

United States Patent [19]

Thompson

[11] Patent Number: **Des. 311,623**

[45] Date of Patent: **** Oct. 23, 1990**

[54] CASSETTE TRAY

[76] Inventor: **James W. Thompson, 28 Jennifer Ct., Mandeville, La. 70448**

[**] Term: **14 Years**

[21] Appl. No.: **237,553**

[22] Filed: **Sep. 29, 1988**

[52] U.S. Cl. **D34/40**

[58] Field of Search **D34/40-46;**
D9/341, 337, 424; 206/198, 387, 561, 564, 557,
506, 510; 220/22.5, 22.3, 20, 22, 306; 211/40;
D3/30.1, 35, 40; 312/9, 10, 15, 17

[56] **References Cited**

U.S. PATENT DOCUMENTS

D. 247,645 3/1978 Woodhall D3/35
D. 260,457 9/1981 Rumble D3/34
3,926,193 8/1976 Dogliotti 220/20 X
4,040,518 8/1977 Carter 220/306 X

4,117,931 10/1978 Berkman 211/40 X
4,695,103 9/1987 MacDonald et al. 312/15 X
4,712,679 12/1987 Lowe 206/387
4,722,453 2/1988 Hamilton 220/22.3

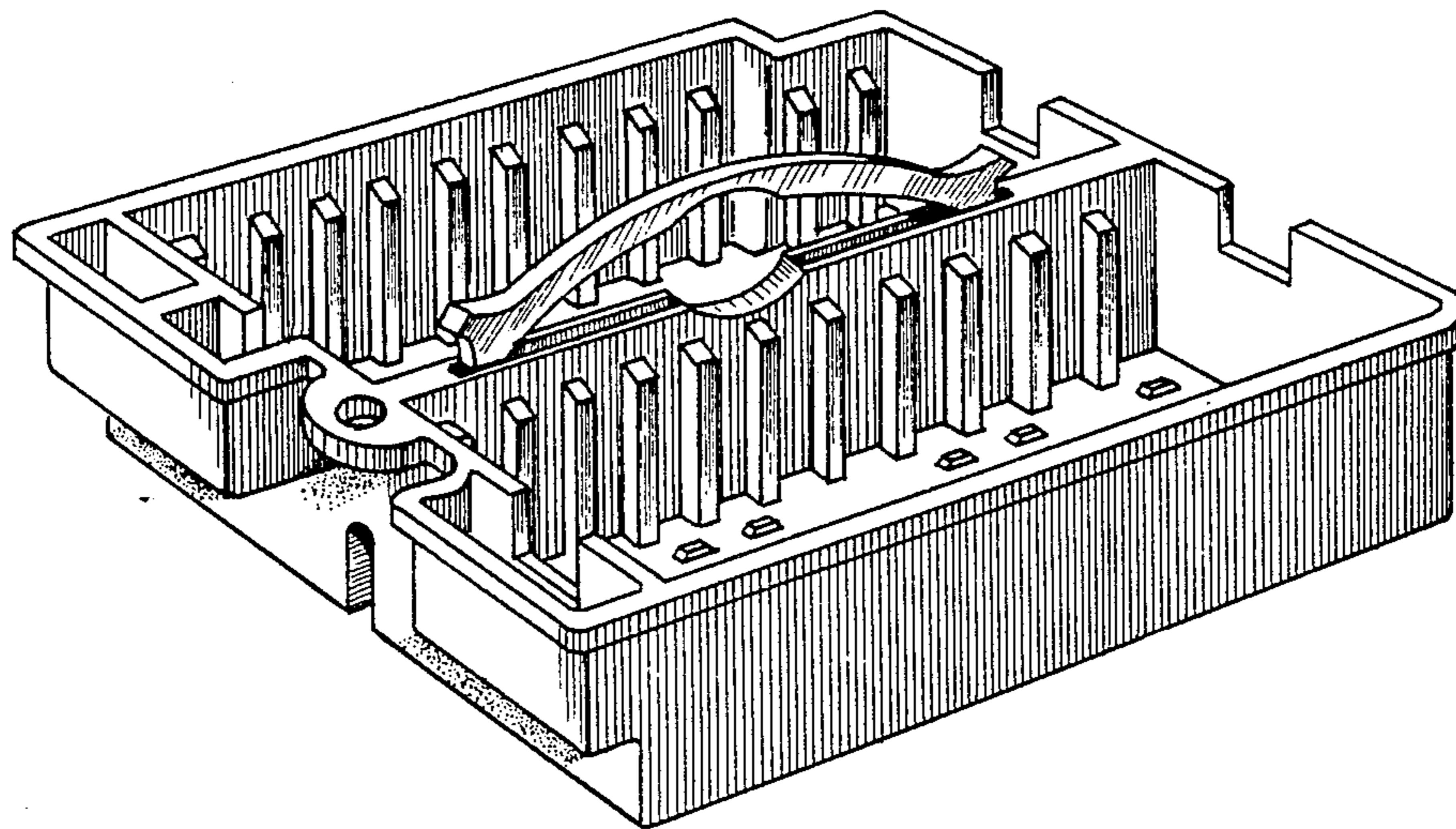
Primary Examiner—Melvin B. Feifer
Assistant Examiner—Prabhakar Deshmukh
Attorney, Agent, or Firm—Keaty & Keaty

[57] **CLAIM**

The ornamental design for a cassette tray, as shown and described.

DESCRIPTION

FIG. 1 is a perspective view of a cassette tray showing my new design;
FIG. 2 is a front view thereof;
FIG. 3 is a rear view thereof;
FIG. 4 is a top view thereof;
FIG. 5 is a side view thereof. The other side of the cassette tray is a mirror image of the view shown in FIG. 5.



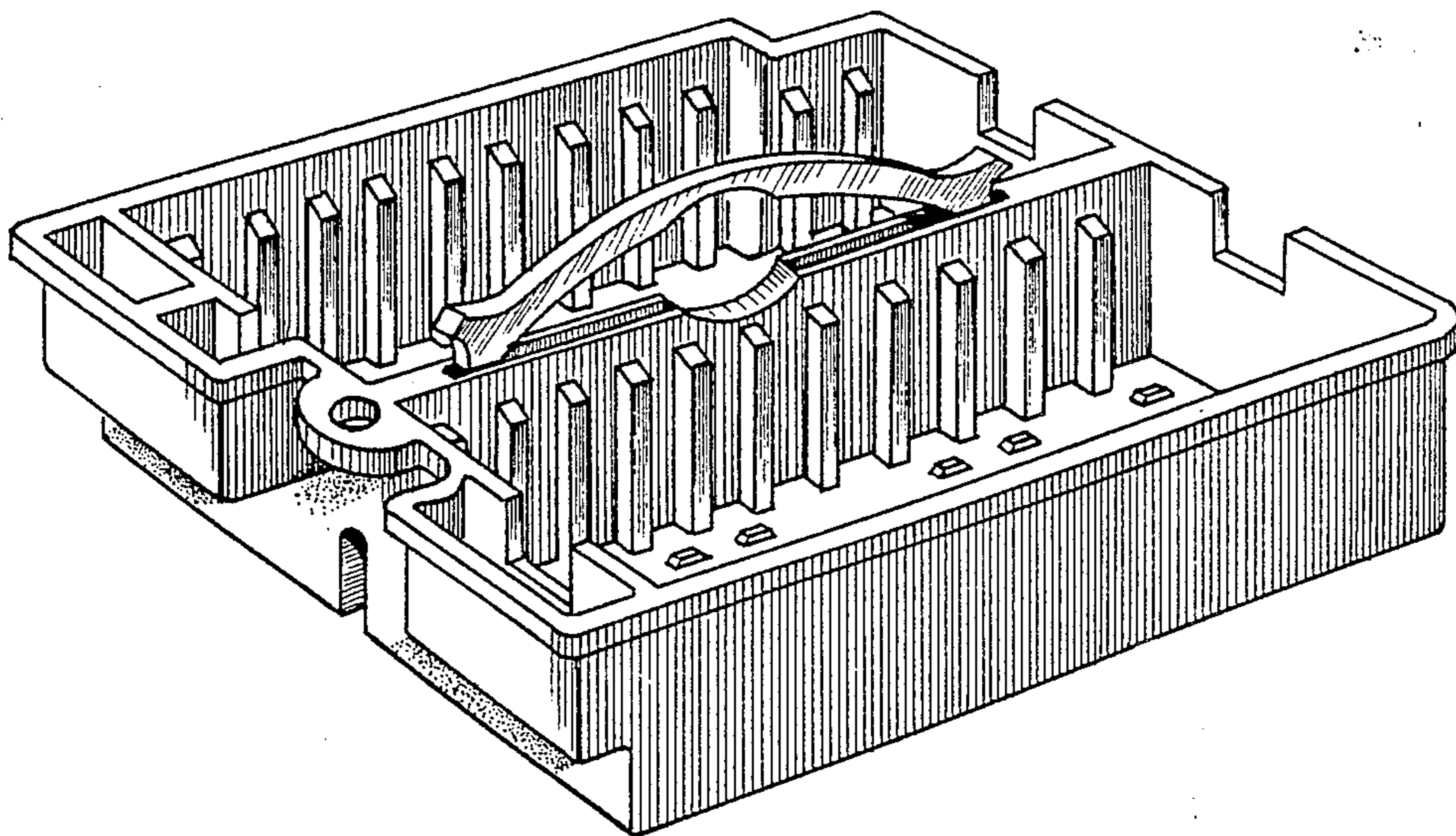


FIG. 1

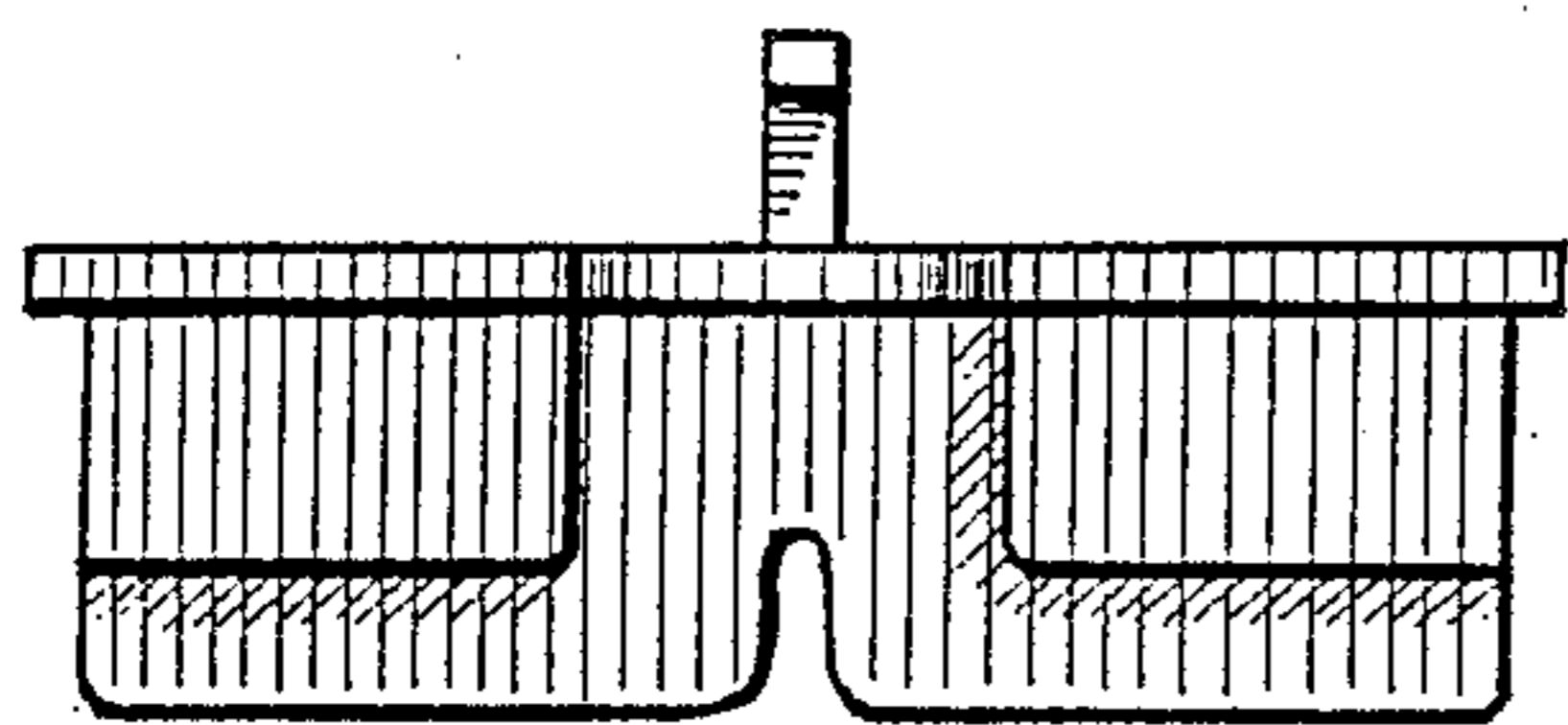


FIG. 2

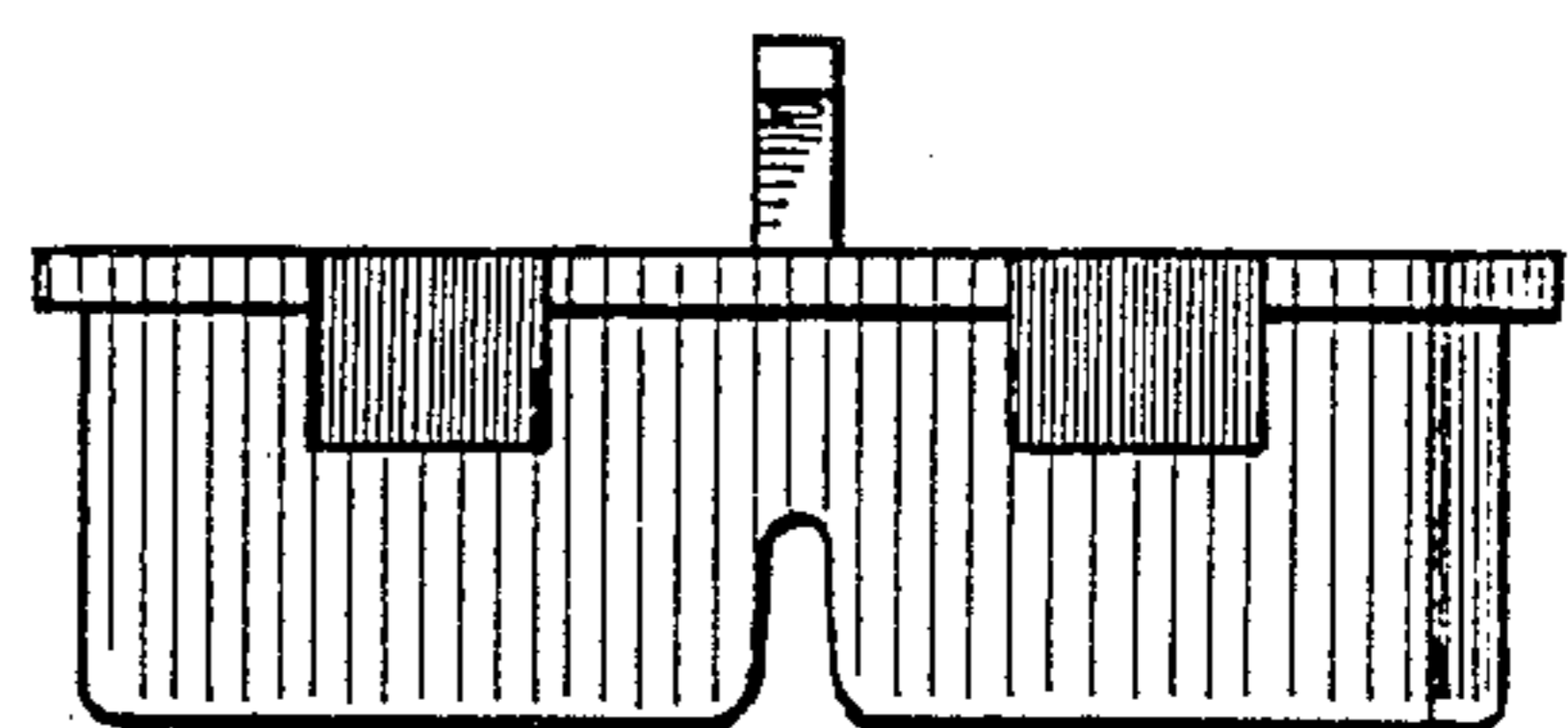


FIG. 3

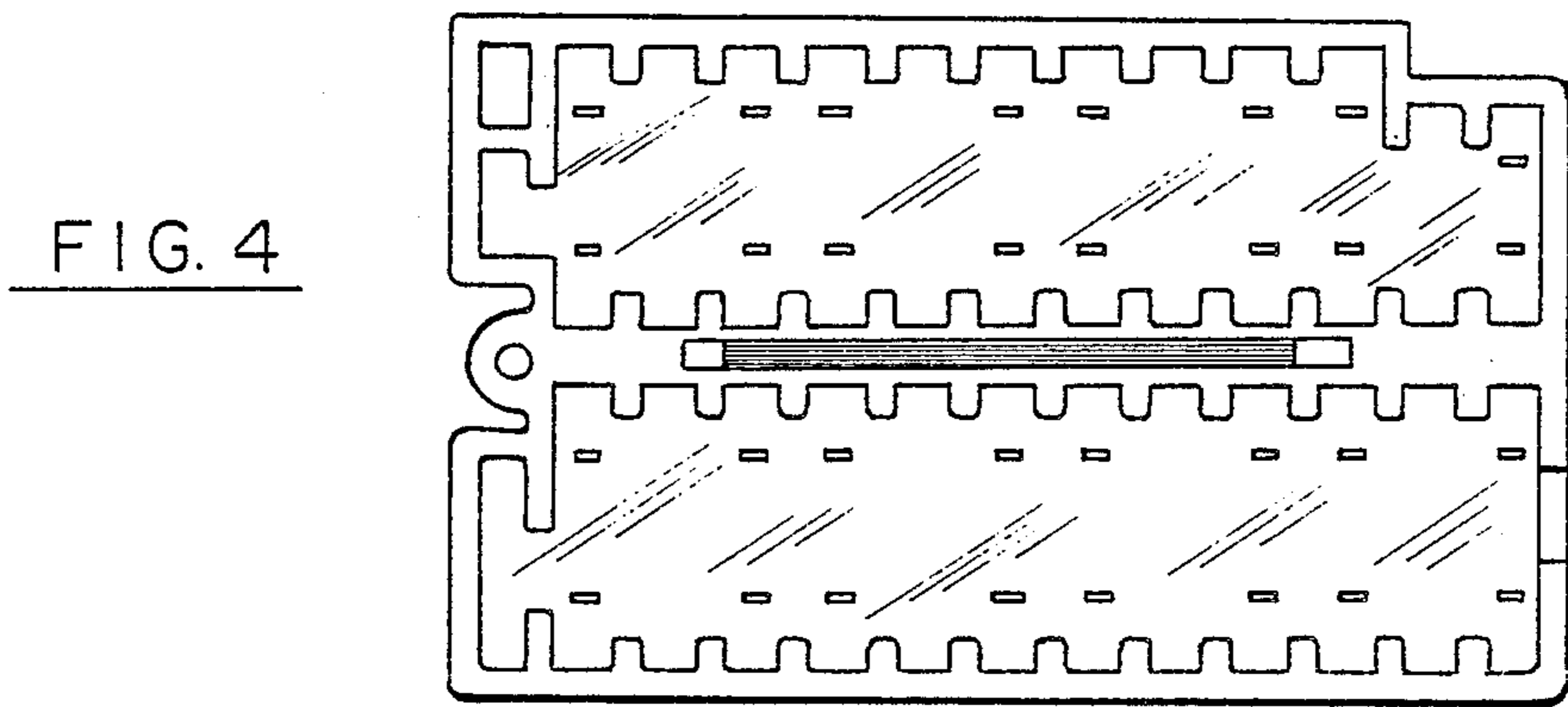


FIG. 4

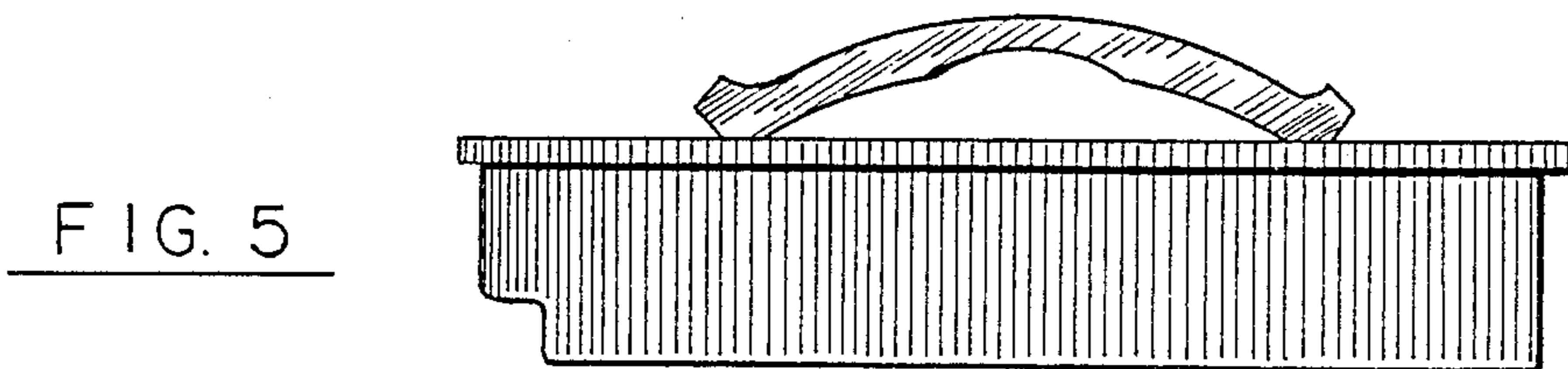


FIG. 5