

[54] **STABLE CART**

[75] **Inventor: John M. Fuller, Winchester, Va.**

[73] **Assignee: Rubbermaid Commercial Products Inc., Winchester, Va.**

[\*\*] **Term: 14 Years**

[21] **Appl. No.: 278,433**

[22] **Filed: Dec. 1, 1988**

[52] **U.S. Cl. .... D34/18**

[58] **Field of Search ..... D34/12, 16, 24, 25, D34/26; 280/47.23, 47.18, 47.26, 47.27, 652**

[56] **References Cited**

**U.S. PATENT DOCUMENTS**

- D. 175,069 7/1955 Gandola .
- 2,102,684 12/1937 Dorward ..... 280/47.23
- 3,479,048 11/1969 Carlson .
- 3,950,004 4/1976 Olsson .
- 4,335,897 6/1982 Muller, Jr. .

- 4,341,393 7/1982 Gordon et al. .
- 4,635,956 1/1987 Morrissette .

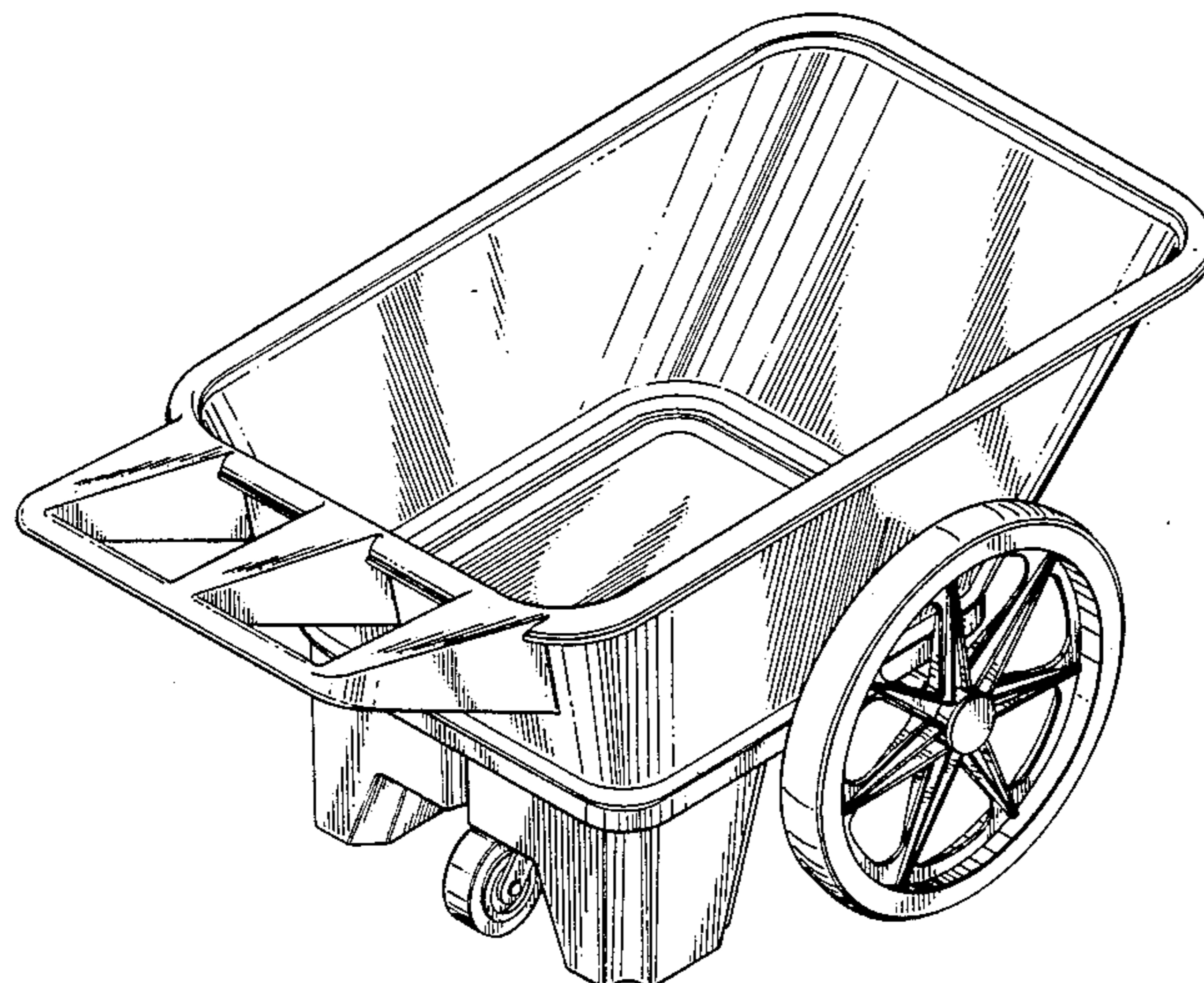
*Primary Examiner*—Wallace R. Burke  
*Assistant Examiner*—Kay H. Chin  
*Attorney, Agent, or Firm*—Richard B. O’Planick

[57] **CLAIM**

The ornamental design for a stable cart, as shown and described.

**DESCRIPTION**

FIG. 1 is a rear perspective view of a stable cart embodying my new design;  
FIG. 2 is a front elevational view thereof;  
FIG. 3 is a rear elevational view thereof;  
FIG. 4 is a top plan view thereof;  
FIG. 5 is a bottom plan view thereof;  
FIG. 6 is a side elevational view thereof; the opposite side being a mirror image;  
FIG. 7 is a transverse cross-sectional view of the stable cart taken along the line 7—7 of FIG. 2.



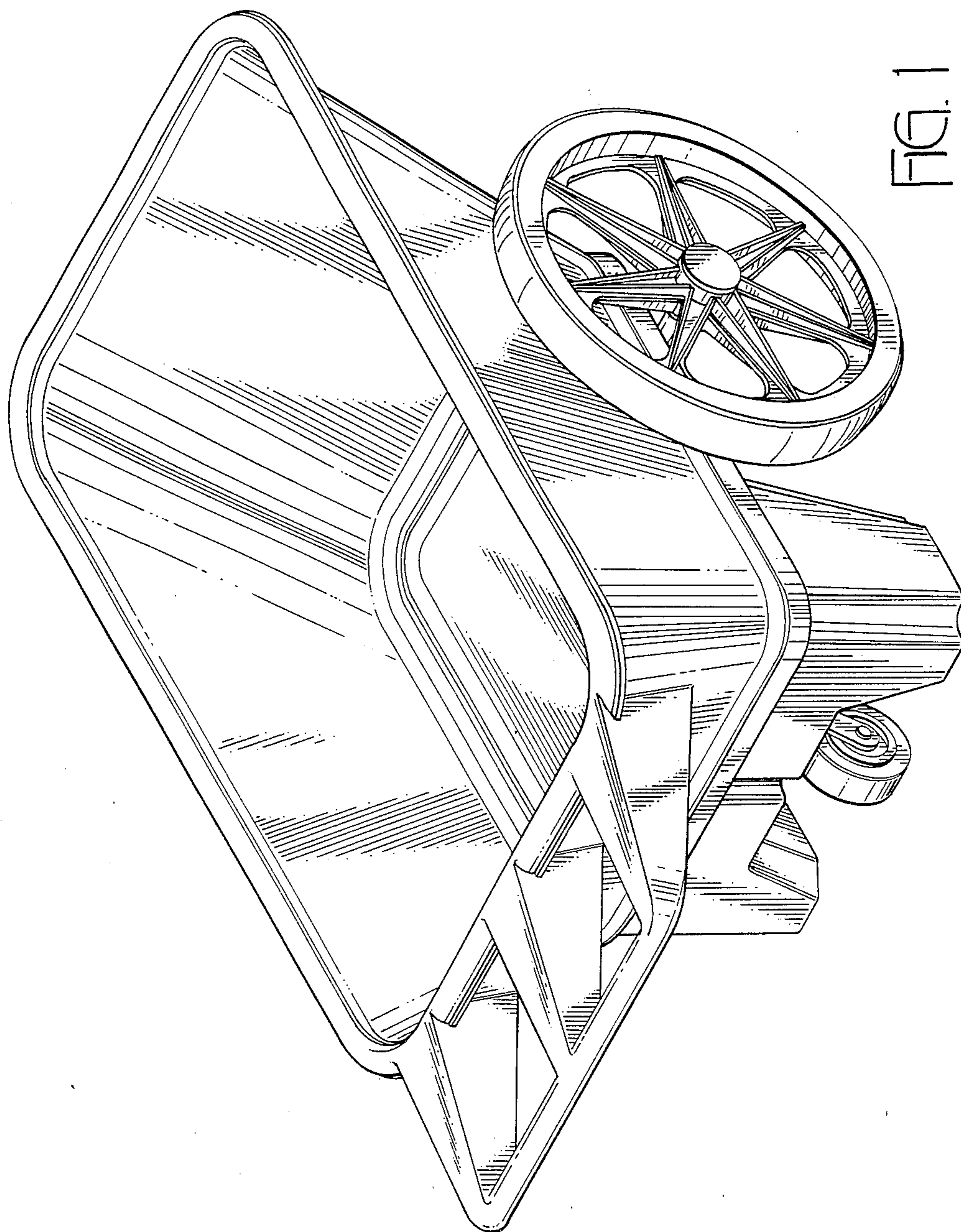


FIG. 1

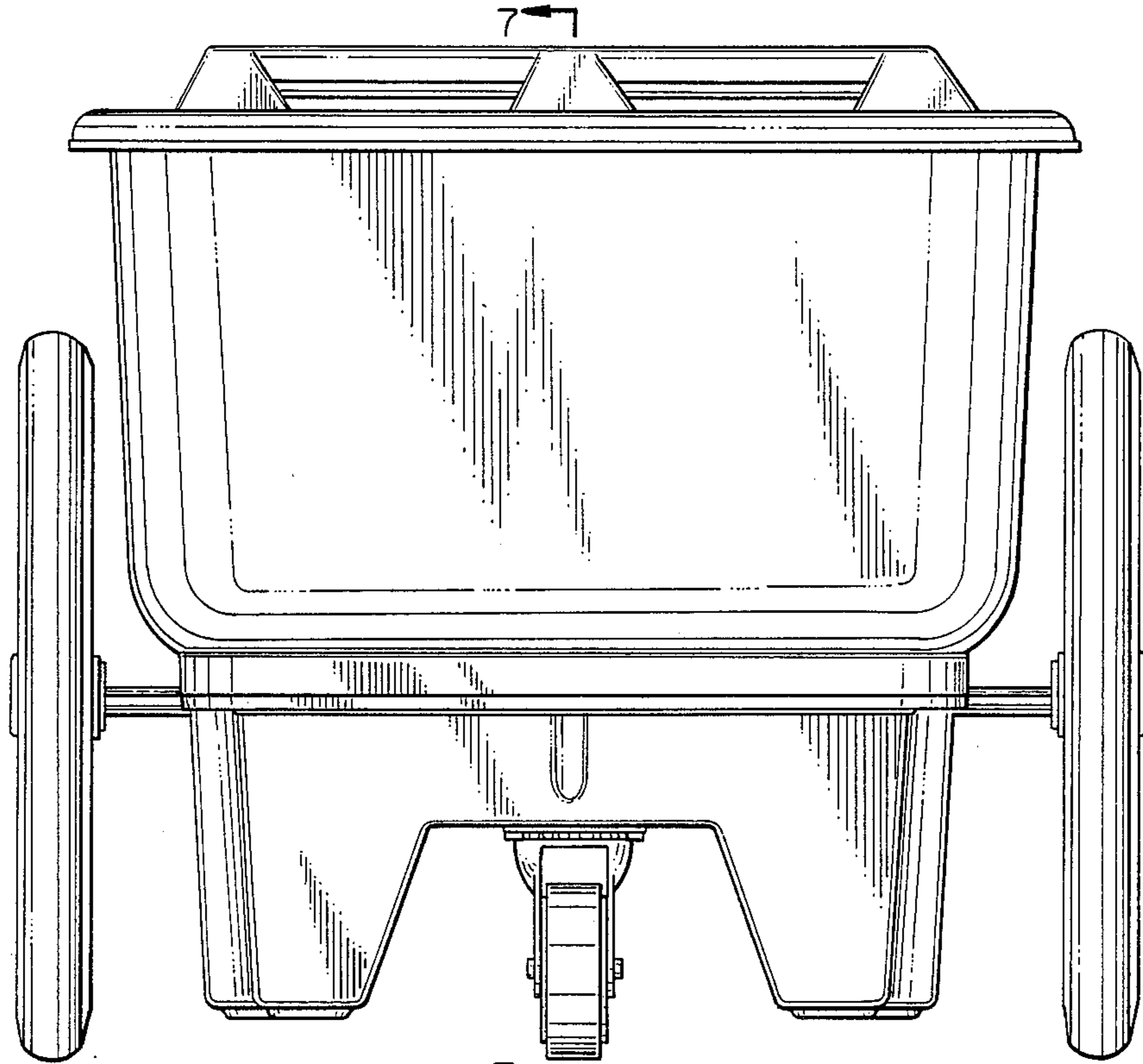


FIG. 2

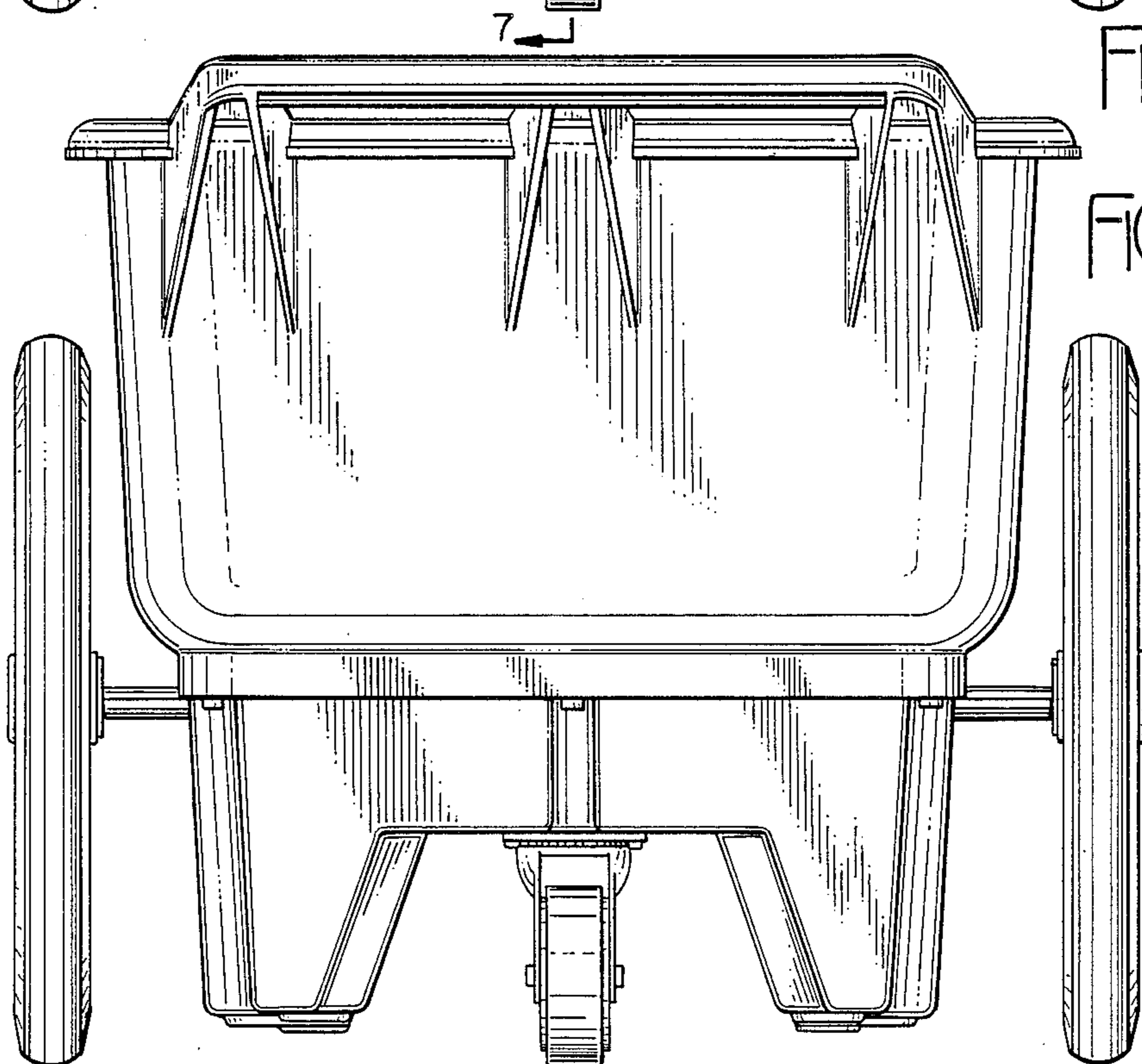


FIG. 3

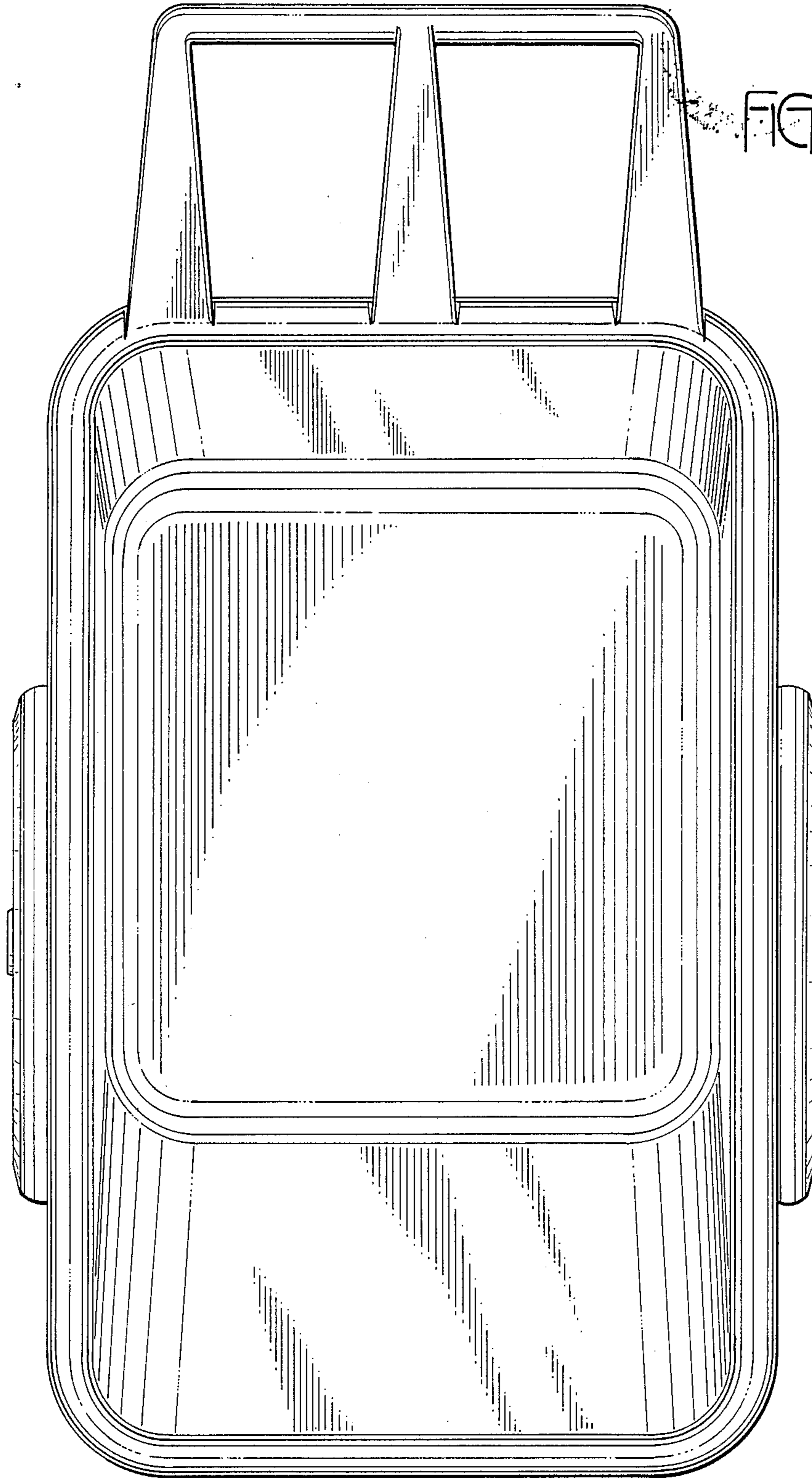


FIG. 4

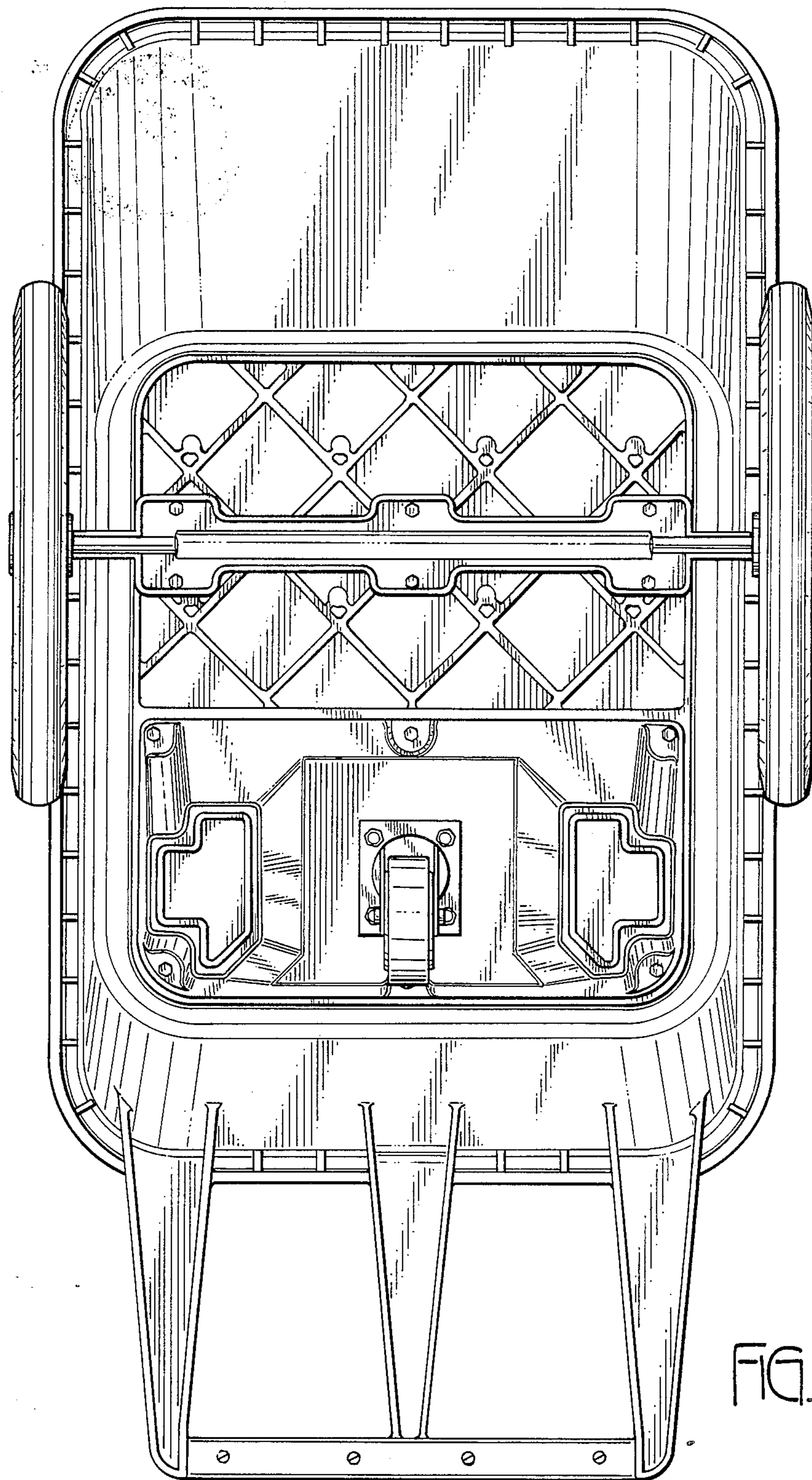


FIG. 5

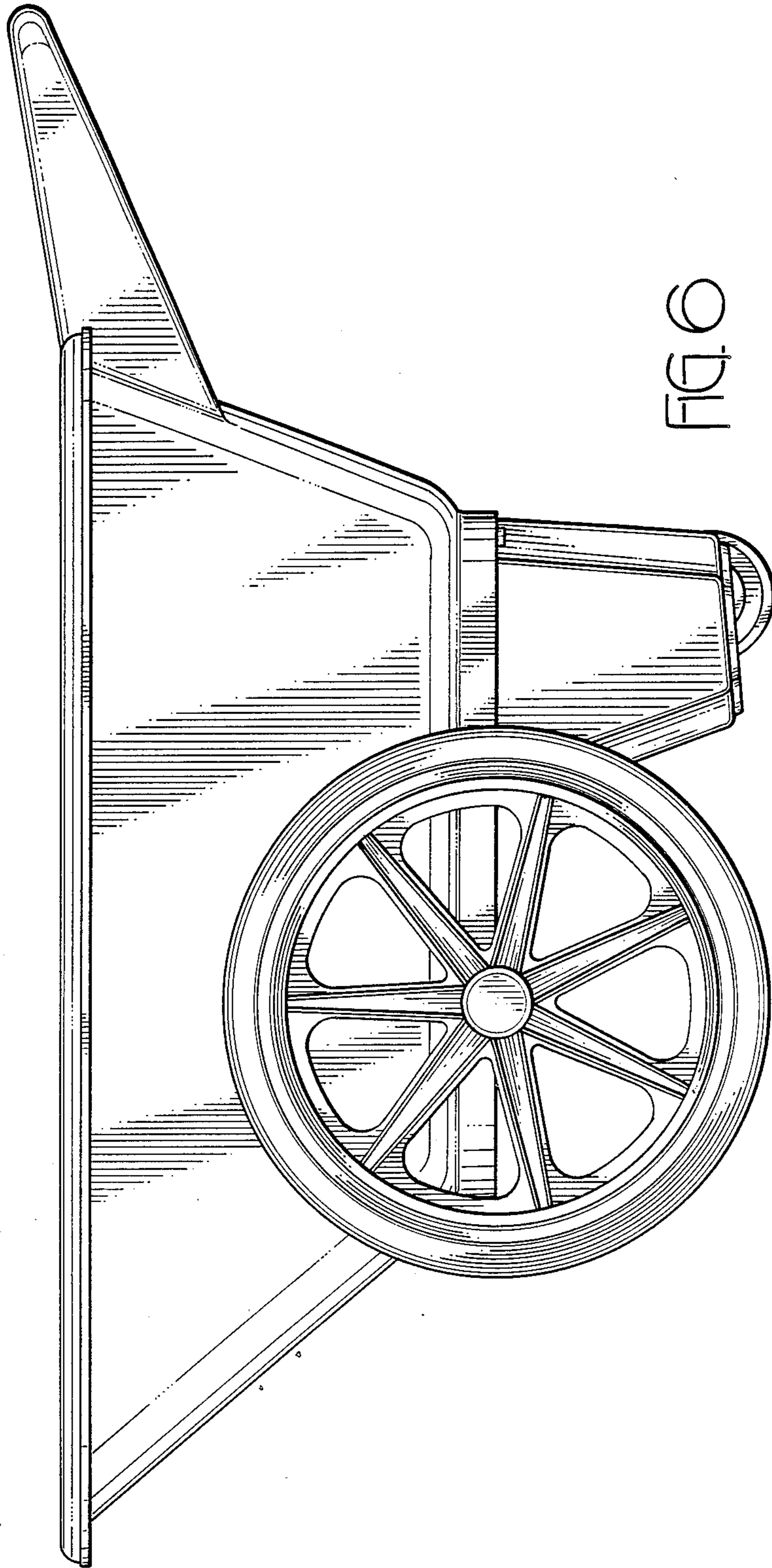


FIG. 6

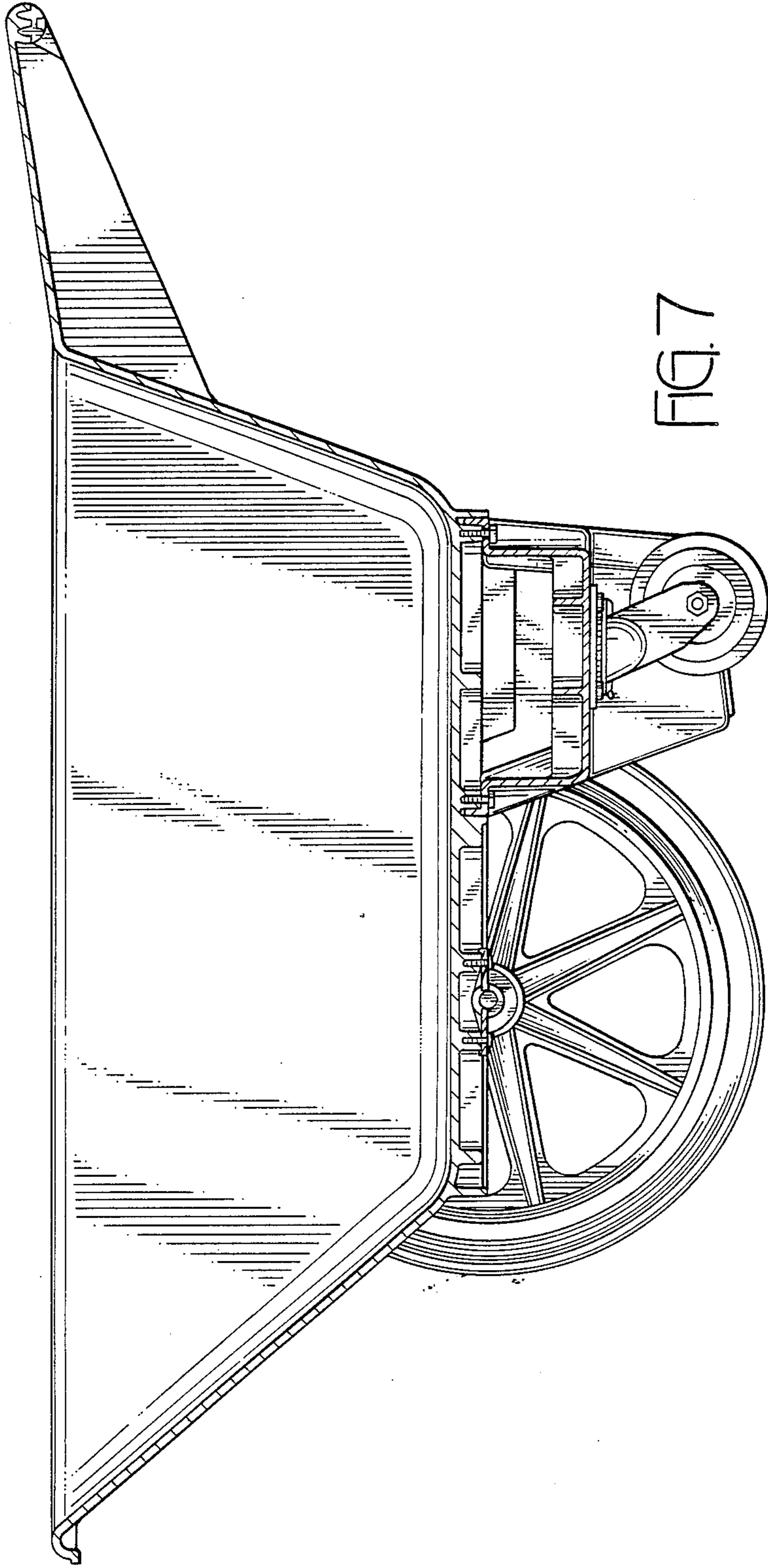


FIG. 7