

[54] **VEHICLE SUPPORTED DUMP CART**

[76] Inventor: **Mark V. Gravagna**, Rte. 4, Box 167,
DeSoto, Mo. 63020

[**] Term: **14 Years**

[21] Appl. No.: **56,803**

[22] Filed: **Jun. 1, 1987**

[52] U.S. Cl. **D34/3; D12/15**

[58] Field of Search **D34/1, 3; 220/1 T;**
294/68, 26, 68.1, 68.2; 414/422, 410

[56] **References Cited**

U.S. PATENT DOCUMENTS

D. 250,691	1/1979	Horpestad	D34/3
D. 300,069	2/1989	Abel	D34/3
3,024,928	3/1962	Freaney	414/410
4,705,446	11/1987	Miller	414/422
4,844,282	7/1989	Coff	220/1 T

FOREIGN PATENT DOCUMENTS

2223234 11/1973 Fed. Rep. of Germany 220/1 T

Primary Examiner—Wallace R. Burke

Assistant Examiner—Kay H. Chin

Attorney, Agent, or Firm—Kalish & Gilster

[57] **CLAIM**

The ornamental design for a vehicle supported dump cart, as shown and described.

DESCRIPTION

FIG. 1 is a side elevational view of a vehicle supported dump cart showing my new design the opposite side view being a mirror image of that shown;

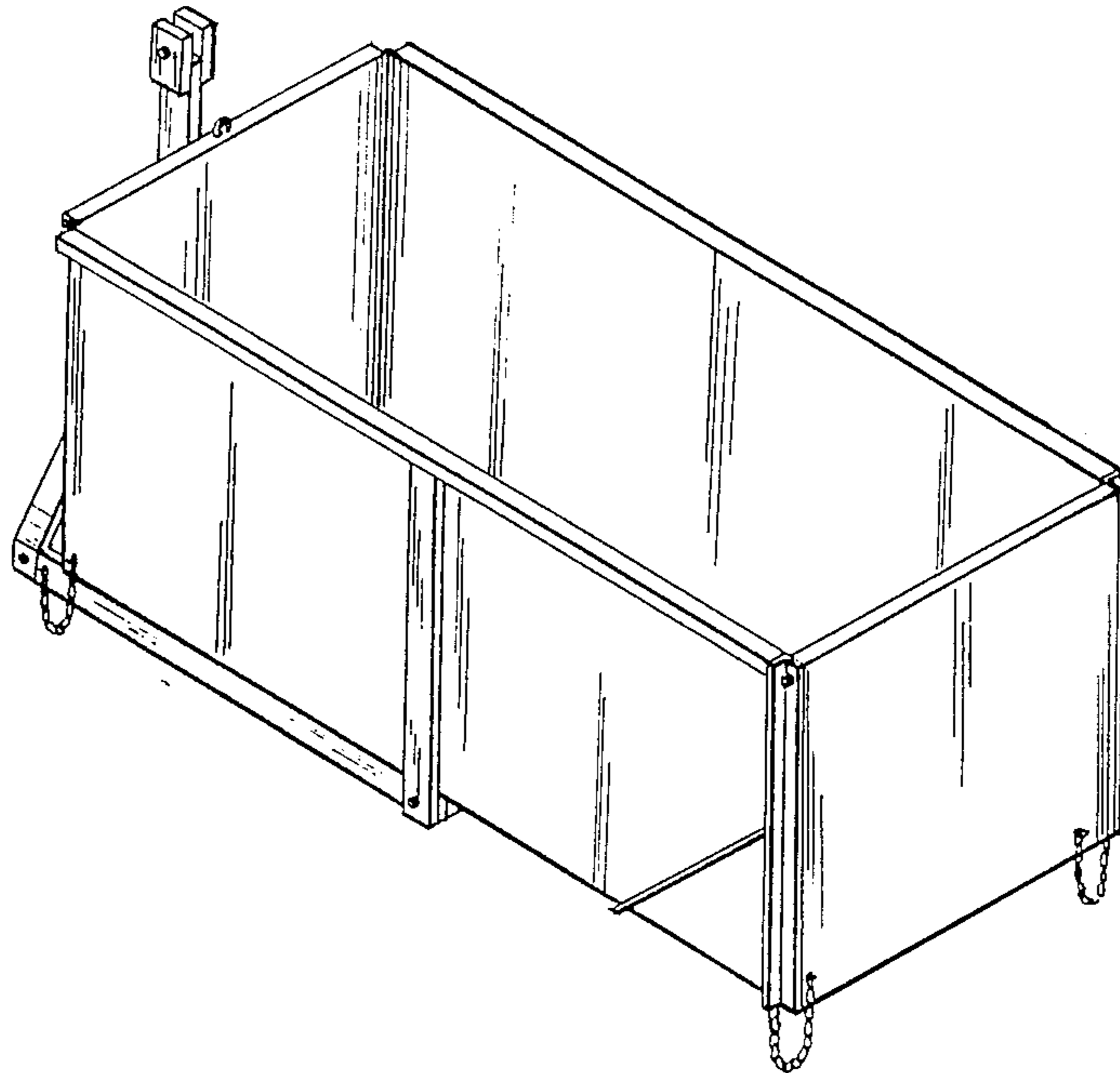
FIG. 2 is a top plan view thereof;

FIG. 3 is a rear elevational view thereof;

FIG. 4 is a bottom plan view thereof;

FIG. 5 is a front elevational view thereof;

FIG. 6 is a top perspective view thereof.



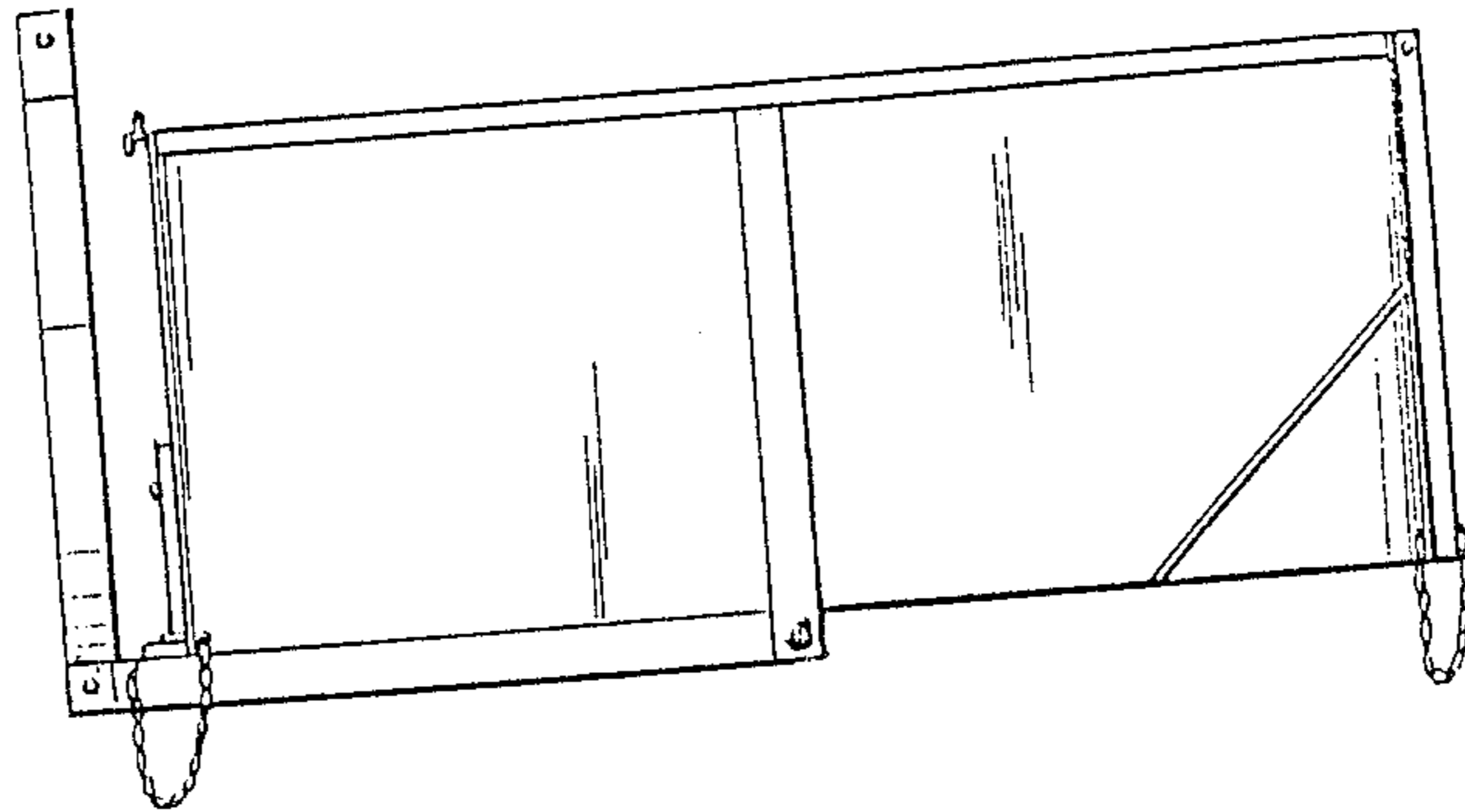


FIG. 1

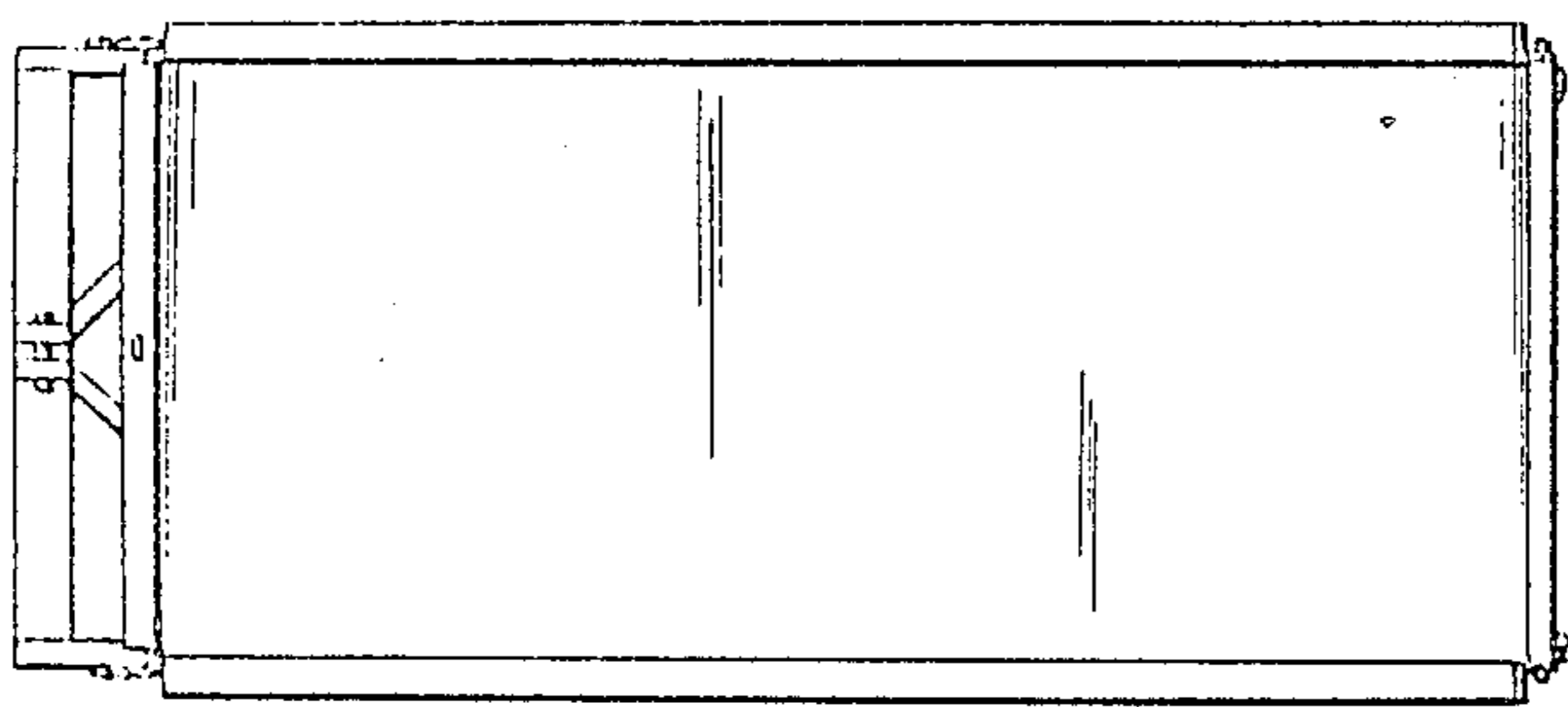


FIG. 2

FIG. 3

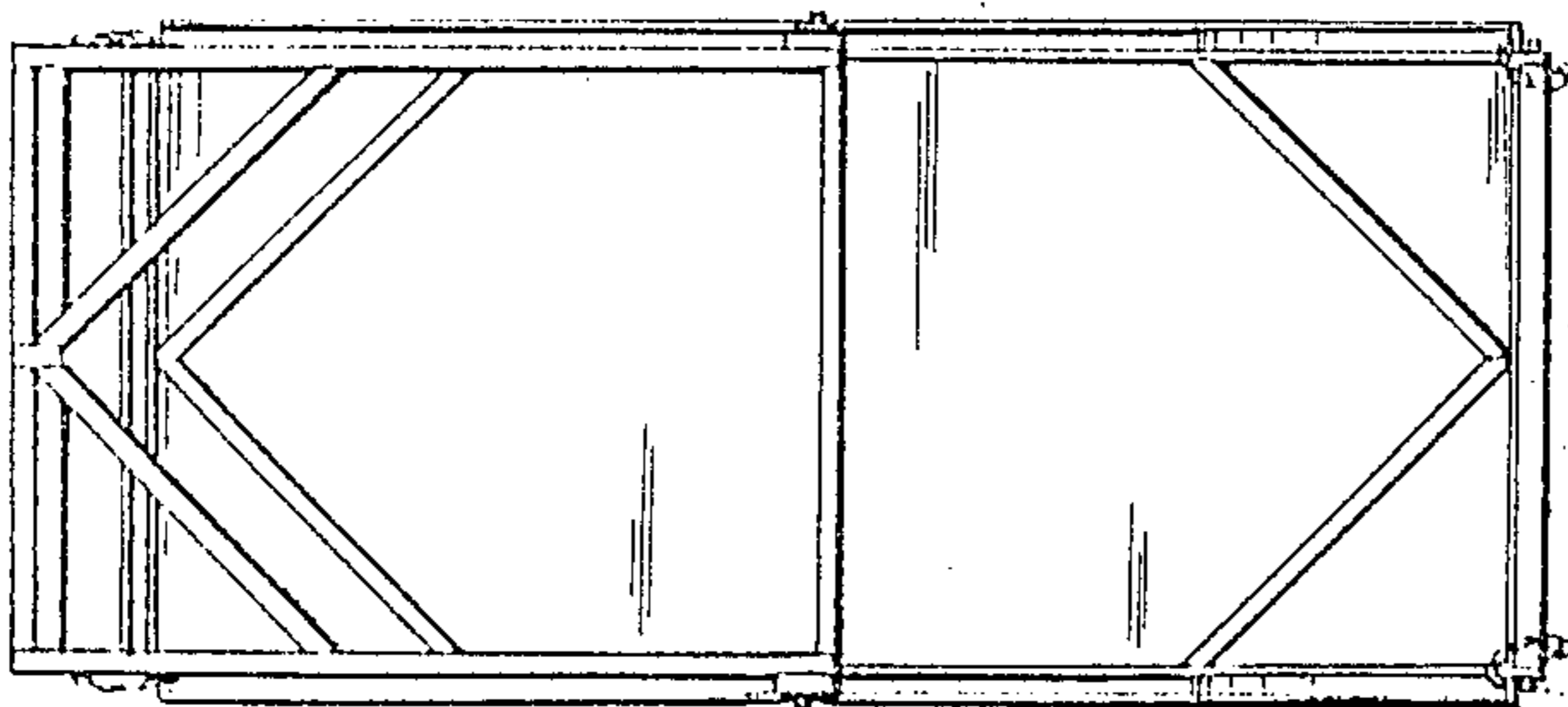
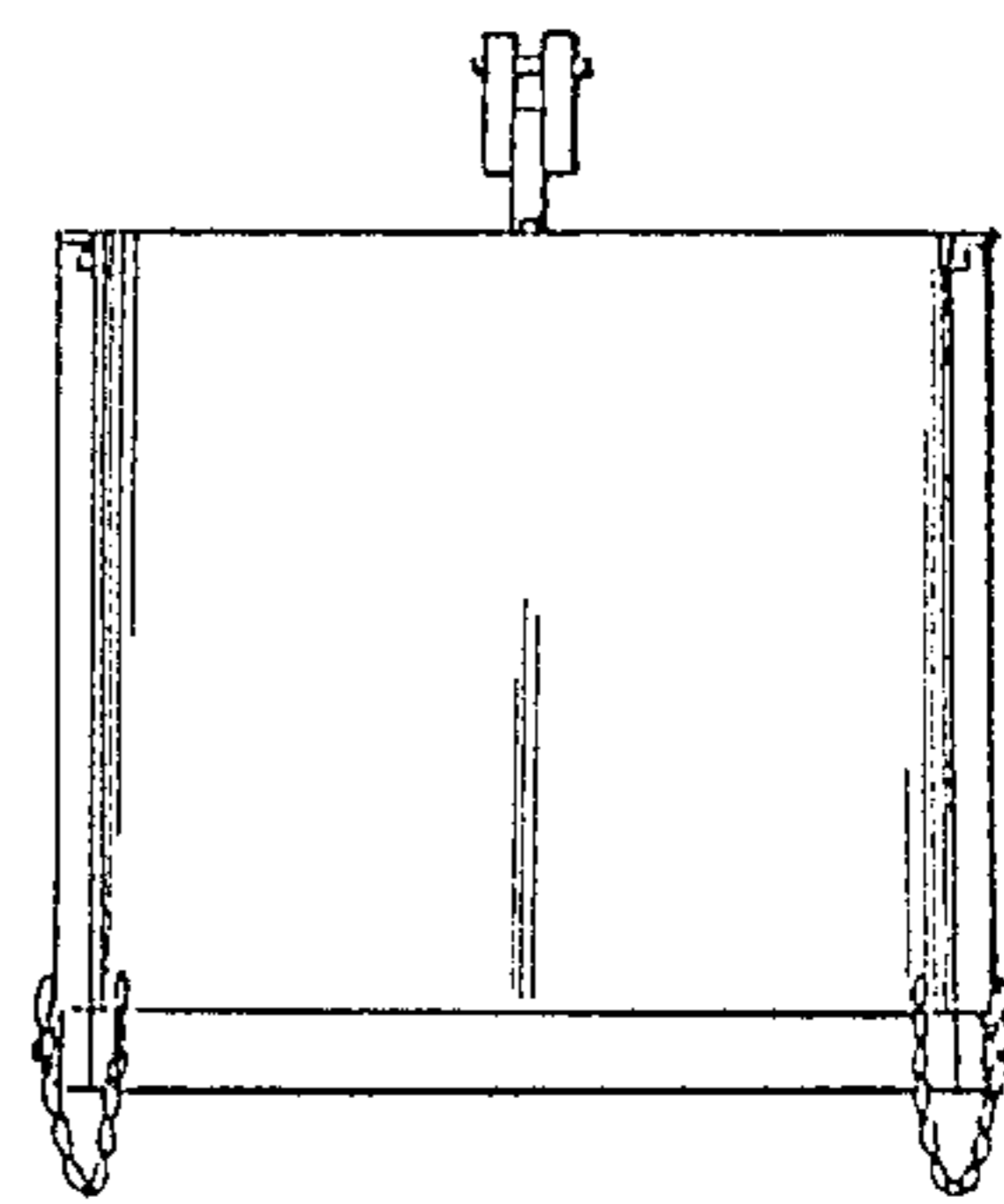
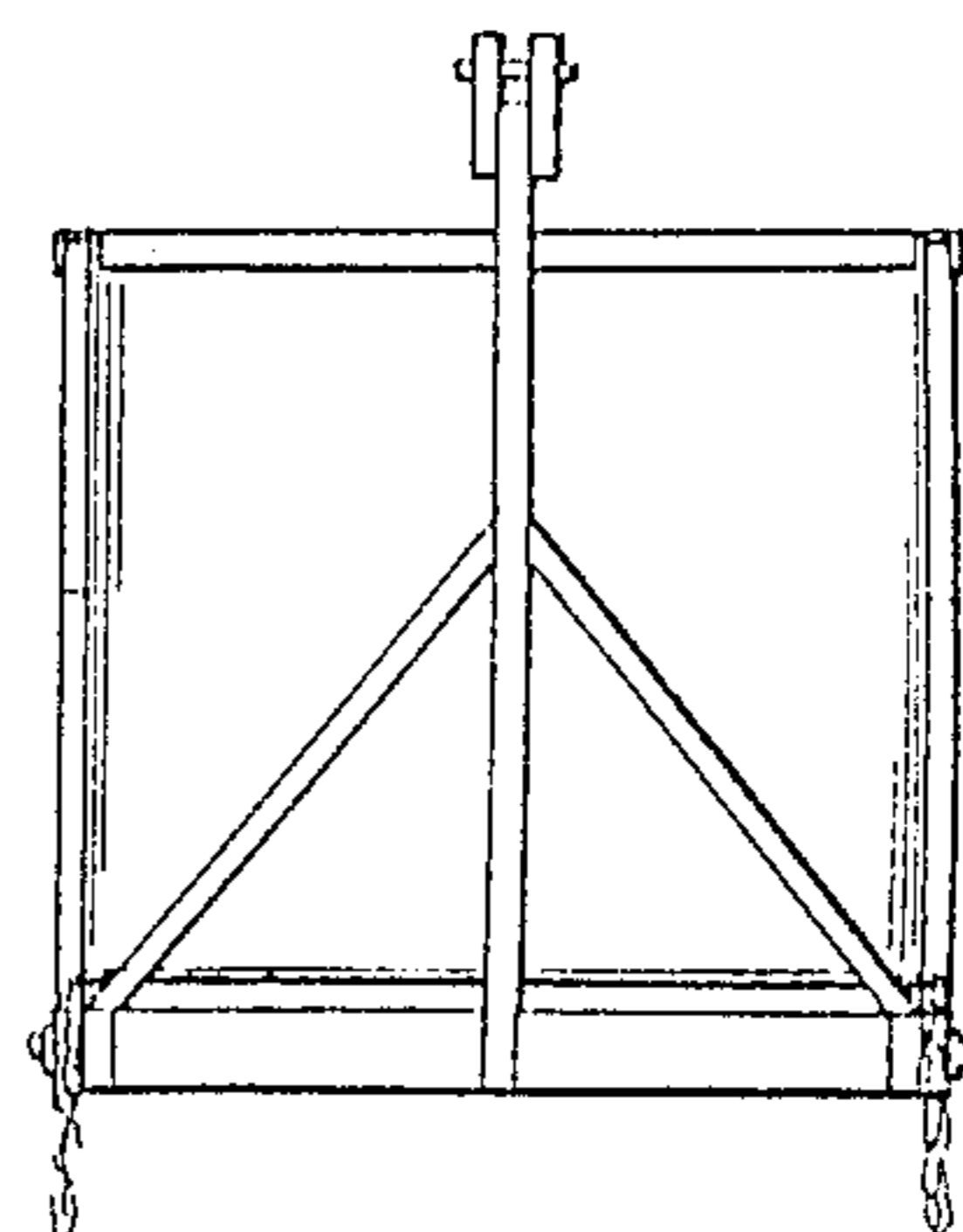


FIG. 4

FIG. 5



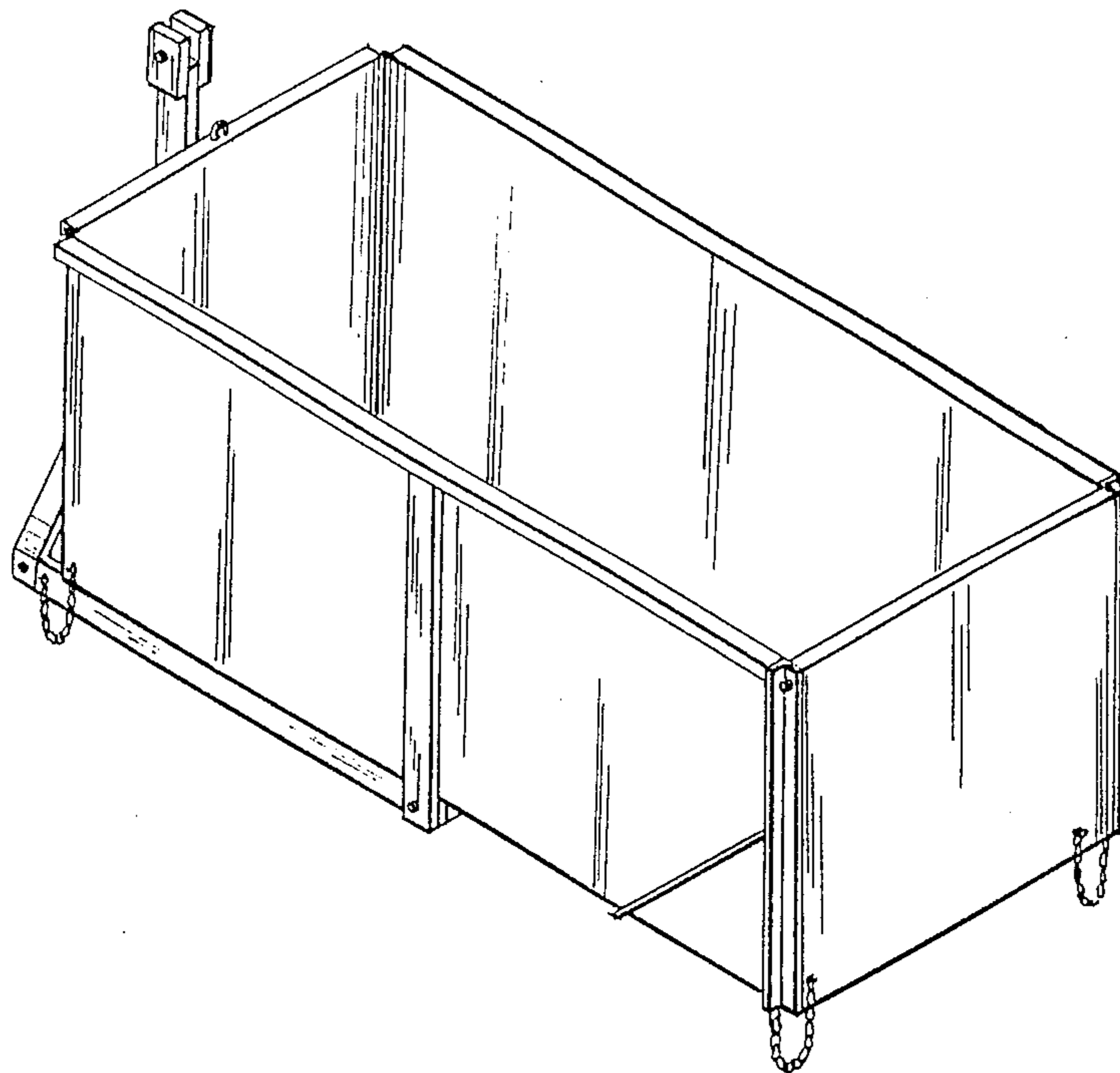


FIG. 6