

[54] **IRONING ACCESSORY FOR ATTACHMENT TO A HAIR BLOW DRYER**

[76] **Inventor: Paul Diamond, 23434 Sagebrush Way, Newhall, Calif. 91321**

[**] **Term: 14 Years**

[21] **Appl. No.: 139,691**

[22] **Filed: Dec. 28, 1987**

[52] **U.S. Cl. D32/68; D28/18**

[58] **Field of Search D32/68-73; D28/18; 38/69, 74-75; 219/245, 366-371, 373**

[56] **References Cited**

U.S. PATENT DOCUMENTS

D. 295,095 4/1988 Hsiang D32/69
4,524,263 6/1985 Yamac 38/69 X

OTHER PUBLICATIONS

Hong Kong Household, 6/85; Mini-Hair Dryer with Iron Attachment, top of p. 55.

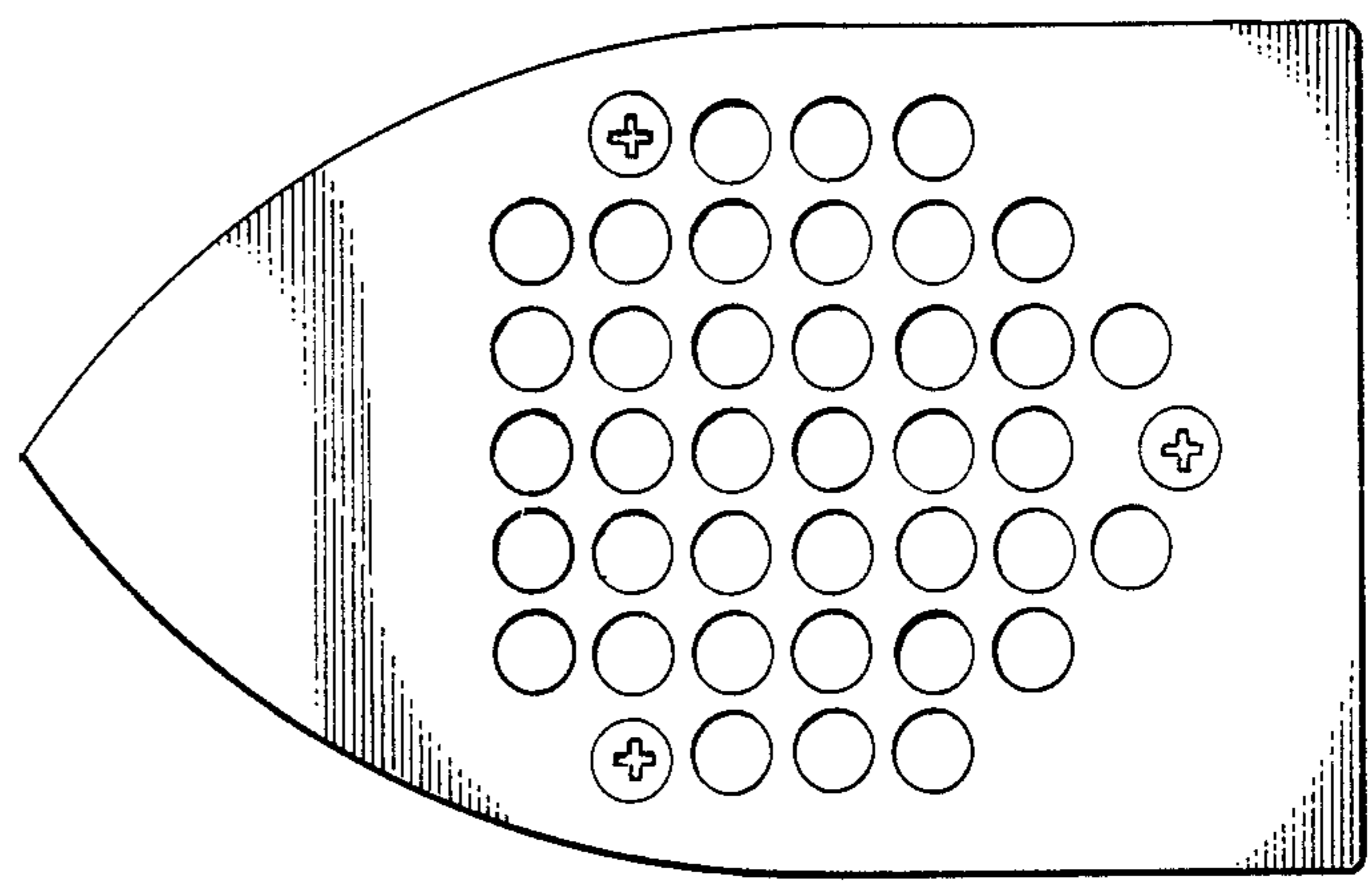
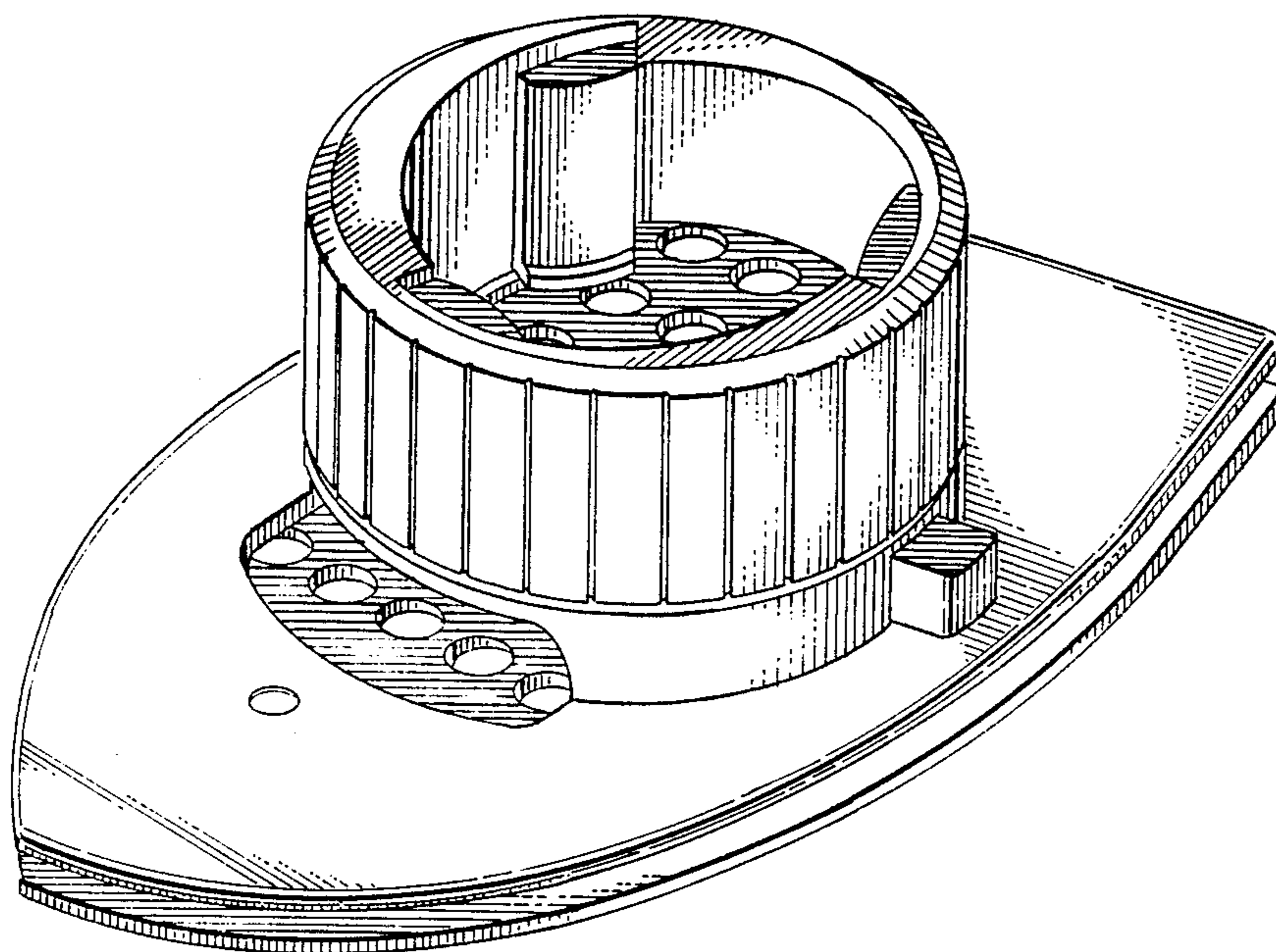
Primary Examiner—Wallace R. Burke
Assistant Examiner—Lavone D. Tabor
Attorney, Agent, or Firm—Roger A. Marrs

[57] **CLAIM**

The ornamental design for ironing accessory for attachment to a hair blow dryer, as shown.

DESCRIPTION

FIG. 1 is a top, front and side perspective view of an ironing accessory for attachment to a hair blow dryer showing my new design;
FIG. 2 is a reduced top plan view thereof;
FIG. 3 is a bottom plan view thereof;
FIG. 4 is a reduced elevational view of the side opposite that shown in FIG. 1; and
FIG. 5 is a rear elevational view thereof.



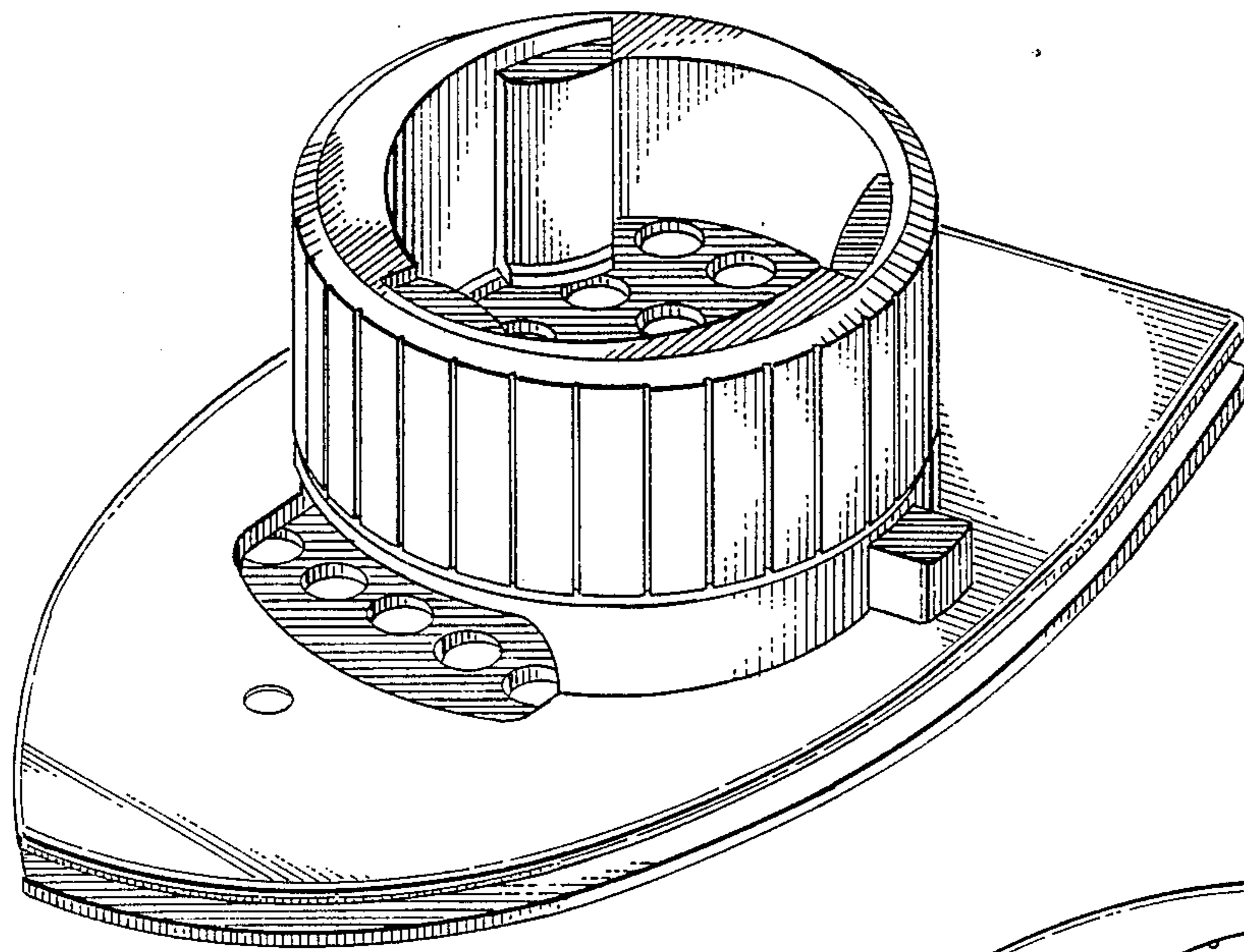


FIG. 1.

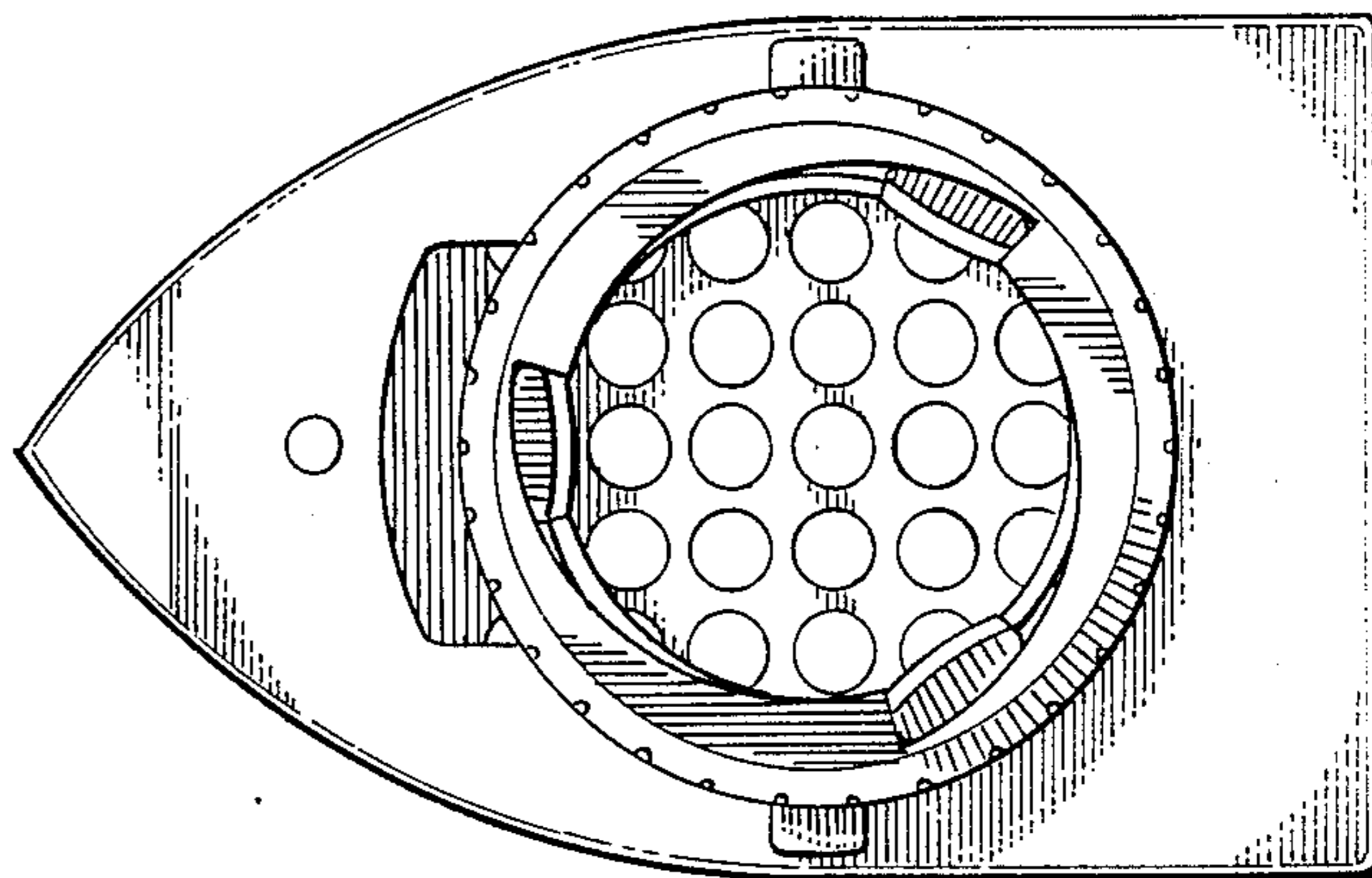


FIG. 2.

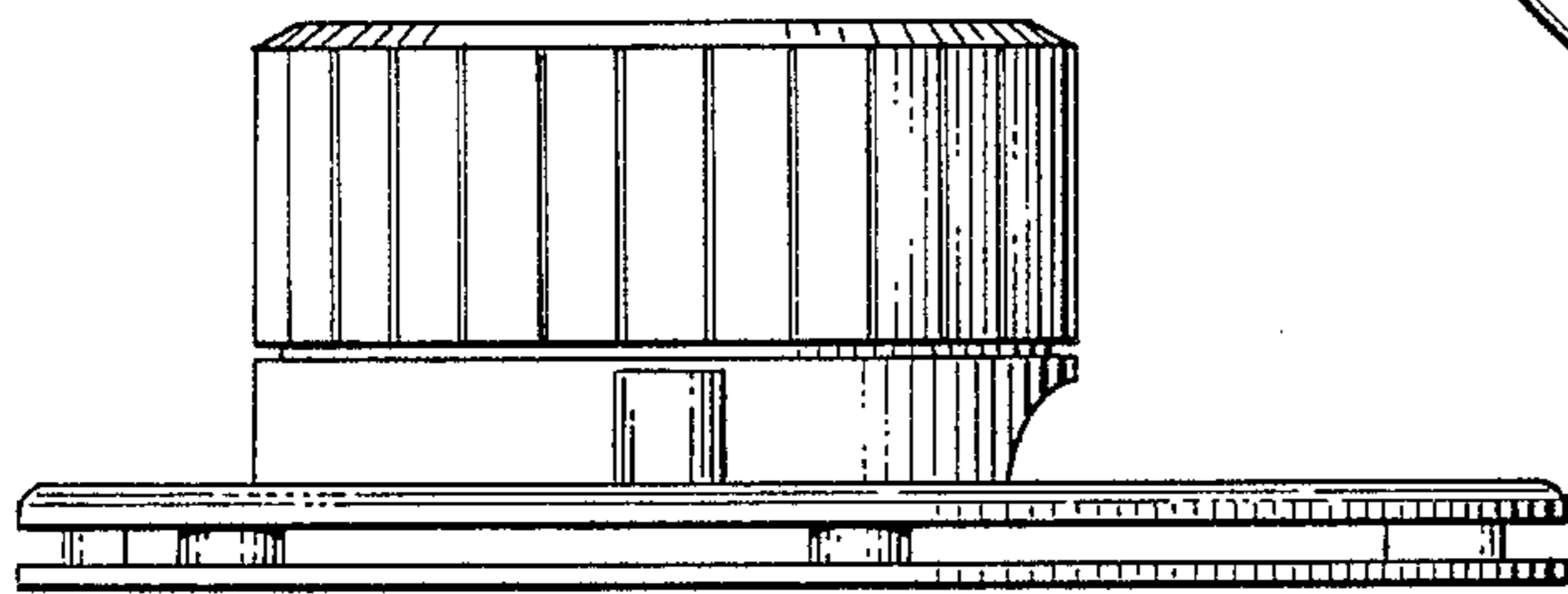


FIG. 4.

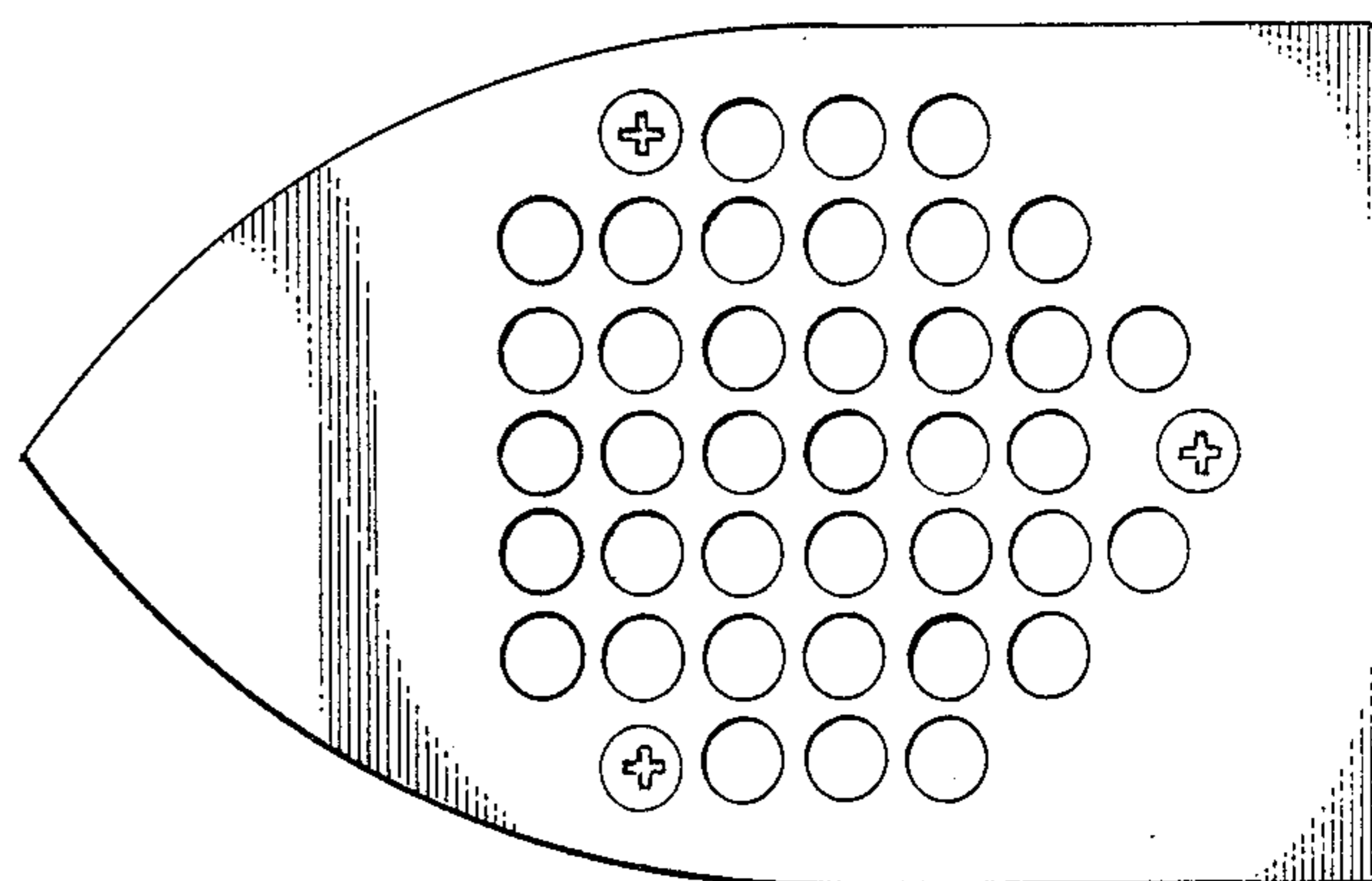


FIG. 3. B11

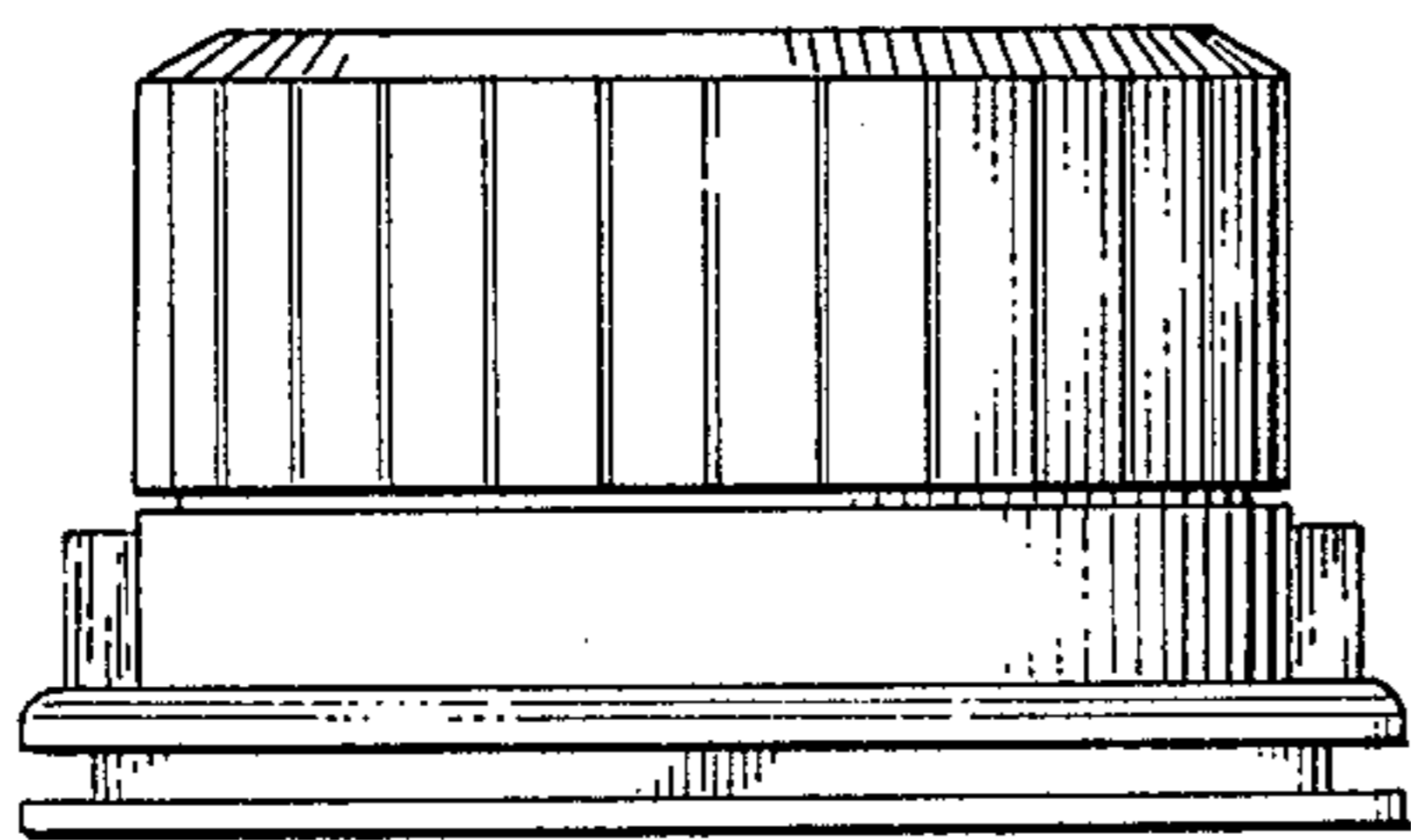


FIG. 5.