

# United States Patent [19]

Hunts

[11] Patent Number: **Des. 311,616**

[45] Date of Patent: **\*\* Oct. 23, 1990**

[54] **VACUUM CLEANER HOSE ATTACHMENT**

[76] Inventor: **Rick E. Hunts, 885 Barsby, Vista, Calif. 92083**

[\*\*] Term: **14 Years**

[21] Appl. No.: **90,594**

[22] Filed: **Aug. 28, 1987**

[52] U.S. Cl. .... **D32/32**

[58] Field of Search ..... **15/410, 415 R, 415 A, 15/418-422; D32/25, 31-33, 1, 17-18**

[56] **References Cited**

### U.S. PATENT DOCUMENTS

D. 239,243 3/1976 Hachtmann et al. .... D32/32  
D. 264,139 4/1982 Pearman, Jr ..... D32/33  
D. 266,962 11/1982 Hachtmann et al. .... D32/33  
4,074,387 2/1978 Avato et al. .... 15/322

4,083,077 4/1978 Knight et al. .... 15/322  
4,649,594 3/1987 Grave ..... 15/332

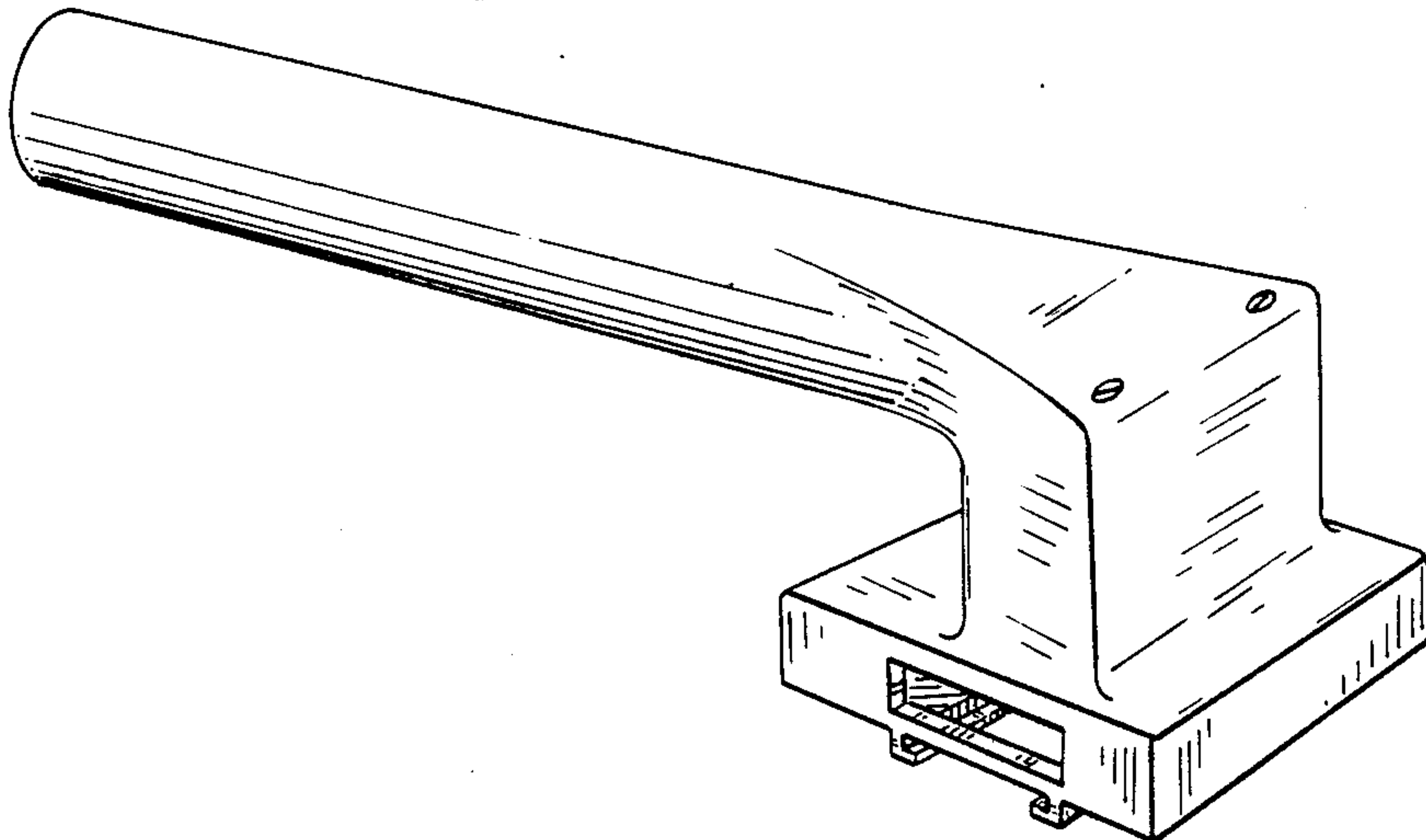
*Primary Examiner*—A. Hugo Word  
*Assistant Examiner*—Ruth McInroy  
*Attorney, Agent, or Firm*—Henri J. A. Charmasson

[57] **CLAIM**

The ornamental design for a vacuum cleaner hose attachment, as shown and described.

### DESCRIPTION

FIG. 1 is a perspective view of a vacuum cleaner hose attachment showing my new design; FIG. 2 is a bottom plan view thereof; FIG. 3 is a left end elevational view thereof; FIG. 4 is a top plan view thereof; and FIG. 5 is a front elevational view thereof, the rear view being a mirror image.



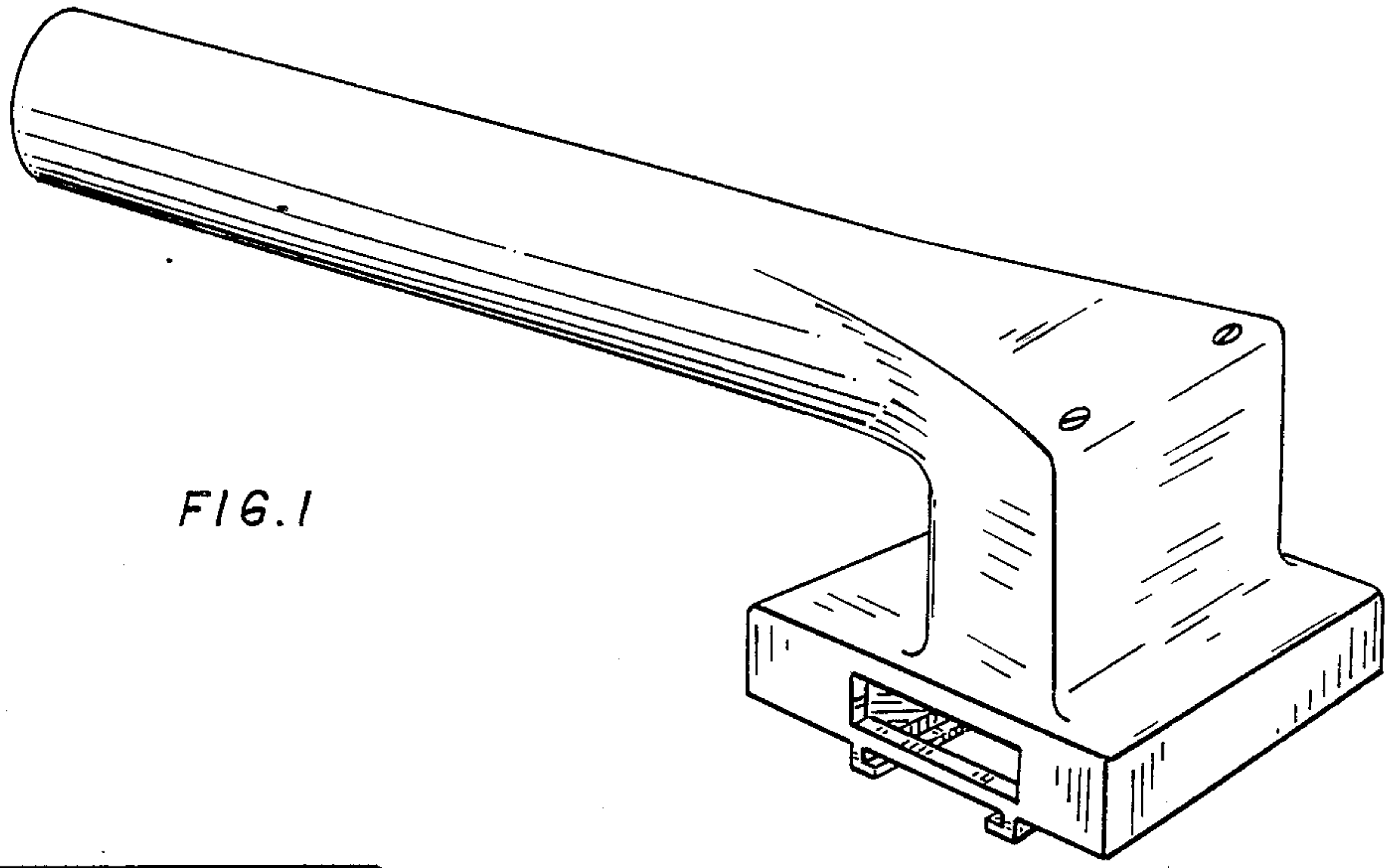


FIG. 1

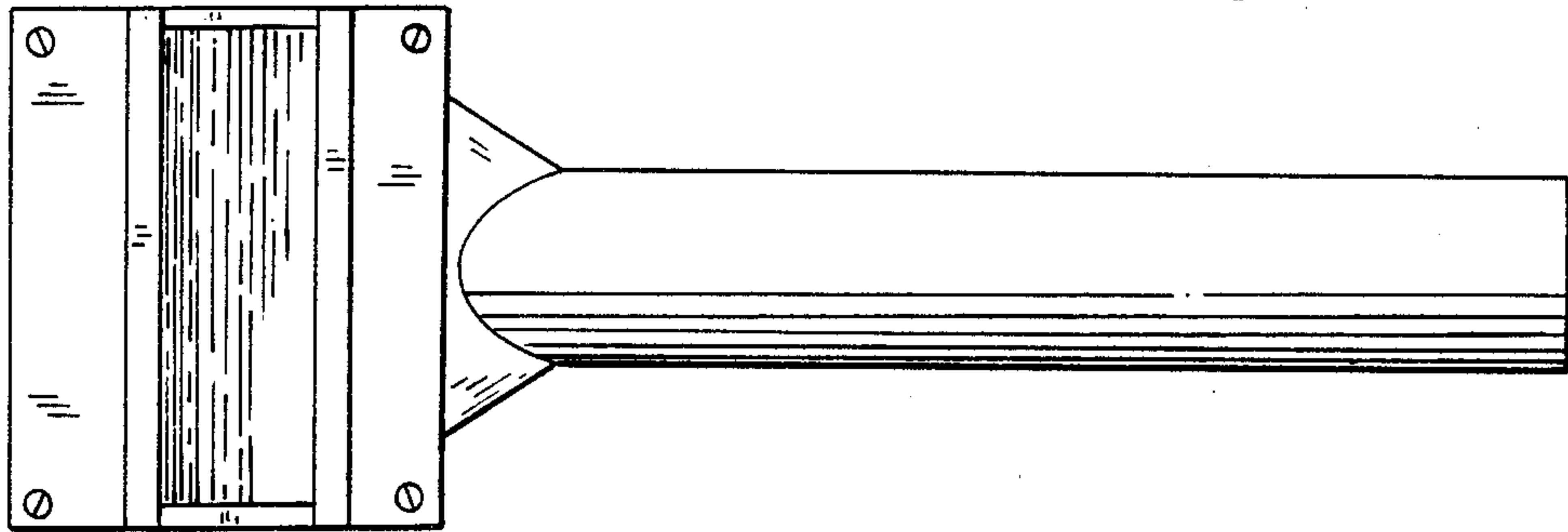


FIG. 2

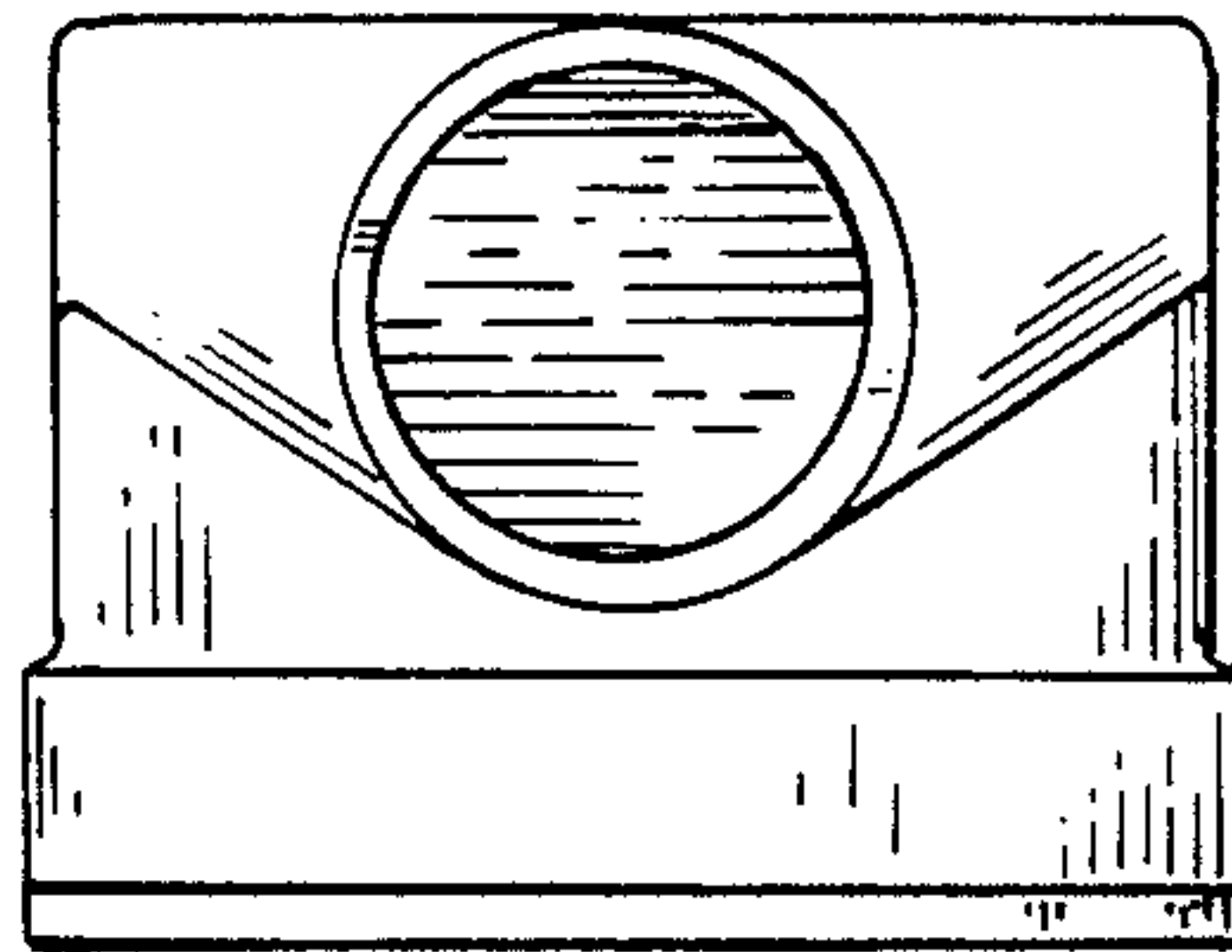


FIG. 3

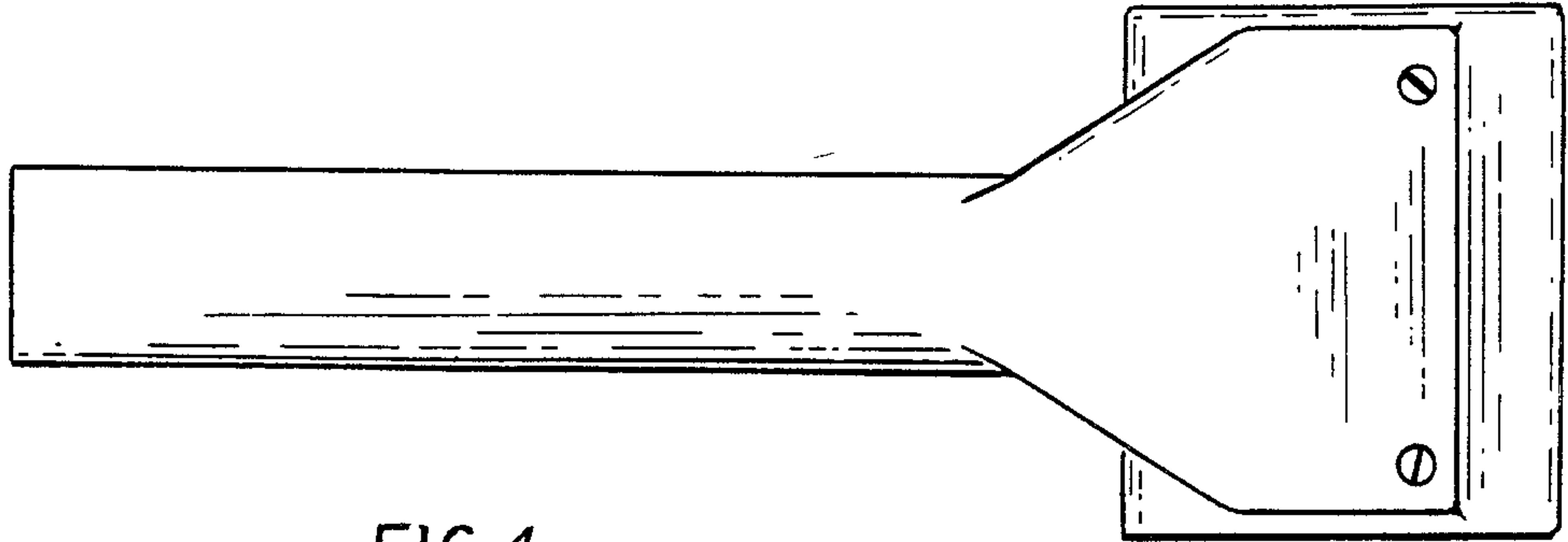


FIG. 4

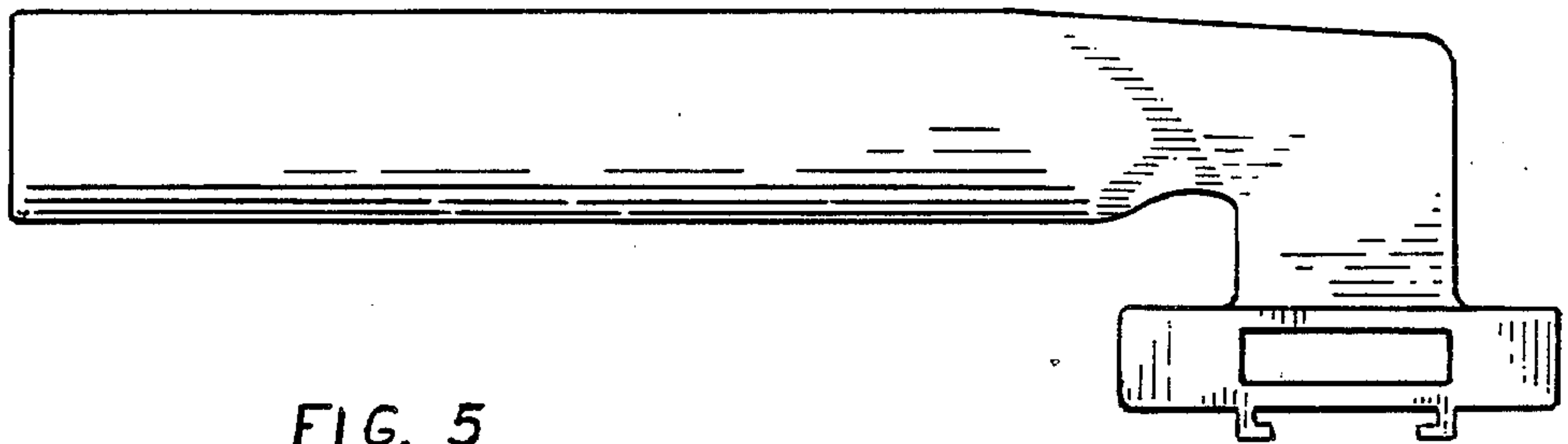


FIG. 5