

[54] VACUUM CLEANER NOZZLE

[75] Inventors: Robert C. Berfield, Jersey Shore; Ronald F. Meland, Muncy, both of Pa.

[73] Assignee: Shop-Vac Corporation, Williamsport, Pa.

[**] Term: 14 Years

[21] Appl. No.: 5,430

[22] Filed: Jan. 20, 1987

[52] U.S. Cl. D32/32

[58] Field of Search 15/410, 415 R, 415 A, 15/418-422; D32/25, 32-33, 1, 17-18

[56] References Cited

U.S. PATENT DOCUMENTS

D. 148,314	1/1948	Lippincott	D32/32
D. 223,173	3/1972	Howard et al.	D32/32
1,063,078	5/1913	Spencer	D32/32

OTHER PUBLICATIONS

Evans 1981-82 Catalog, ©1981, p. 349. "Item 1—Hoover Vacuum".

Primary Examiner—Nelson C. Holtje
Assistant Examiner—Ruth Takemoto
Attorney, Agent, or Firm—Ostrolenk, Faber, Gerb & Soffen

[57] CLAIM

The ornamental design for a vacuum cleaner nozzle, as shown and described.

DESCRIPTION

FIG. 1 is a front perspective view of a vacuum cleaner nozzle showing our new design;
FIG. 2 is a rear perspective view thereof;
FIG. 3 is a left side elevational view thereof, the right side being a mirror image;
FIG. 4 is a front elevational view thereof;
FIG. 5 is a bottom plan view thereof;
FIG. 6 is a top plan view thereof; and
FIG. 7 is a rear elevational view thereof.

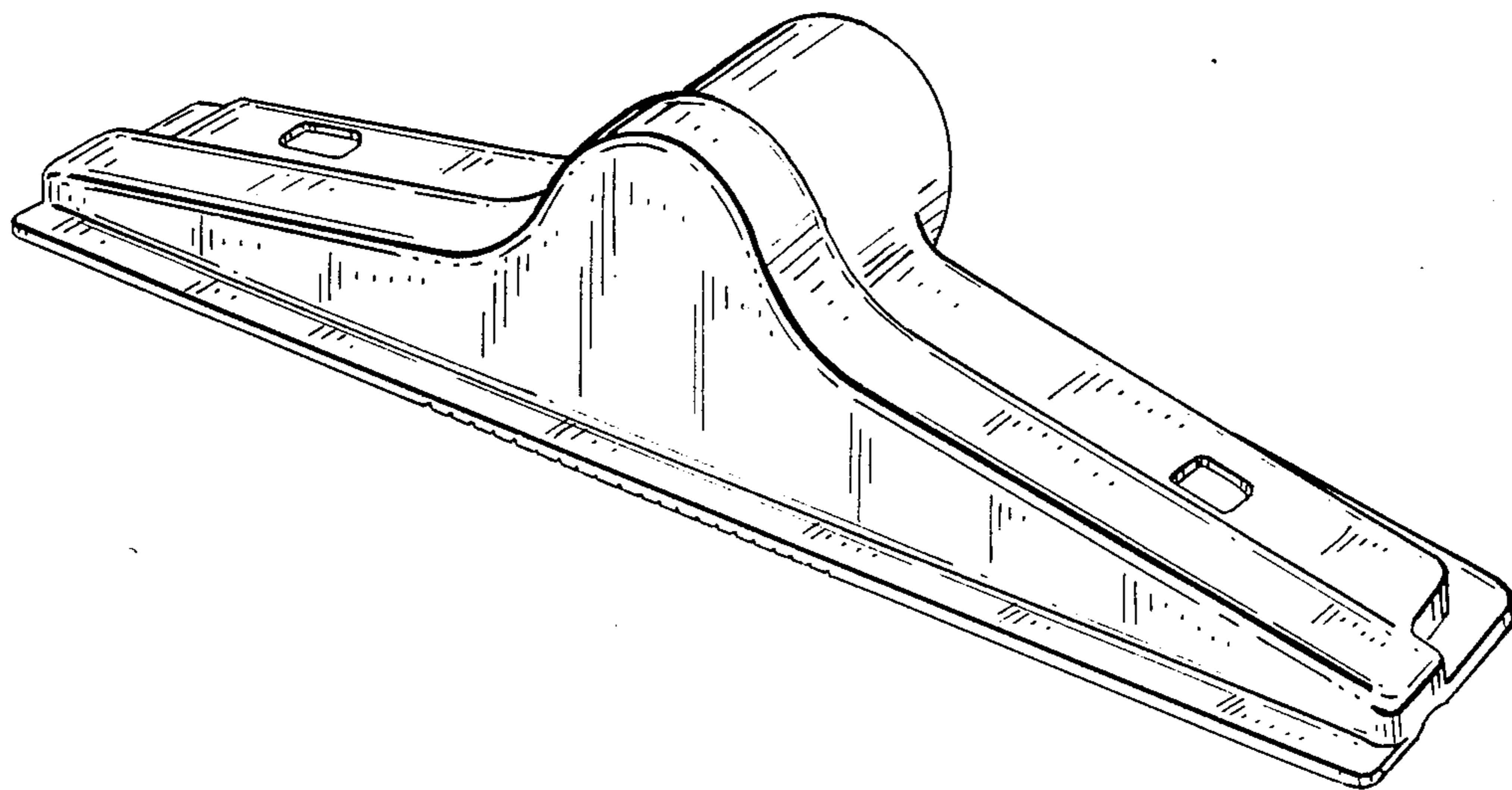


FIG. 1.

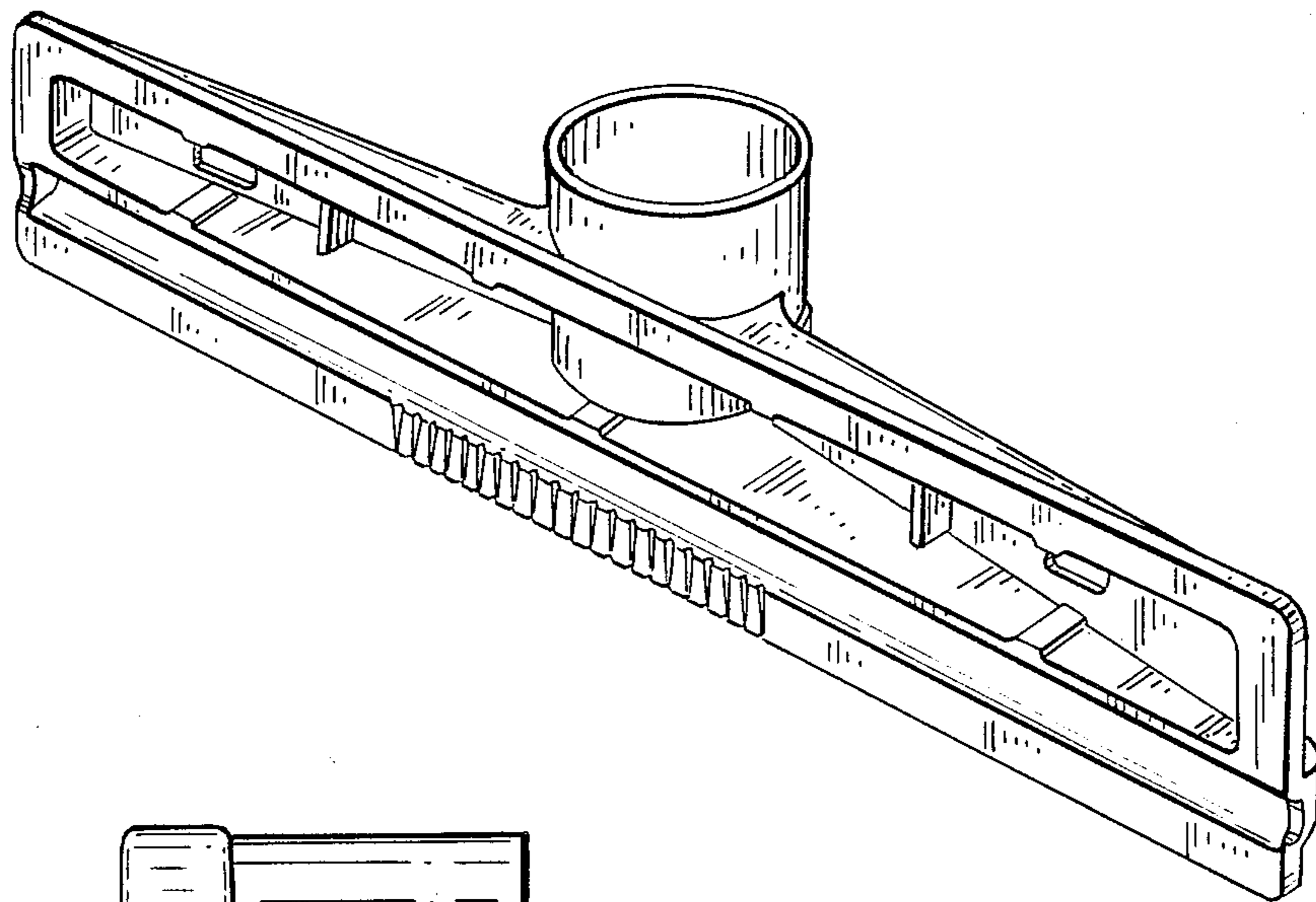
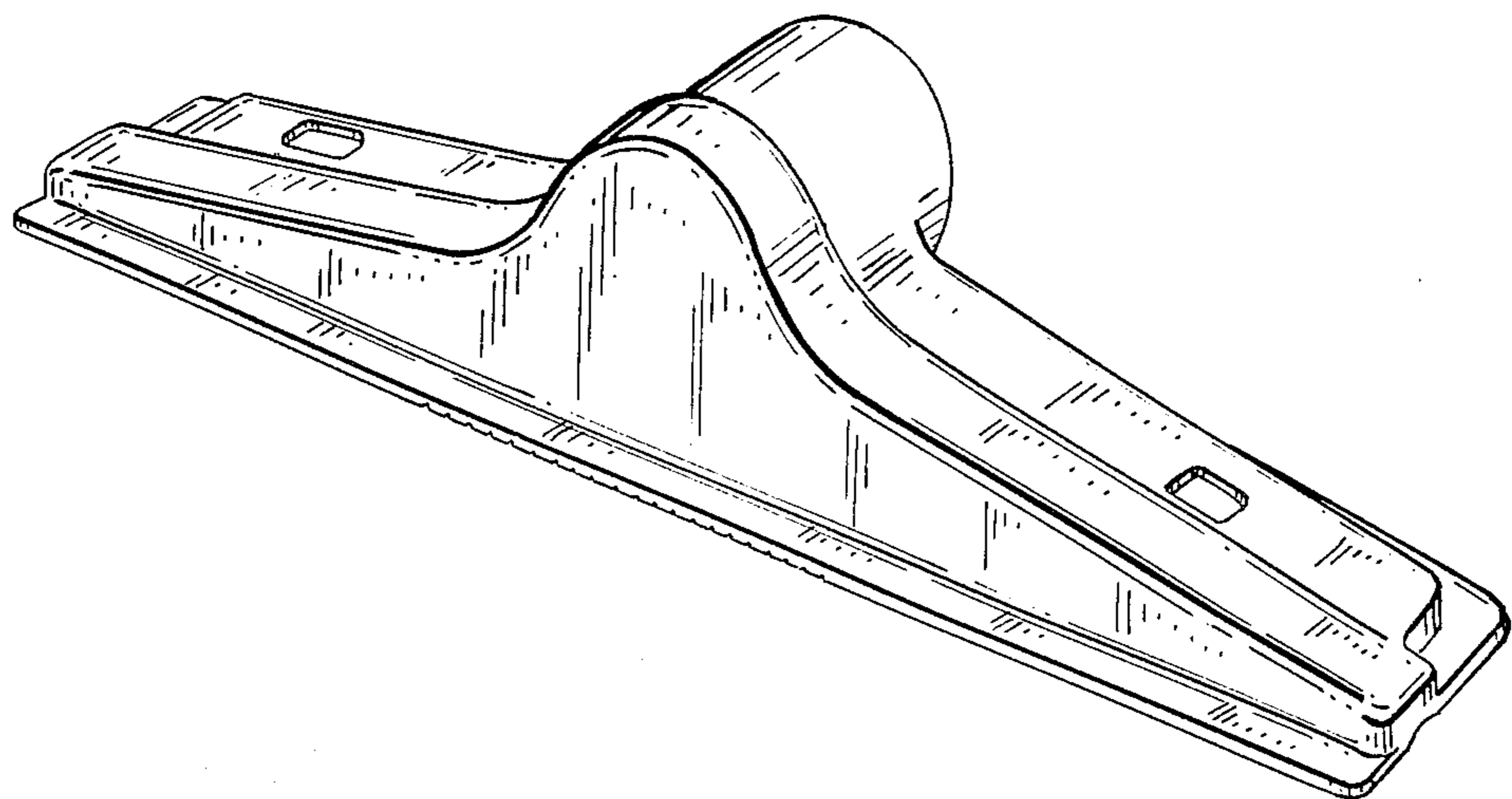


FIG. 2.

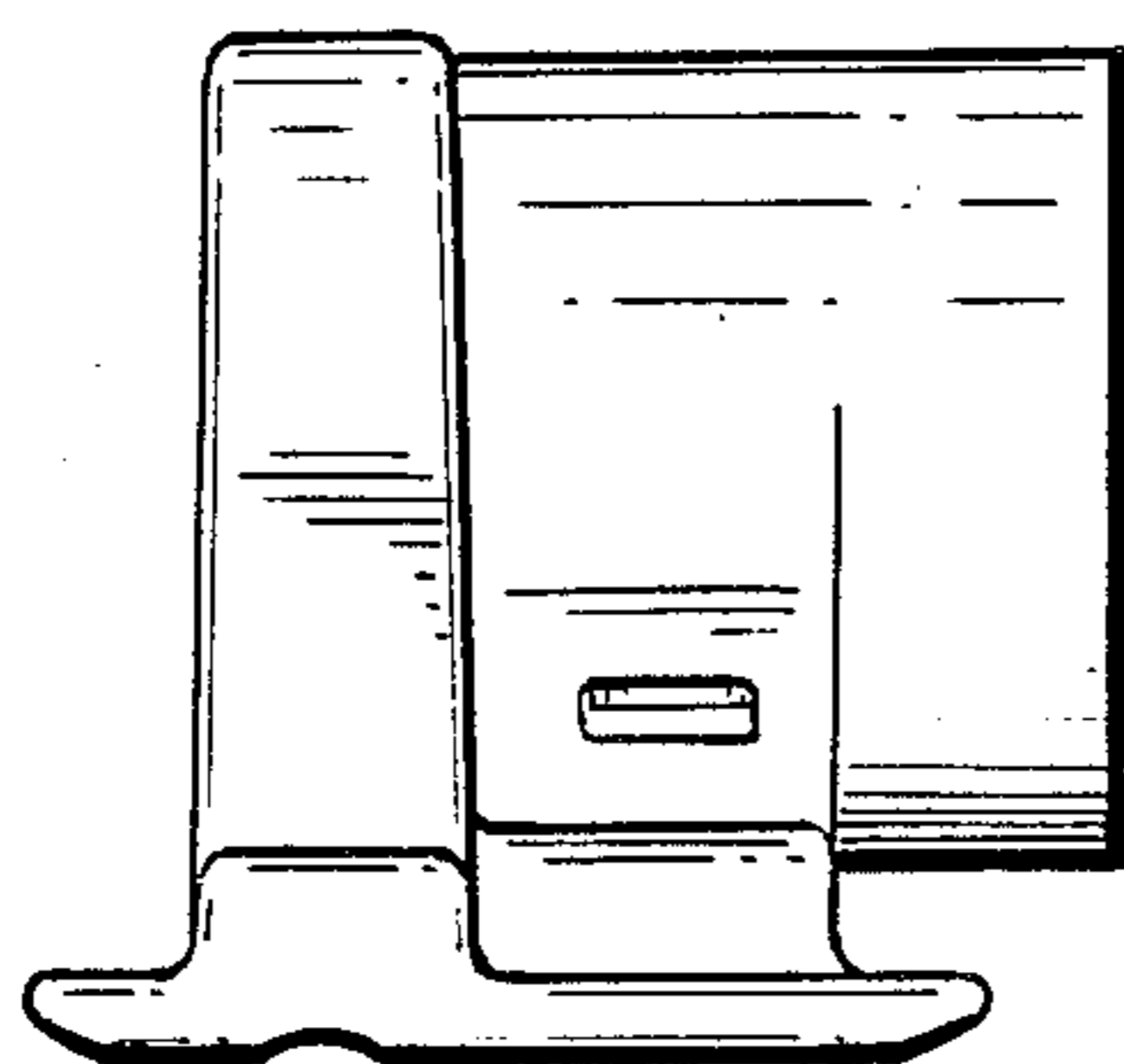


FIG. 3.

