

[54] **FOAL FEEDER**

[75] **Inventor:** John M. Fuller, Winchester, Va.

[73] **Assignee:** Rubbermaid Commercial Products Inc., Winchester, Va.

[**] **Term:** 14 Years

[21] **Appl. No.:** 419,638

[22] **Filed:** Oct. 11, 1989

[52] **U.S. Cl.** D20/131

[58] **Field of Search** 119/74, 51.01, 51.02,
119/51.5, 57, 58, 72, 61, 59, 52.1, 52.4;
D30/121, 131, 124, 132, 133

[56] **References Cited**

U.S. PATENT DOCUMENTS

D. 255,725	7/1980	Kitterman	D30/131
D. 257,542	11/1980	Gorretta	D30/131
D. 258,844	4/1981	Coots	D30/131
D. 287,771	1/1987	Kimble	D30/121
1,881,065	10/1932	Shirley	119/61
2,972,979	2/1961	Struck	119/51.5
4,258,665	3/1981	Coots .	

FOREIGN PATENT DOCUMENTS

404077	11/1909	France	119/51.12
123485	2/1919	United Kingdom .	

OTHER PUBLICATIONS

p. 20, Franam Companies, Inc., P.O. Box 34820, Phoenix, AZ 85067-4820, publication date unknown.
p. U-216, Universal, Agri Products Division, 2600 Col-

lege Park Ave., P.O. Box 115, Goshen, IN 46526, publication date May, 1988.

Catalog page, Port-A-Stall, 213 S. Alna School Road, P.O. Box 1627, Mesa, AZ 85201, publication date unknown.

Assembly Instruction Sheet, Paddock Products Div. of Gorretta Machine & Mang. Inc., 339 Bentleyville Rd., Chargin, OH 44022, publication date unknown.

Sell Sheet, Carnation Company Milling Division, Los Angeles, CA 90036, publication date unknown.

pp. 1 and 4, Miller Manufacturing Company, 494 Villeneuve Ave., South St. Paul, MN 55675, publication date unknown.

Pages 2 and 3, Rubbermaid Commercial Products Inc., 3124 Valley Ave., Winchester VA 22601, publication date 1986.

Primary Examiner—James R. Largen

Assistant Examiner—Cathy Anne MacCormac

Attorney, Agent, or Firm—Richard B. O'Planick

[57] **CLAIM**

The ornamental design for a foal feeder, as shown and described.

DESCRIPTION

FIG. 1 is a top perspective view of foal feeder showing my new design;

FIG. 2 is a side elevational view thereof; the opposite side being a mirror image;

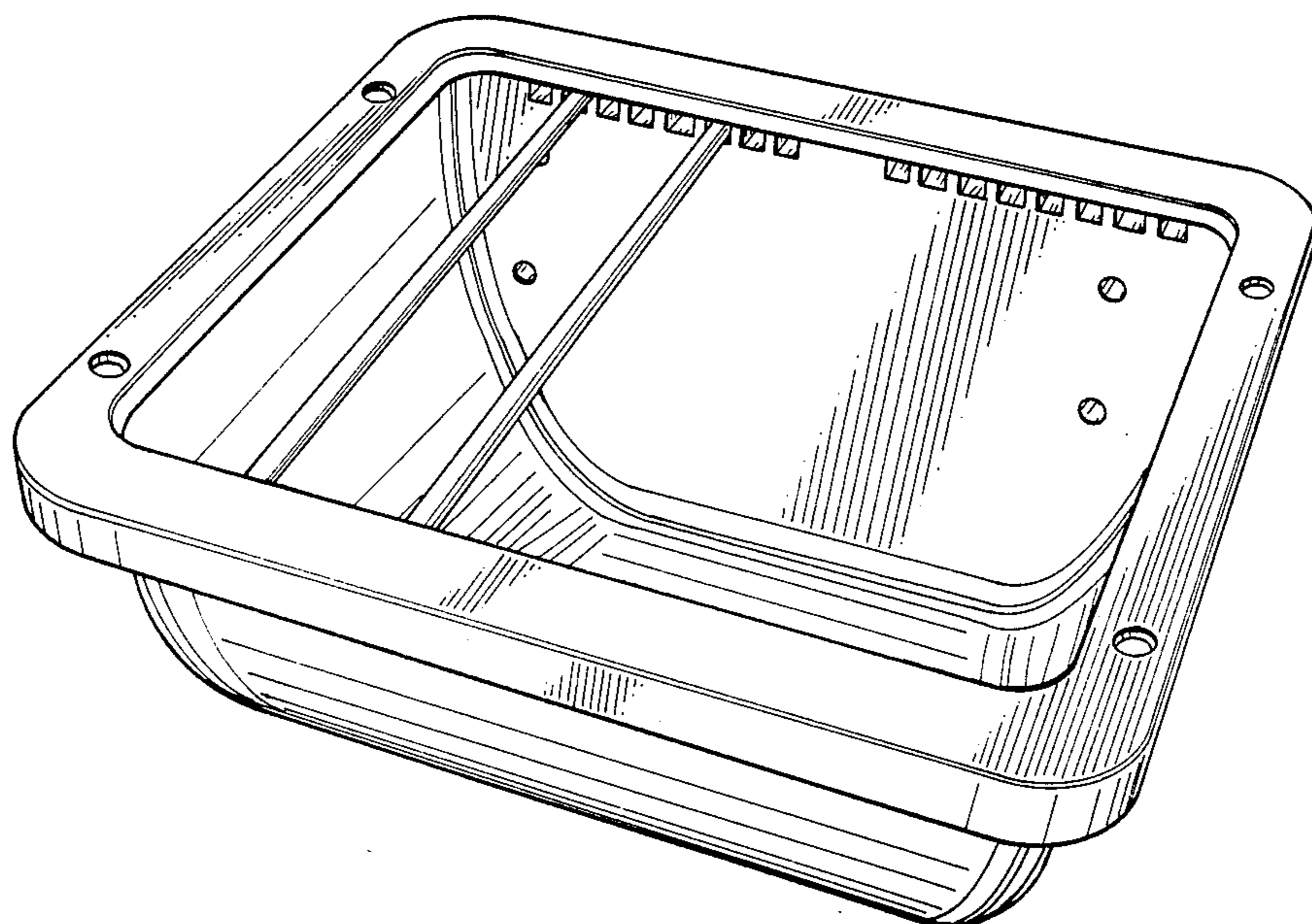
FIG. 3 is a front elevational view thereof;

FIG. 4 is a rear elevational view thereof;

FIG. 5 is a top plan view thereof;

FIG. 6 is a bottom plan view thereof; and

FIG. 7 is a cross sectional view taken on line 7—7 of FIG. 5.



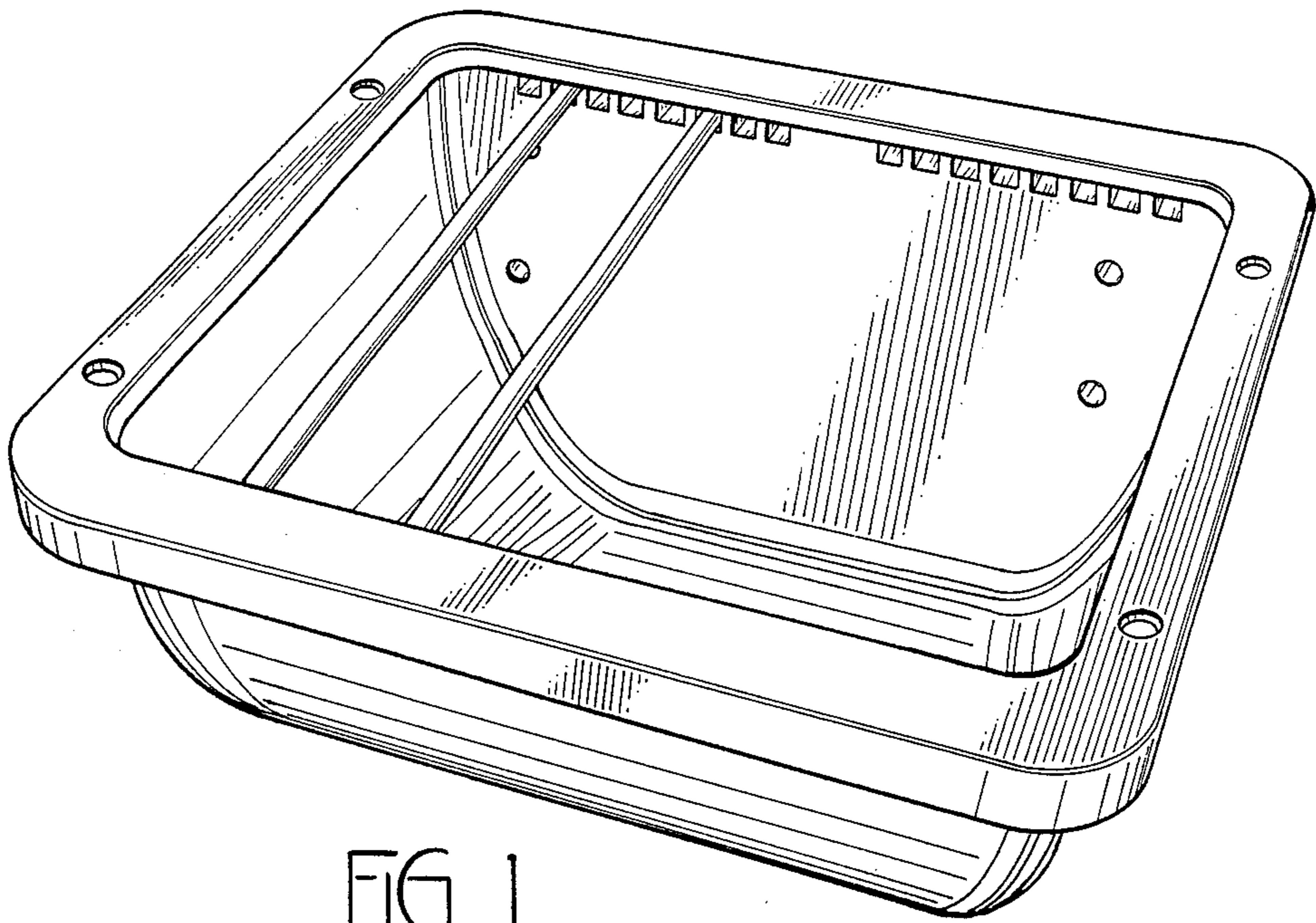


FIG. 1

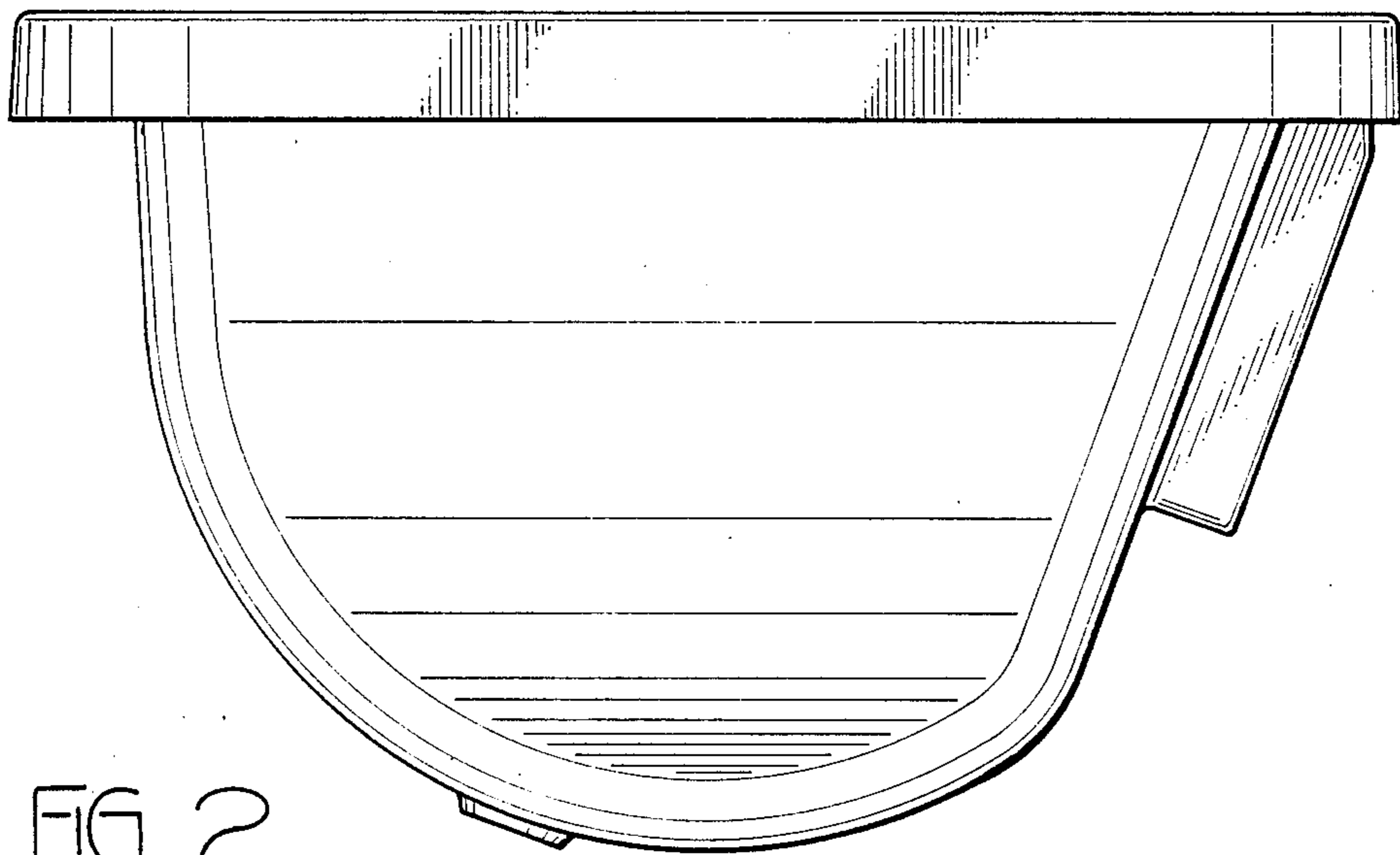


FIG. 2

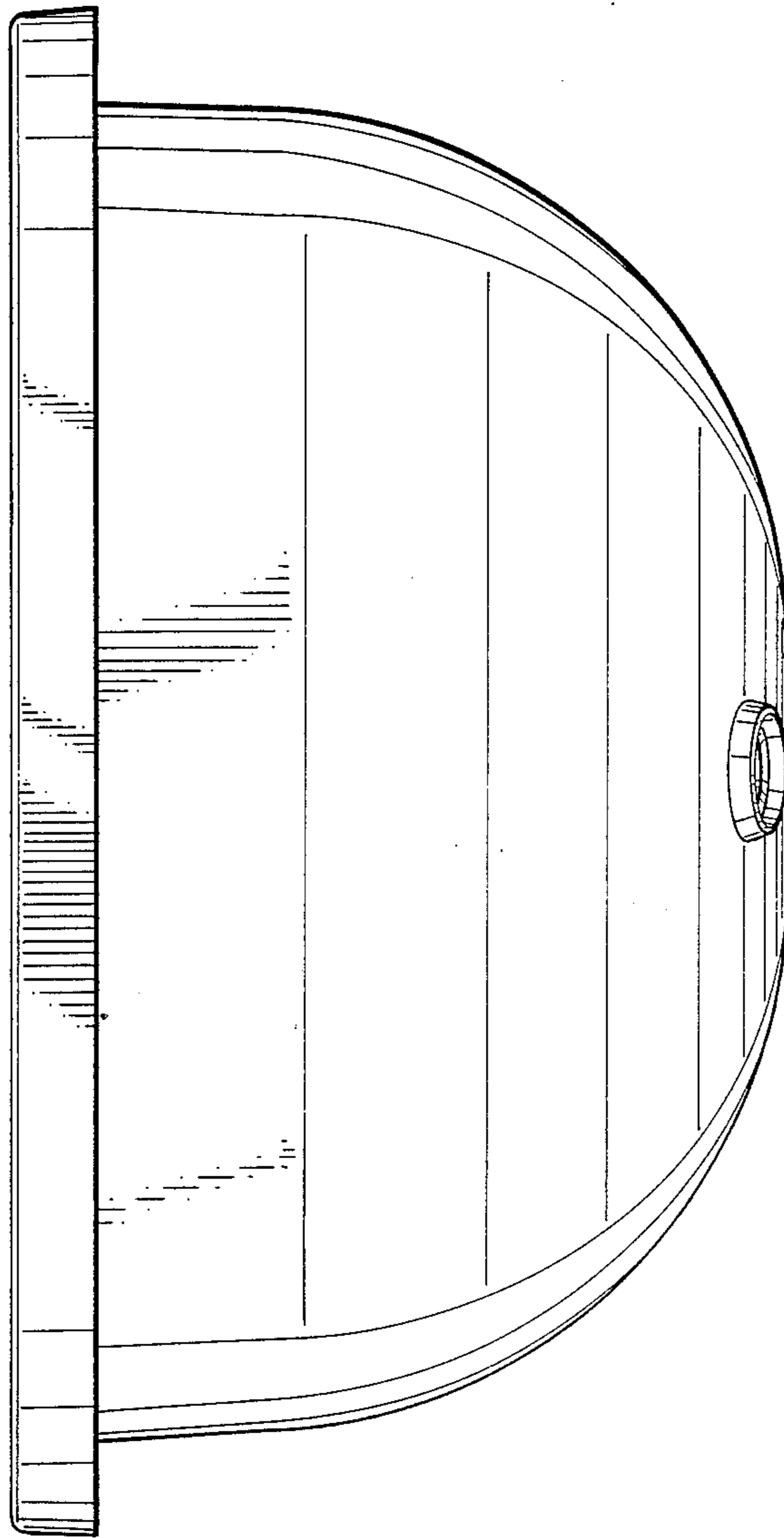


FIG. 3

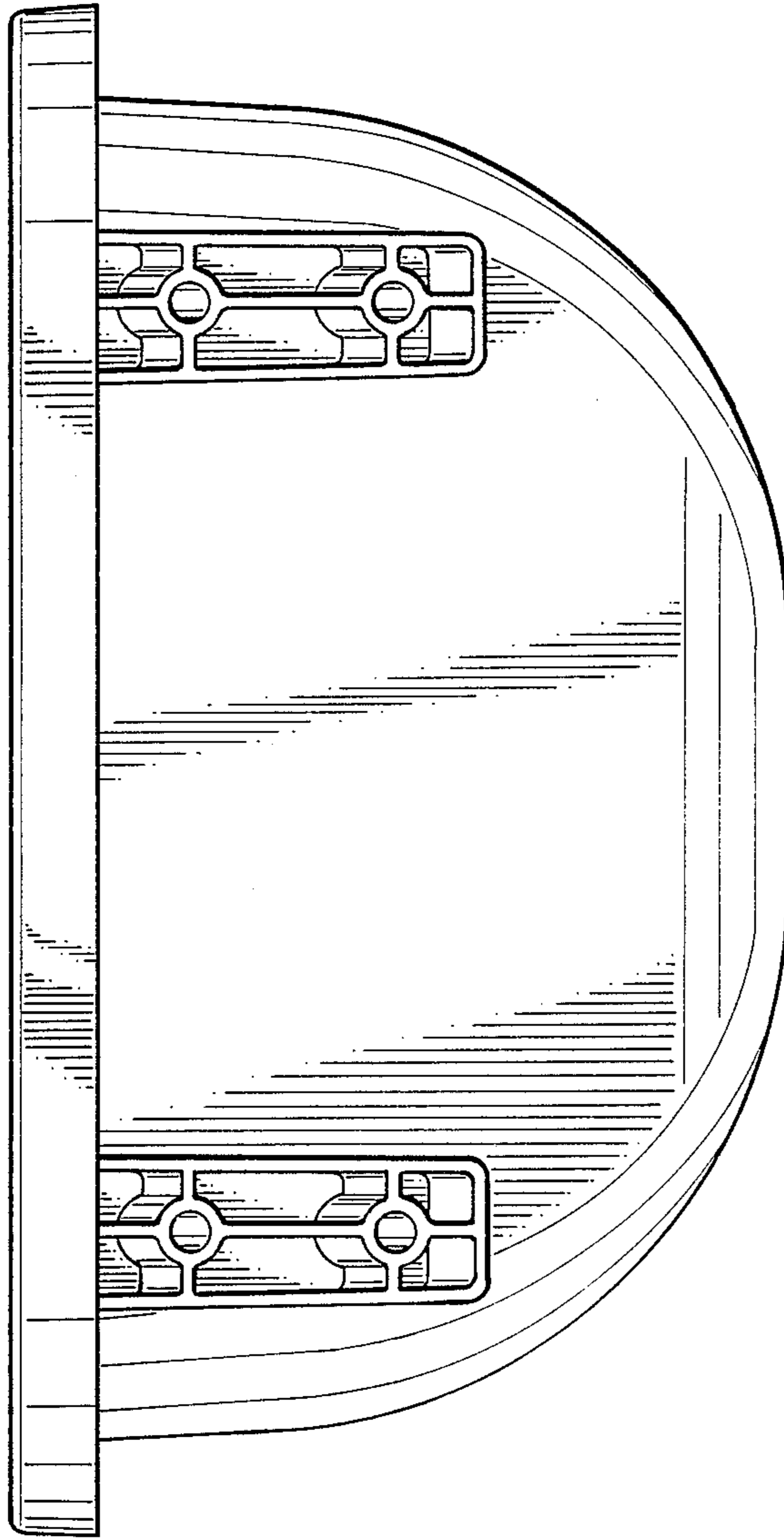


FIG. 4

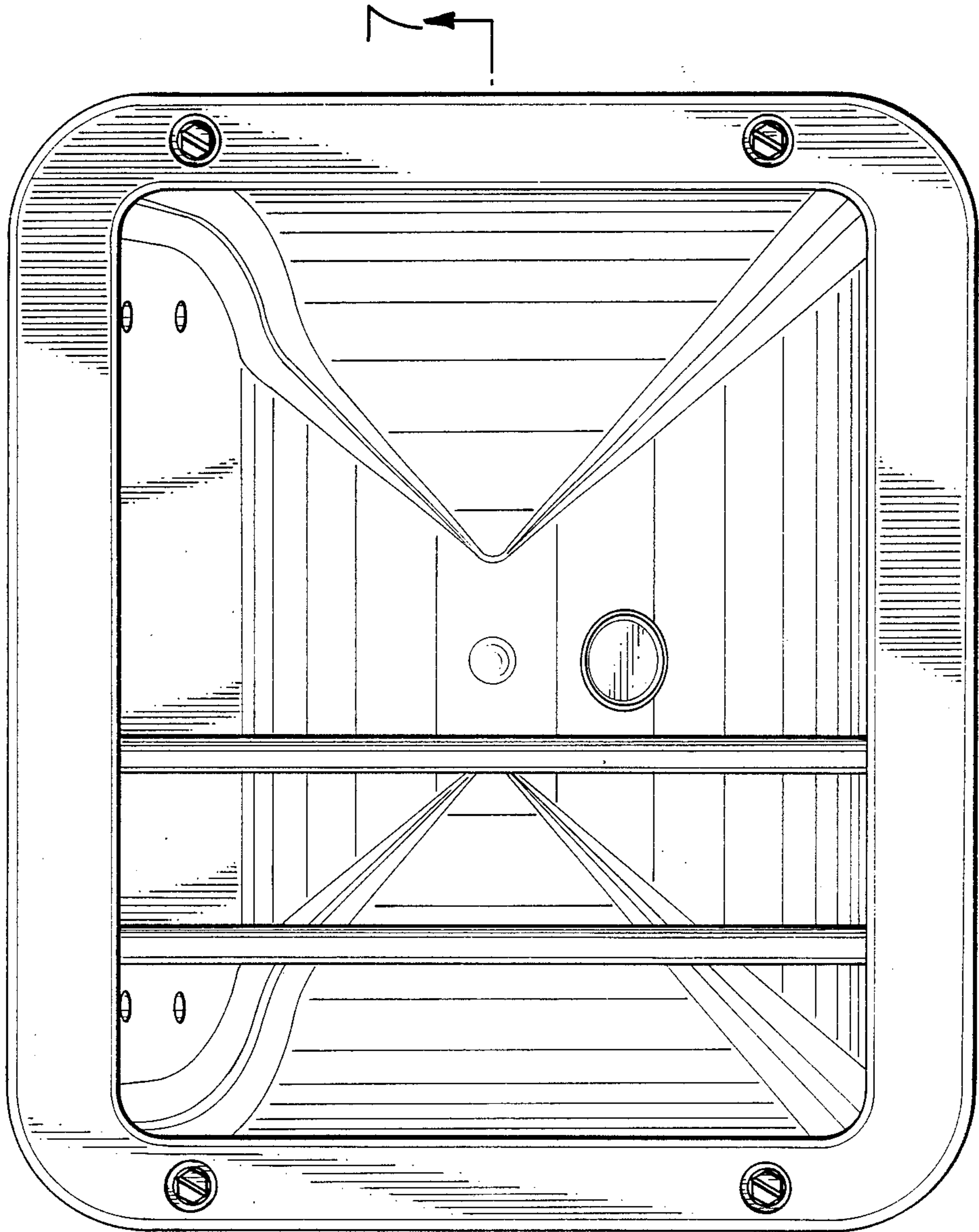


FIG. 5

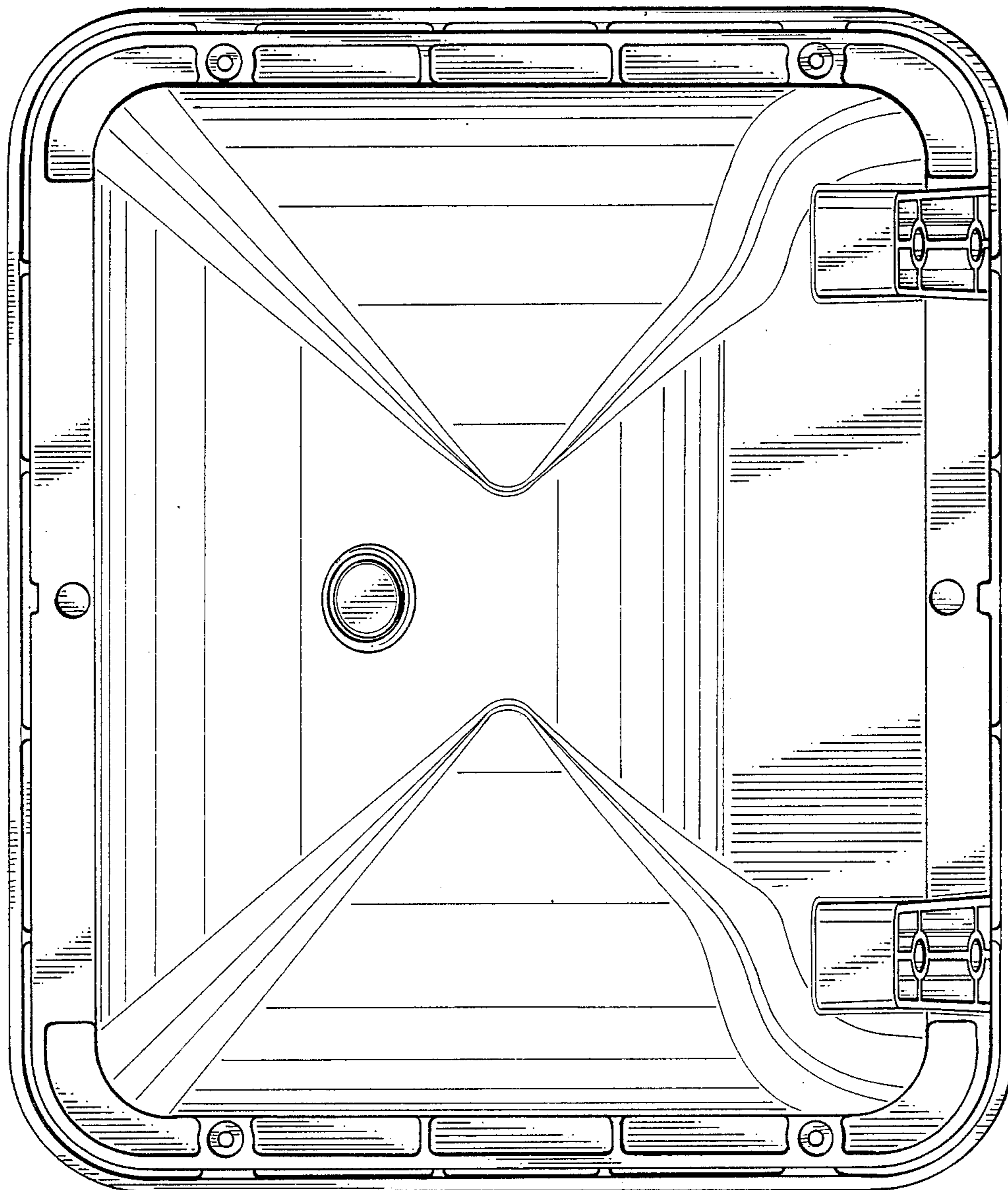


FIG. 6

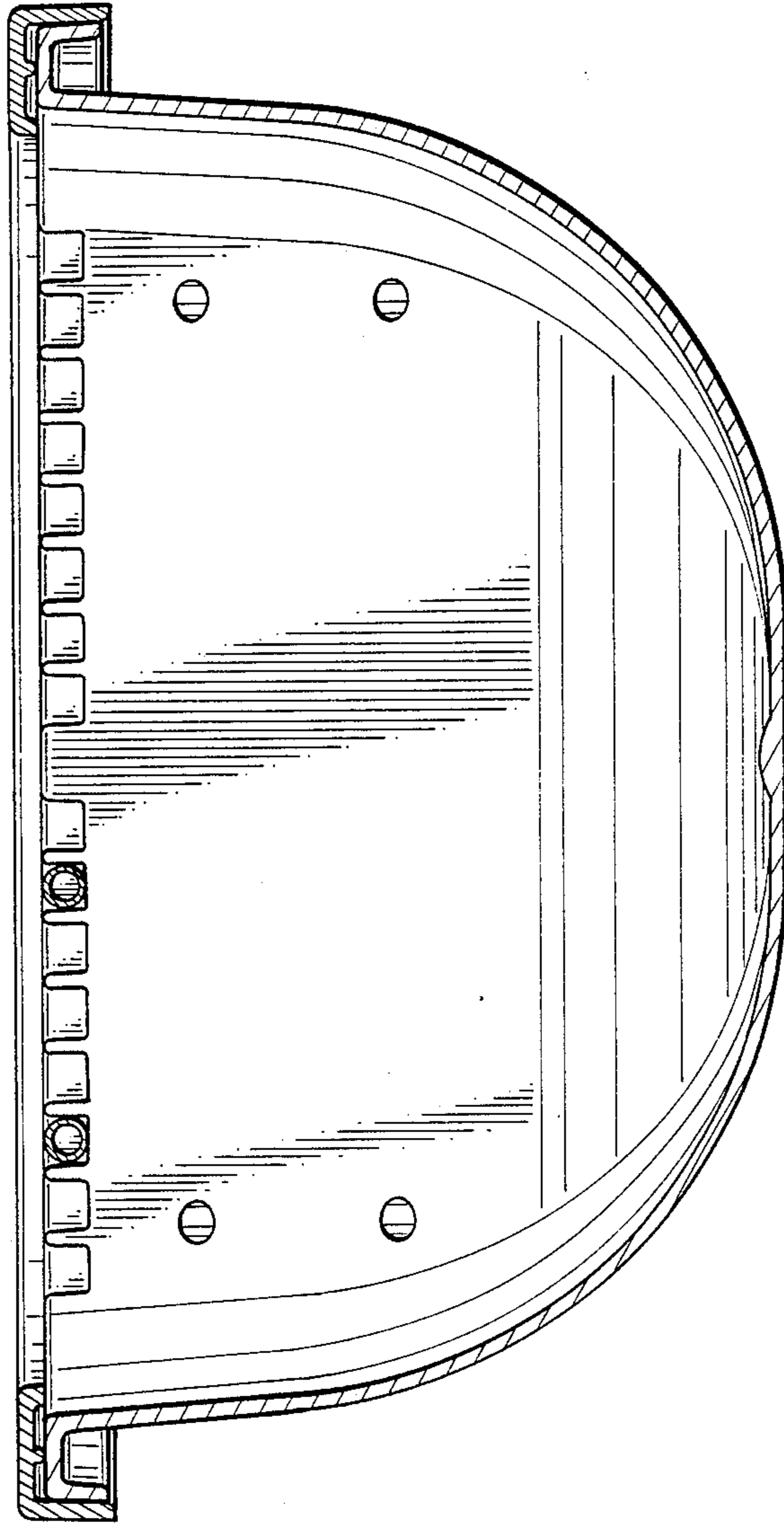


FIG. 7