

[54] **MOUTH TO MOUTH RESUSCITATOR**

[75] **Inventor: Thomas H. Howells, London, England**

[73] **Assignee: Vitalograph, Inc., Lenexa, Kans.**

[**] **Term: 14 Years**

[21] **Appl. No.: 194,713**

[22] **Filed: May 16, 1988**

[52] **U.S. Cl. D29/7; D24/62**

[58] **Field of Search D29/6, 7, 99; 128/201.22, 202.28, 202.29, 207.18, 207.14, 207.17, 204.18, 203.11; D24/62, 34**

[56] **References Cited**

U.S. PATENT DOCUMENTS

3,060,927	10/1962	Gattone	128/202.28
3,303,845	2/1967	Detmer, III	128/202.28
3,948,255	4/1976	Davidson	128/202.28
4,270,531	6/1981	Blachly	128/207.14

4,360,017	11/1982	Barlett	128/202.28
4,683,879	8/1987	Williams	128/200.26
4,817,598	4/1989	LaBombard	128/207.14

FOREIGN PATENT DOCUMENTS

2176406A 12/1986 United Kingdom .

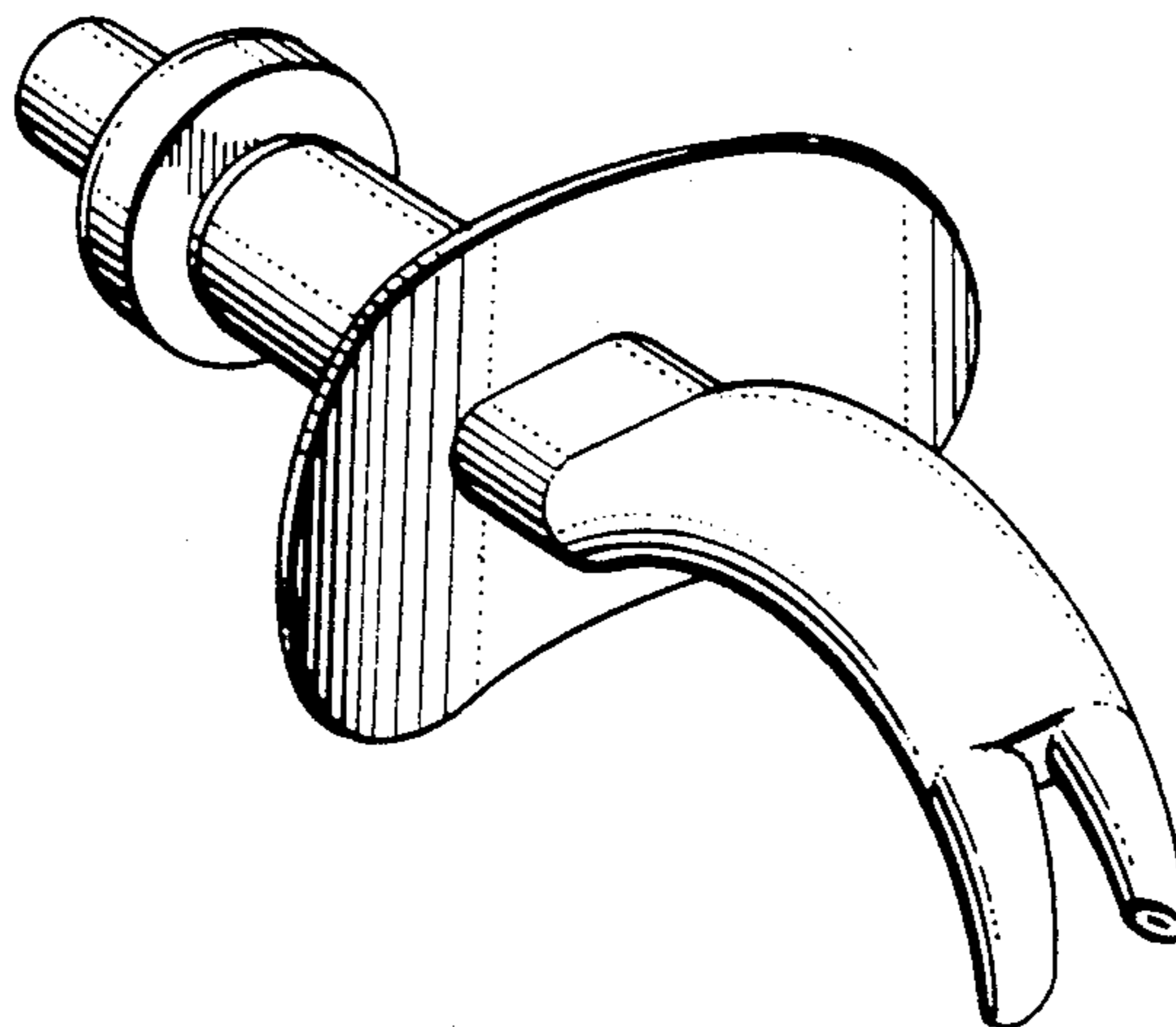
Primary Examiner—Kay H. Chin
Attorney, Agent, or Firm—Litman, McMahon & Brown

[57] **CLAIM**

The ornamental design for a mouth to mouth resuscitator, as shown and described.

DESCRIPTION

FIG. 1 is a top, front, right side, perspective view of a mouth to mouth resuscitator, showing my new design; FIG. 2 is a front elevational view thereof; FIG. 3 is a right side elevational view thereof, the left side being a mirror image thereof; FIG. 4 is a top plan view thereof; FIG. 5 is a rear elevational view thereof; and FIG. 6 is a bottom plan view thereof.



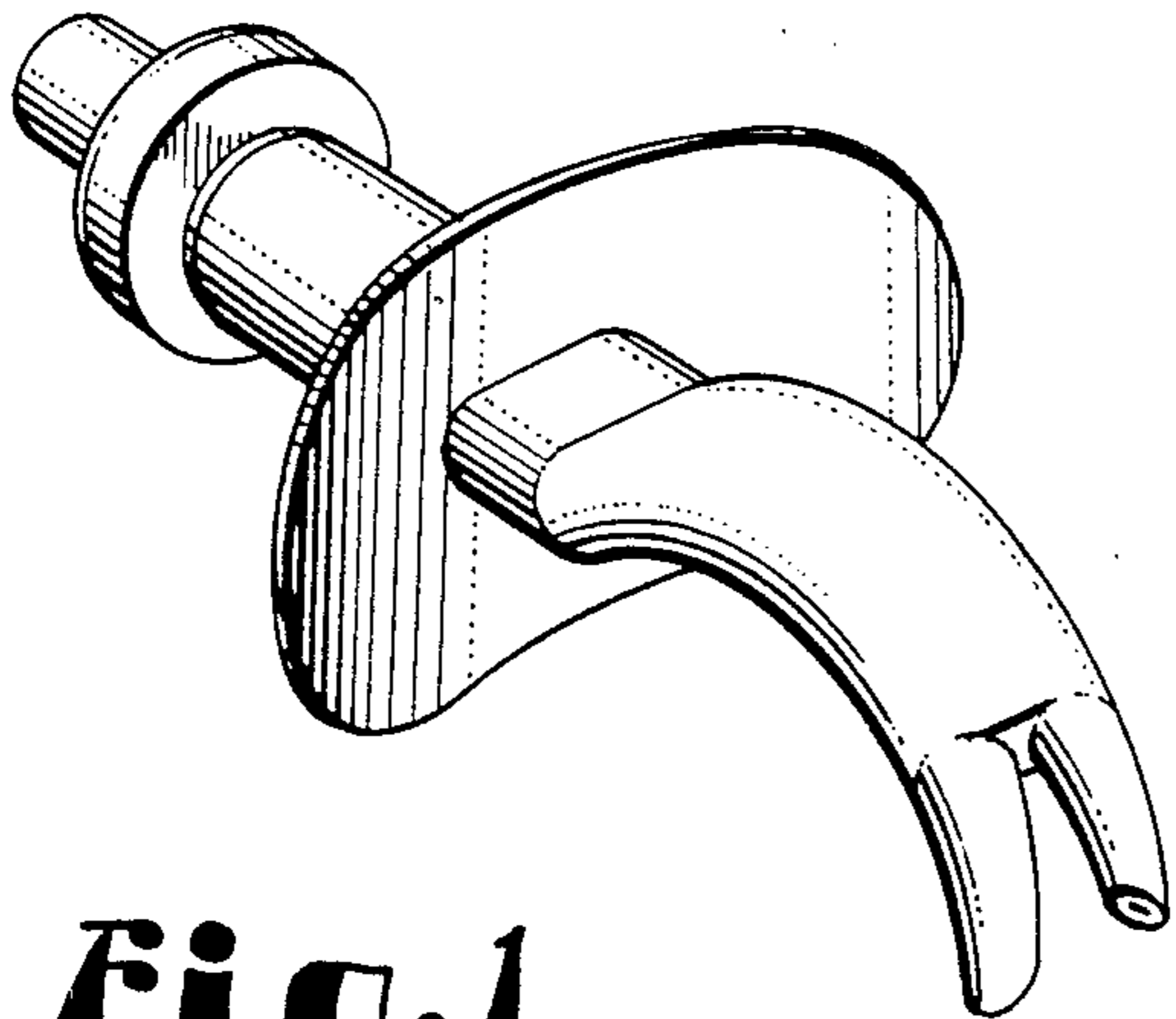


Fig. 1.

Fig. 2.

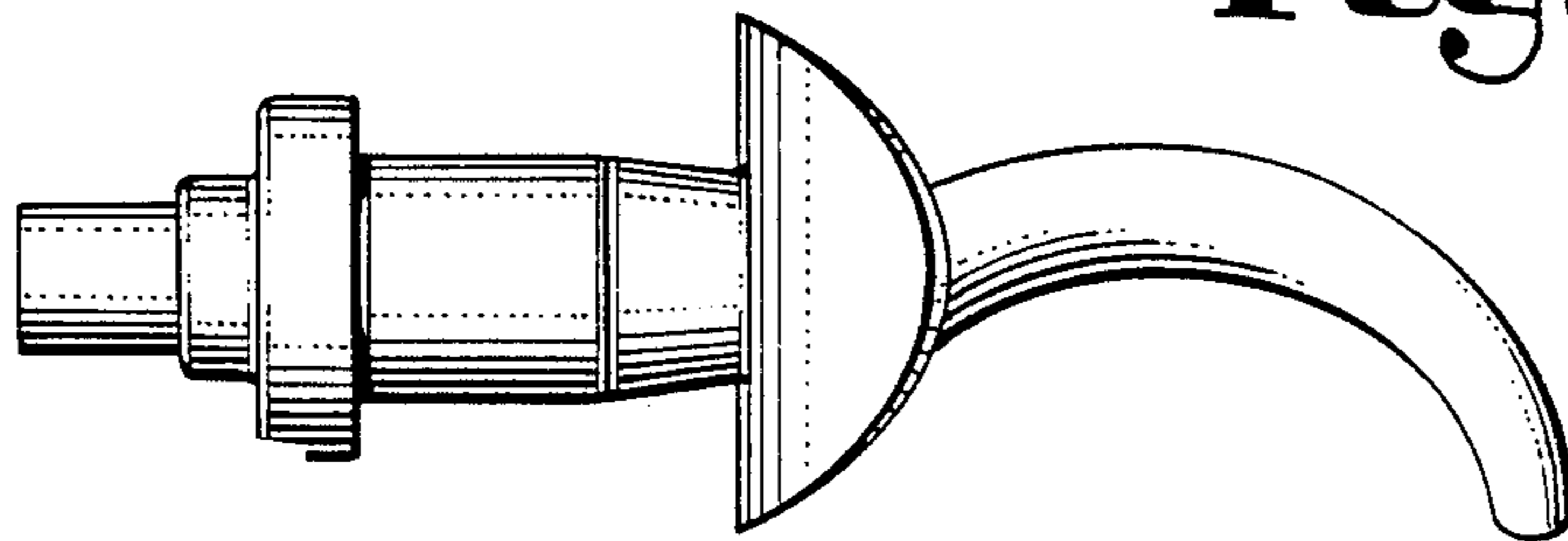
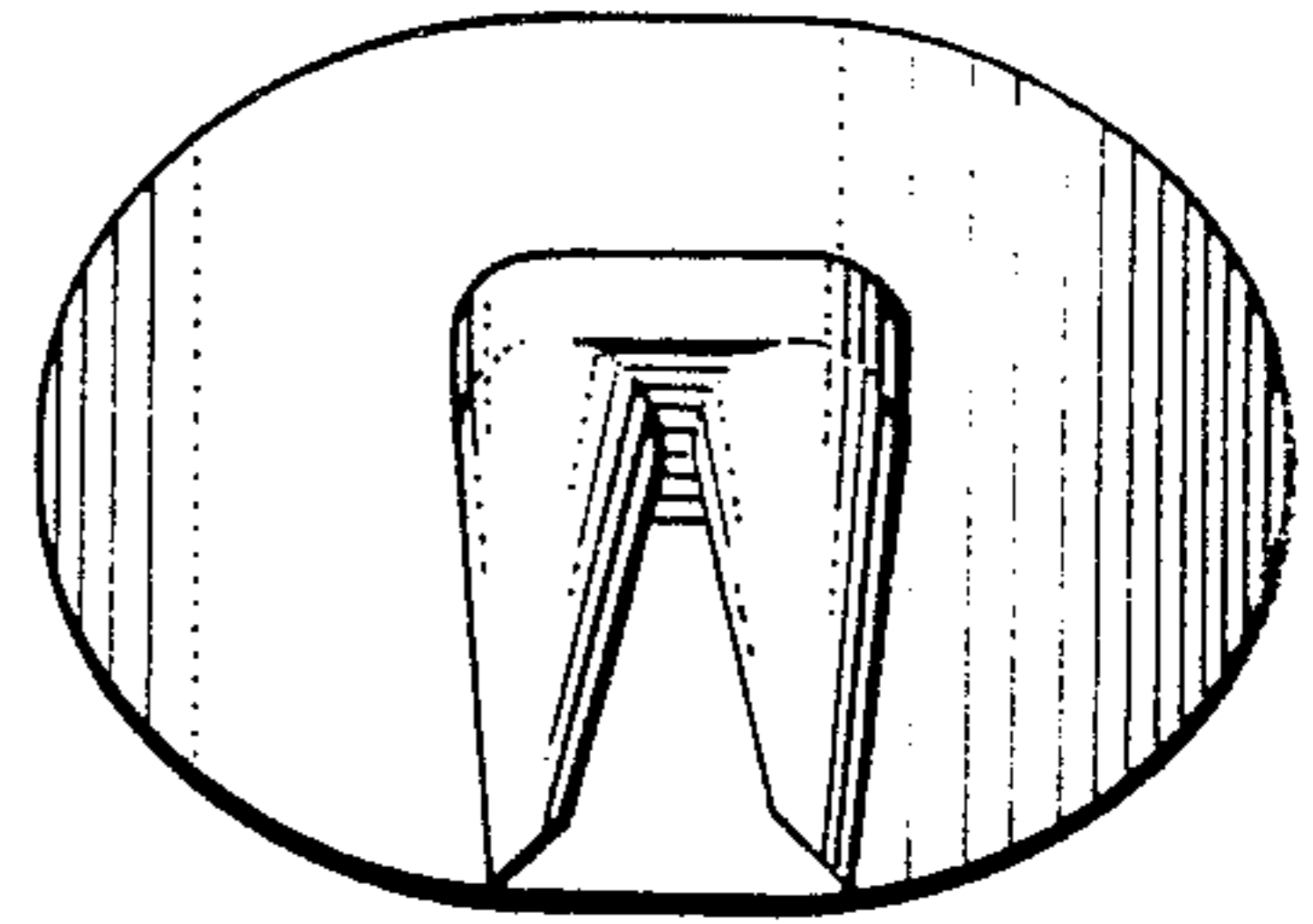


Fig. 3.

Fig. 5.

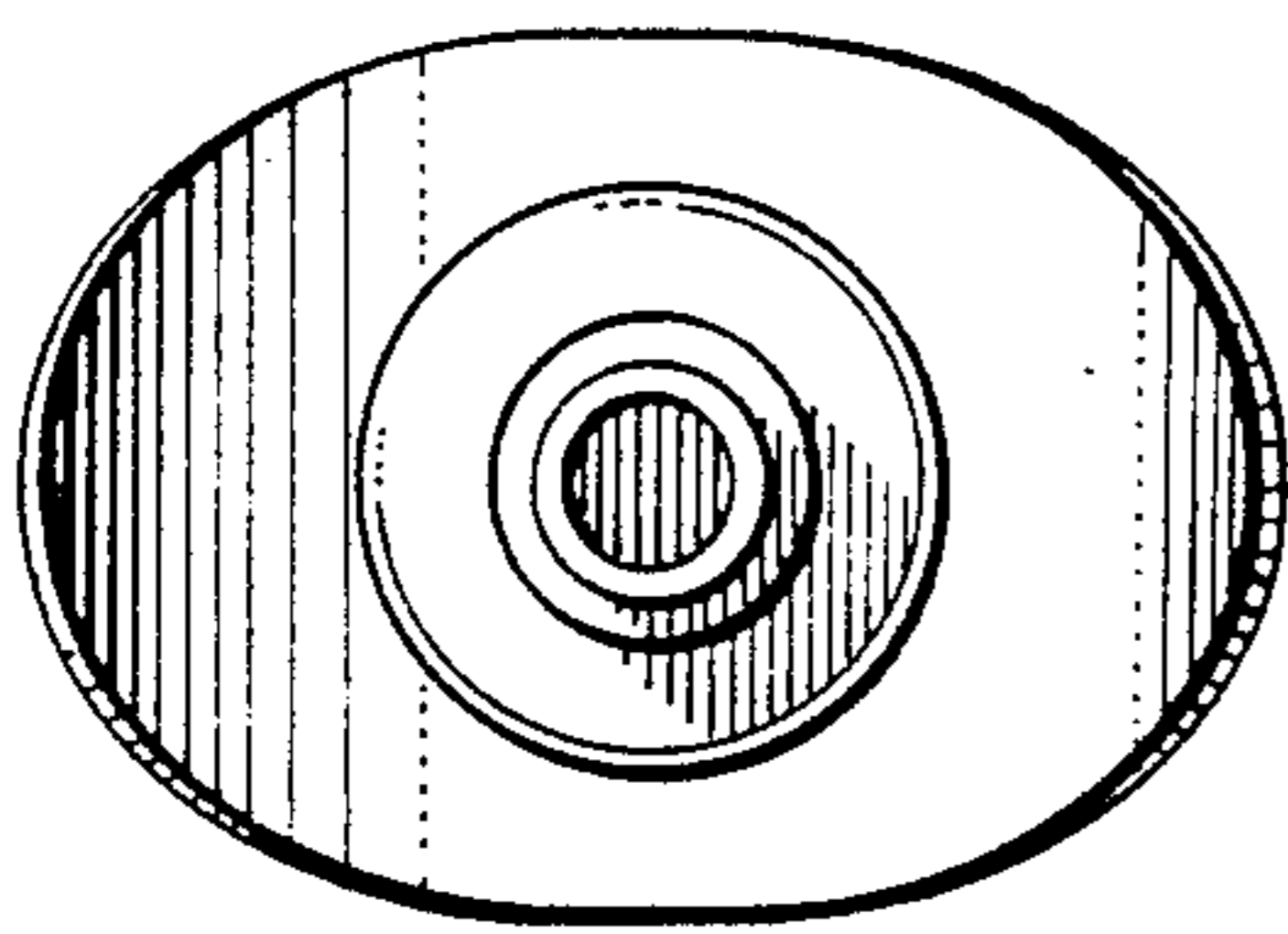


Fig. 4.

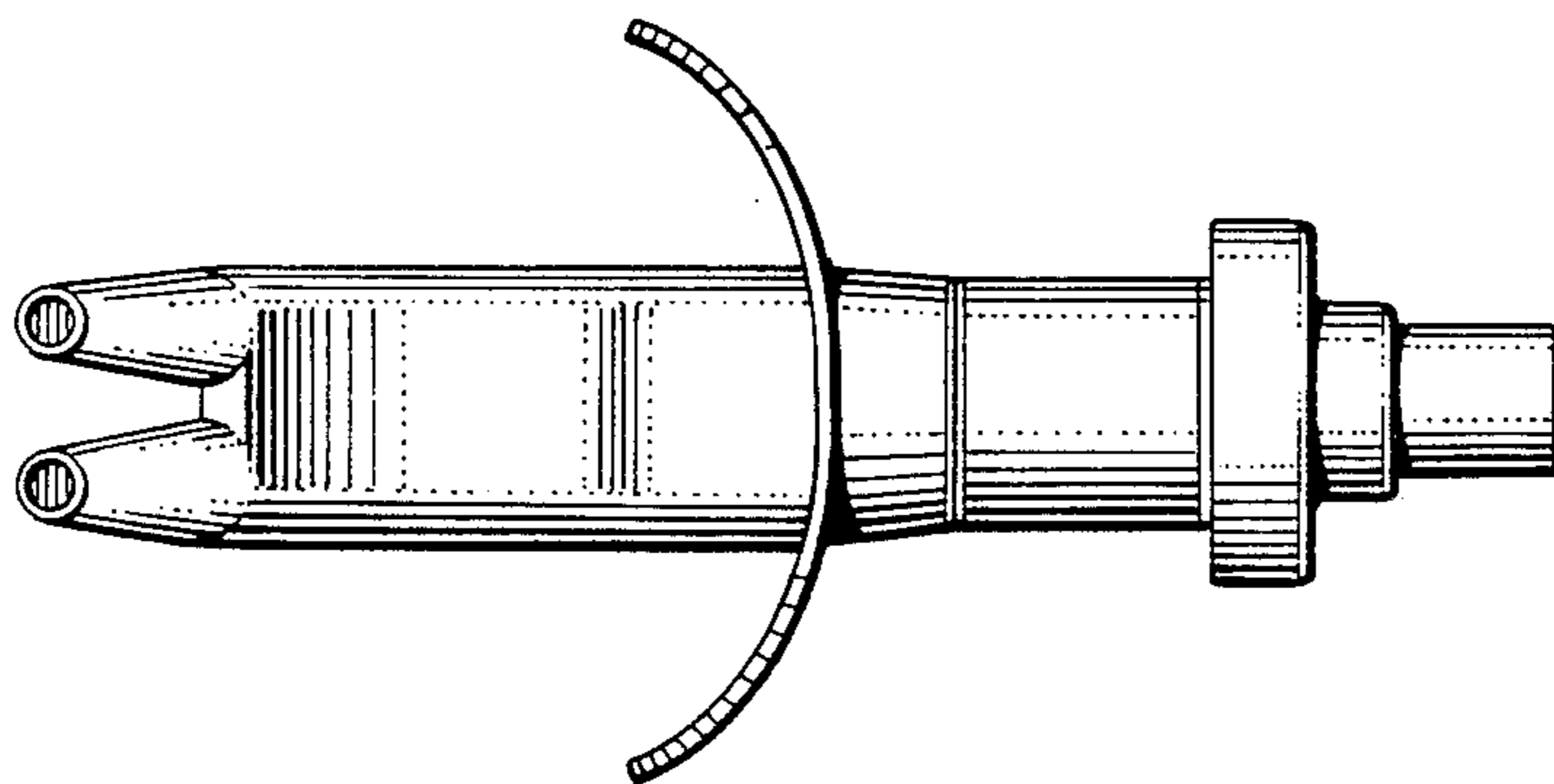
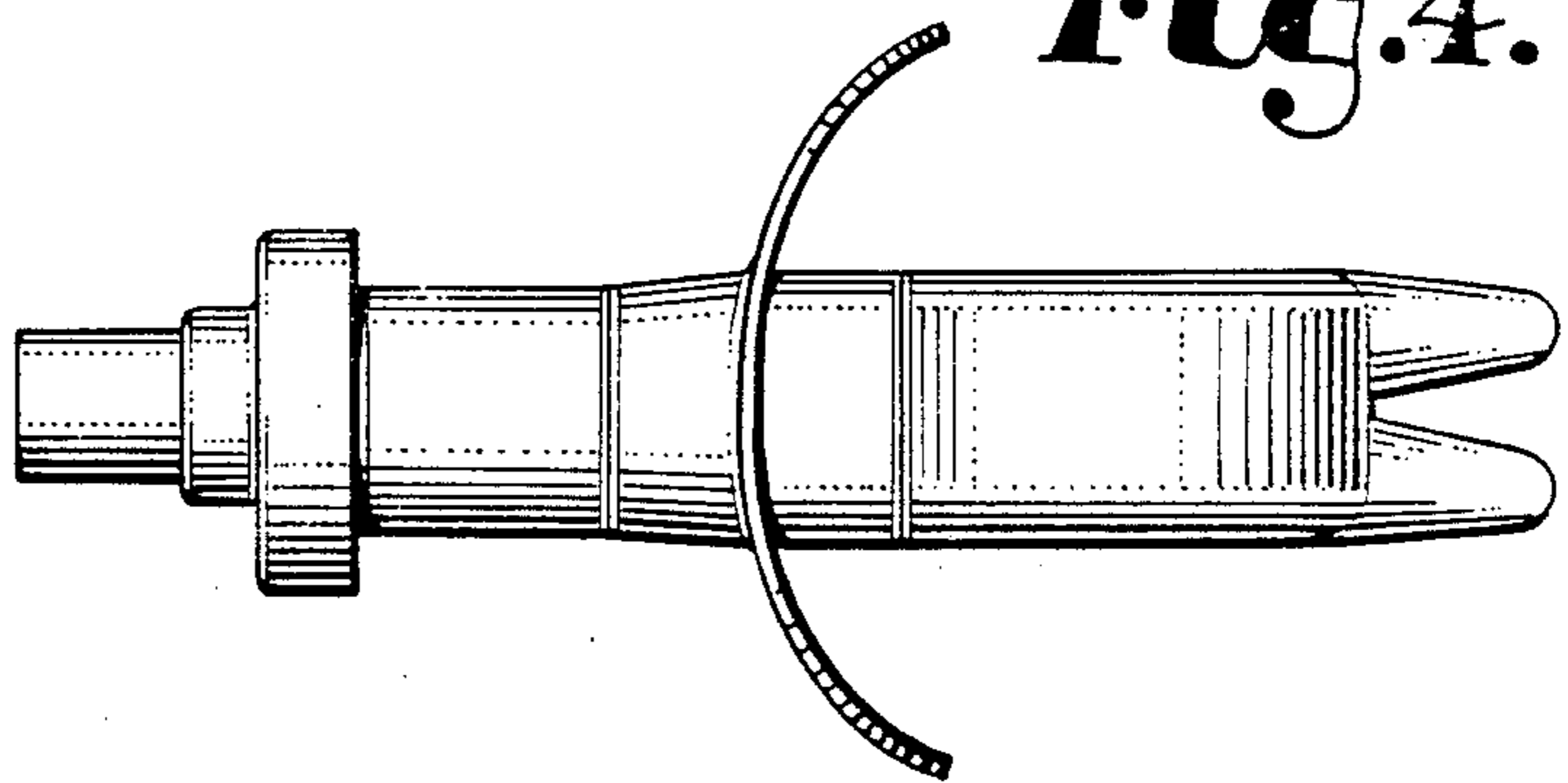


Fig. 6.