

**United States Patent** [19]  
**Drumm**

[11] **Patent Number: Des. 311,603**  
[45] **Date of Patent: \*\* Oct. 23, 1990**

- [54] **HAIR COMB** 2,879,777 3/1959 Miller ..... 132/148 X
- [75] **Inventor: Brian J. Drumm, Edinburgh, Scotland**
- [73] **Assignee: Brian Drumm Flattopper Limited, Scotland**
- [\*\*] **Term: 14 Years**
- [21] **Appl. No.: 186,631**
- [22] **Filed: Apr. 27, 1988**
- [30] **Foreign Application Priority Data**  
Dec. 10, 1987 [GB] United Kingdom ..... 1046986
- [52] **U.S. Cl. .... D28/31**
- [58] **Field of Search .... D28/10, 25, 29, 30, D28/31, 44, 52; 132/212, 219, 213, 214, 148, 126, 139; 30/30**

- [56] **References Cited**
- U.S. PATENT DOCUMENTS**
- D. 217,997 7/1970 Bundles et al. .... D28/31  
D. 240,338 6/1976 Suchowski ..... D28/29  
2,610,392 9/1952 Charbeneau ..... 30/30  
2,778,366 1/1957 Richmond ..... 132/213.1

**FOREIGN PATENT DOCUMENTS**

3521878 1/1987 Fed. Rep. of Germany ..... 132/219

**OTHER PUBLICATIONS**

Modern Salon, Jan. 1987, p. 80.

*Primary Examiner*—B. J. Bullock

*Assistant Examiner*—C. Tuttle

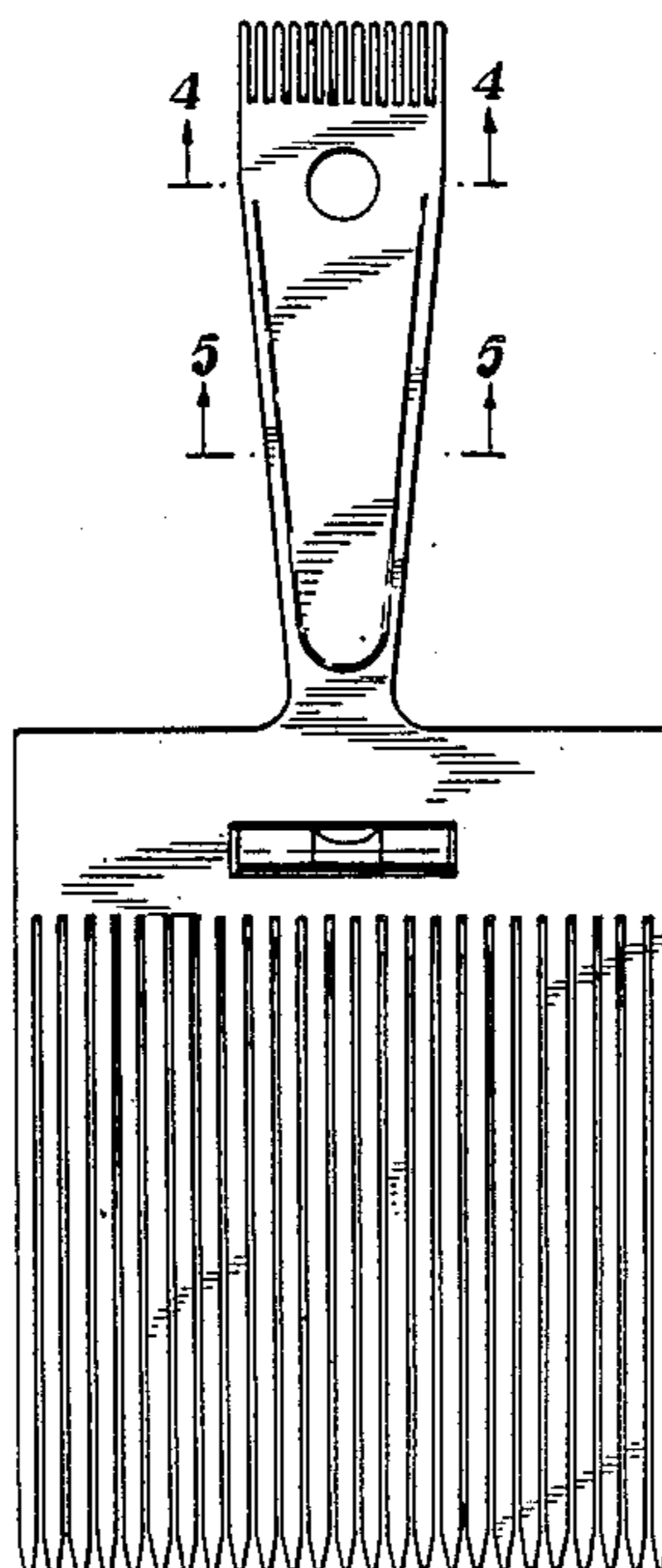
*Attorney, Agent, or Firm*—Rosen, Dainow & Jacobs

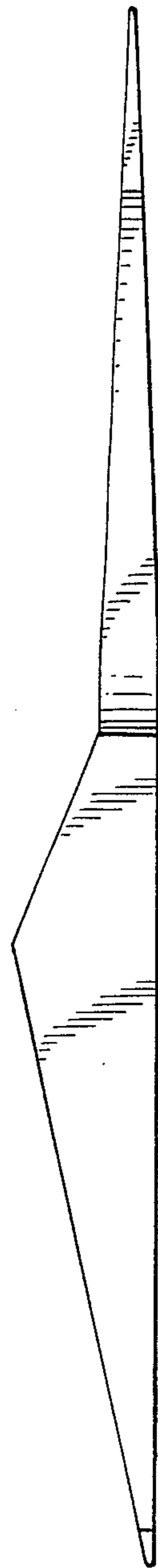
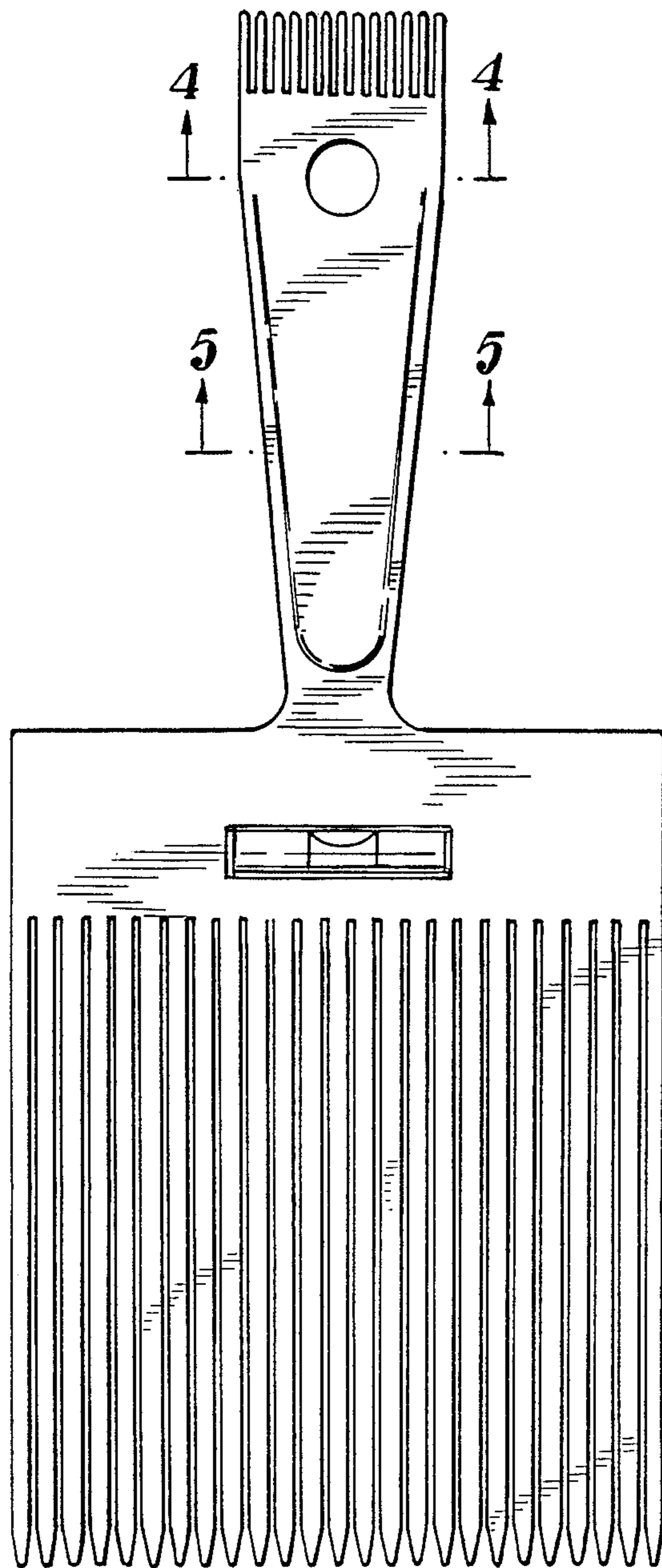
[57] **CLAIM**

The ornamental design for a hair comb, as shown and described.

**DESCRIPTION**

FIG. 1 is a front elevational view of a hair comb showing my new design;  
FIG. 2 is a left side elevational view thereof, the opposite side being a mirror image of the side shown;  
FIG. 3 is a rear elevational view thereof;  
FIG. 4 is a sectional view taken on line 4—4 of FIG. 1; and  
FIG. 5 is a sectional view taken on the line 5—5 of FIG. 1.





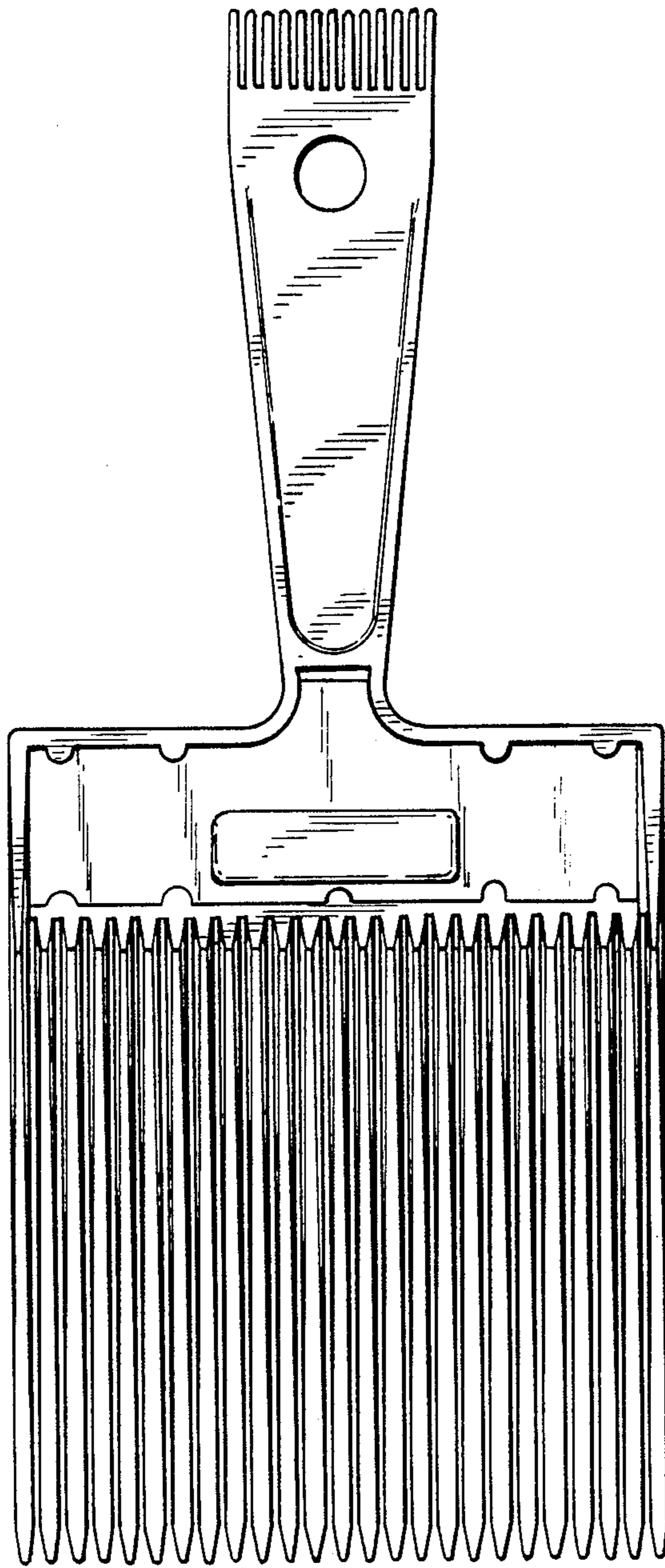


FIG. 3.

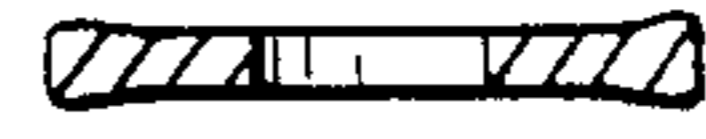


FIG. 4.



FIG. 5.