

[54] GLASS LAMP SHADE

1,042,463 10/1912 Mygatt 362/340

[75] Inventors: Fran M. Dordick, Lyndhurst; David H. Porter, Chagrin Falls, both of Ohio

[73] Assignee: L. D. Kichler Co., Cleveland, Ohio

[**] Term: 14 Years

[21] Appl. No.: 365,037

[22] Filed: Jun. 12, 1989

[52] U.S. Cl. D26/133

[58] Field of Search D26/118, 128-137; 362/326-361

[56] References Cited

U.S. PATENT DOCUMENTS

D. 45,923 6/1914 Beam D26/133
1,019,179 3/1912 Mygatt 362/340

OTHER PUBLICATIONS

MacBeth-Evans Glass Co., Shades & Globes, catalog #42, 1912, p. 99, Shade 2640.

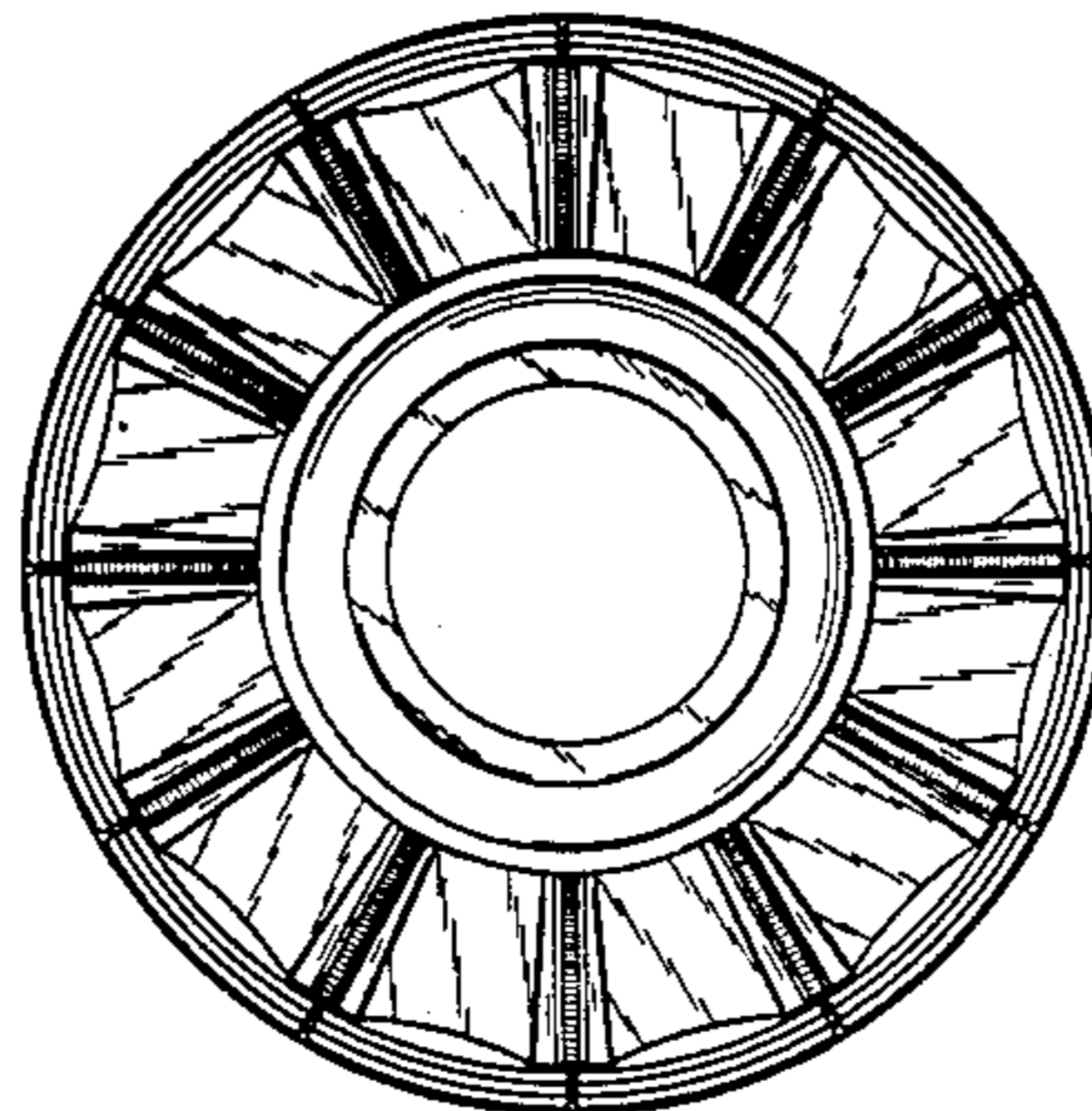
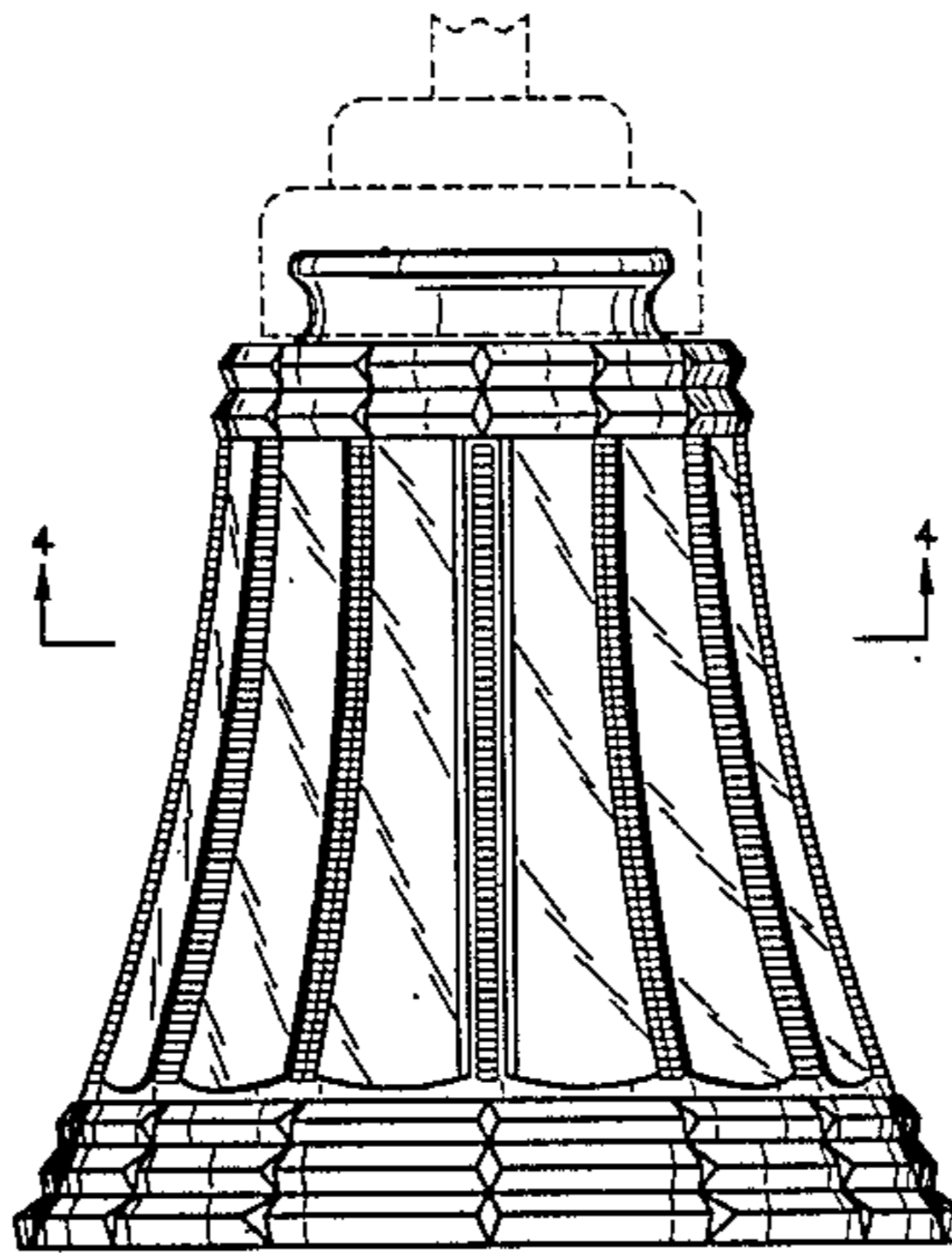
Primary Examiner—Susan J. Lucas
Attorney, Agent, or Firm—Tarolli, Sundheim & Covell

[57] CLAIM

The ornamental design for a glass lamp shade, as shown and described.

DESCRIPTION

FIG. 1 is a side elevational view of a glass lamp shade showing our new design, the broken lines being shown for illustrative purposes only;
FIG. 2 is a top plan thereof;
FIG. 3 is a bottom plan view thereof;
FIG. 4 is a cross-sectional view thereof as taken along line 4—4 of FIG. 1.



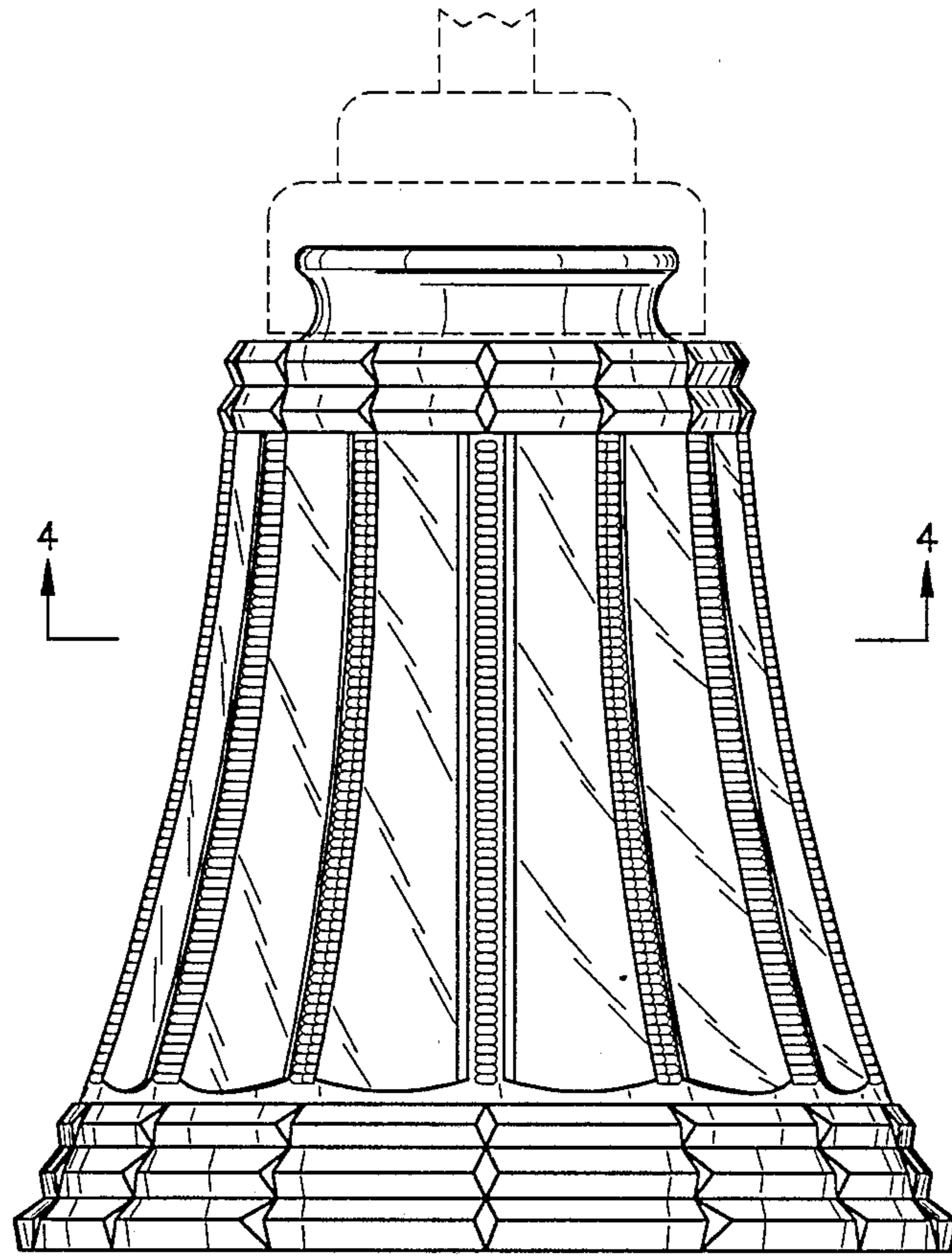


Fig.1

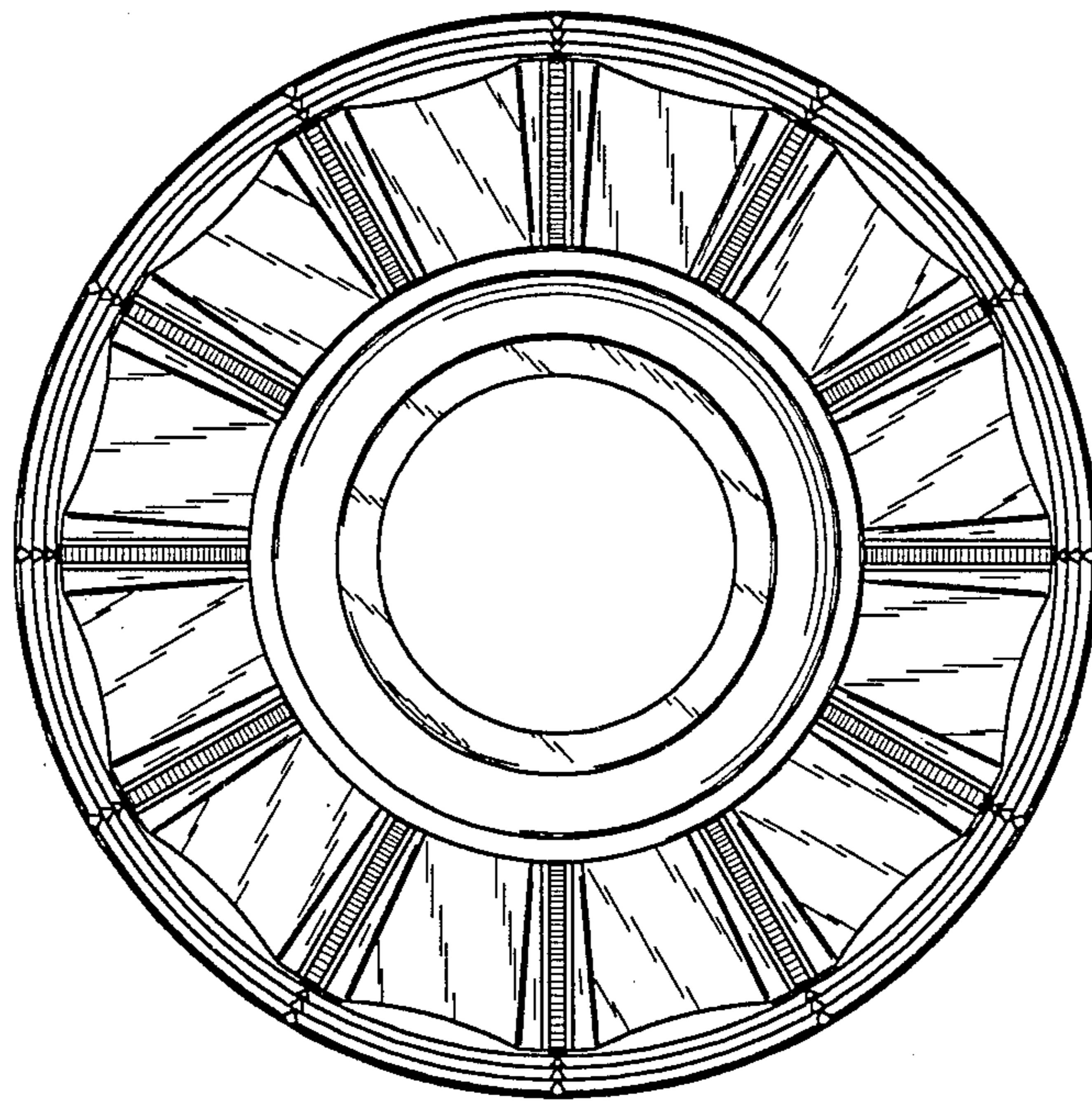


Fig.2

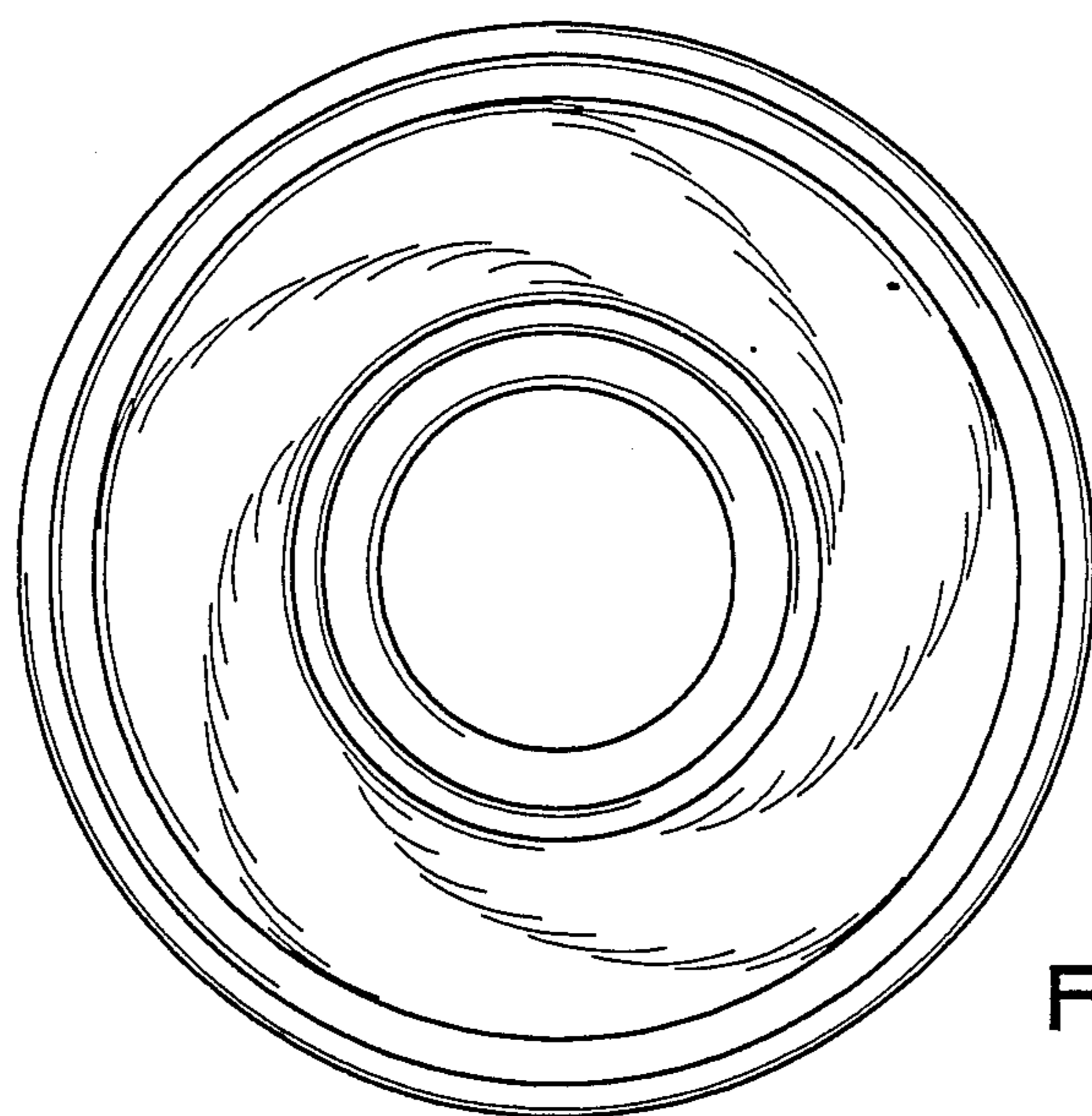


Fig.3

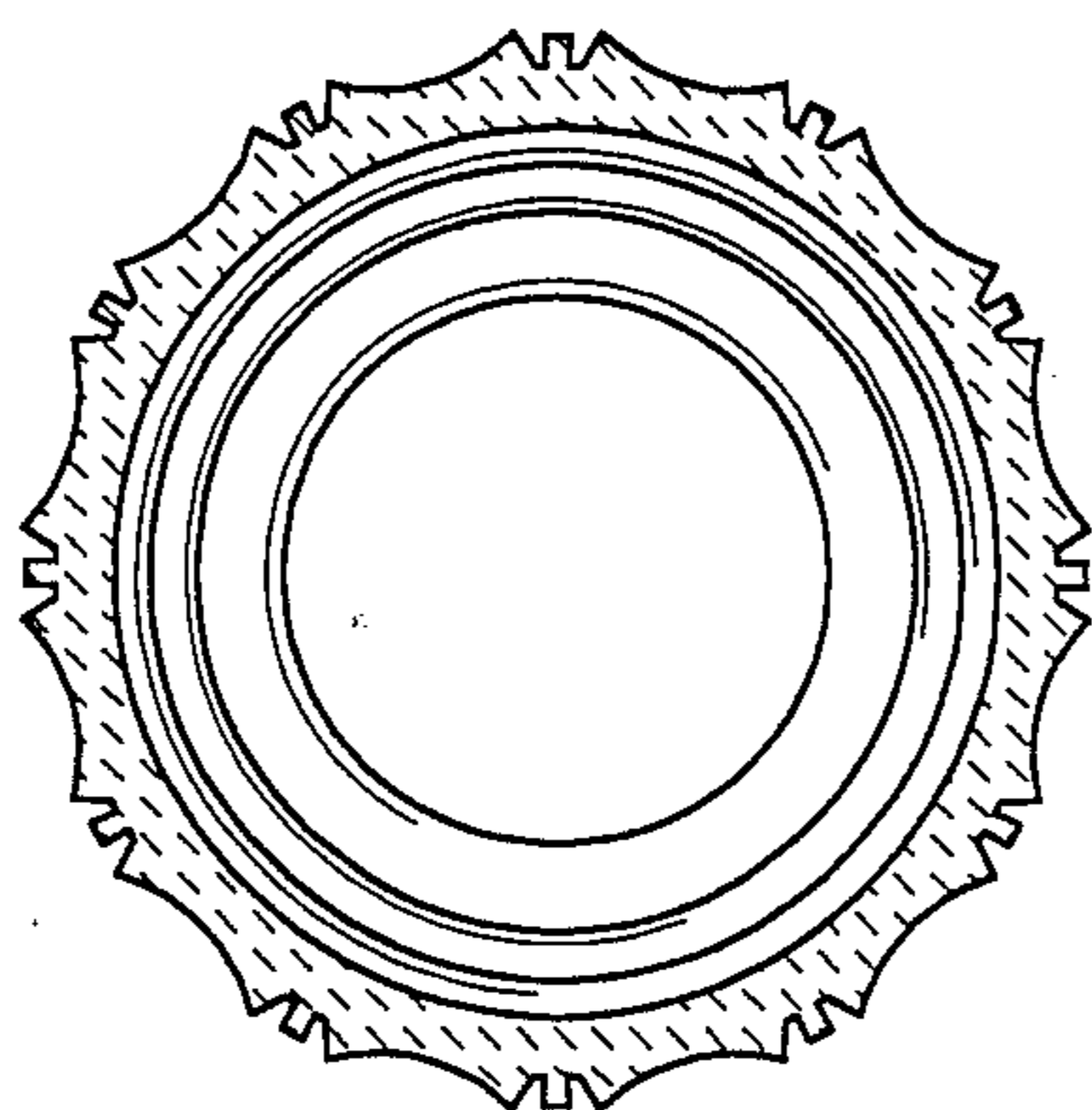


Fig.4