

[54] **REFLECTOR FOR LAMPS**
[75] **Inventor: Jack Poot, Schipluiden, Netherlands**
[73] **Assignee: Poot Lichtenergie B.V., Schipluiden, Netherlands**
[**] **Term: 14 Years**
[21] **Appl. No.: 85,333**
[22] **Filed: Aug. 14, 1987**
[52] **U.S. Cl. D26/118**
[58] **Field of Search D26/118, 128-137; 362/216, 217, 218, 221, 222, 223, 362, 341, 343, 346, 347, 297, 304, 311**

4,531,180 7/1985 Hernandez 362/346 X

Primary Examiner—Susan J. Lucas
Attorney, Agent, or Firm—Hill, Van Santen, Steadman & Simpson

[57] **CLAIM**

The ornamental design for a reflector for lamps, as shown.

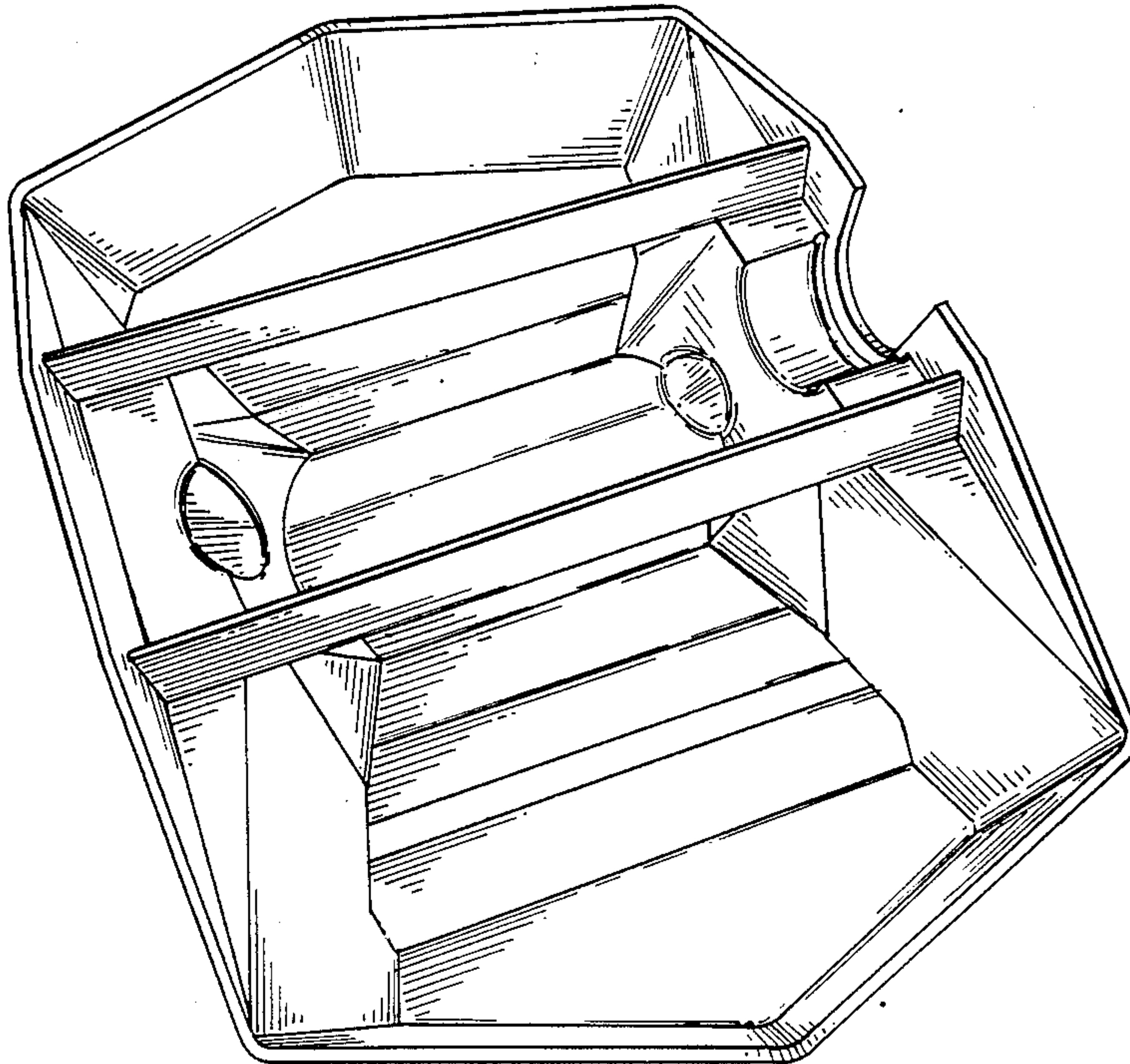
DESCRIPTION

FIG. 1 is a bottom perspective view of a reflector for lamps showing my new design;
FIG. 2 is a top plan view thereof;
FIG. 3 is a bottom plan view thereof;
FIG. 4 is an inverted elevational view thereof as seen from the right hand side of FIG. 1;
FIG. 5 is an elevational view thereof as seen from the left hand side of FIG. 1;
FIG. 6 is an end elevational view thereof as seen from the right of FIG. 3, the opposite end being a mirror image.

[56] **References Cited**

U.S. PATENT DOCUMENTS

D. 174,221 3/1955 Hatch, Jr. et al. D26/128
D. 259,738 6/1981 Boschetti D26/128 X
D. 270,577 9/1983 DeVos et al. D26/118



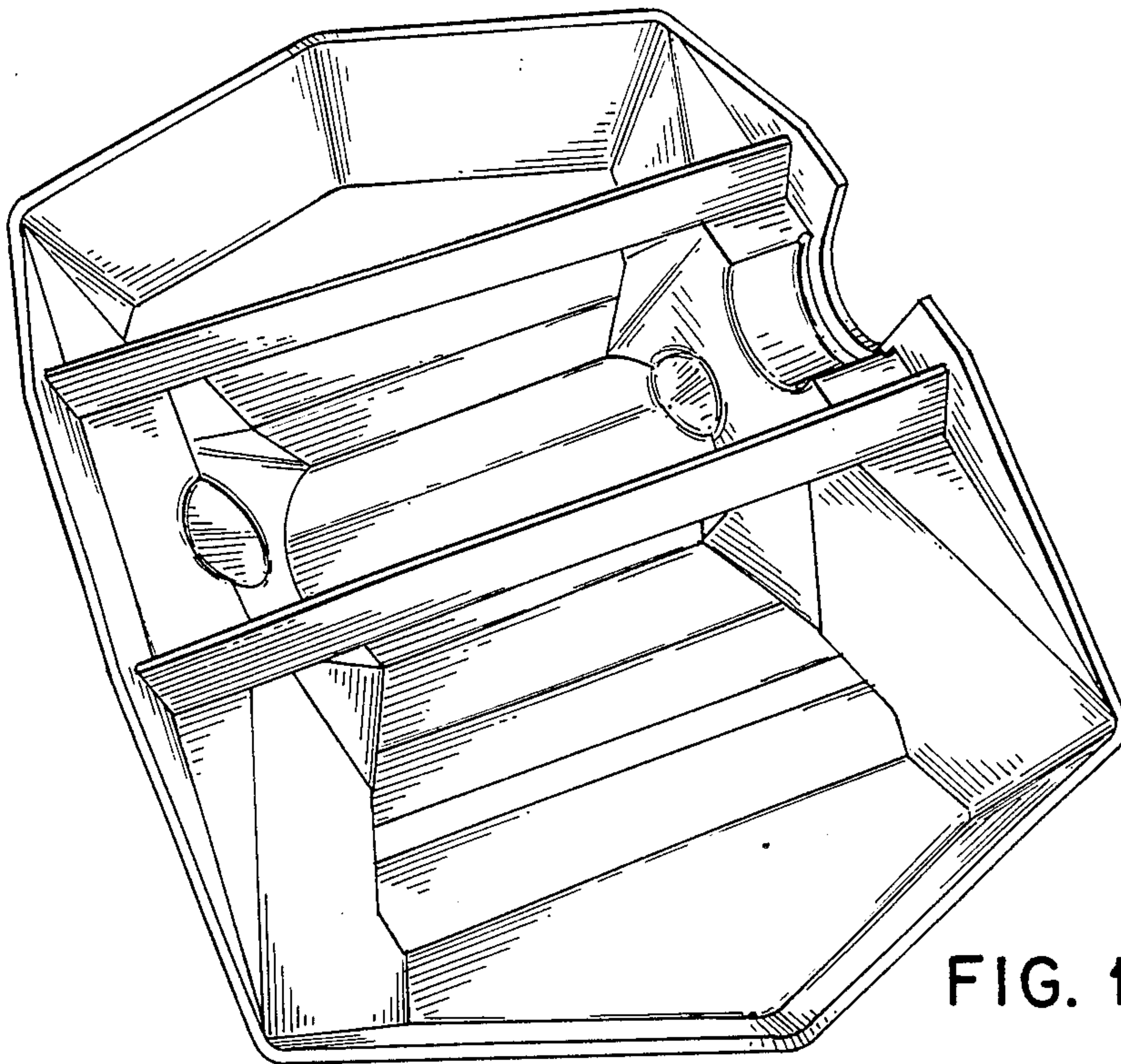


FIG. 1

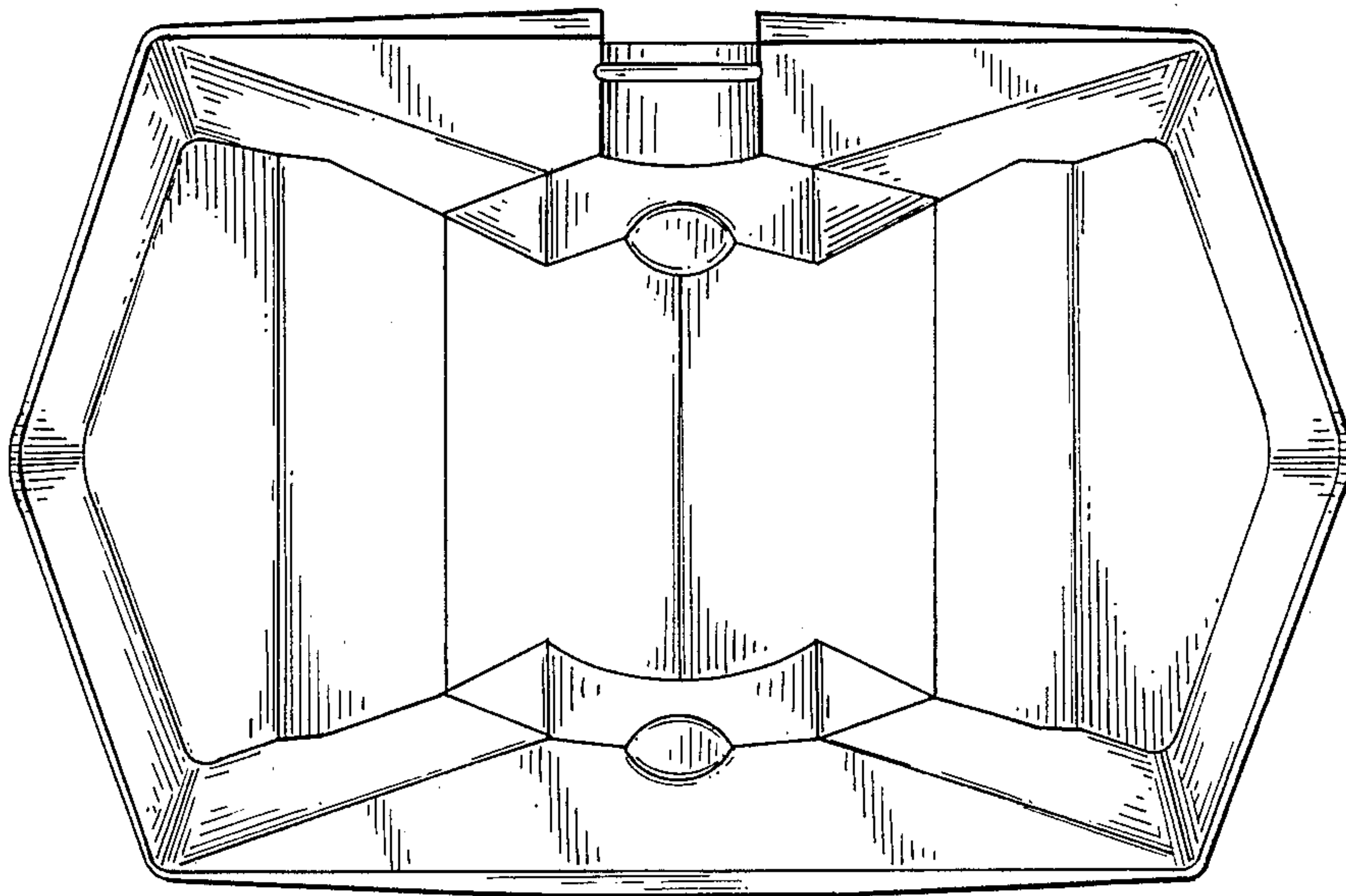


FIG. 2

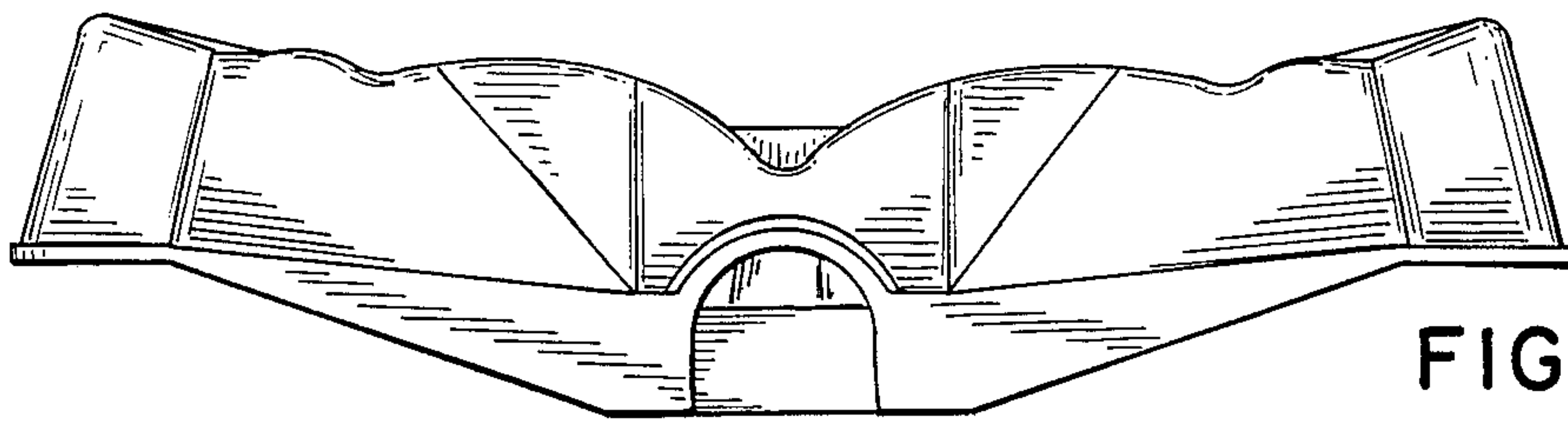


FIG. 4

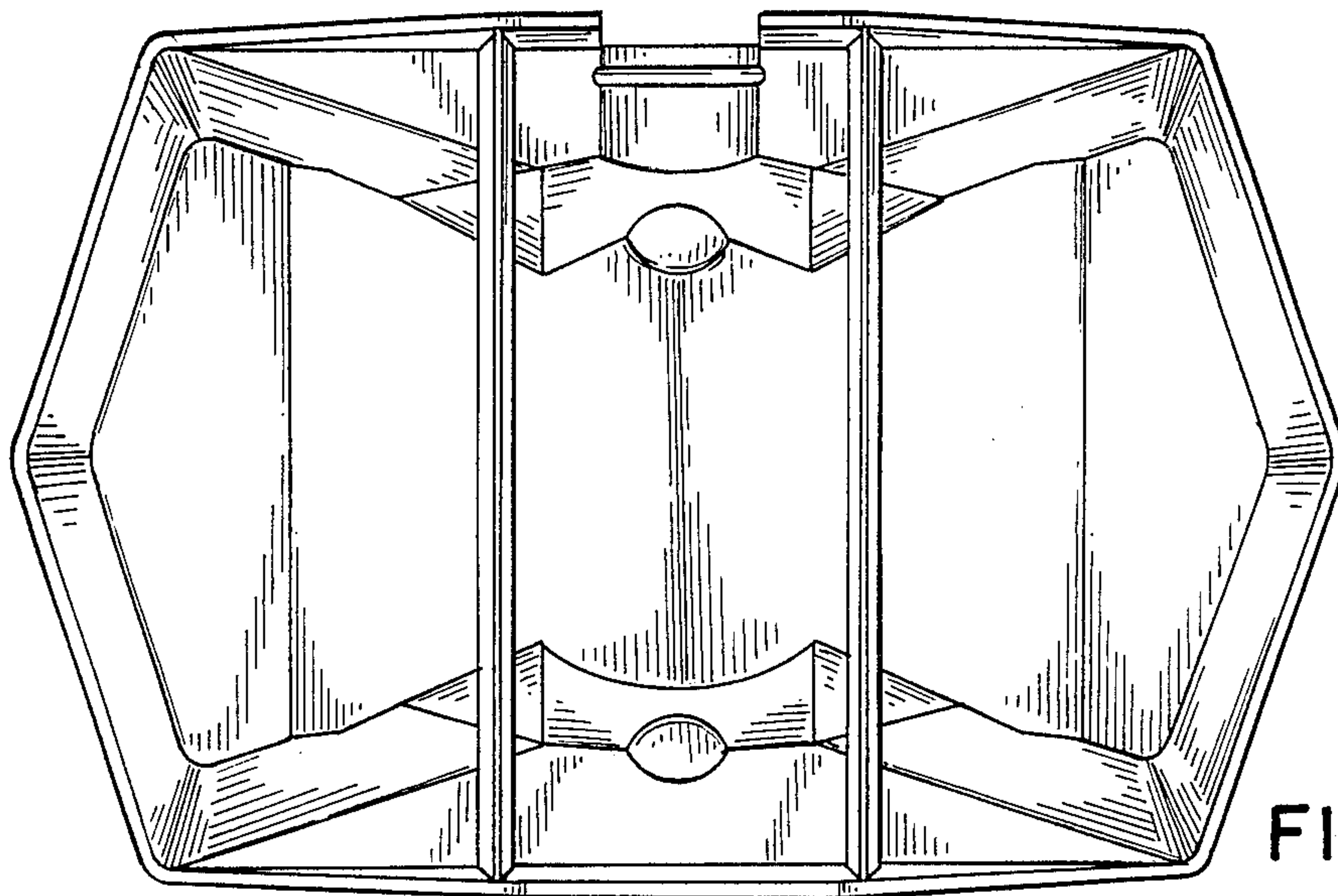


FIG. 3

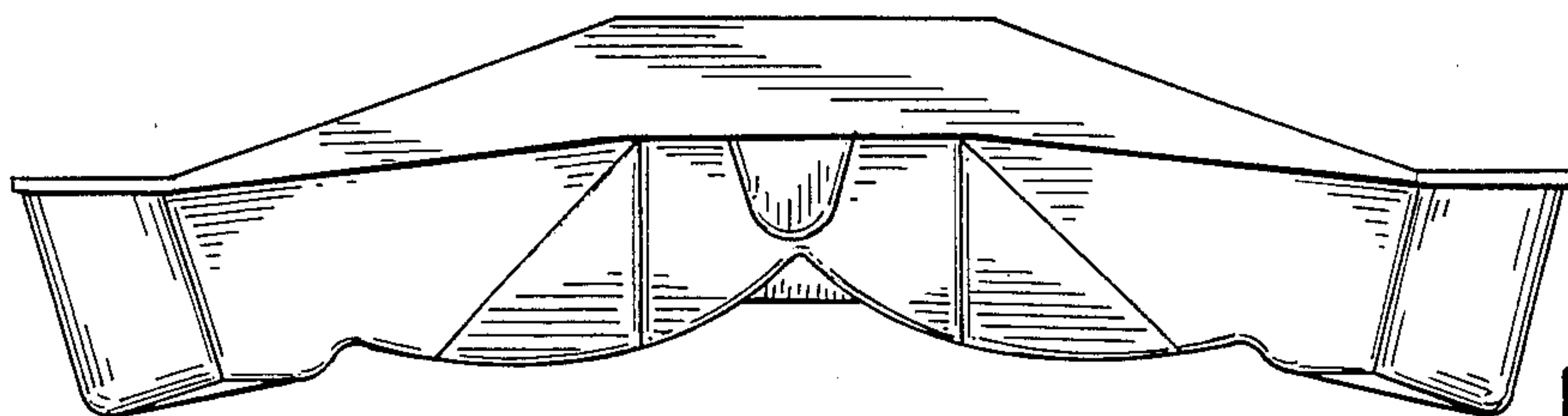


FIG. 5

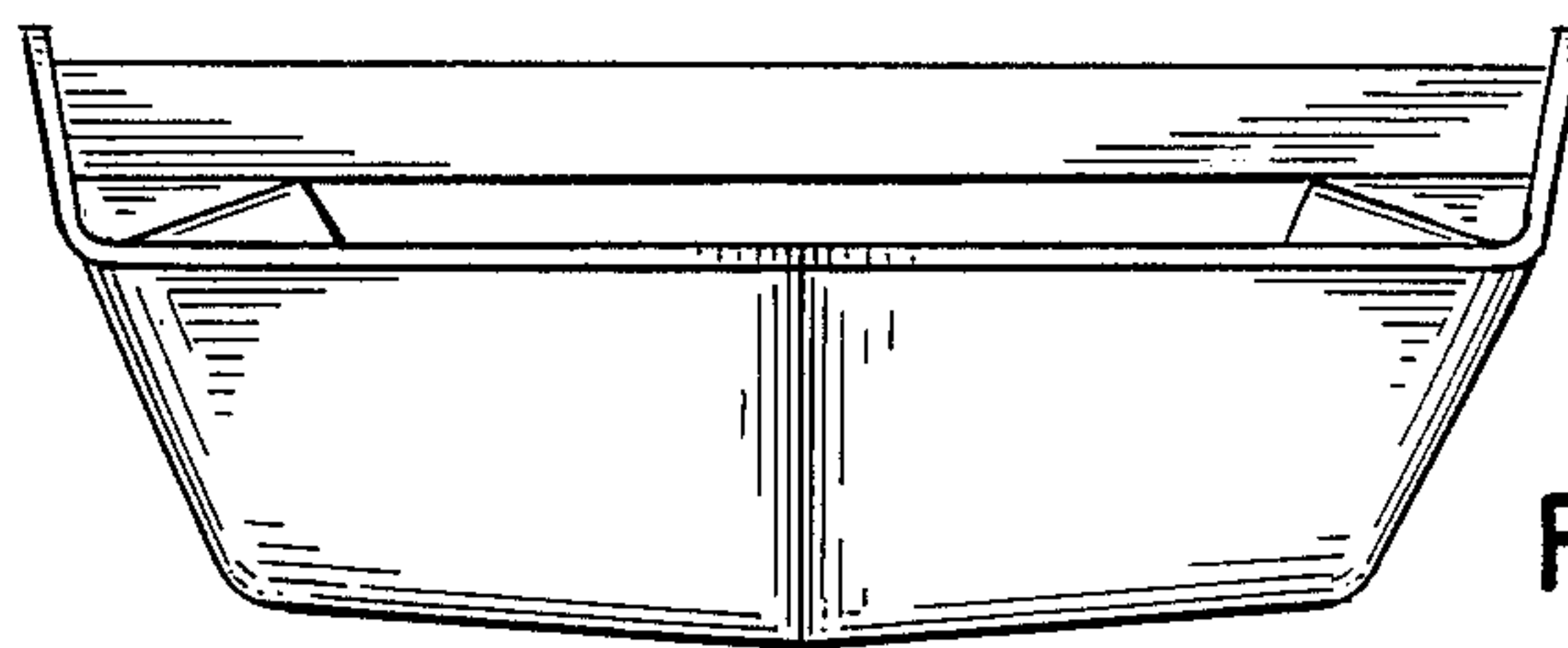


FIG. 6