

United States Patent [19]

Jones

[11] Patent Number: Des. 311,592

[45] Date of Patent: ** Oct. 23, 1990

[54] ELECTRIC LANTERN

[75] Inventor: Gary B. Jones, Aurora, Colo.

[73] Assignee: Havis-Shields Equipment Corporation, Warminster, Pa.

[**] Term: 14 Years

[21] Appl. No.: 111,970

[22] Filed: Oct. 23, 1987

[52] U.S. Cl. D26/44

[58] Field of Search D26/37-50;
362/157-158, 183-208

[56] **References Cited**

U.S. PATENT DOCUMENTS

D. 162,578 3/1951 Potekin D26/44
D. 190,520 6/1961 Graubner D26/44

D. 265,427 7/1982 Mann D26/44
1,282,219 10/1918 Grether 362/188 X
3,015,719 1/1962 Kirkman D26/44 X

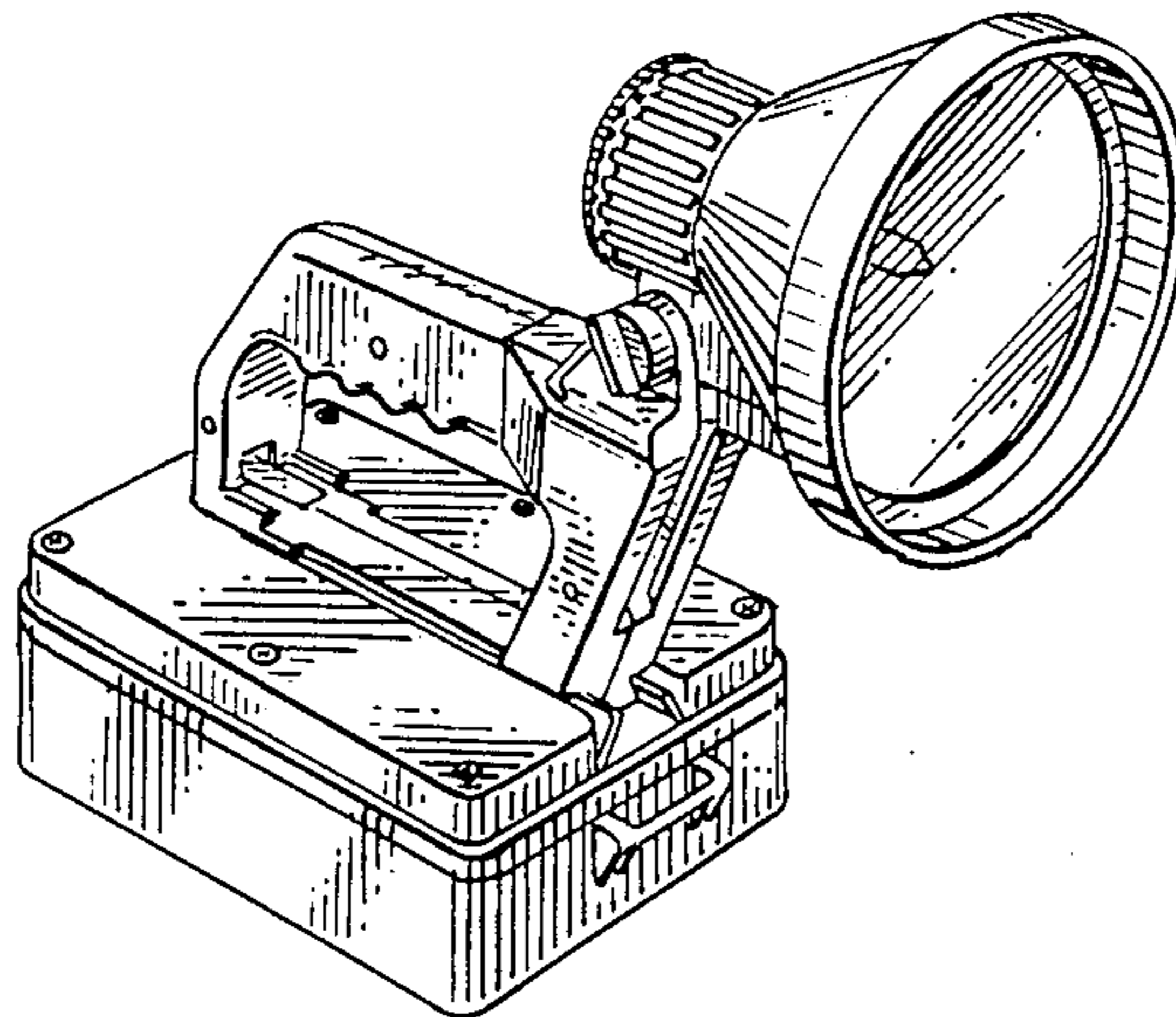
Primary Examiner—Susan J. Lucas
Assistant Examiner—M. H. Tung

[57] **CLAIM**

The ornamental design for an electric lantern, as shown and described.

DESCRIPTION

FIG. 1 is a top, front side perspective view of an electric lantern showing my new design, on a reduced scale; FIG. 2 is a right side elevational view thereof; FIG. 3 is a left side elevational view thereof; FIG. 4 is a top plan view thereof; FIG. 5 is a front elevational view thereof; FIG. 6 is a rear elevational view thereof; and FIG. 7 is a bottom plan view thereof.



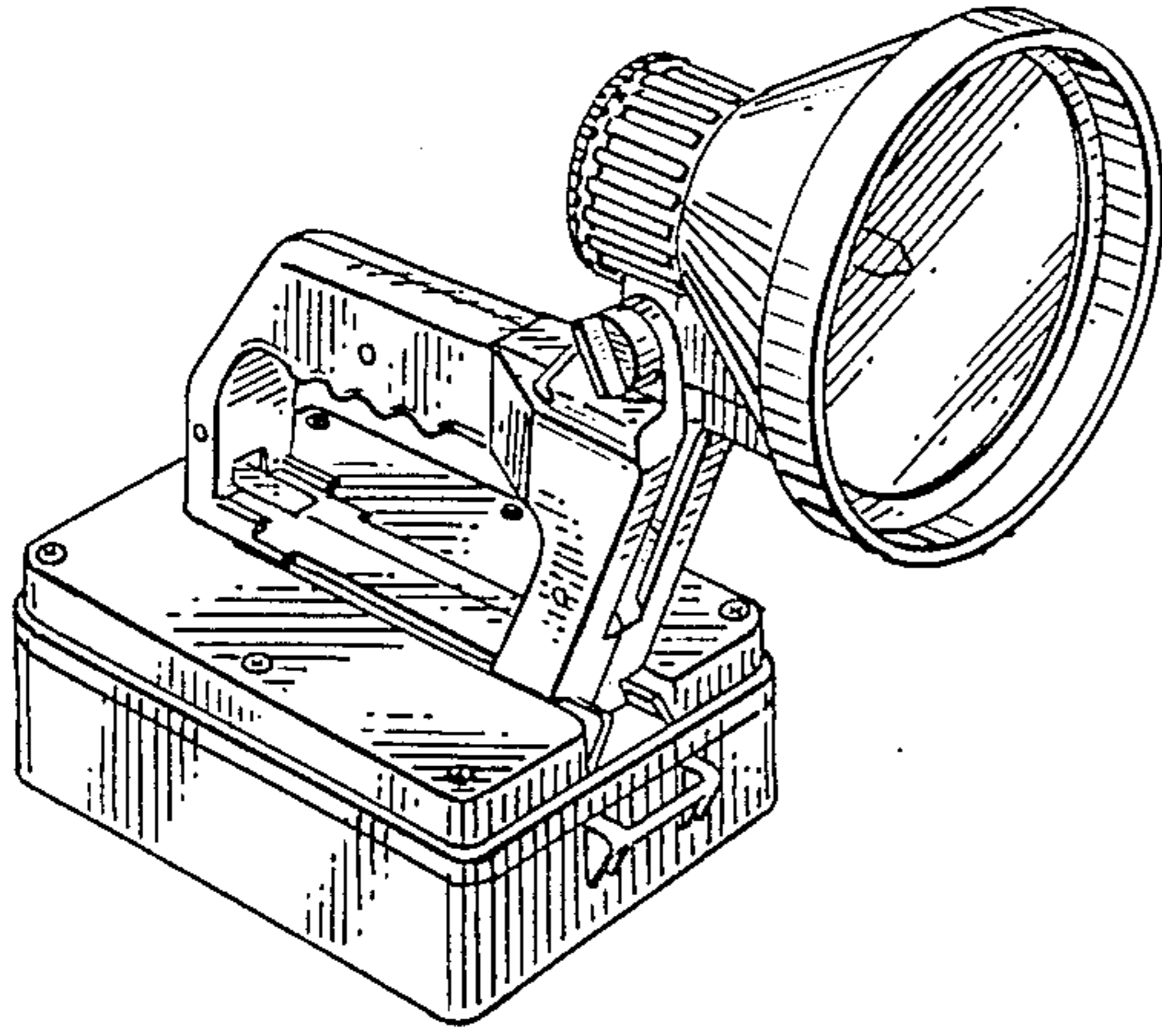


FIG. 1

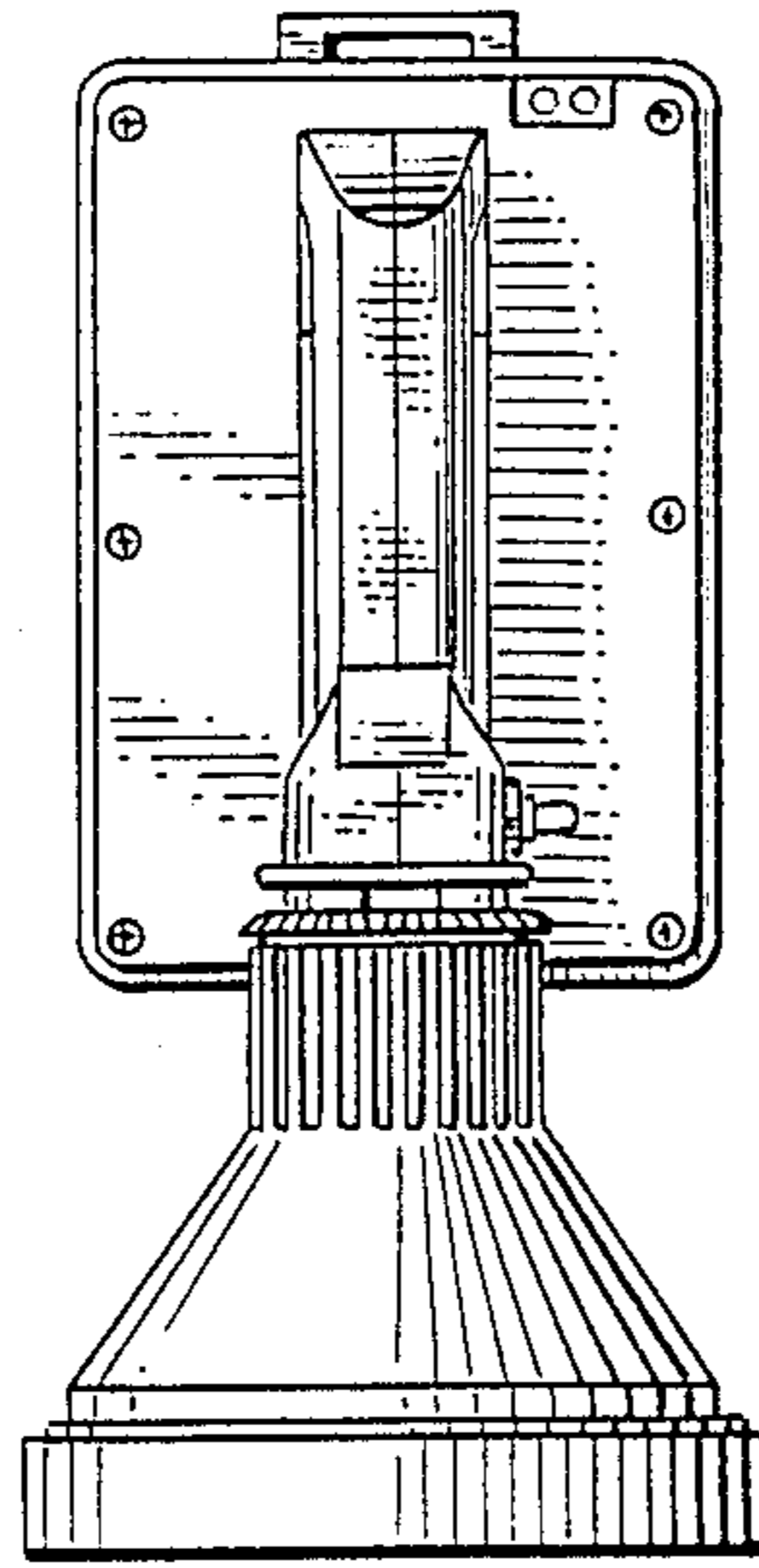


FIG. 4

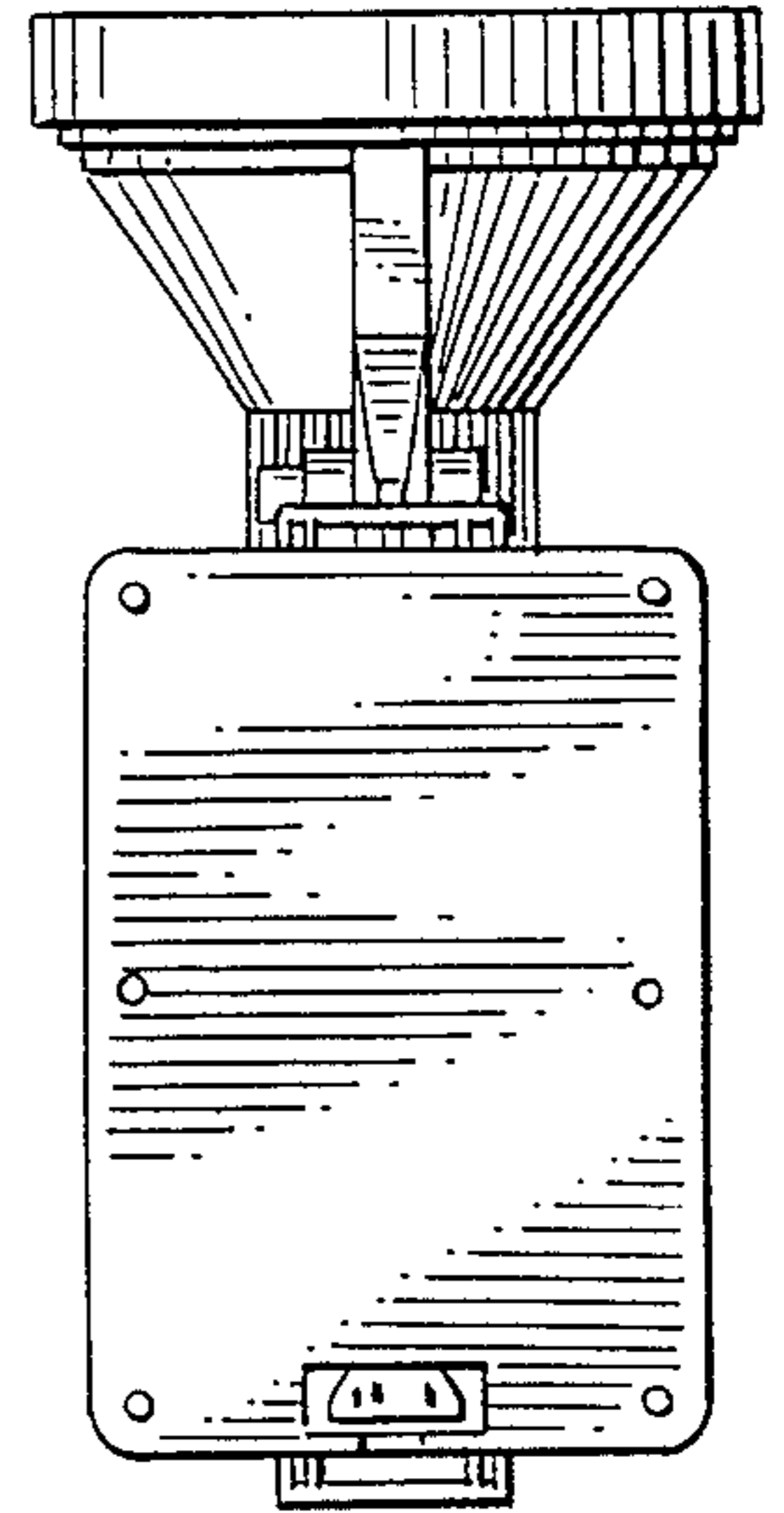


FIG. 7

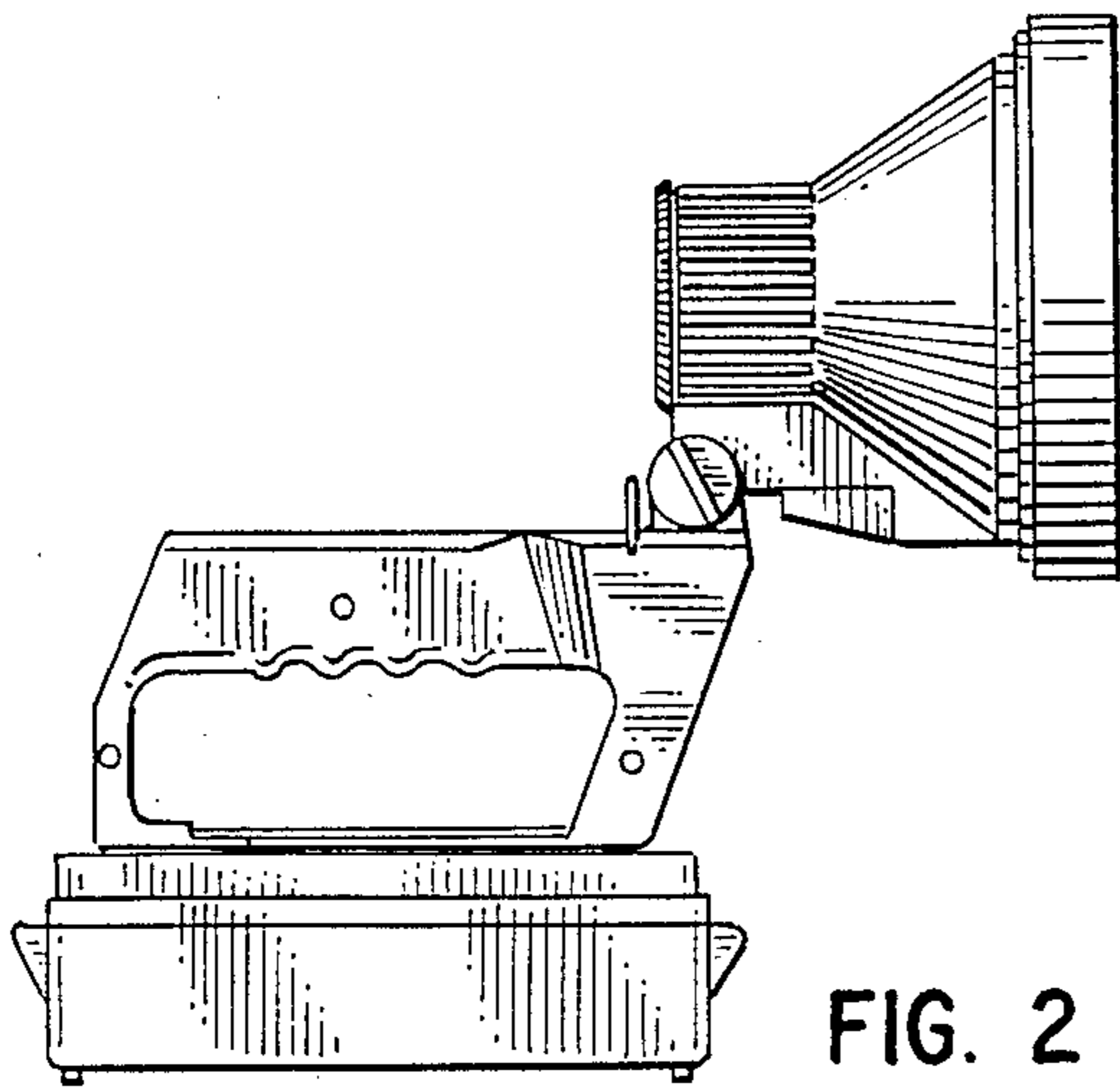


FIG. 2

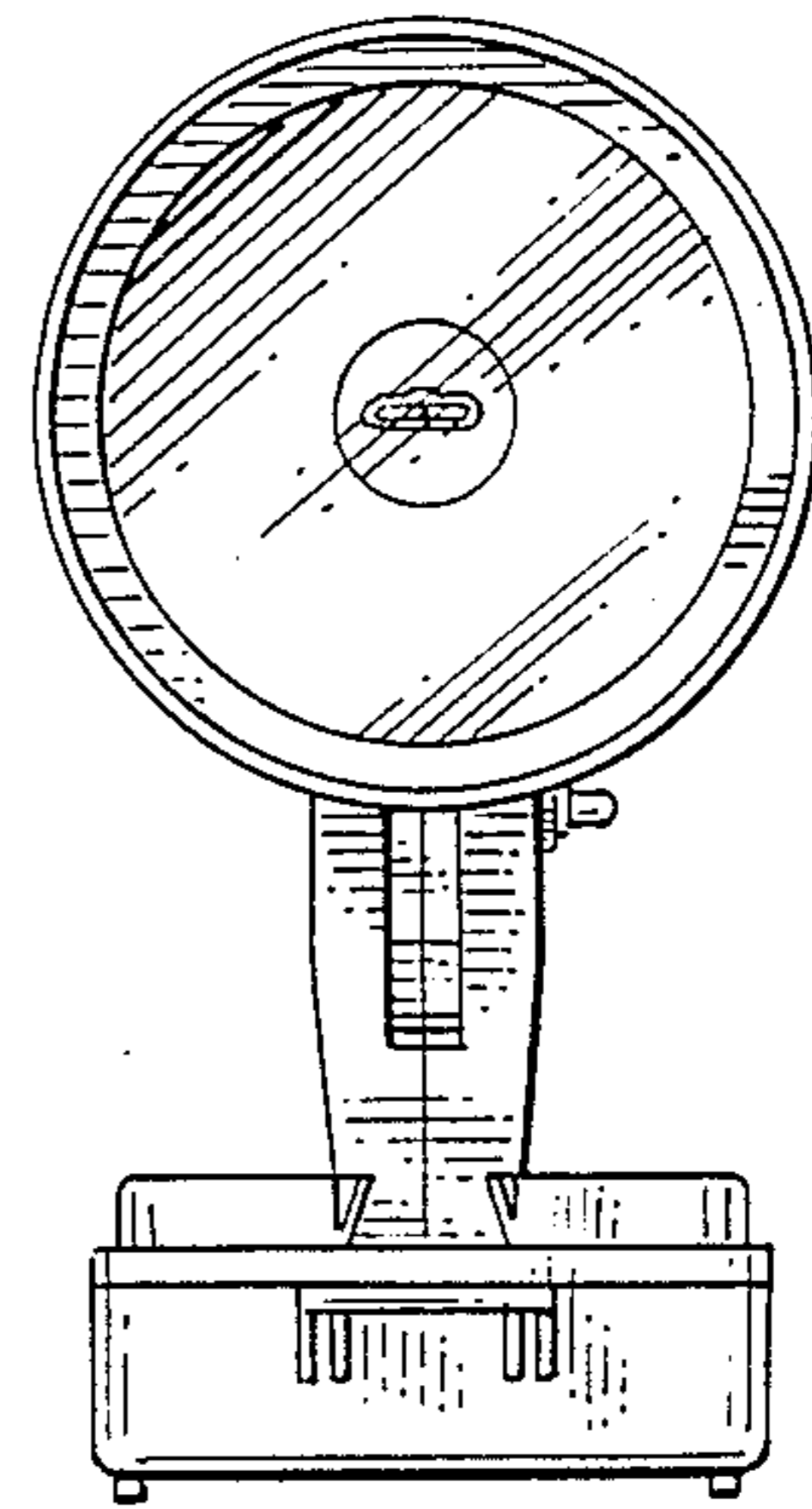


FIG. 5

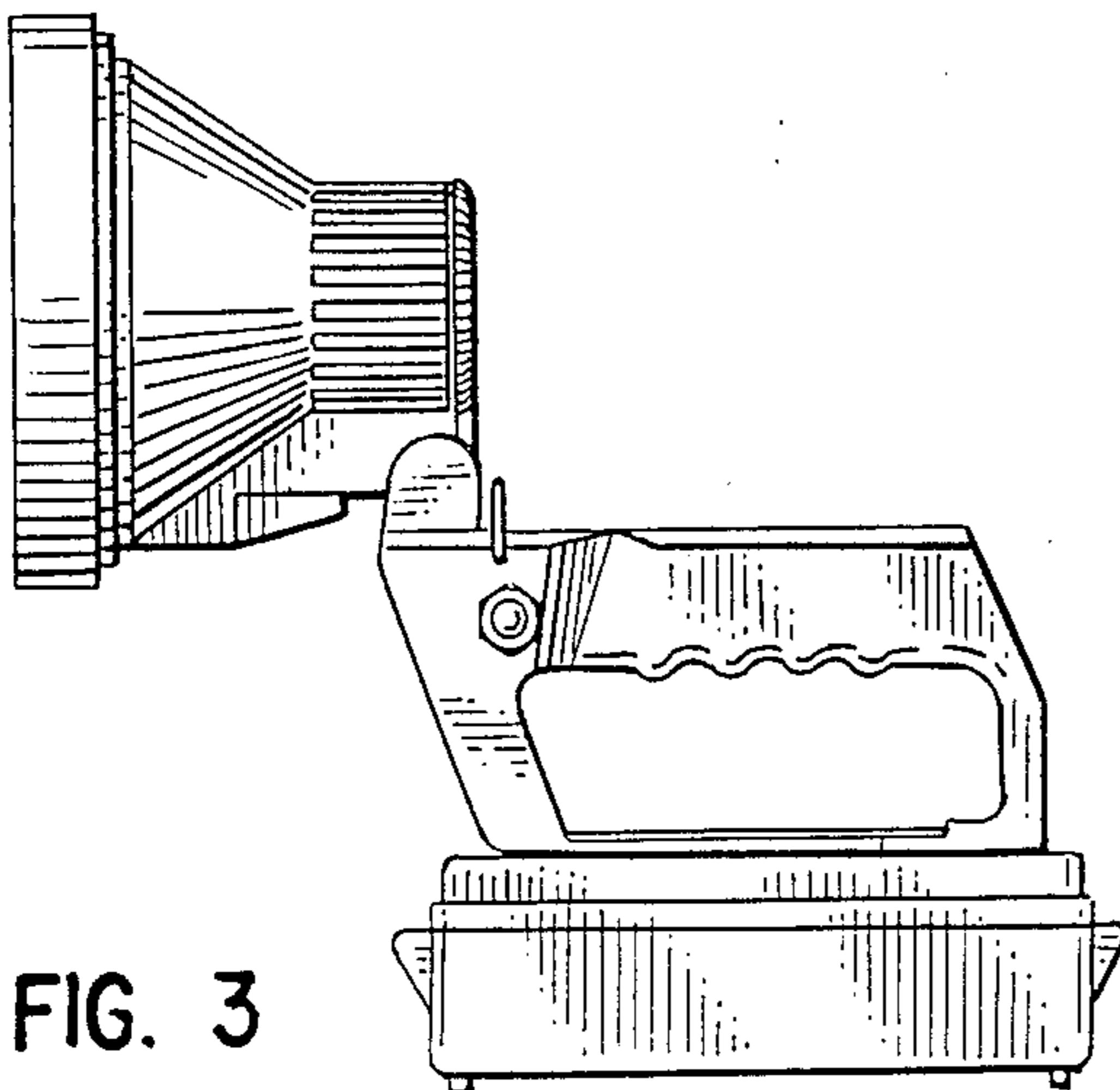


FIG. 3

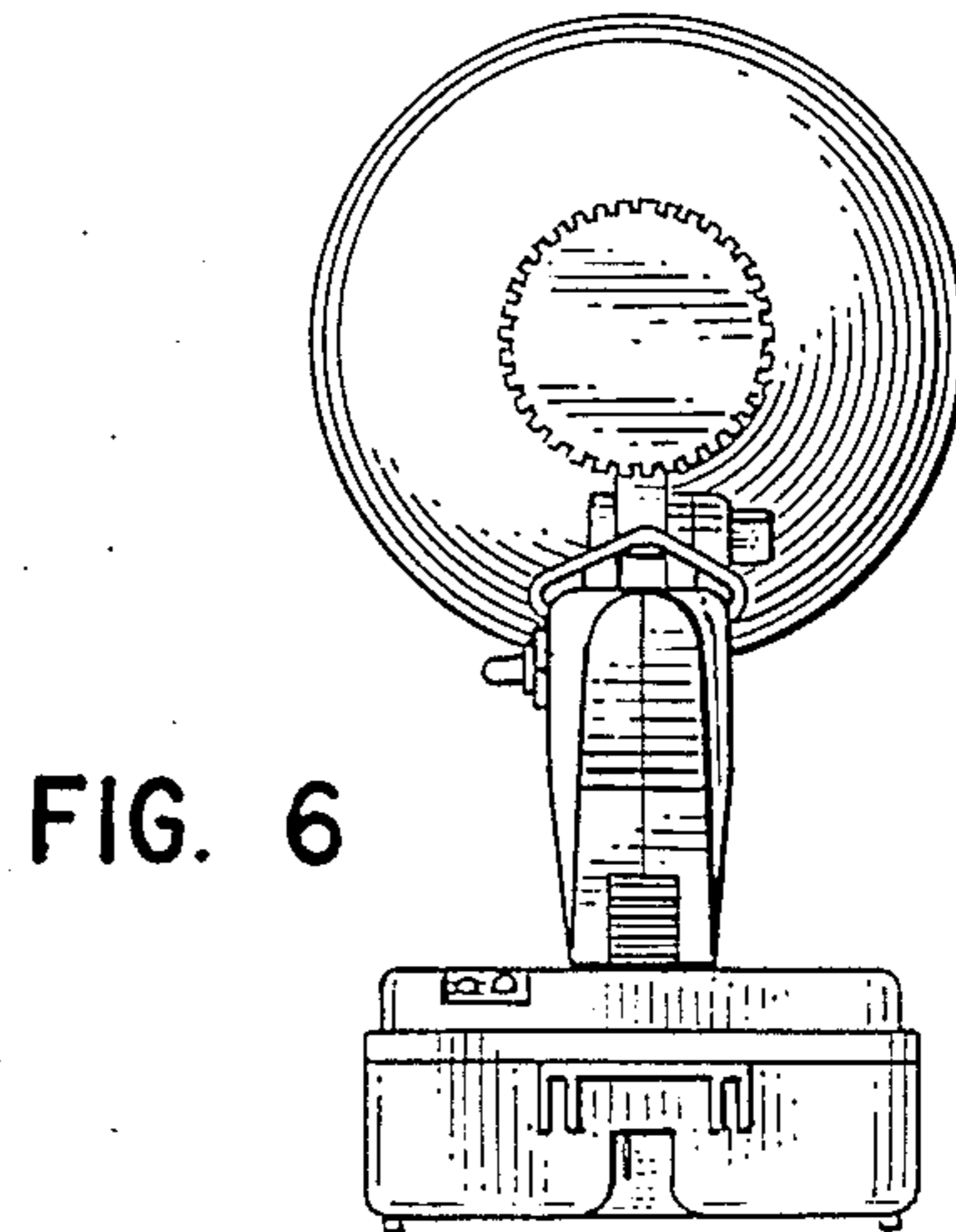


FIG. 6