

[54] COMBINED BATTERY AND FLASHLIGHT

[75] Inventors: Jack D. Jones; Carl A. Lewis, both of Lima, Ohio

[73] Assignee: Aircraft Dynamics Corporation, Elida, Ohio

[**] Term: 14 Years

[21] Appl. No.: 223,760

[22] Filed: Jul. 25, 1988

[52] U.S. Cl. D26/44

[58] Field of Search D26/37-50; 362/157-158, 191-208, 183-190

[56] References Cited

U.S. PATENT DOCUMENTS

D. 300,035	2/1989	Yuen	D26/38 X
3,015,719	1/1962	Kirkman	362/194 X

OTHER PUBLICATIONS

Sporty's Tool Shop catalog, item 8226T, Power Failure Light, 1983, p. 5.
Hardware Age, item Rechargeable Light, Feb. 1983, p. 108.

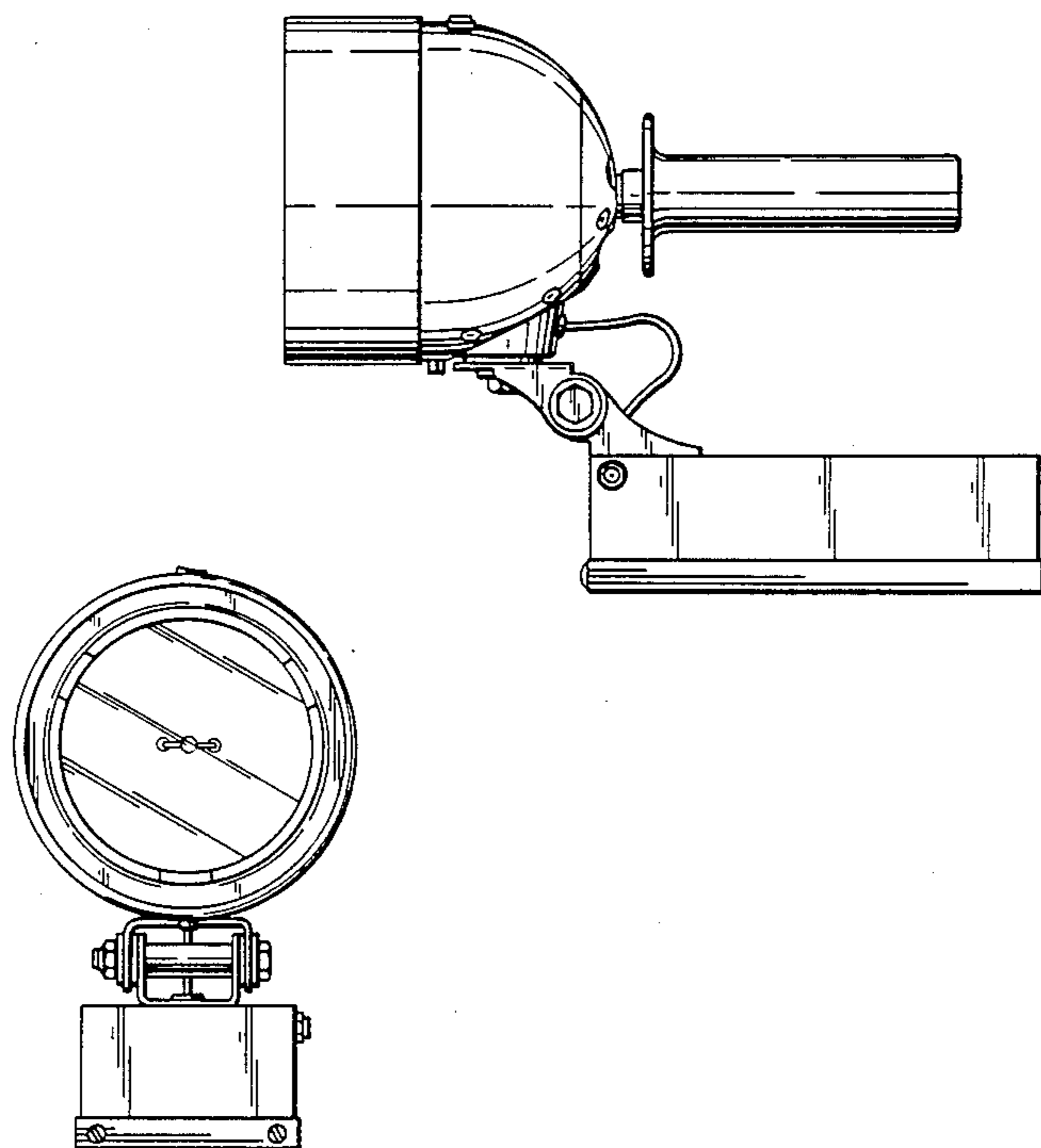
Primary Examiner—Susan J. Lucas
Assistant Examiner—M. H. Tung
Attorney, Agent, or Firm—Sidney W. Millard

[57] CLAIM

The ornamental design for a combined battery and flashlight, as shown and described.

DESCRIPTION

FIG. 1 is a left side elevational view of a combined battery and flashlight showing our new design; FIG. 2 is a front elevational view thereof; FIG. 3 is a top plan view thereof; FIG. 4 is a right side elevational view thereof; FIG. 5 is a rear elevational view thereof; FIG. 6 is a bottom plan view thereof.



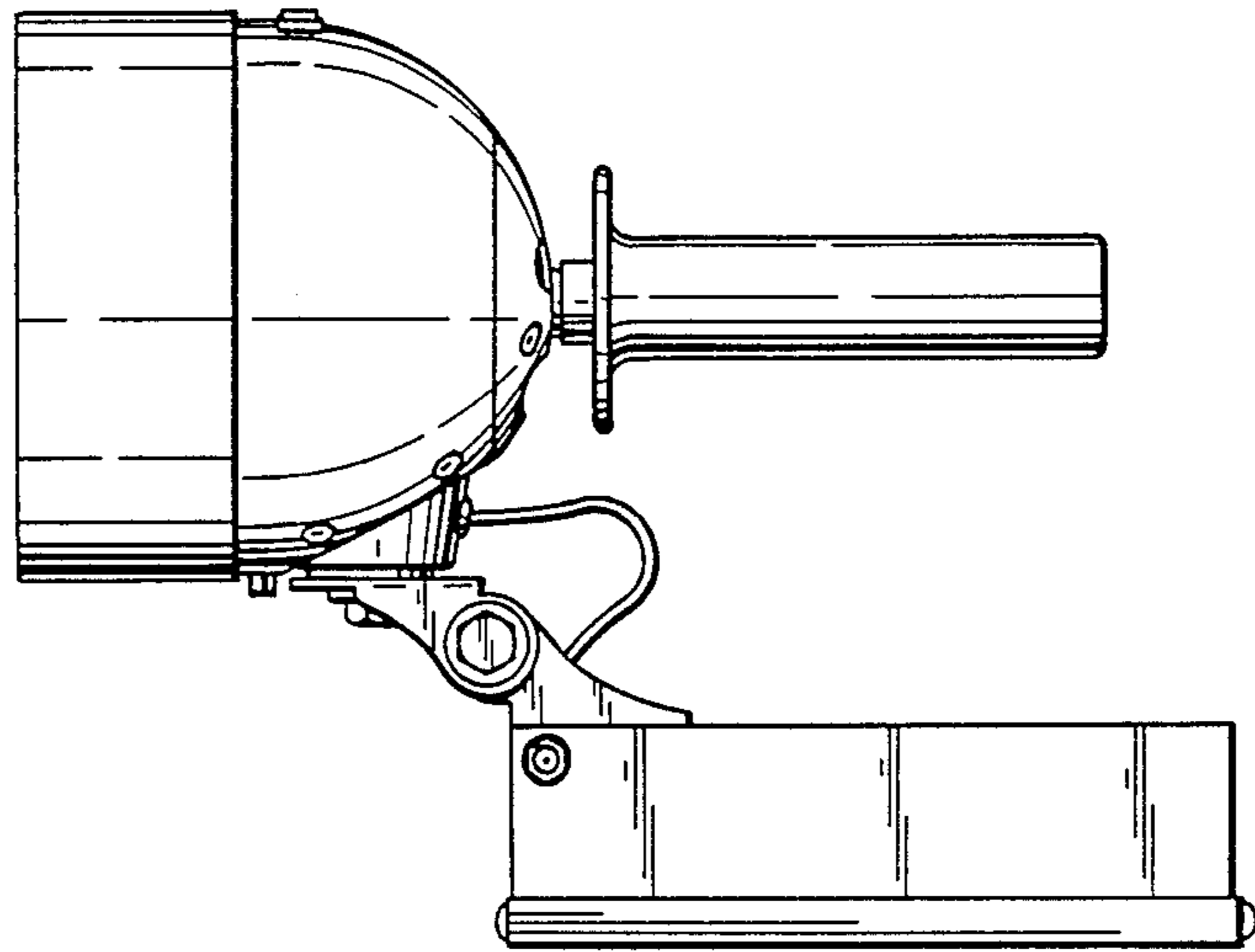


FIG. 1

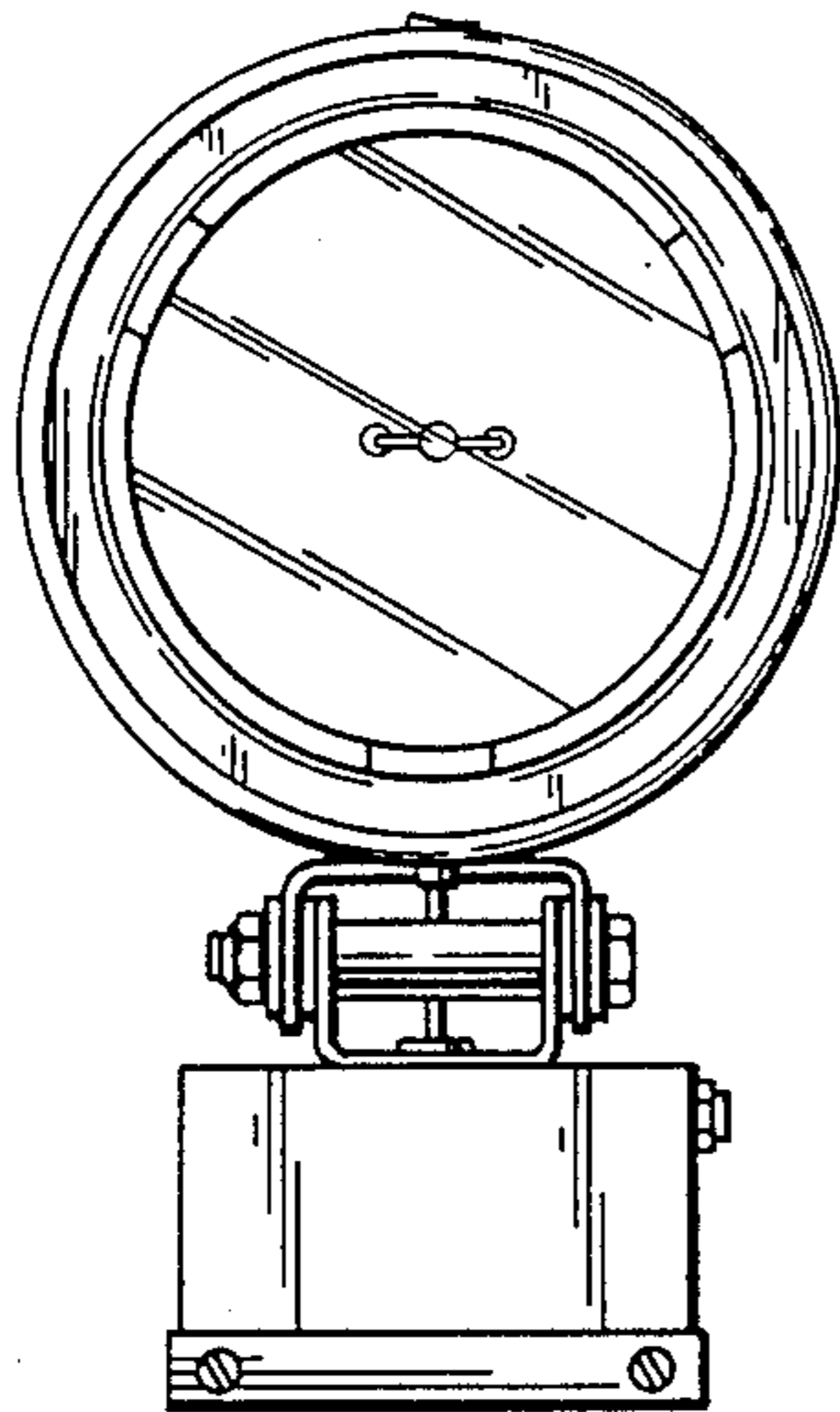


FIG. 2

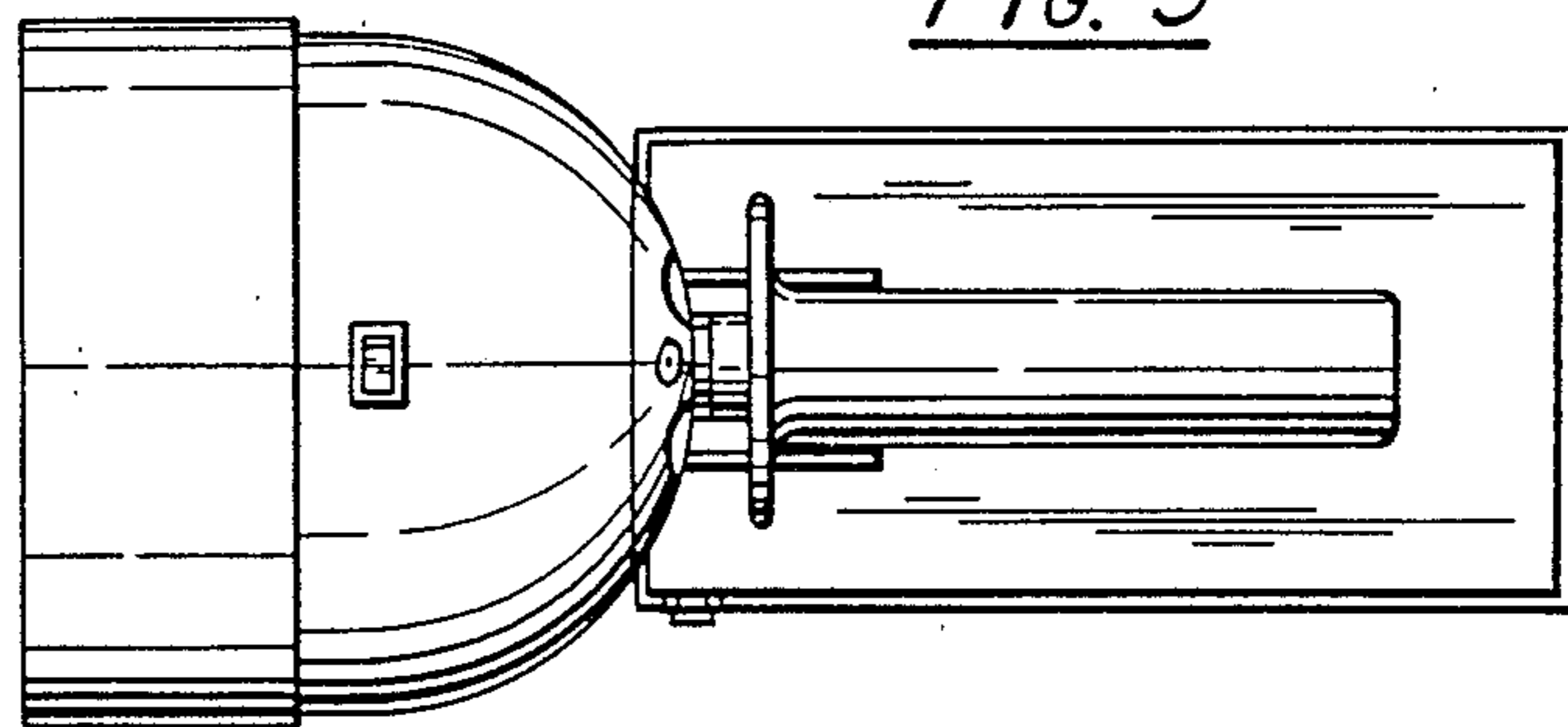


FIG. 3

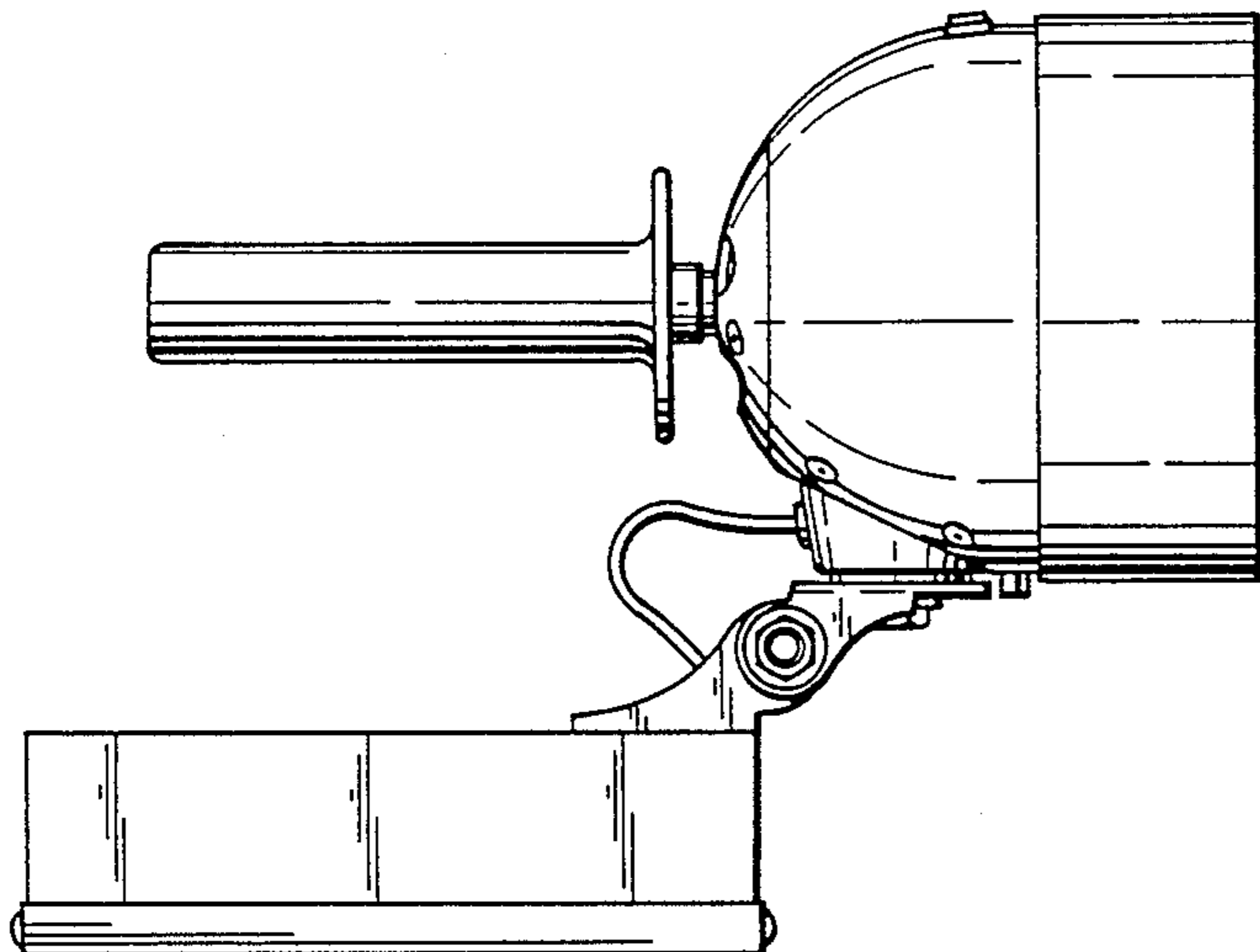


FIG. 4

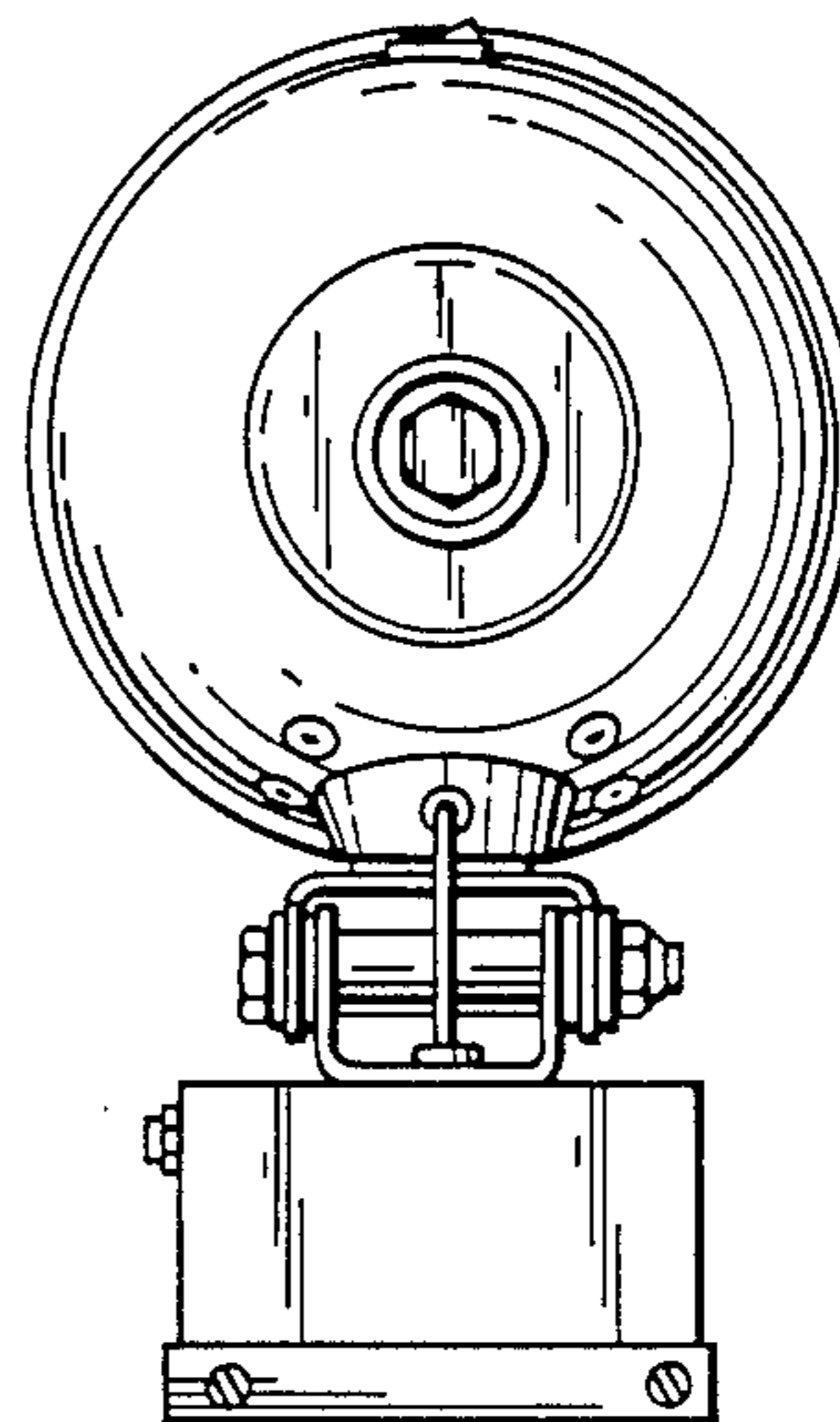


FIG. 5

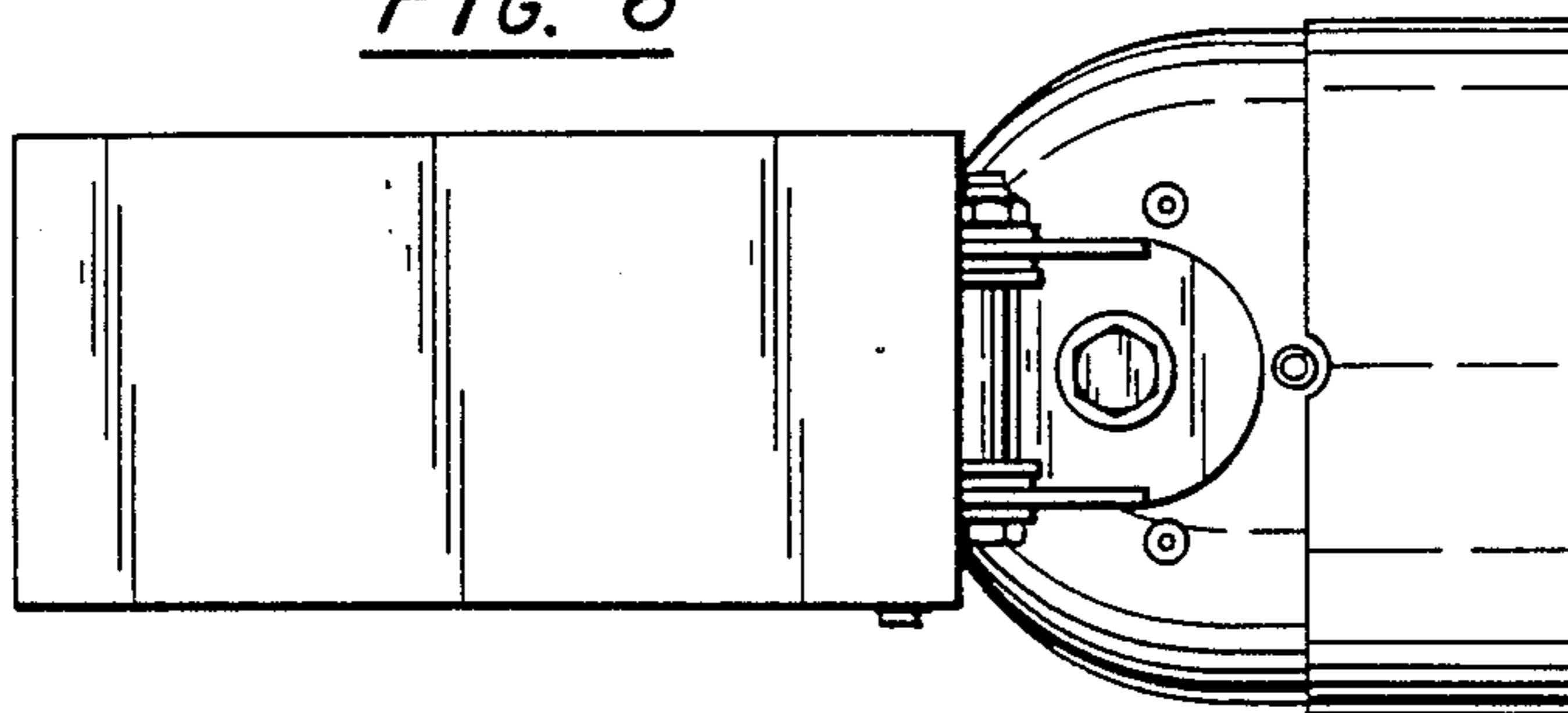


FIG. 6