

[54] **SHOWCASE LIGHT FIXTURE**

[76] **Inventors:** Joseph Benchimol, 26 Cocksfield Ave., Downsview, Ontario, Canada; Werner E. Dahnz, 28 Kimbermount Dr., Agincourt, Ontario, Canada, M4J 4J2

[**] **Term:** 14 Years

[21] **Appl. No.:** 93,513

[22] **Filed:** Sep. 4, 1987

[30] **Foreign Application Priority Data**

Mar. 23, 1987 [CA] Canada 23-03-87-8
[52] **U.S. Cl.** D26/24; D25/119; D26/75; D26/122
[58] **Field of Search** D26/24, 72, 80-92, D26/75-78, 118, 120, 128-137; 362/432; D25/119, 123

[56] **References Cited**

U.S. PATENT DOCUMENTS

D. 259,512	6/1981	Hallen	D25/119
D. 306,771	3/1990	Gecchelin	D26/75
2,569,934	10/1951	Kurtzon	362/125
4,598,341	7/1986	Brackhahn et al.	362/125

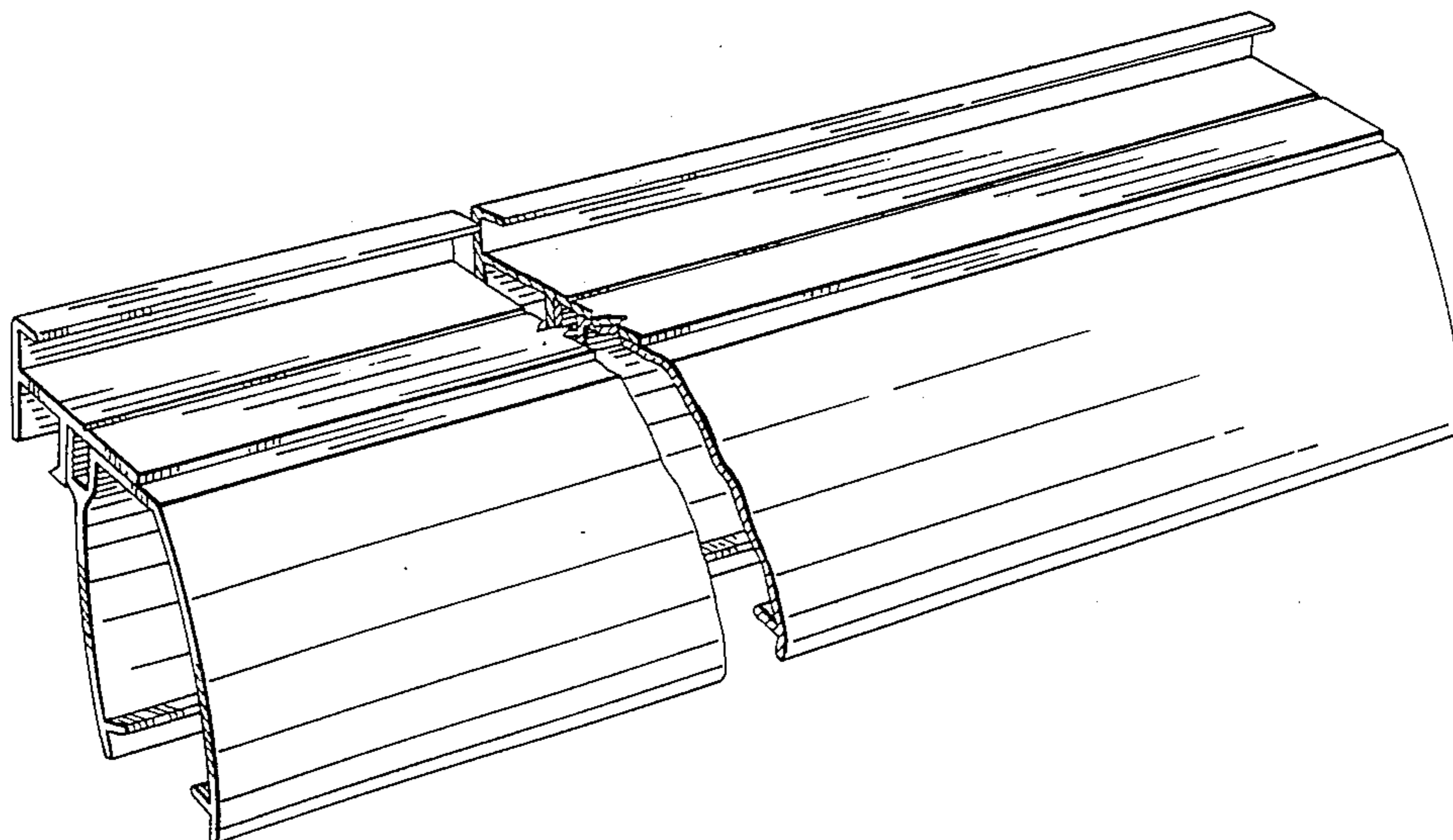
Primary Examiner—Susan J. Lucas
Attorney, Agent, or Firm—Sim & McBurney

[57] **CLAIM**

The ornamental design for a showcase light fixture, as shown and described.

DESCRIPTION

FIG. 1 is a fragmentary, top, front perspective view of a showcase light fixture showing our new design; FIG. 2 is a fragmentary, bottom, rear perspective view thereof; FIG. 3 is an end elevational view thereof; The fixture is broken away in FIGS. 1 and 2 to indicate indeterminate length.



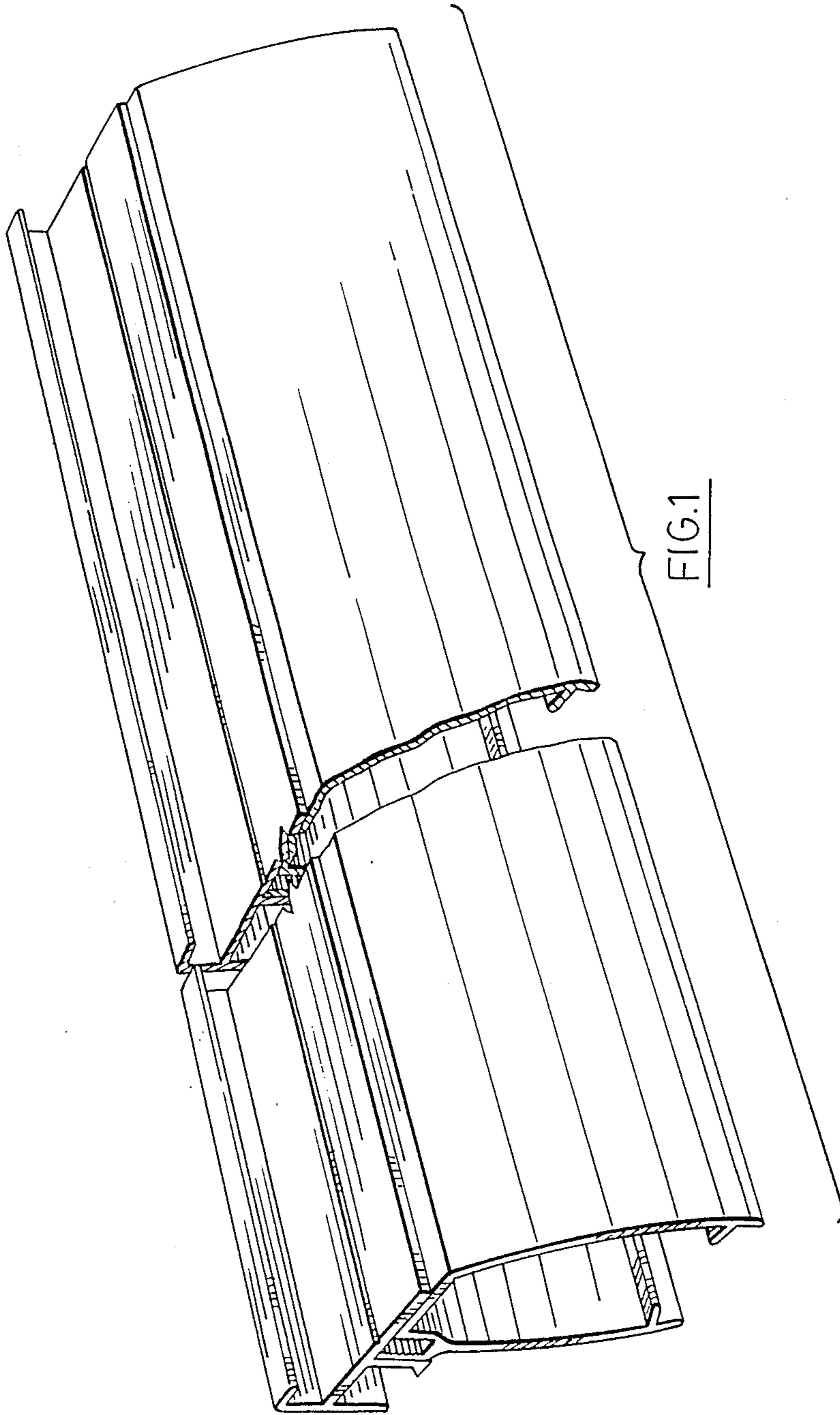


FIG. 1

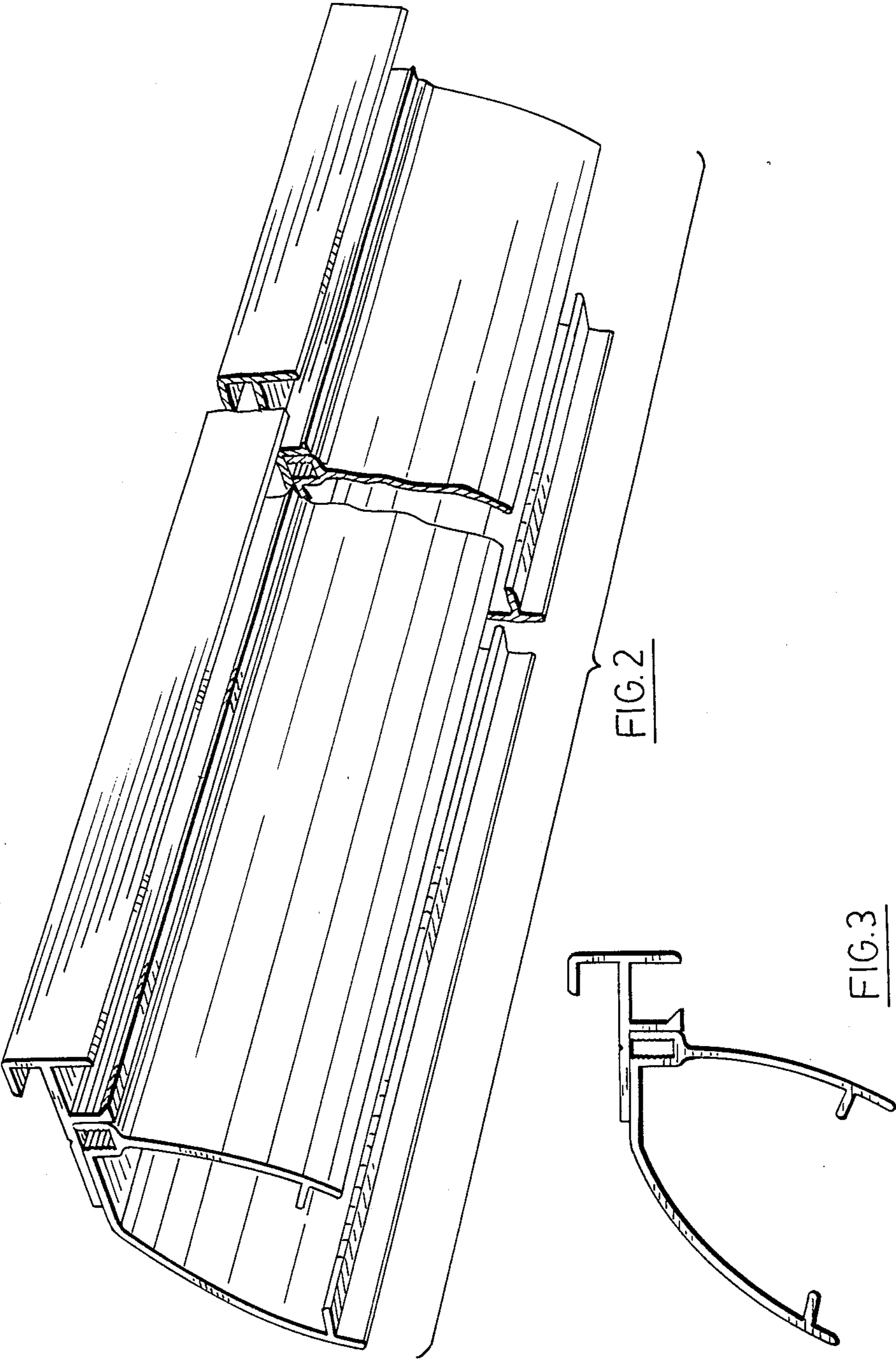


FIG. 2

FIG. 3