

[54] ISLE LIGHTING ASSEMBLY

[75] Inventor: Tom Nagano, Cerritos, Calif.

[73] Assignee: Tivoli Industries, Inc., Santa Ana, Calif.

[**] Term: 14 Years

[21] Appl. No.: 197,809

[22] Filed: May 23, 1988

[52] U.S. Cl. D26/24; D25/119; D26/25; D26/72

[58] Field of Search 362/219, 226, 227, 235, 362/236, 238, 240, 241, 244, 246, 249, 432; D26/24, 25, 80, 72; D25/103, 119

[56] References Cited

U.S. PATENT DOCUMENTS

D. 128,793	8/1941	Bonnell	D25/119
1,722,660	7/1929	Connelly	D25/119 X
3,474,381	10/1969	Baldwin	.	
3,612,855	10/1971	Juhnke	362/235
4,158,221	6/1979	Agabekov	.	
4,204,273	5/1980	Goldberg	.	
4,482,944	11/1984	Roossine et al.	.	
4,521,838	6/1985	Agabekov	.	
4,569,568	2/1986	Agabekov	.	
4,628,421	12/1986	Saar	.	
4,654,765	3/1987	Laidman	.	

OTHER PUBLICATIONS

Industrial Design, 2-1959, p. 74, Plastic Extrusion.
Sweets catalog file, 1981, Sec. 9.23 Fle, p. 13, Carpet Edge Guard #79.
Liteform-The First Tube Lighting with Replaceable Bulbs, 1986.

Decolite-Advanced Low Voltage Lighting Products, date unknown.

Light Streams-A Tubular Lighting System, 1983.

Light Buds-Low Voltage Subminiature Lamps, 1979.

Light Channel-Low Voltage Subminiature Linear Lighting, 1985.

Microolume-Product brochure of Litelab Corp., 1984.

Primary Examiner-Susan J. Lucas

Attorney, Agent, or Firm-Knobbe, Martens, Olson & Bear

[57] CLAIM

The ornamental design for an isle lighting assembly, as shown and described.

DESCRIPTION

FIG. 1 is a top perspective view of an isle lighting assembly showing my new design;

FIG. 2 is a bottom perspective view thereof;

FIG. 3 is a right side elevational view thereof on an enlarged scale;

FIG. 4 is a left side elevational view thereof on an enlarged scale;

FIG. 5 is a top perspective view of a second embodiment of my new isle lighting assembly;

FIG. 6 is a bottom perspective view thereof;

FIG. 7 is a right side elevational view thereof on an enlarged scale;

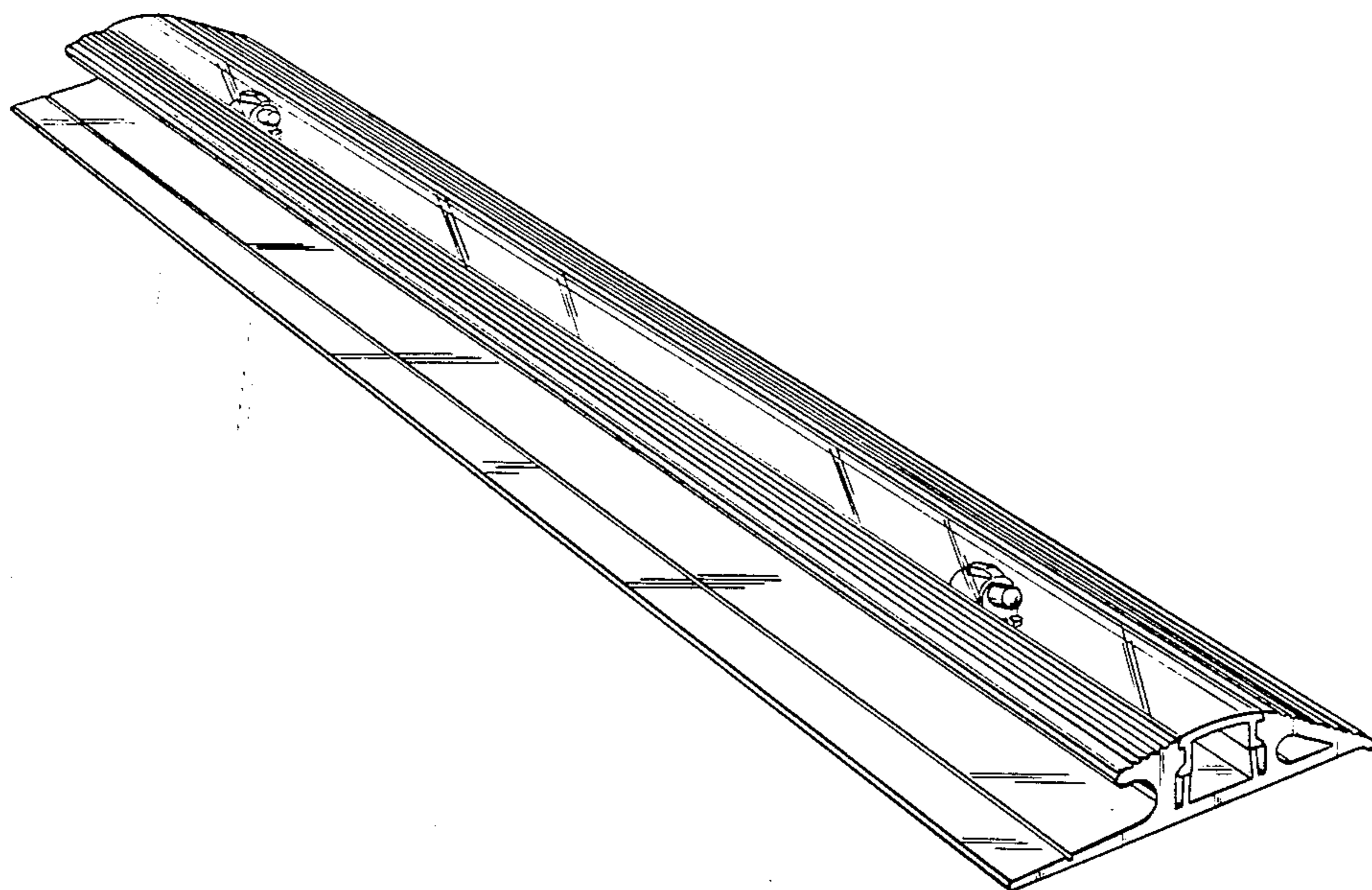
FIG. 8 is a left side elevational view thereof;

FIG. 9 is a top perspective view of a third embodiment of my new isle lighting assembly;

FIG. 10 is a bottom perspective view thereof;

FIG. 11 is a right elevational view thereof on an enlarged scale; and

FIG. 12 is a left elevational view thereof on an elongated scale.



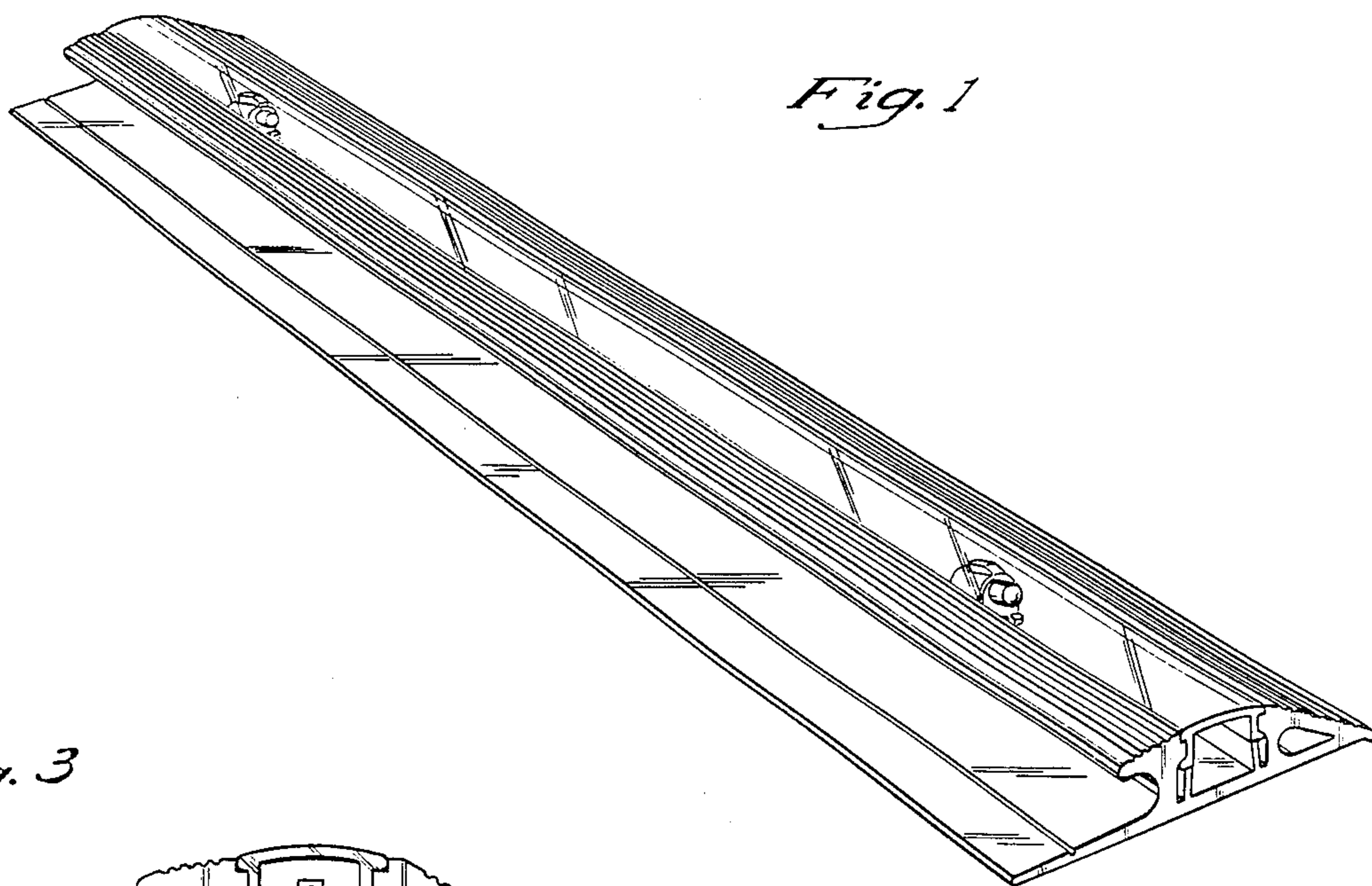


Fig. 3

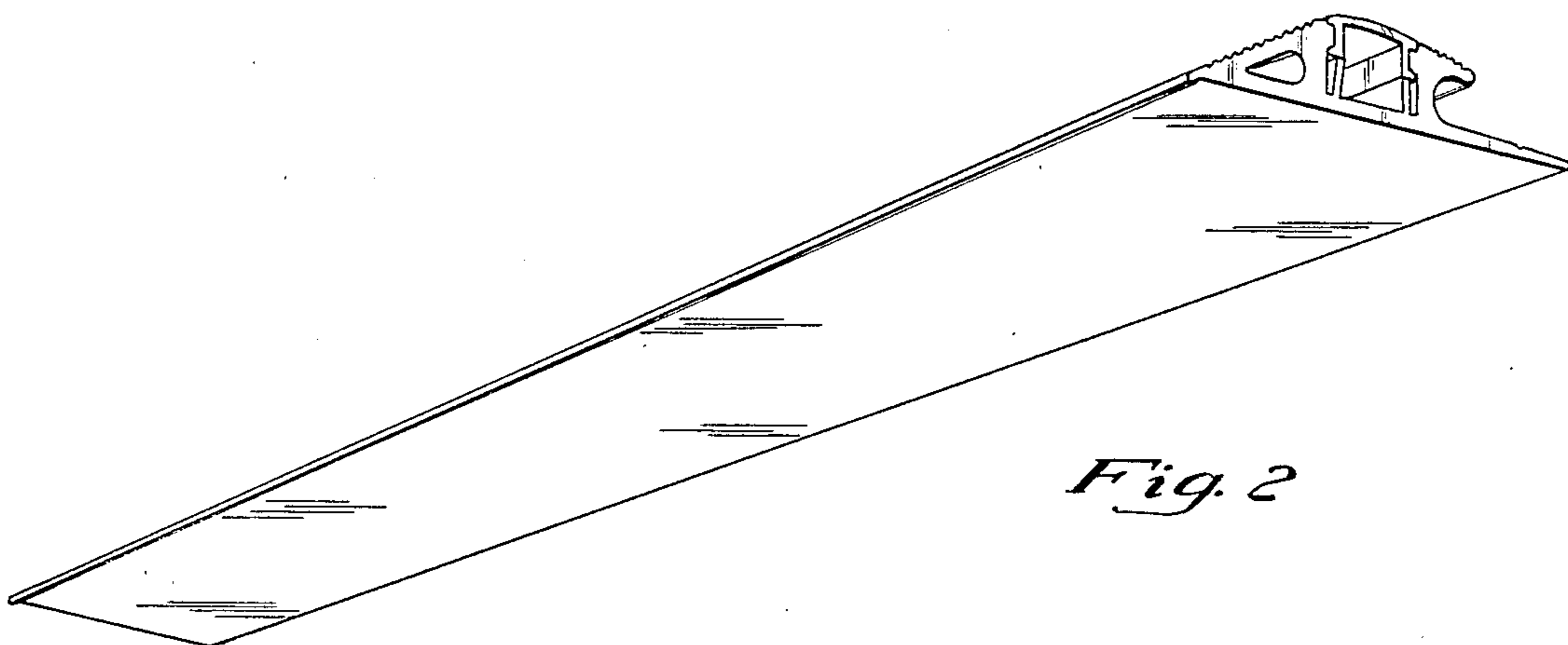
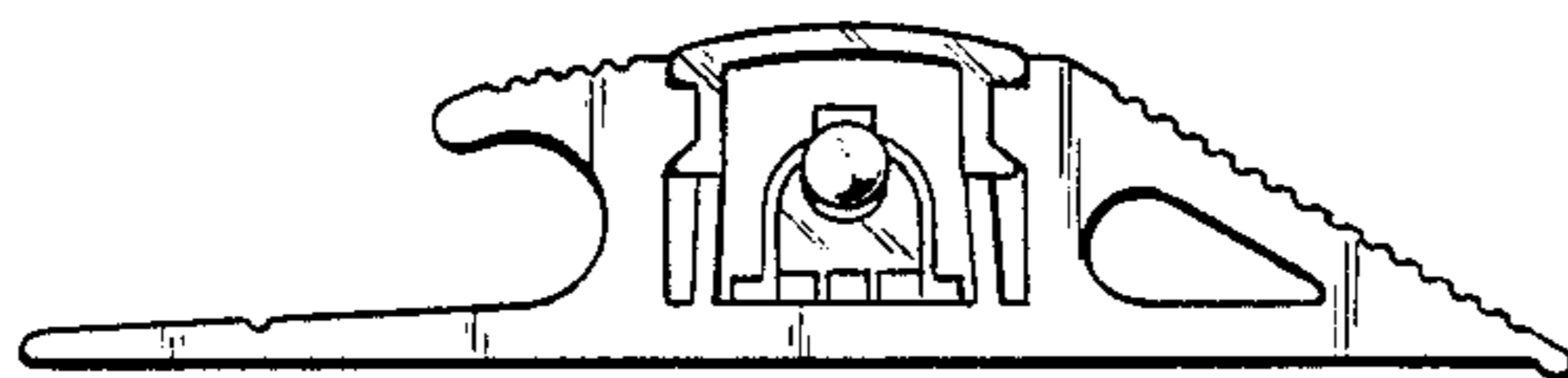


Fig. 2

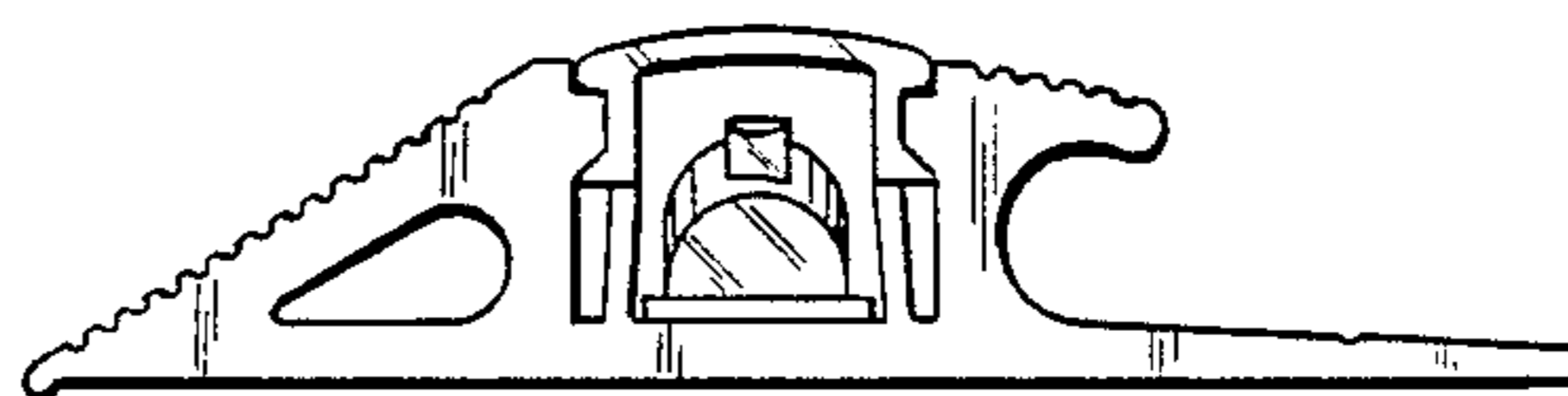


Fig. 4

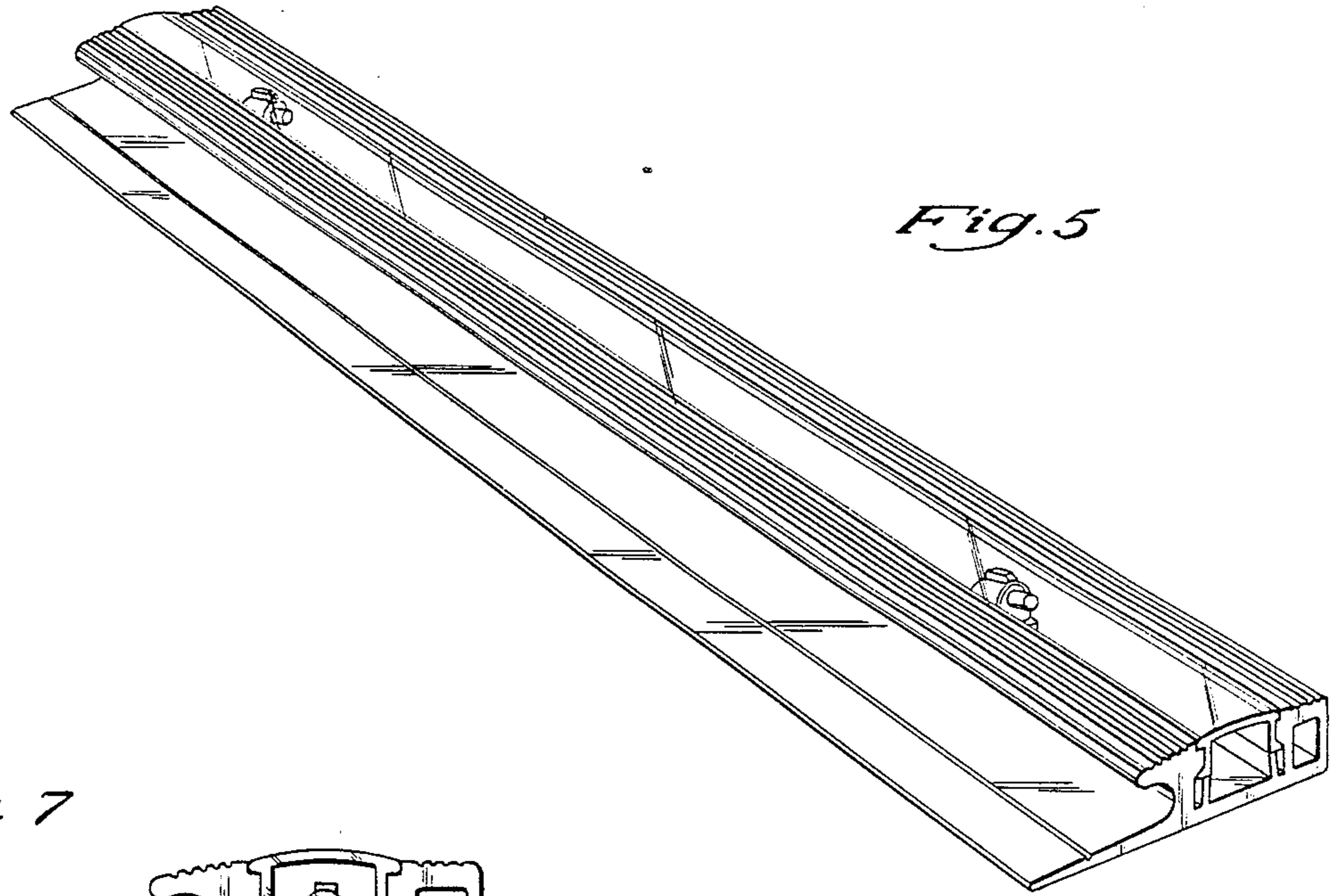


Fig. 5

Fig. 7

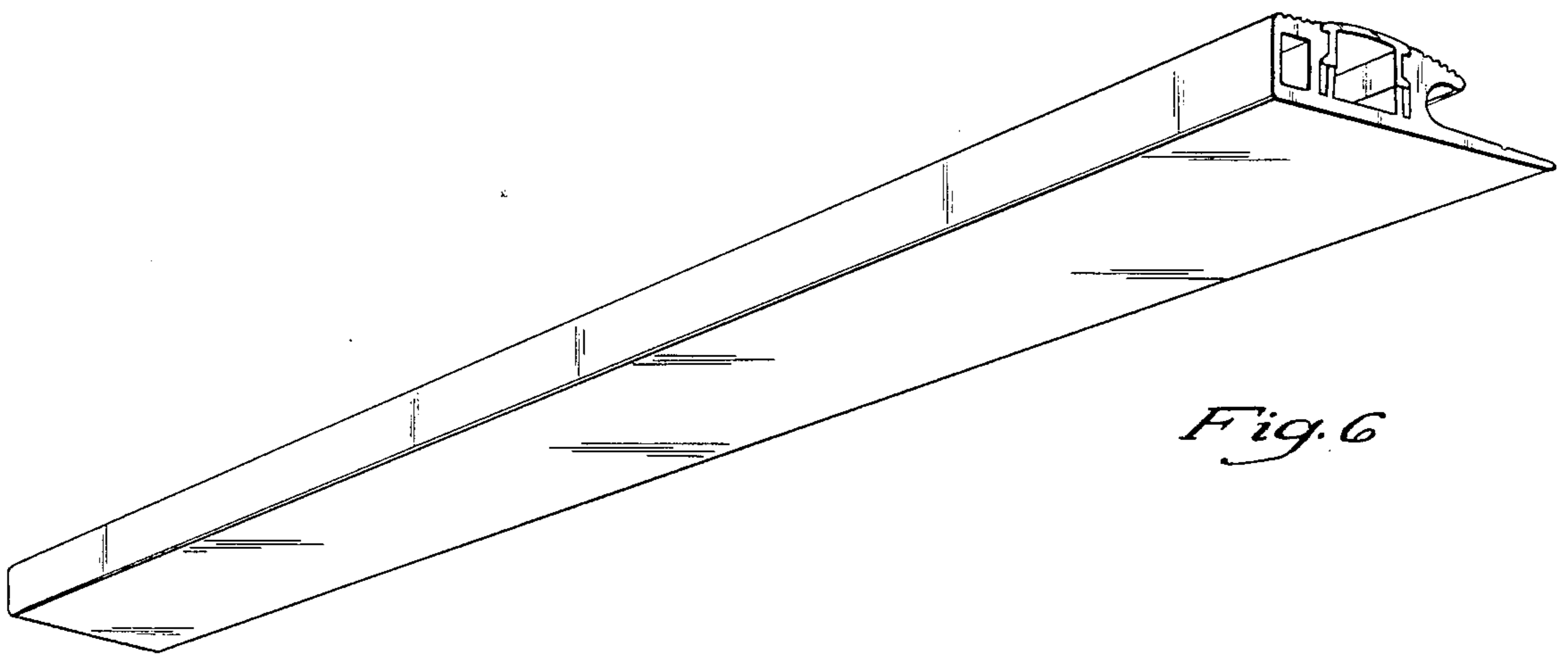
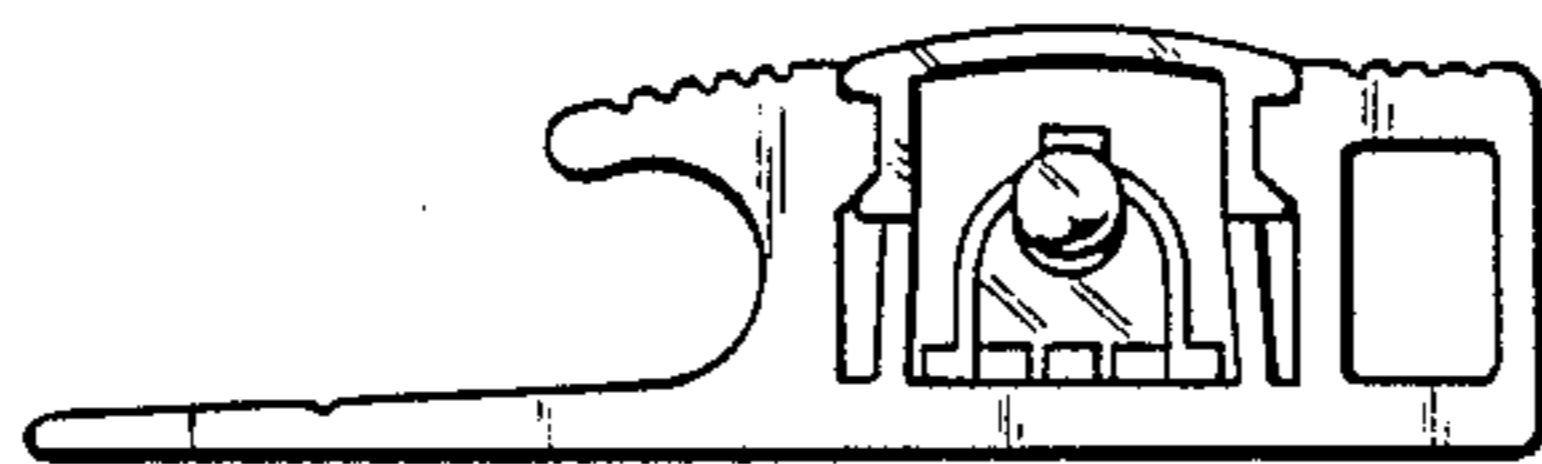


Fig. 6

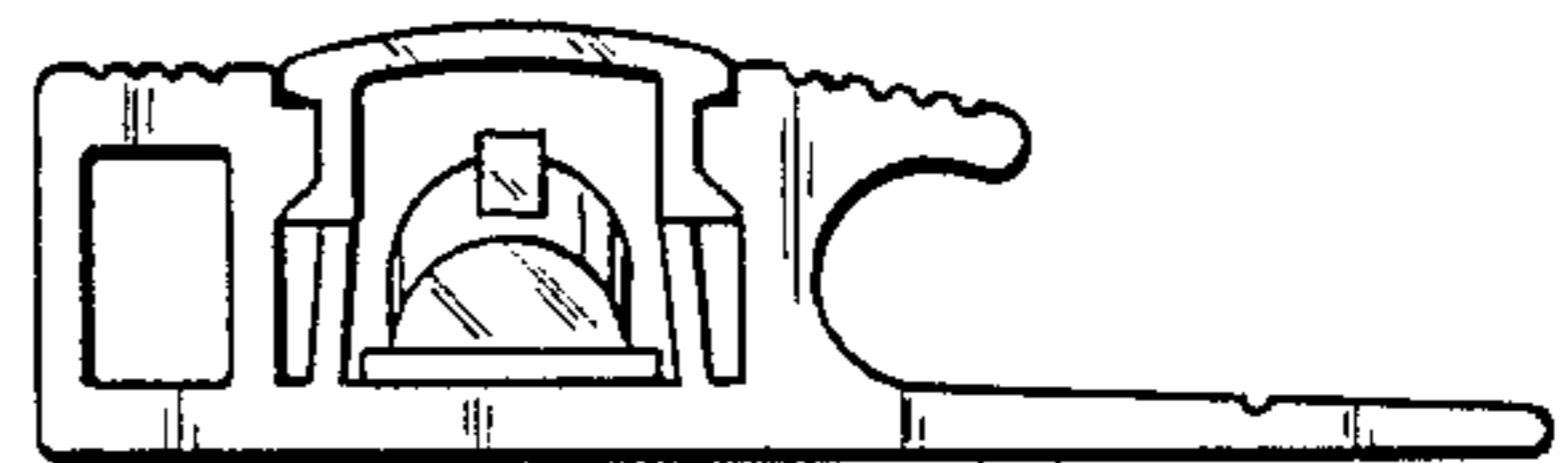


Fig. 8

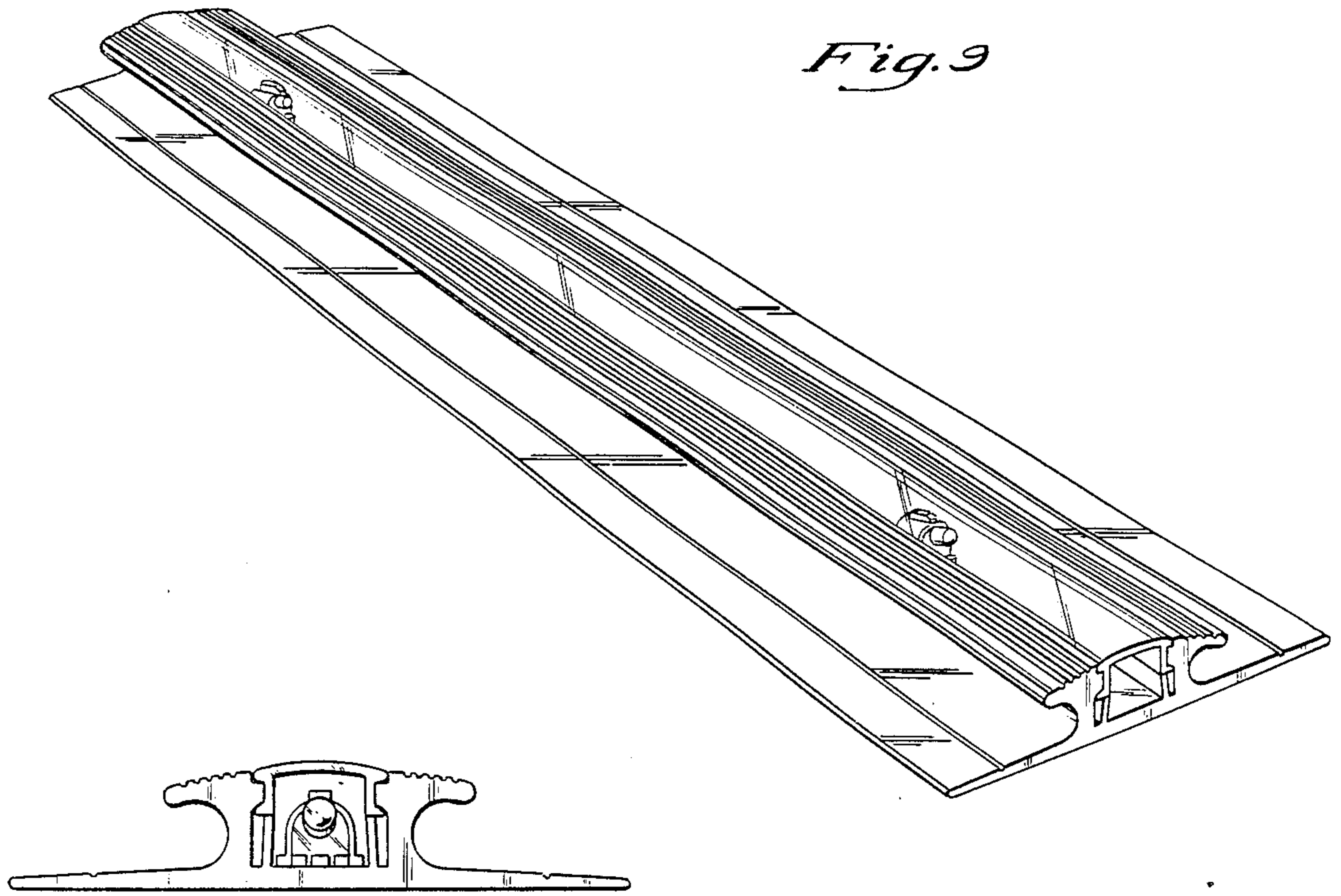


Fig. 9

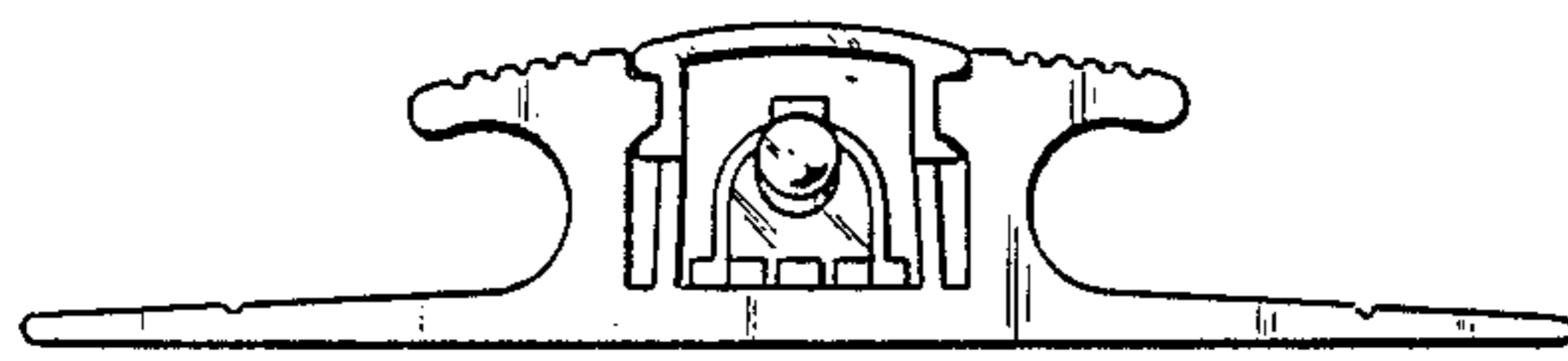


Fig. 11

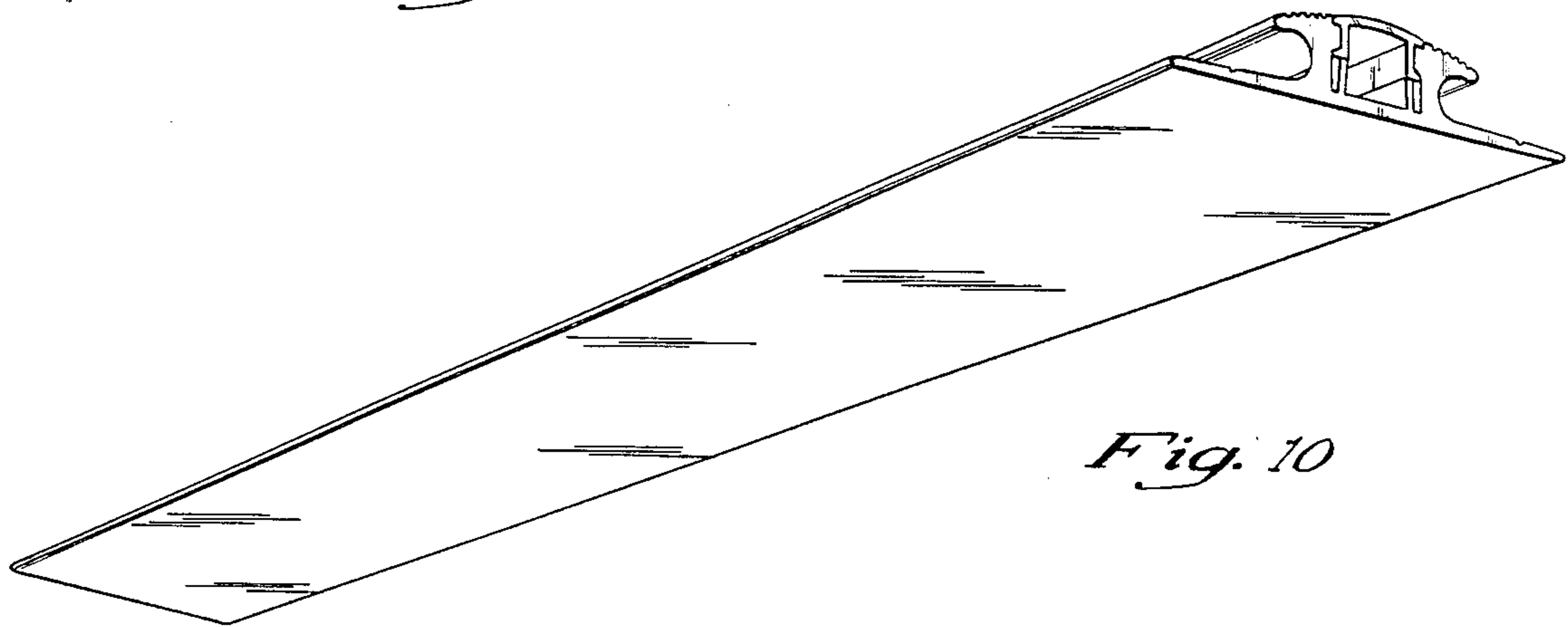


Fig. 10

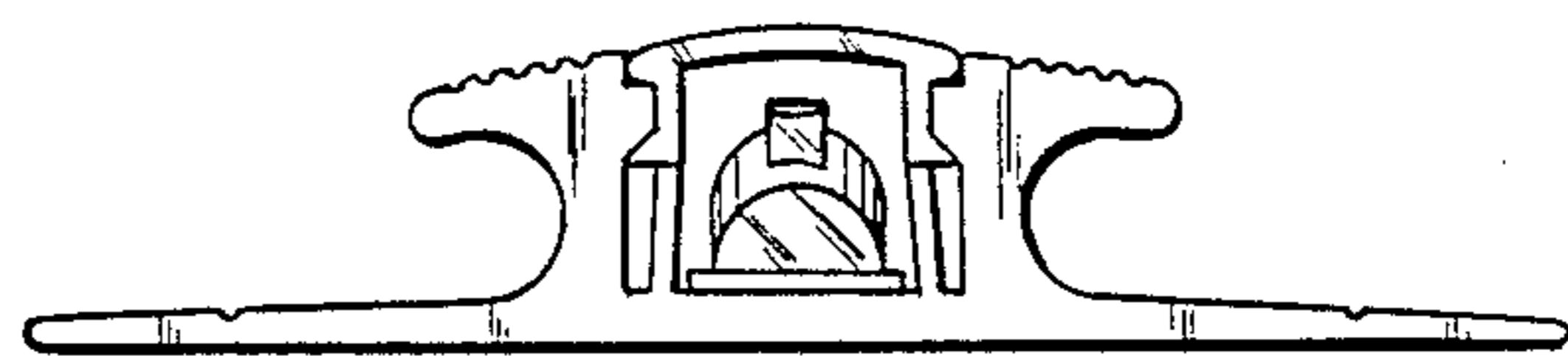


Fig. 12