

United States Patent [19]

Slocomb, Jr.

[11] Patent Number: **Des. 311,587**

[45] Date of Patent: **** Oct. 23, 1990**

[54] **EXTRUDED MASTER FRAME WINDOW SILL**

[76] Inventor: **Leon F. Slocomb, Jr., 2641 W. Robino Dr., Wilmington, Del. 19808**

[**] Term: **14 Years**

[21] Appl. No.: **395,565**

[22] Filed: **Aug. 18, 1989**

[52] U.S. Cl. **D25/124**

[58] Field of Search **D25/52, 60, 47, 119, D25/121, 122, 124; 49/DIG. 1, DIG. 2, 501, 502, 504; 52/730, 731, 732, 738**

[56] **References Cited**

U.S. PATENT DOCUMENTS

D. 283,349 4/1986 Slocomb, Jr. D25/122

D. 299,968 2/1989 Hardy D25/124
D. 299,970 2/1989 Hardy D25/124

Primary Examiner—A. Hugo Word
Assistant Examiner—Doris Clark
Attorney, Agent, or Firm—Connolly & Hutz

[57] **CLAIM**

The ornamental design for an extruded master frame window sill, as shown.

DESCRIPTION

FIG. 1 is an end elevational view of an extruded master frame window sill showing my new design; FIG. 2 is a rear elevational view thereof; FIG. 3 is a front elevational view thereof; FIG. 4 is a top plan view thereof; FIG. 5 is a bottom plan view thereof; and FIG. 6 is a bottom perspective view thereof.

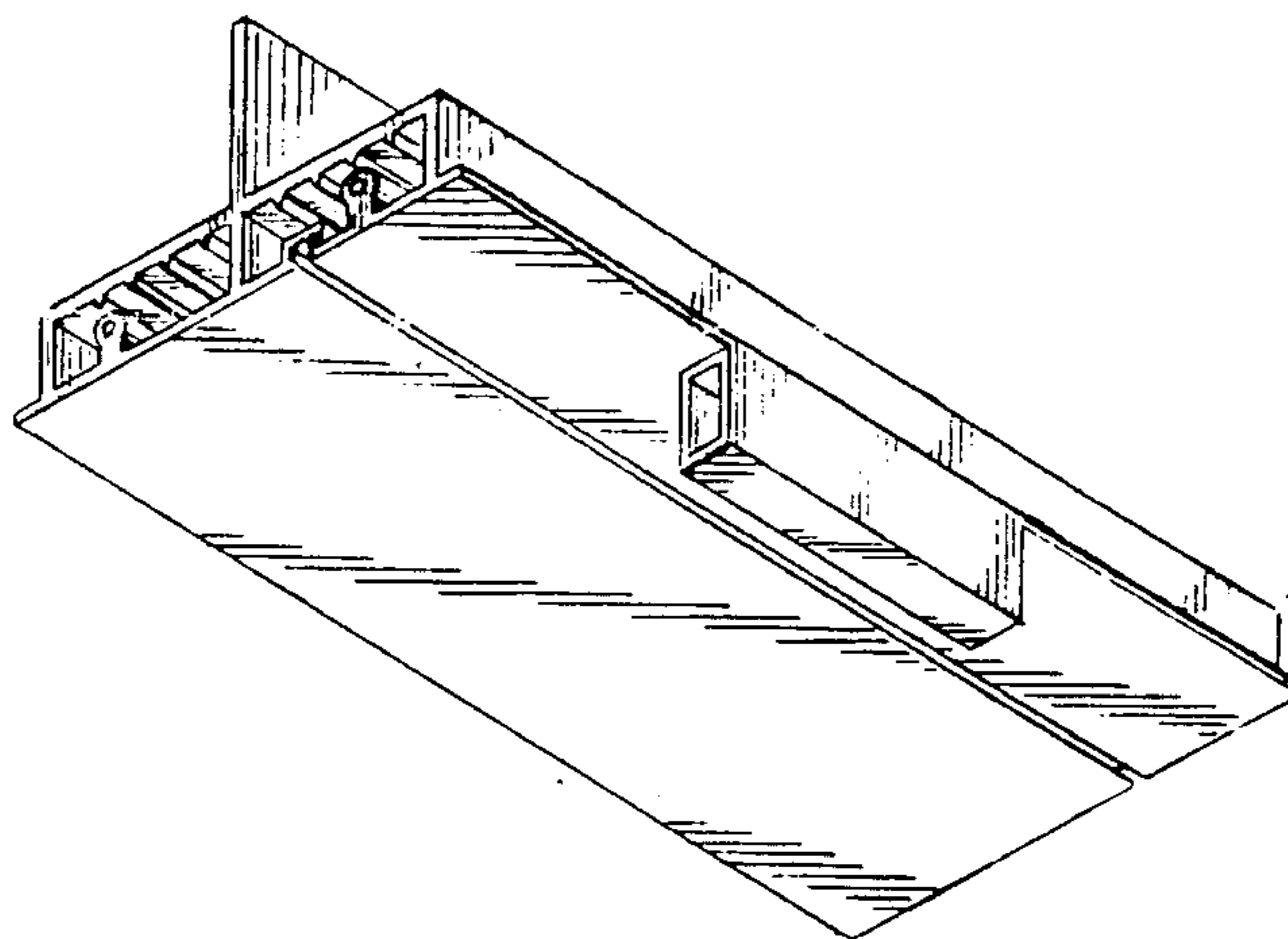


Fig. 4.

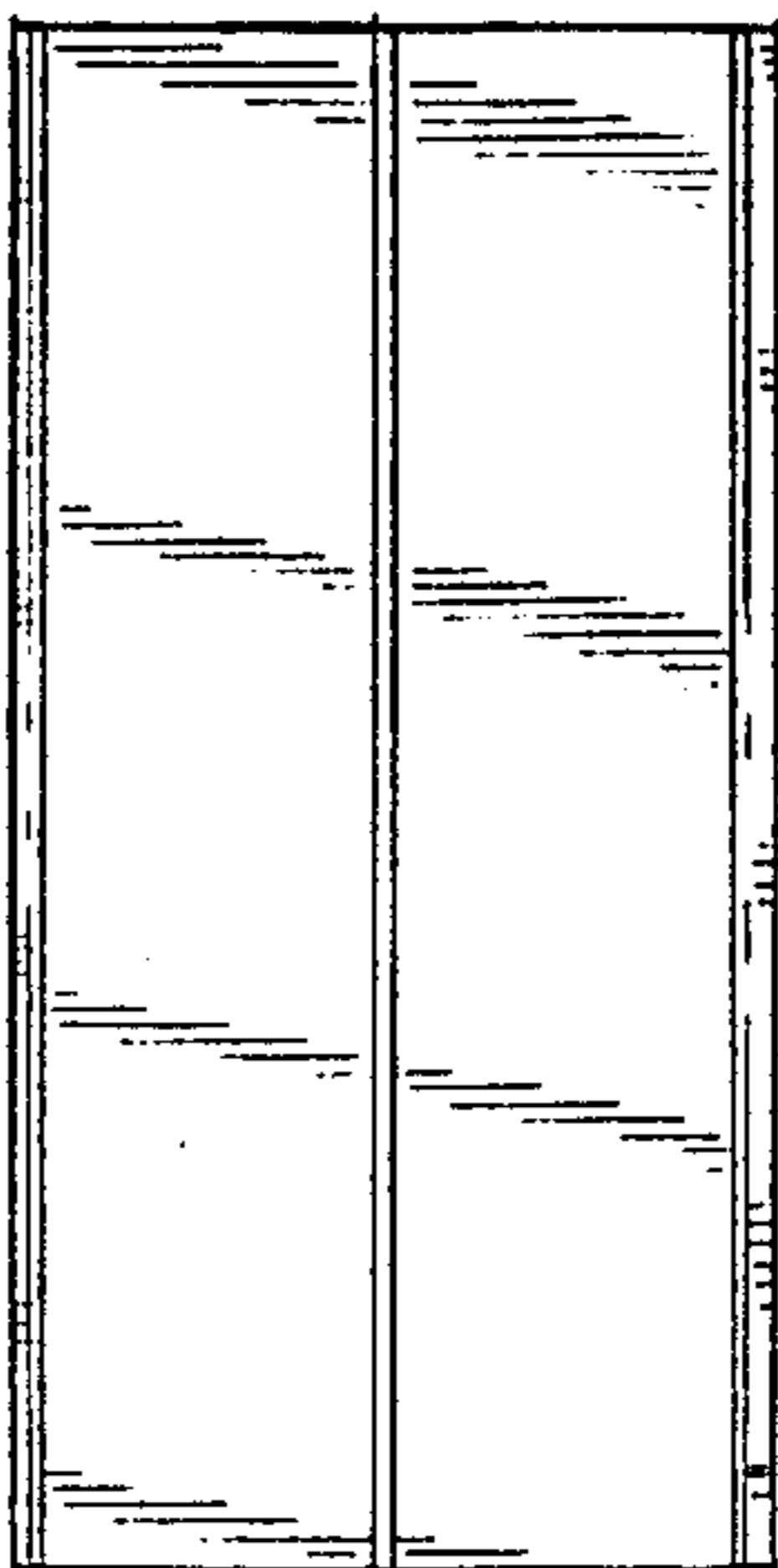


Fig. 2.

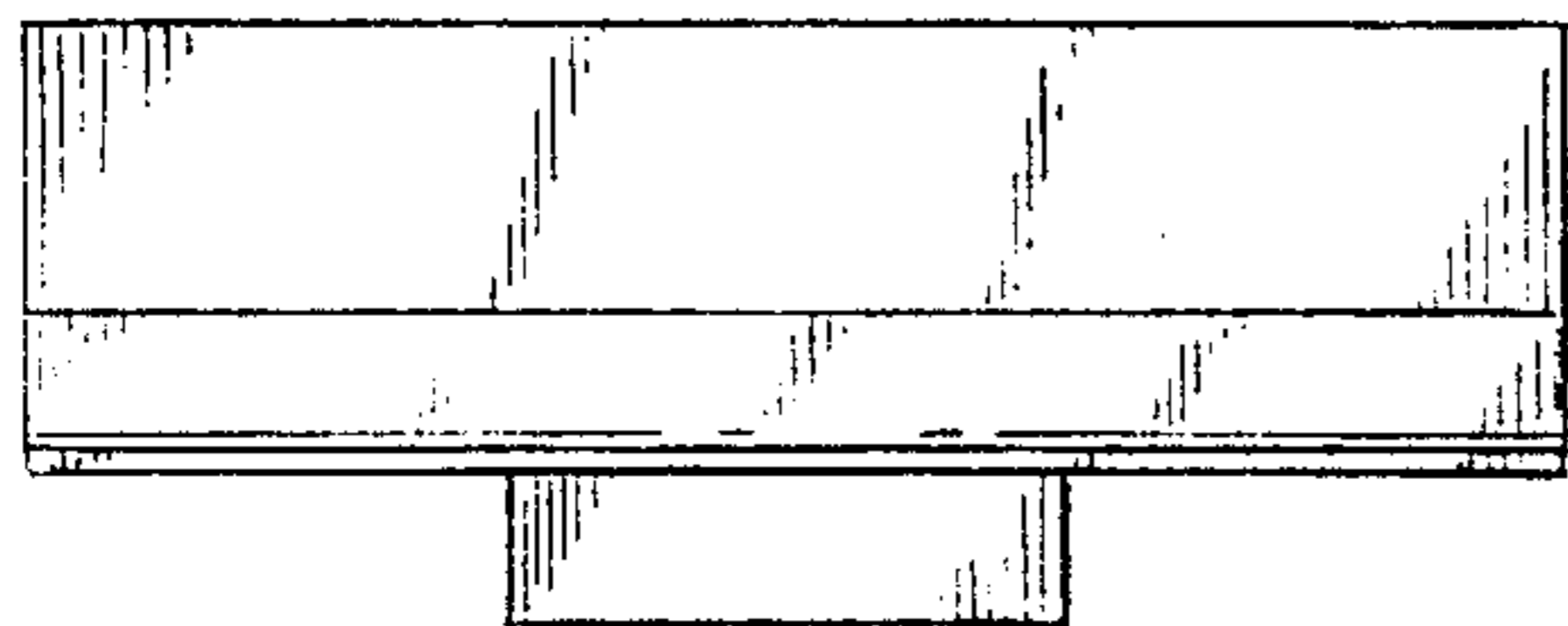


Fig. 1.

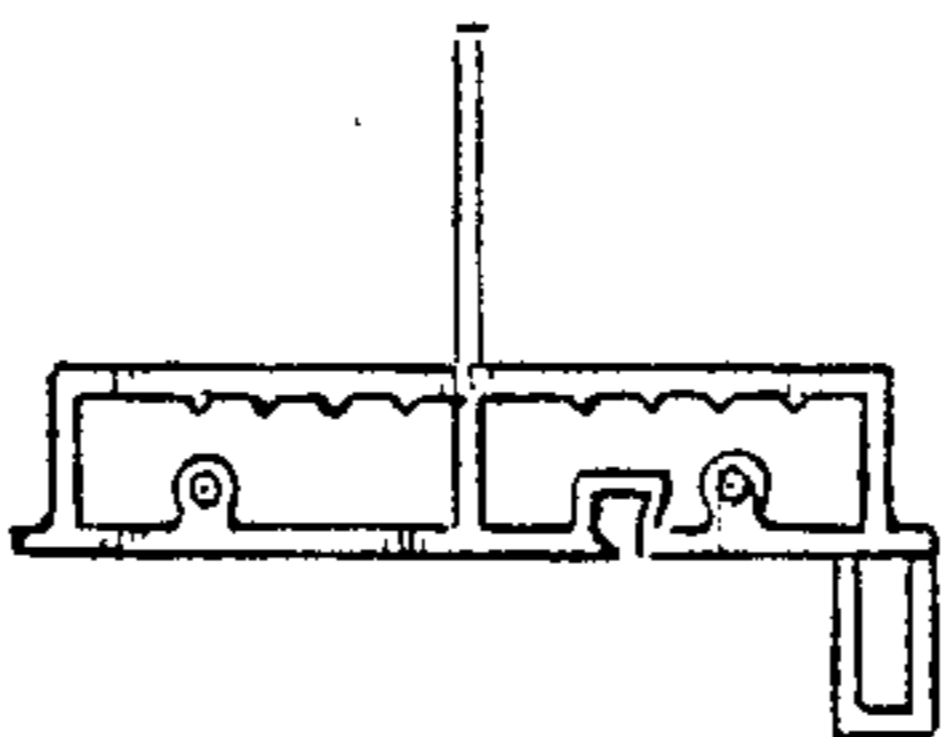


Fig. 3.

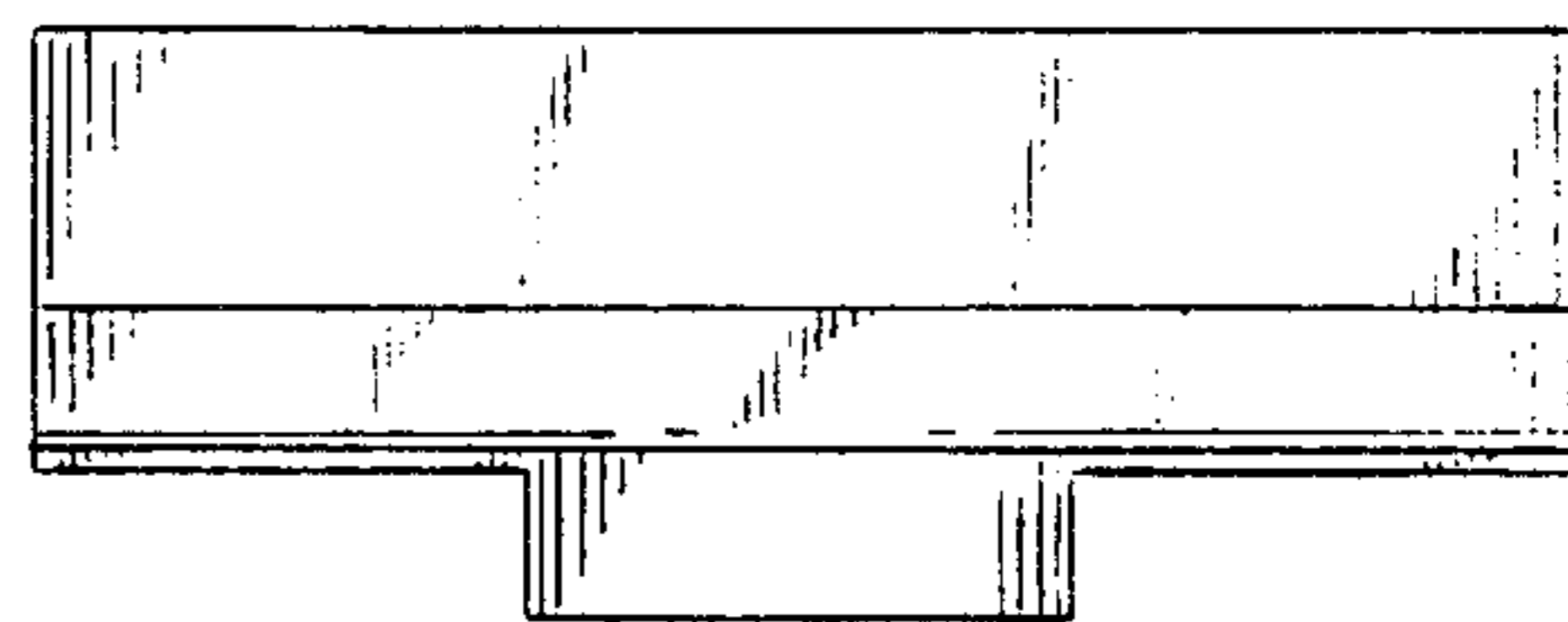


Fig. 5.

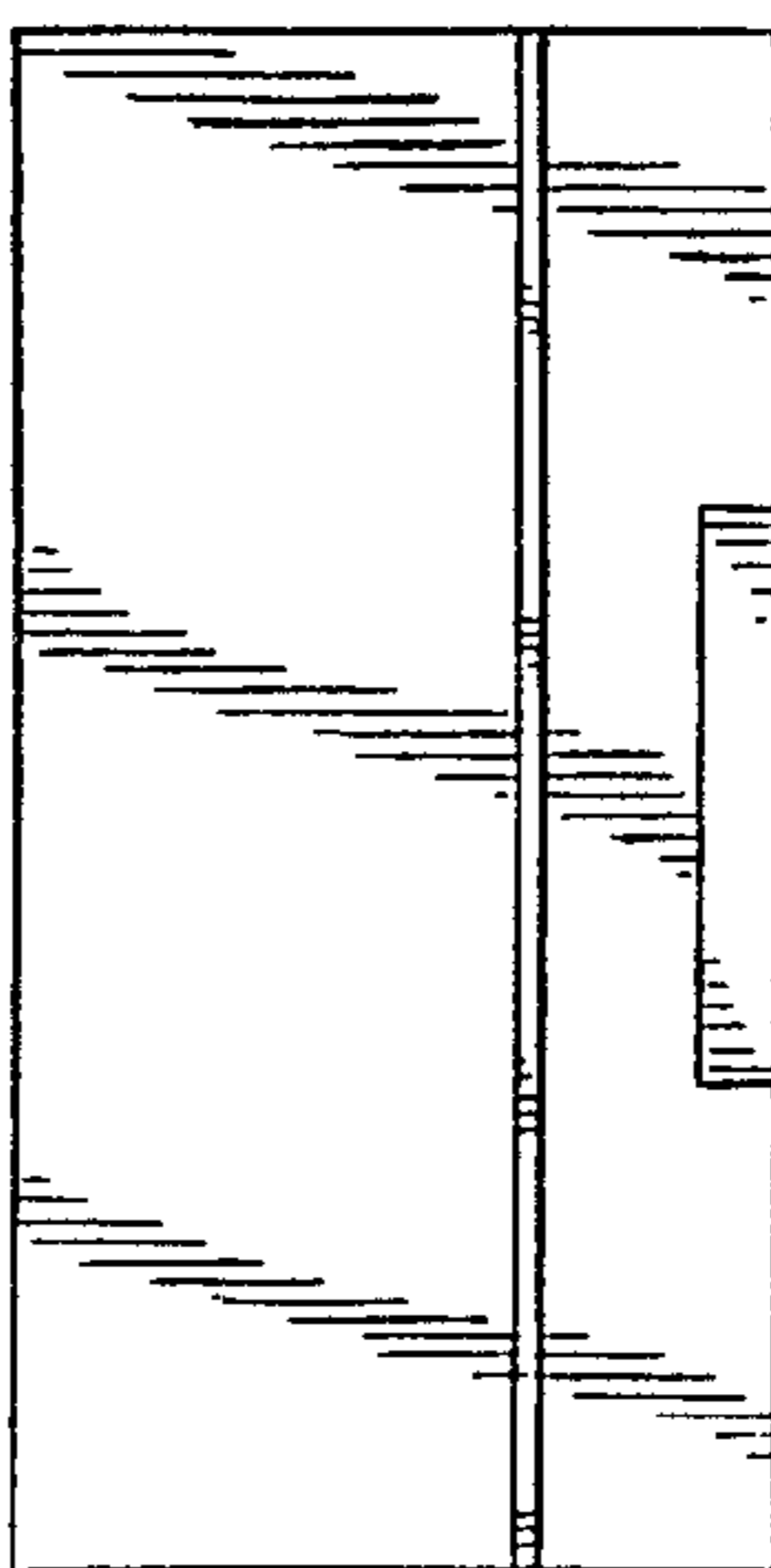


Fig. 6.

