

[54] **CARDIAC PACEMAKER**

[75] Inventors: **Daniel E. Butler; Neil G. McIlvaine,**
both of Seattle, Wash.

[73] Assignee: **Physio-Control Corporation,**
Redmond, Wash.

[**] Term: **14 Years**

[21] Appl. No.: **211,414**

[22] Filed: **Jun. 24, 1988**

[52] U.S. Cl. **D24/17; D24/8**

[58] Field of Search **D24/17, 8, 21;**
128/419 P, 419 PT, 419 PG, 706, 705, 711, 710,
419 D, 419 S, 419 R, 696; D10/40, 46

[56] **References Cited**

U.S. PATENT DOCUMENTS

- D. 262,317 12/1981 Smith D24/17
- D. 287,761 1/1987 McIlvaine et al. D24/17

- D. 291,245 8/1987 Lanci et al. D24/8 X
- D. 293,023 12/1987 Ciurtino D24/17

Primary Examiner—A. Hugo Word
Assistant Examiner—Stella M. Reid
Attorney, Agent, or Firm—Christensen, O'Connor,
Johnson & Kindness

[57] **CLAIM**

The ornamental design for a cardiac pacemaker, as shown and described.

DESCRIPTION

FIG. 1 is a front perspective view of a cardiac pacemaker, showing our new design;
FIG. 2 is a front elevational view thereof;
FIG. 3 is a right side elevational view thereof;
FIG. 4 is a left side elevational view thereof;
FIG. 5 is a top plan view thereof;
FIG. 6 is a bottom plan view thereof; and;
FIG. 7 is a rear elevational view thereof.

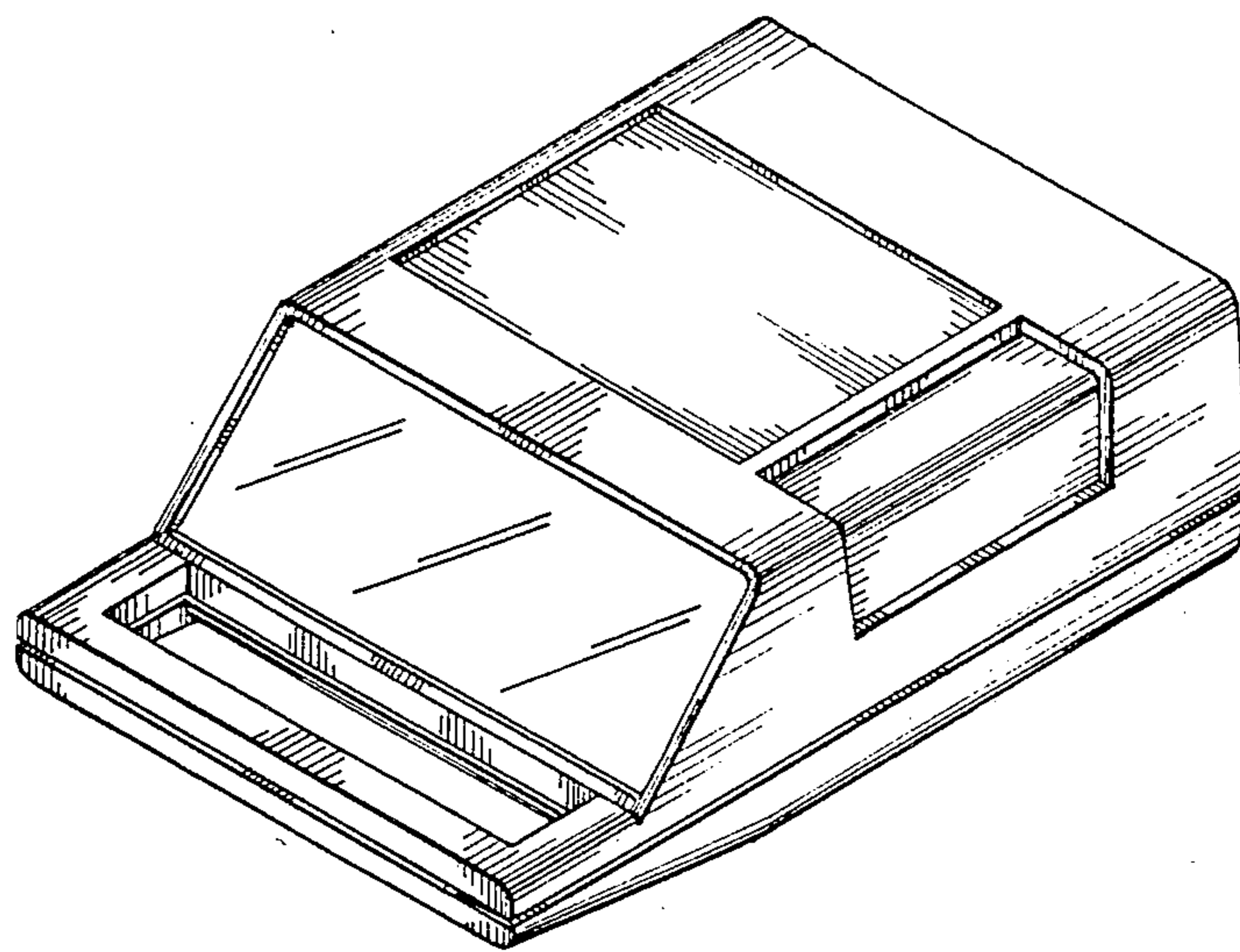


Fig. 1.

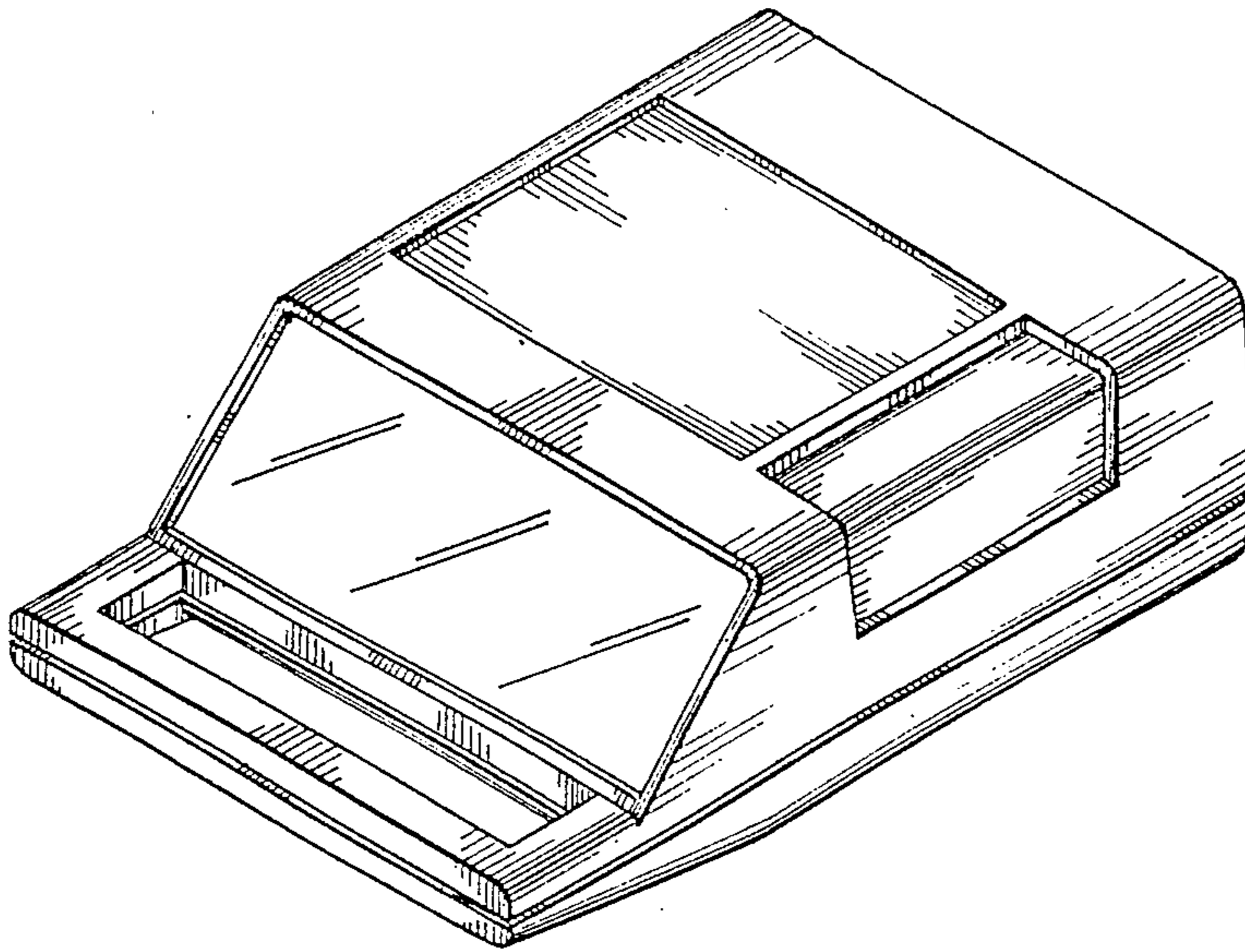


Fig. 2.

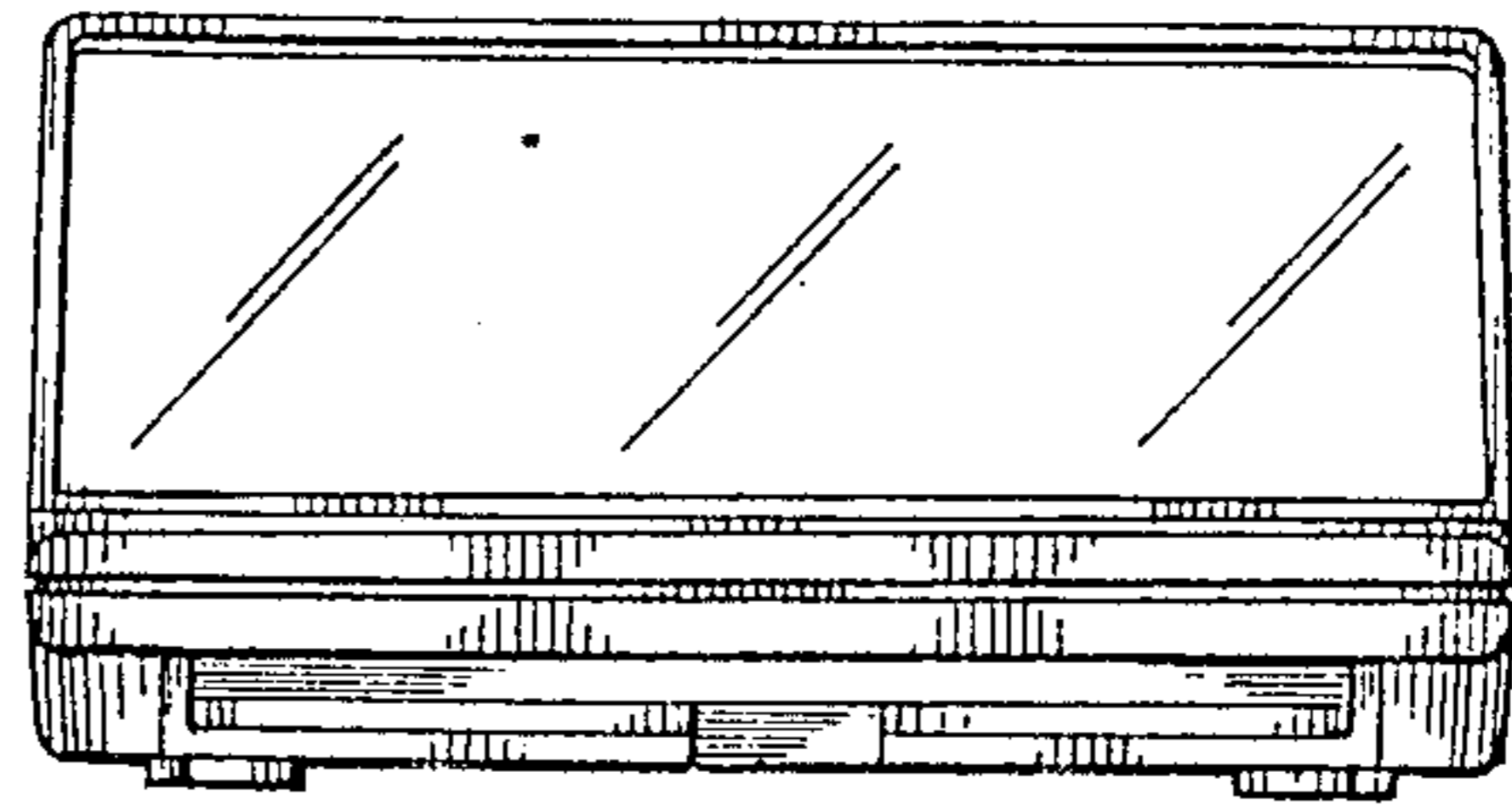


Fig. 3.

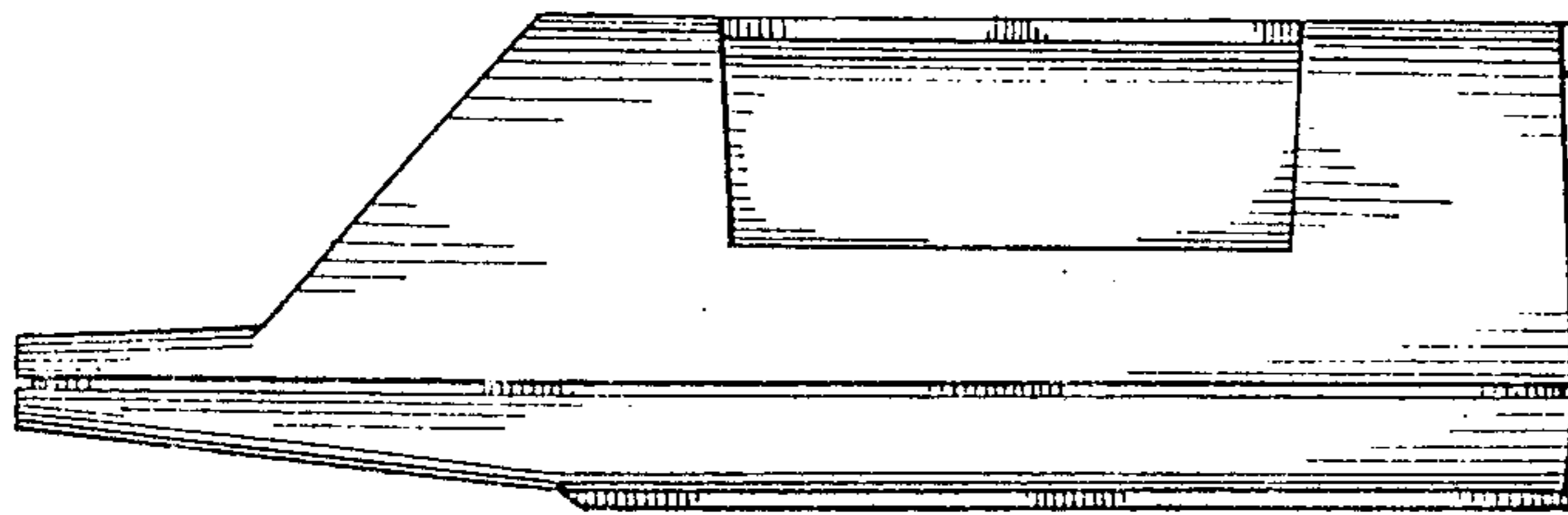
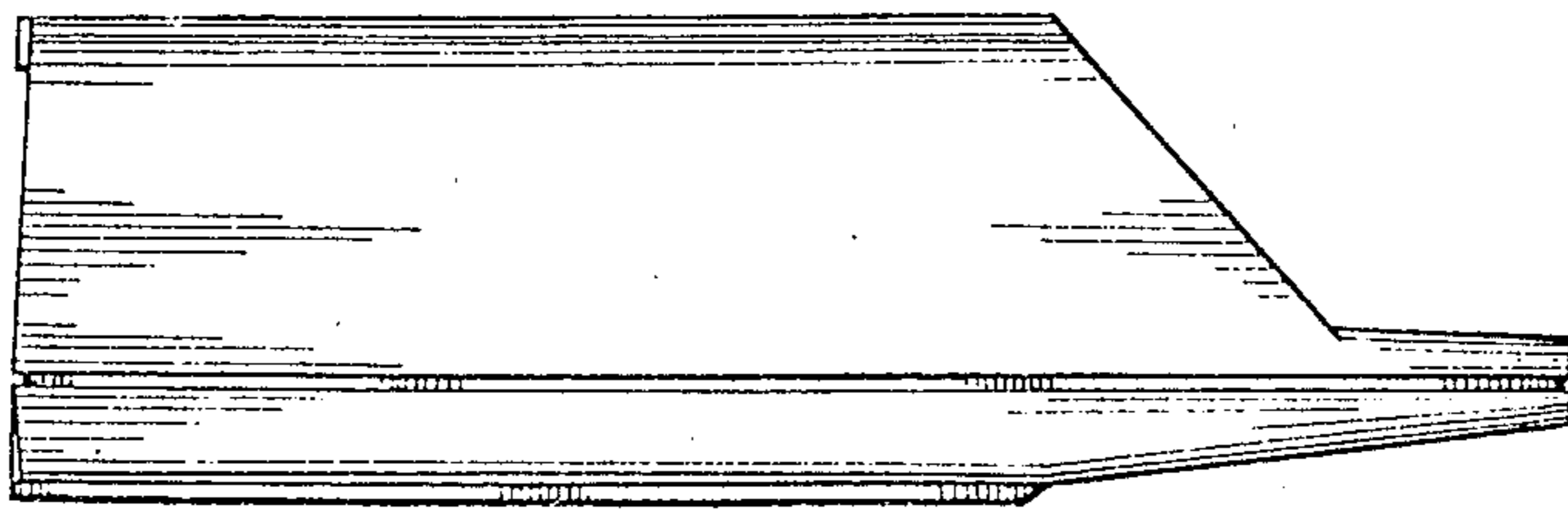


Fig. 4.



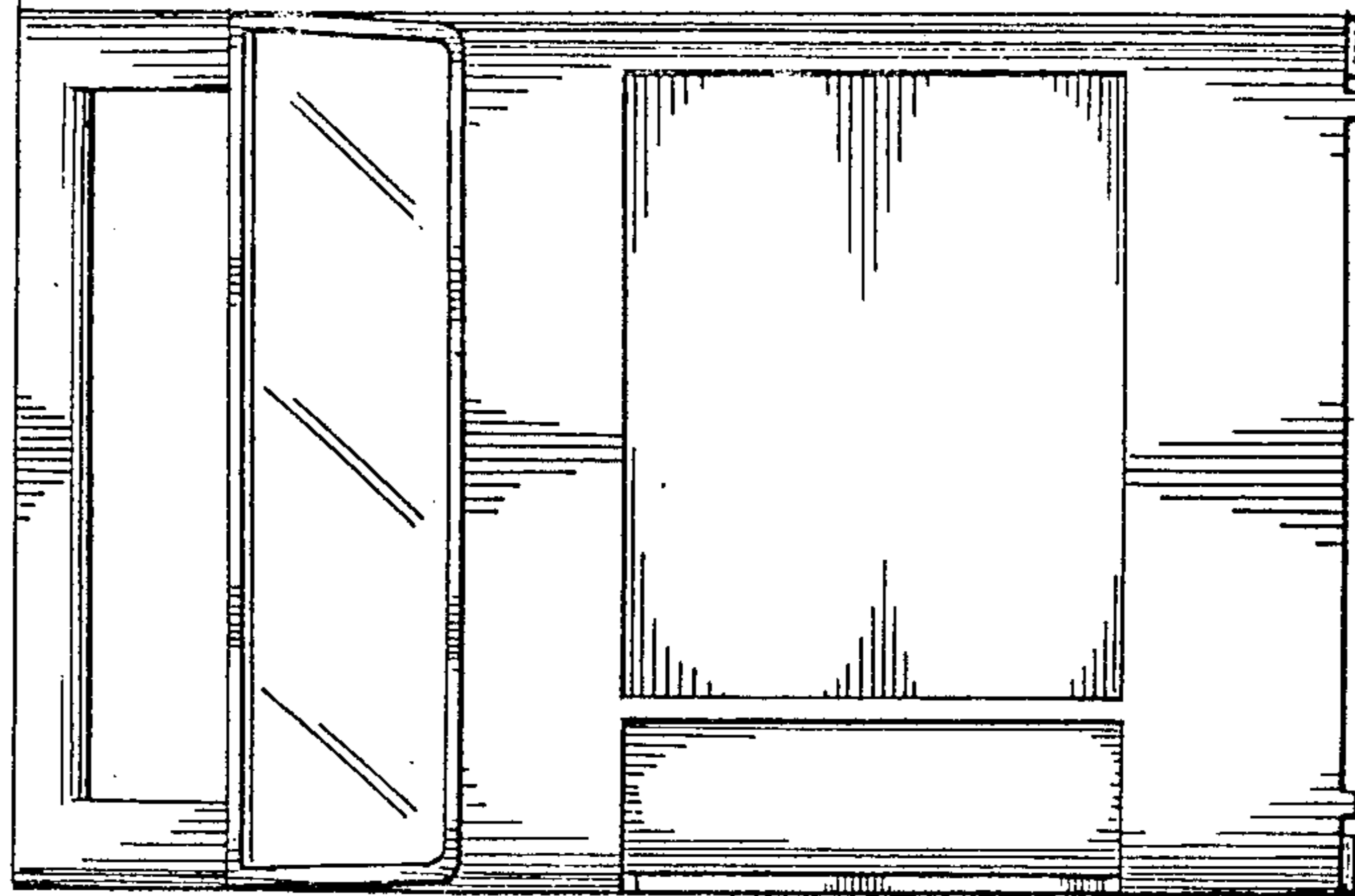


Fig. 5.

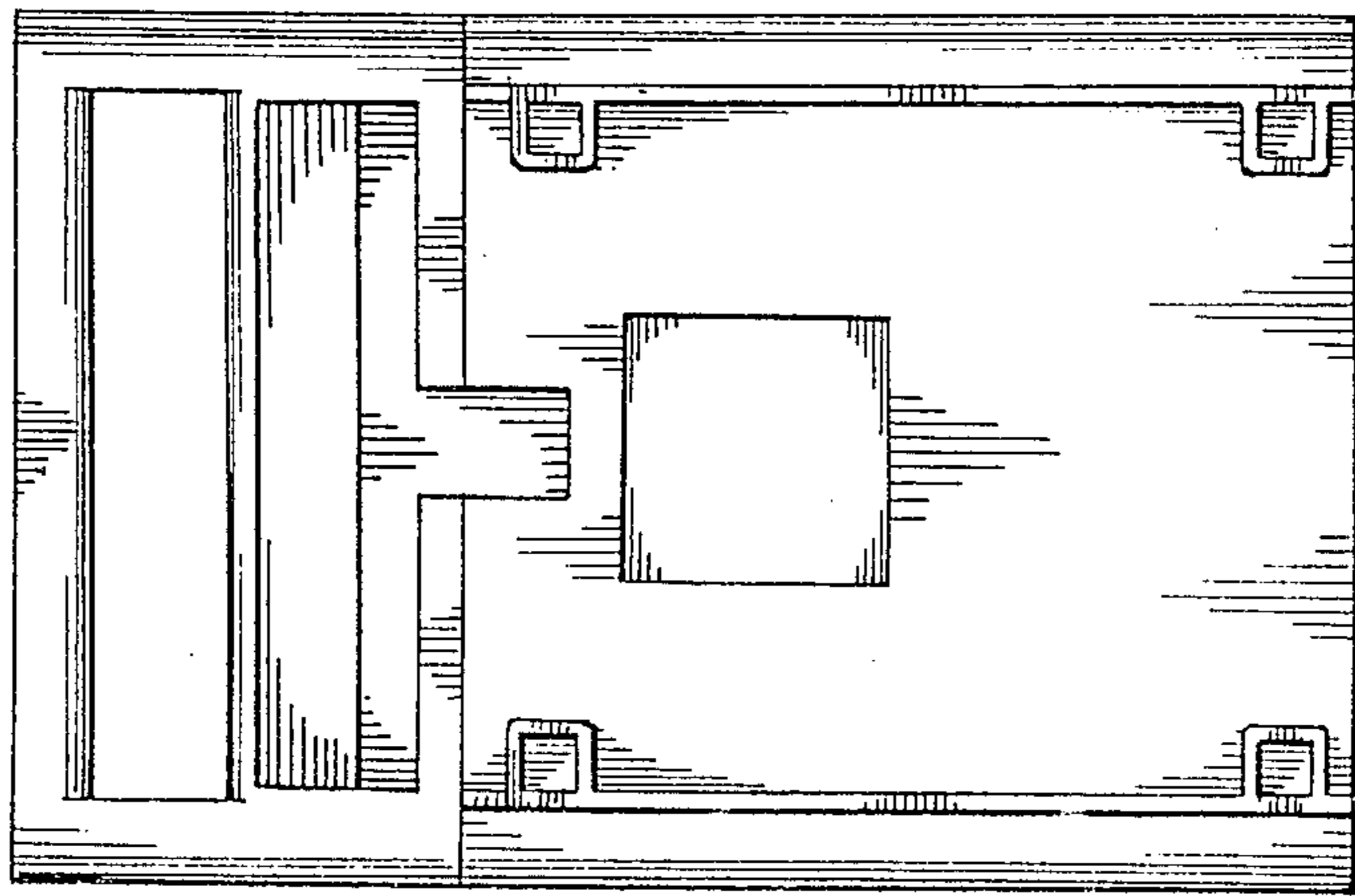


Fig. 6.

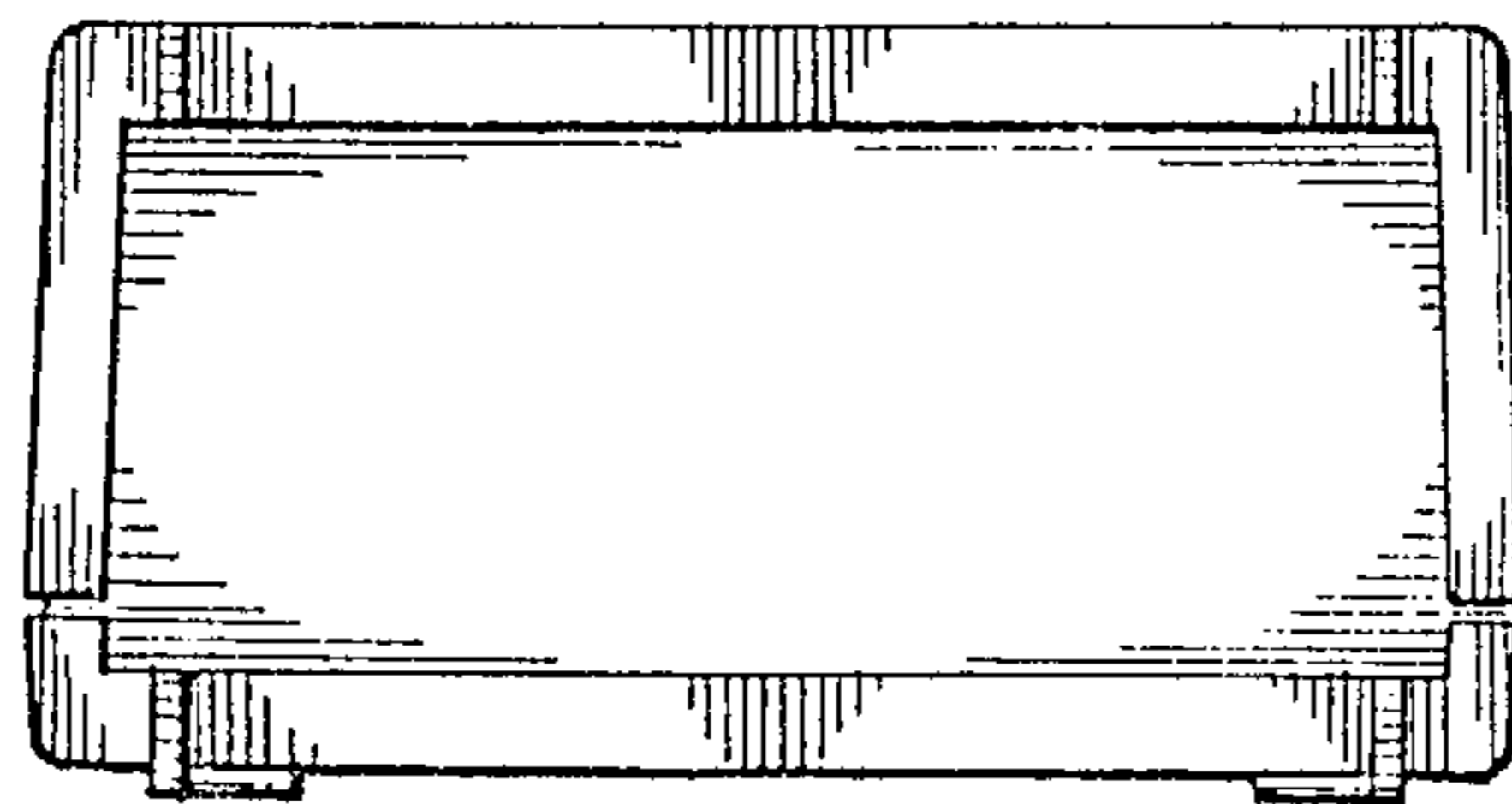


Fig. 7.