

[54] **ARTIFICIAL FIREPLACE LOG**
 [75] **Inventor: John E. MacIsaac, Beloit, Ohio**
 [73] **Assignee: Sebring Forest Industries, Inc.,
 Sebring, Ohio**
 [**] **Term: 14 Years**
 [21] **Appl. No.: 214,653**
 [22] **Filed: Jul. 1, 1988**
 [52] **U.S. Cl. D23/409; D25/113;
 D21/54**
 [58] **Field of Search D23/409; 44/14, 532;
 428/156, 157, 163, 165, 2; D25/113, 119;
 52/233; D21/108, 54**

3,947,255 3/1976 Hartman et al. 44/10 H
 4,040,796 8/1977 Vincent et al. 44/519
 4,243,394 1/1981 Kincaid 44/521

FOREIGN PATENT DOCUMENTS

965322 9/1950 France 52/233
 1014431 8/1952 France 44/14
 2150594 7/1985 United Kingdom 44/14

Primary Examiner—James M. Gandy
Assistant Examiner—Lisa Lichtenstein
Attorney, Agent, or Firm—Michael Sand Co.

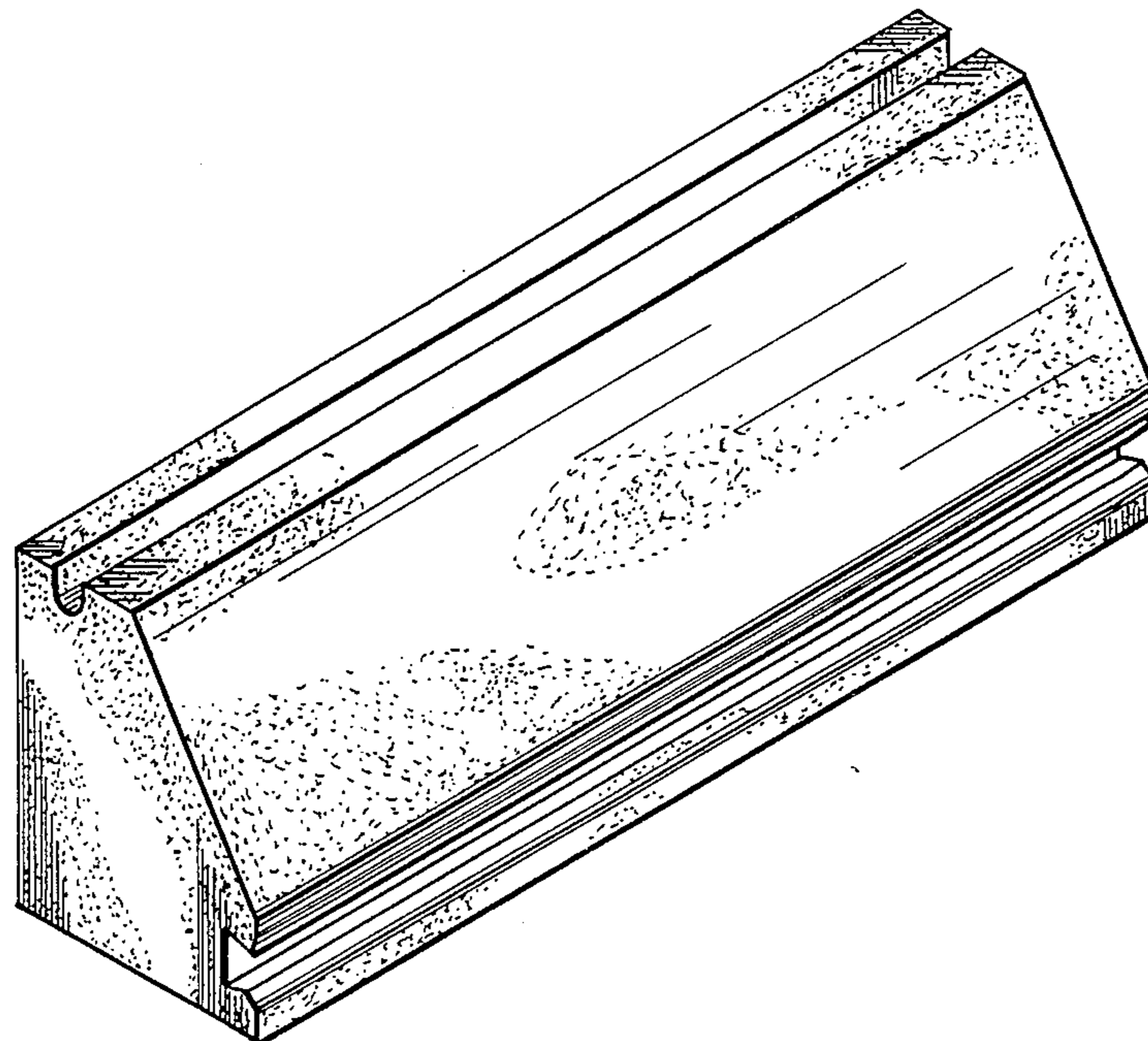
[57] **CLAIM**

The ornamental design for an artificial fireplace log, as shown and described.

DESCRIPTION

FIG. 1 is a front perspective view of an artificial fireplace log, showing my new design;
 FIG. 2 is an enlarged left end elevational view thereof, the right end being a mirror image of that shown;
 FIG. 3 is a top plan view thereof;
 FIG. 4 is a rear elevational view thereof;
 FIG. 5 is a front elevational view thereof; and
 FIG. 6 is a bottom plan view thereof.

[56] **References Cited**
U.S. PATENT DOCUMENTS
 225,244 3/1880 Swift 44/506
 295,067 3/1884 Stearns D25/113
 1,050,535 1/1913 Hartung 44/20
 2,789,890 4/1957 Stevens 44/535
 3,637,355 1/1972 Brockbank 44/1
 3,726,651 4/1973 Ronden 44/14
 3,826,054 7/1974 Culpepper, Jr. 428/156



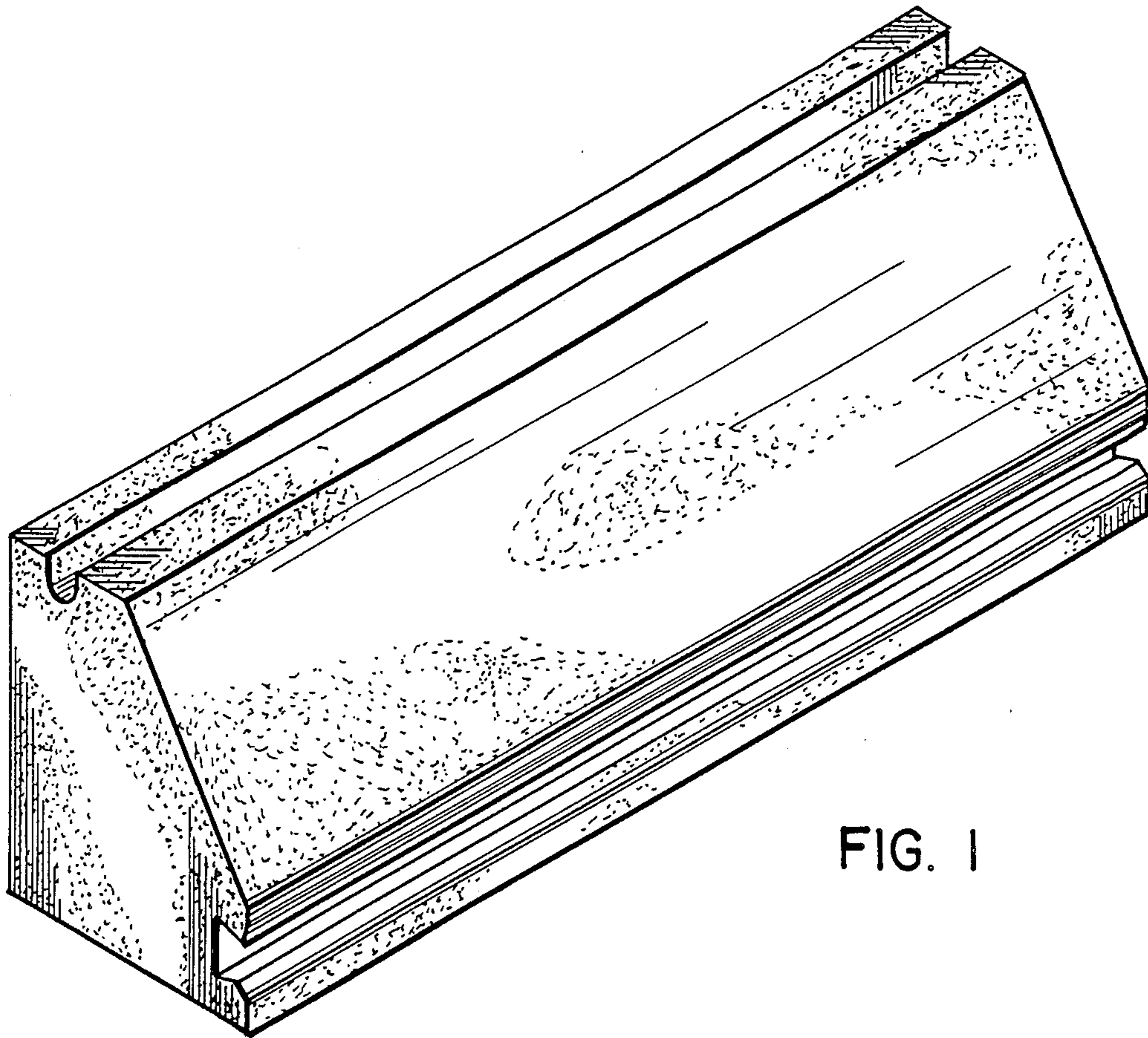


FIG. 1

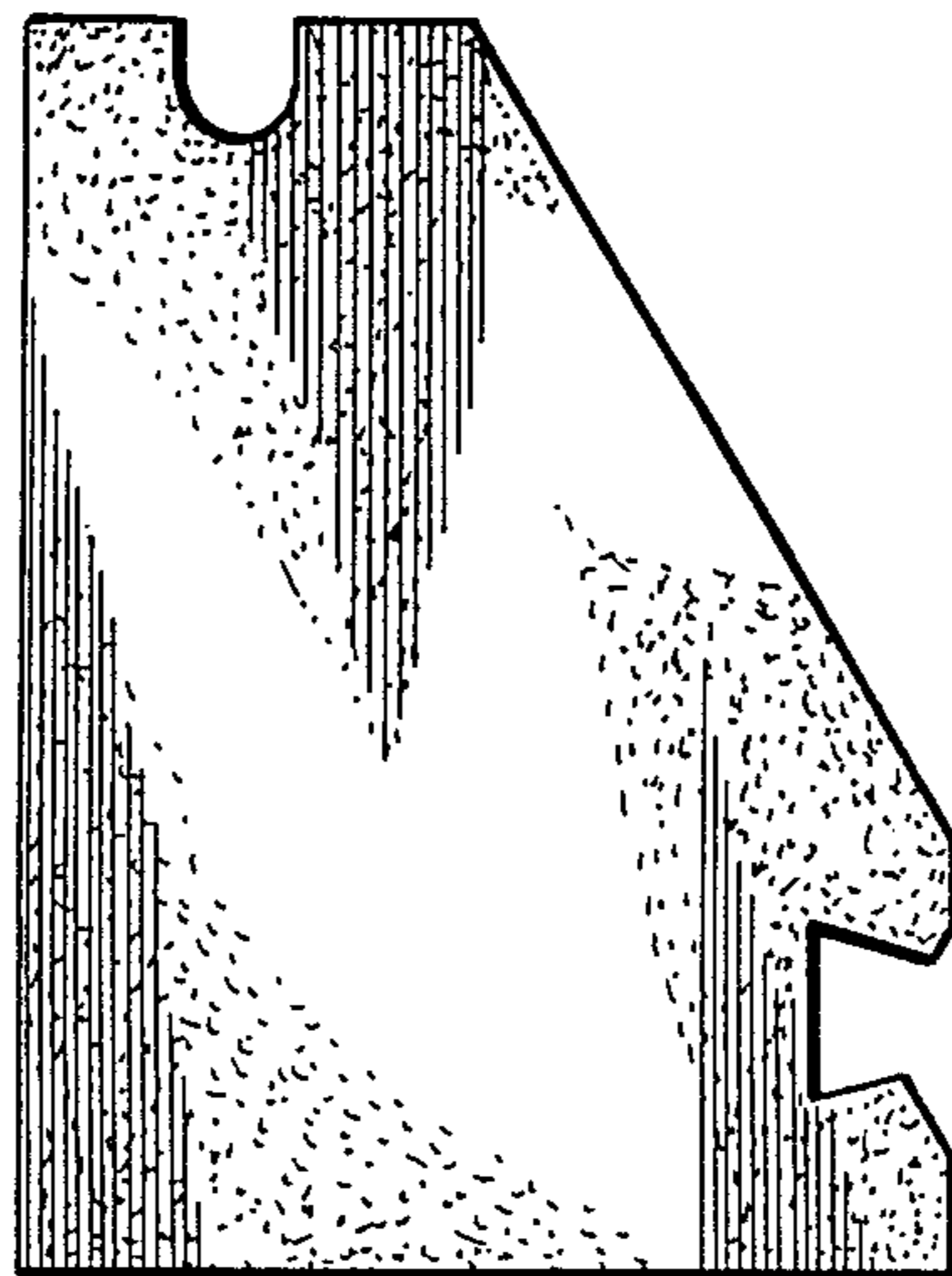


FIG. 2

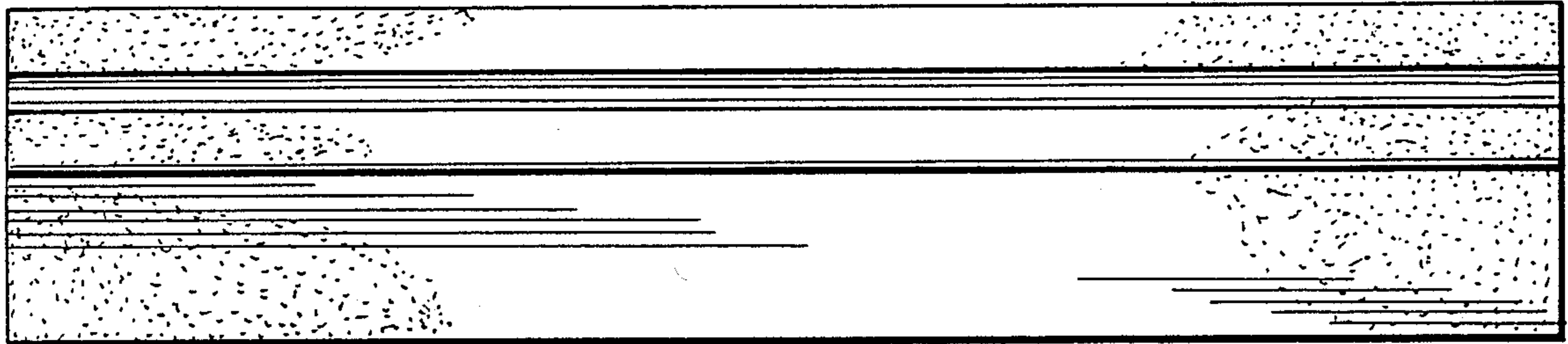


FIG. 3

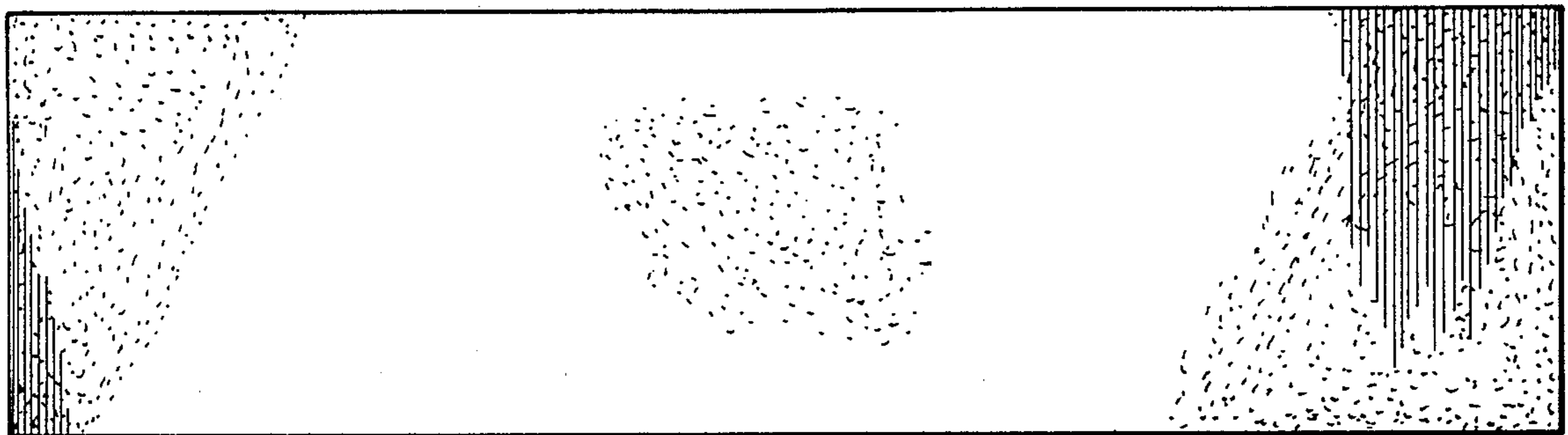


FIG. 4

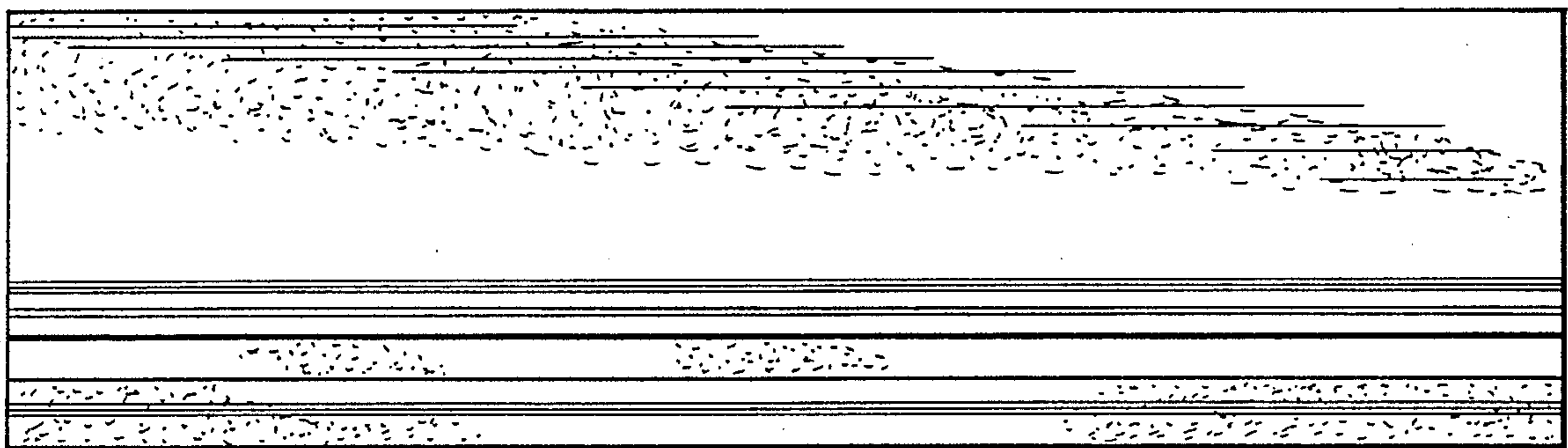


FIG. 5

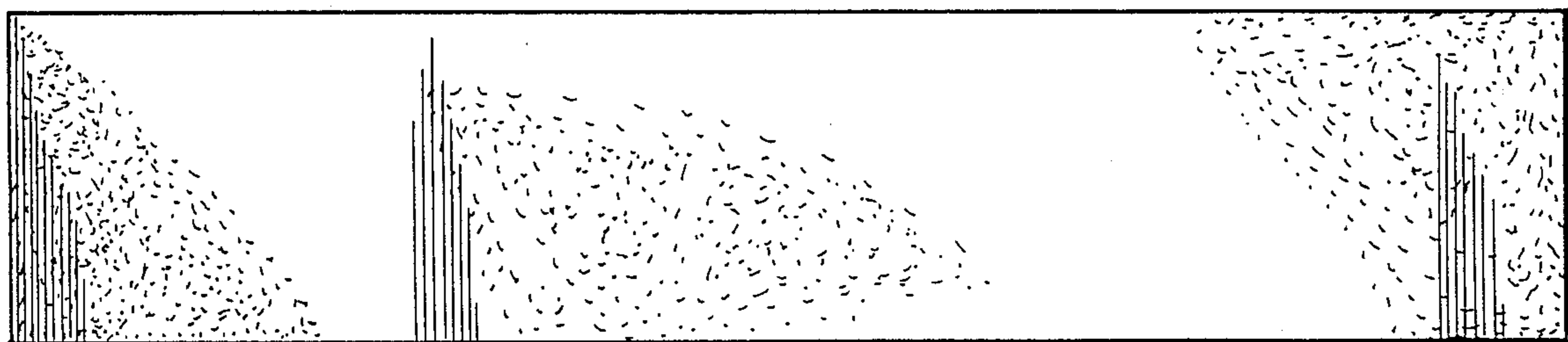


FIG. 6