

[54] **AIRBRUSH SPRAY BOOTH**

[75] **Inventor:** Simon J. Everingham, Harrogate, England
[73] **Assignee:** Simair Graphics Equipments Limited, Leeds, England
[**] **Term:** 14 Years
[21] **Appl. No.:** 139,371
[22] **Filed:** Dec. 30, 1987

[30] **Foreign Application Priority Data**
Jun. 30, 1987 [GB] United Kingdom 1043146
[52] **U.S. Cl.** **D23/371**
[58] **Field of Search** D23/370, 371;
55/DIG. 18, DIG. 29, DIG. 46; 98/115.3,
115.2

[56] **References Cited**
U.S. PATENT DOCUMENTS
D. 296,469 6/1988 Bianchetti D23/370

OTHER PUBLICATIONS
CleanLine Model CHC 24-4 Workbench.
Cole-Parmer Instrument Co. 1981-82 Catalogue, p. 126, Fume Adsorber, left top side of page.
American Scientific Products 1981-82 Catalogue, p.

625, Lerner Fume-Gards L5359-1 and L5359-2, left and middle top of page.
Eclipse Air Brush Company Paint Spray Booth Catalogue, p. 4, Eclipse Paint Arrestor Type Floor Style Paint Spray Booth, left top side of page.
SimAir Studio Gloo-Booth Advertising Flyer, published in 1983, Extraction Booth.

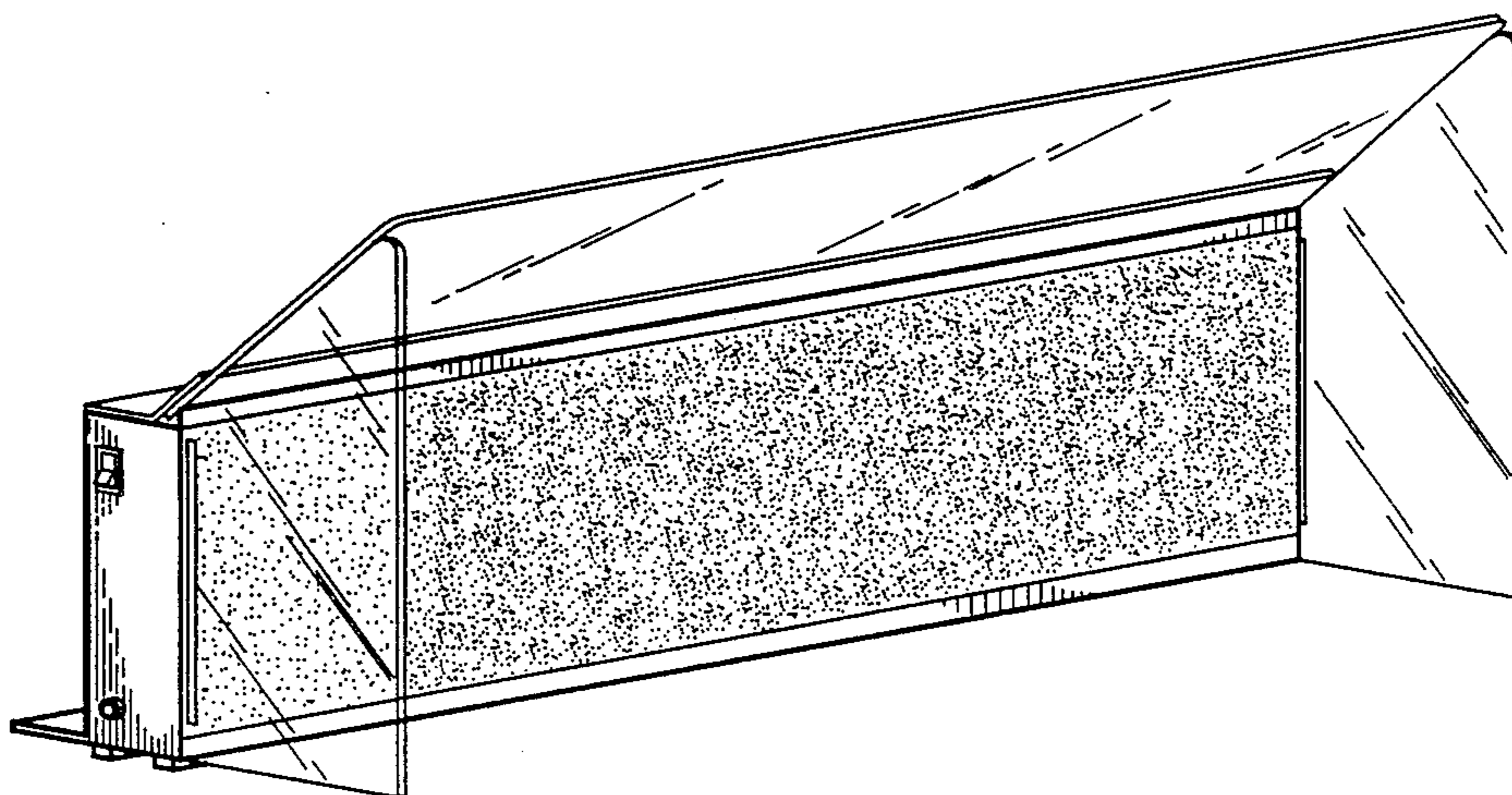
Primary Examiner—James M. Gandy
Assistant Examiner—Lisa Lichtenstein
Attorney, Agent, or Firm—Timothy J. Martin

[57] **CLAIM**

The ornamental design of an airbrush spray booth, as shown.

DESCRIPTION

FIG. 1 is a front elevational view of an airbrush spray booth embodying my new design;
FIG. 2 is a rear elevational view thereof;
FIG. 3 is a top plan view thereof;
FIG. 4 is a bottom plan view thereof;
FIG. 5 is a side elevational view thereof as seen from one side;
FIG. 6 is a side elevational view thereof as seen from the other side;
FIG. 7 is a perspective view thereof as seen from the front and to one side thereof;
FIG. 8 is a perspective view thereof as seen from the rear and from the other side; and
FIG. 9 is a cross-sectional view thereof as seen on the section line 9-9 of FIG. 1.



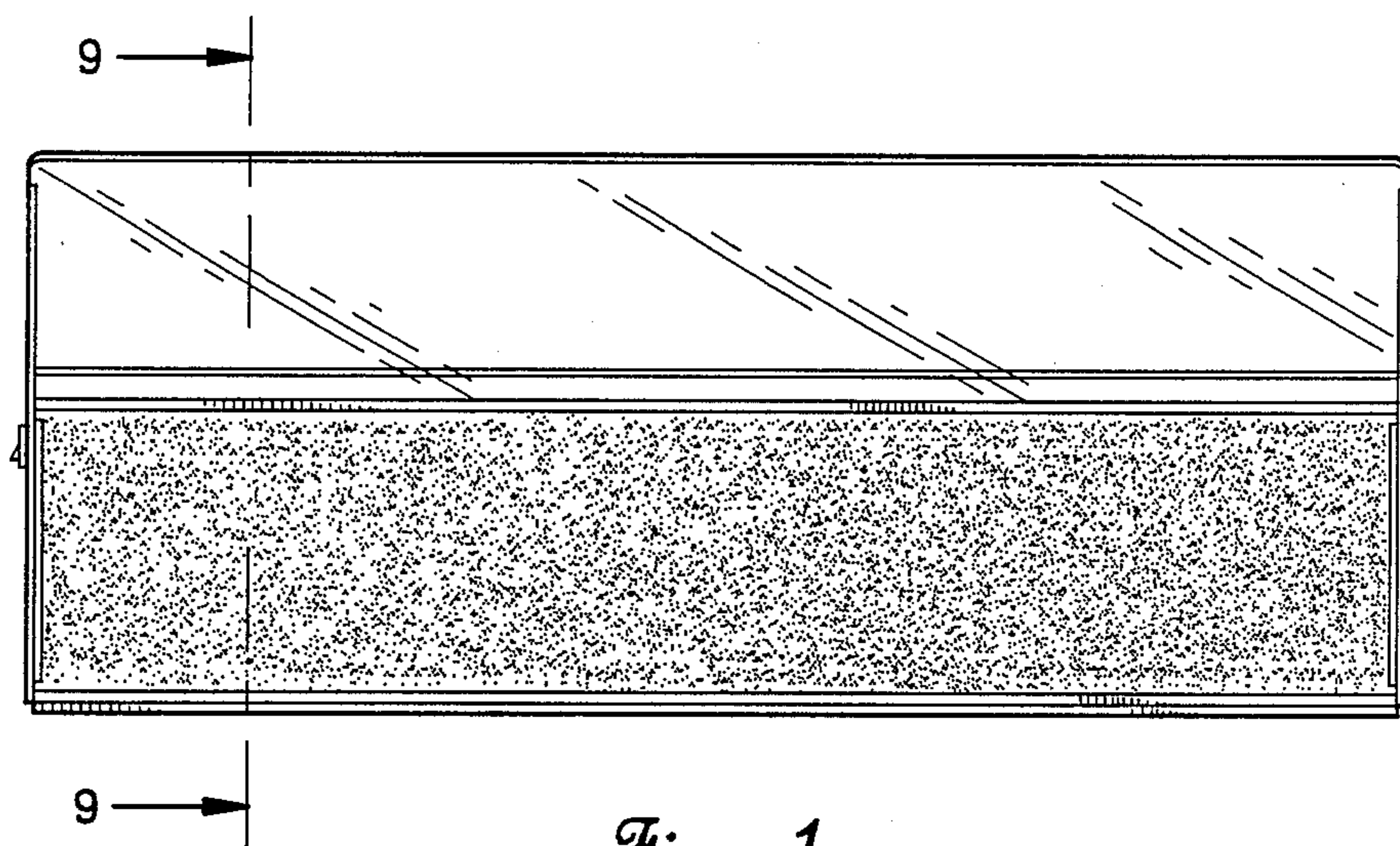


Fig. 1

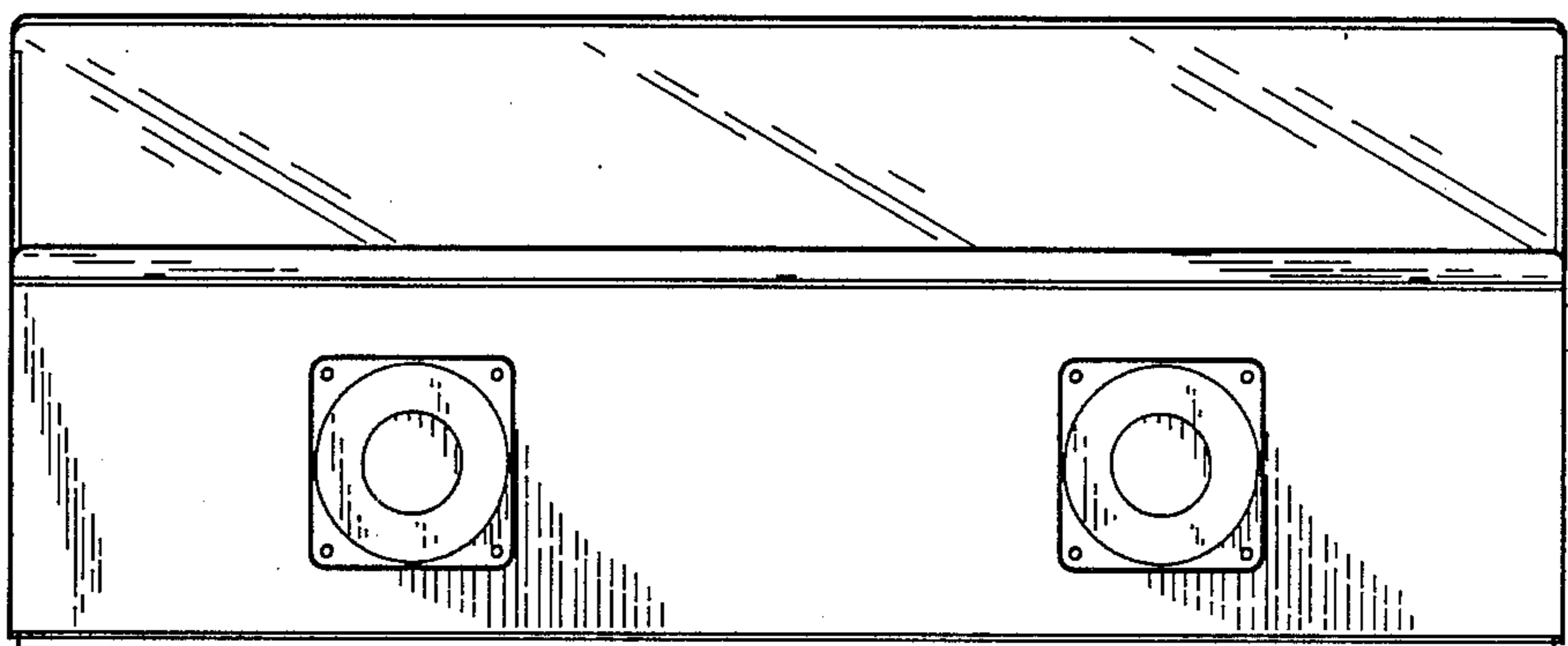


Fig. 2

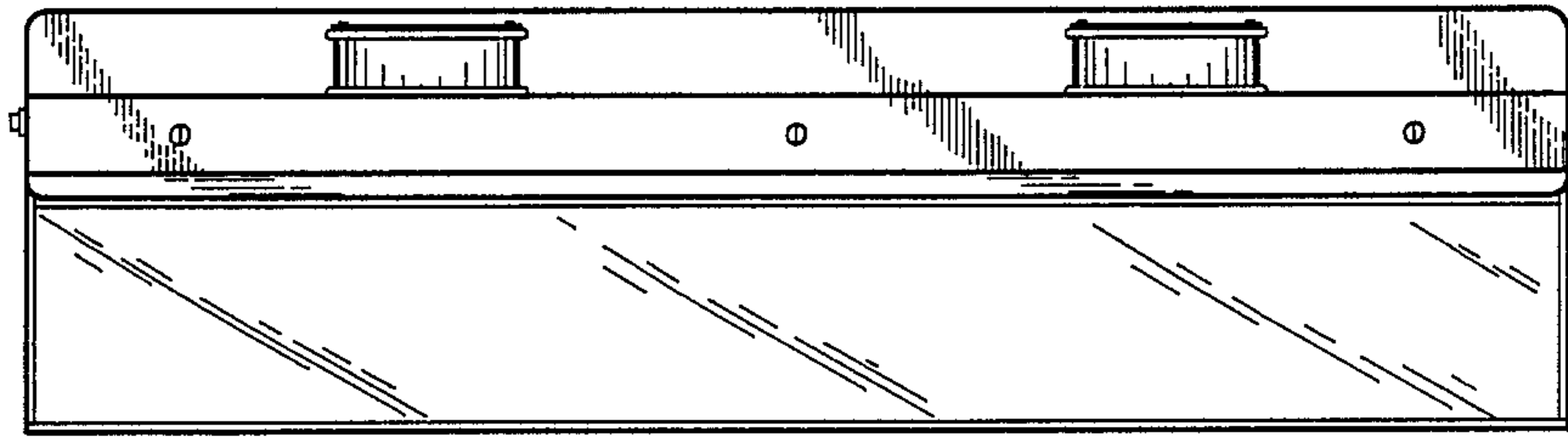


Fig. 3

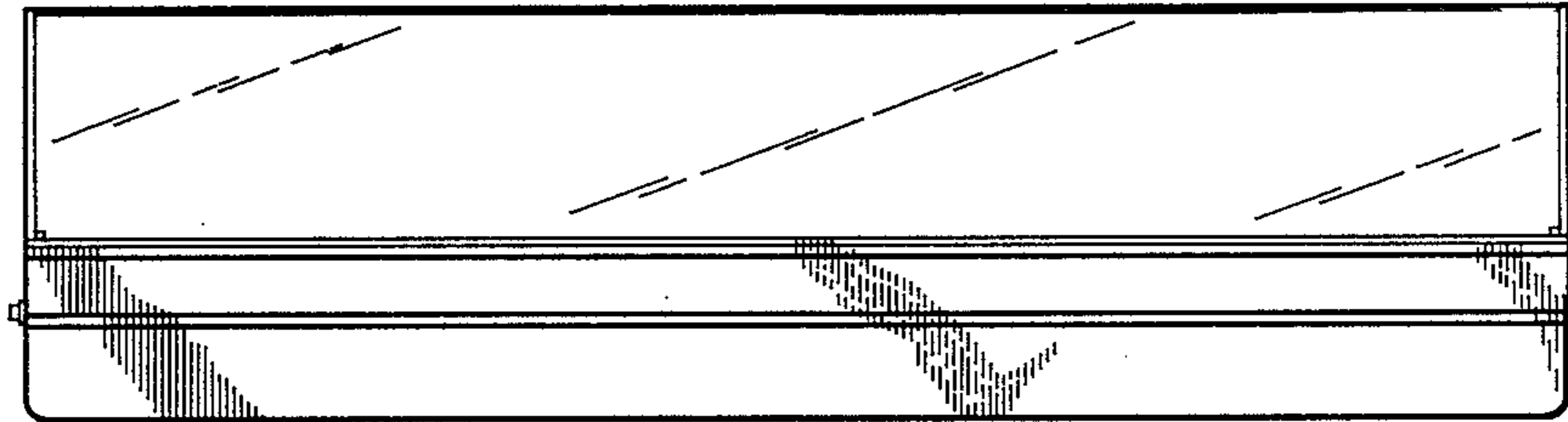


Fig. 4

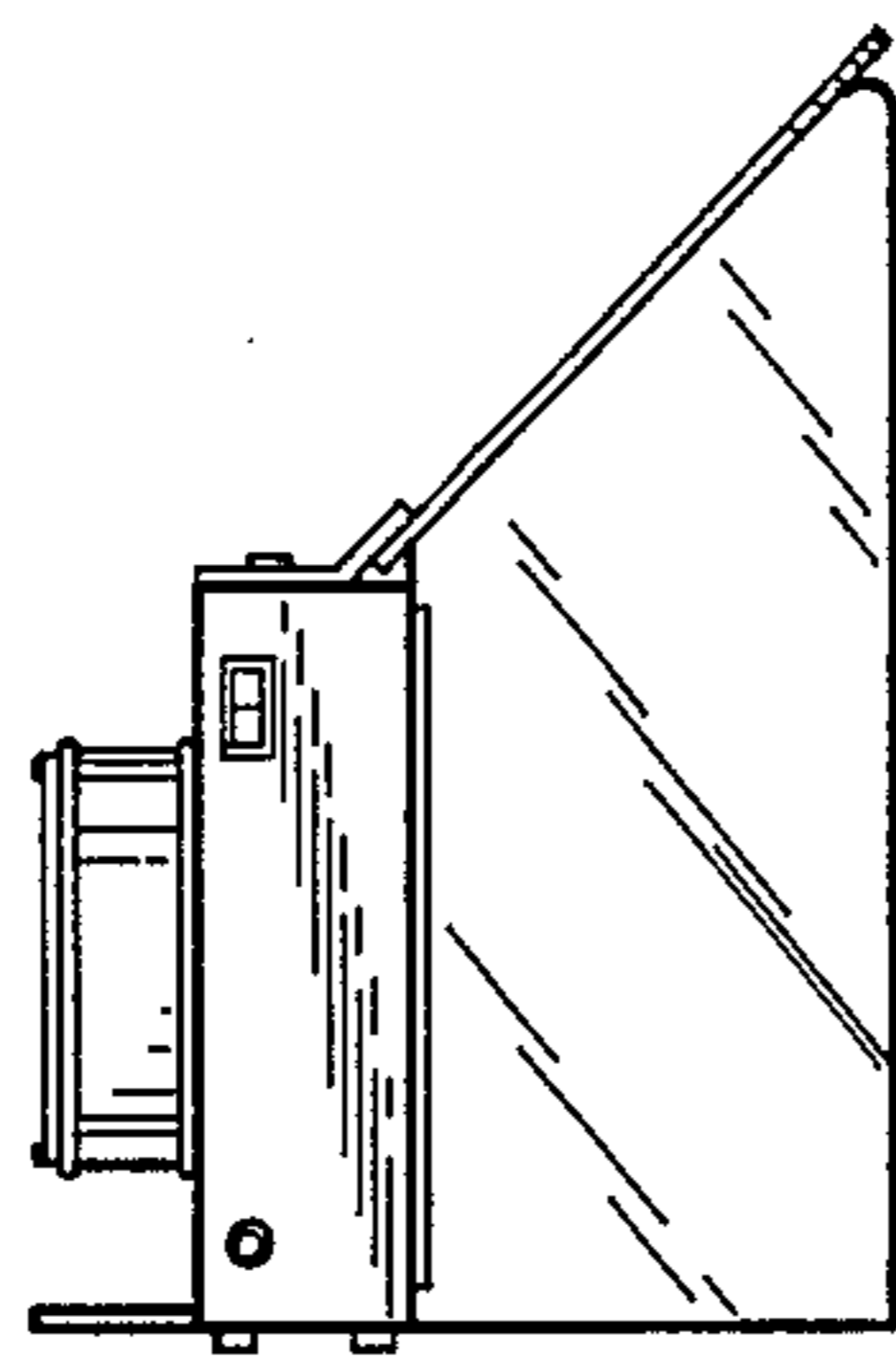


Fig. 5

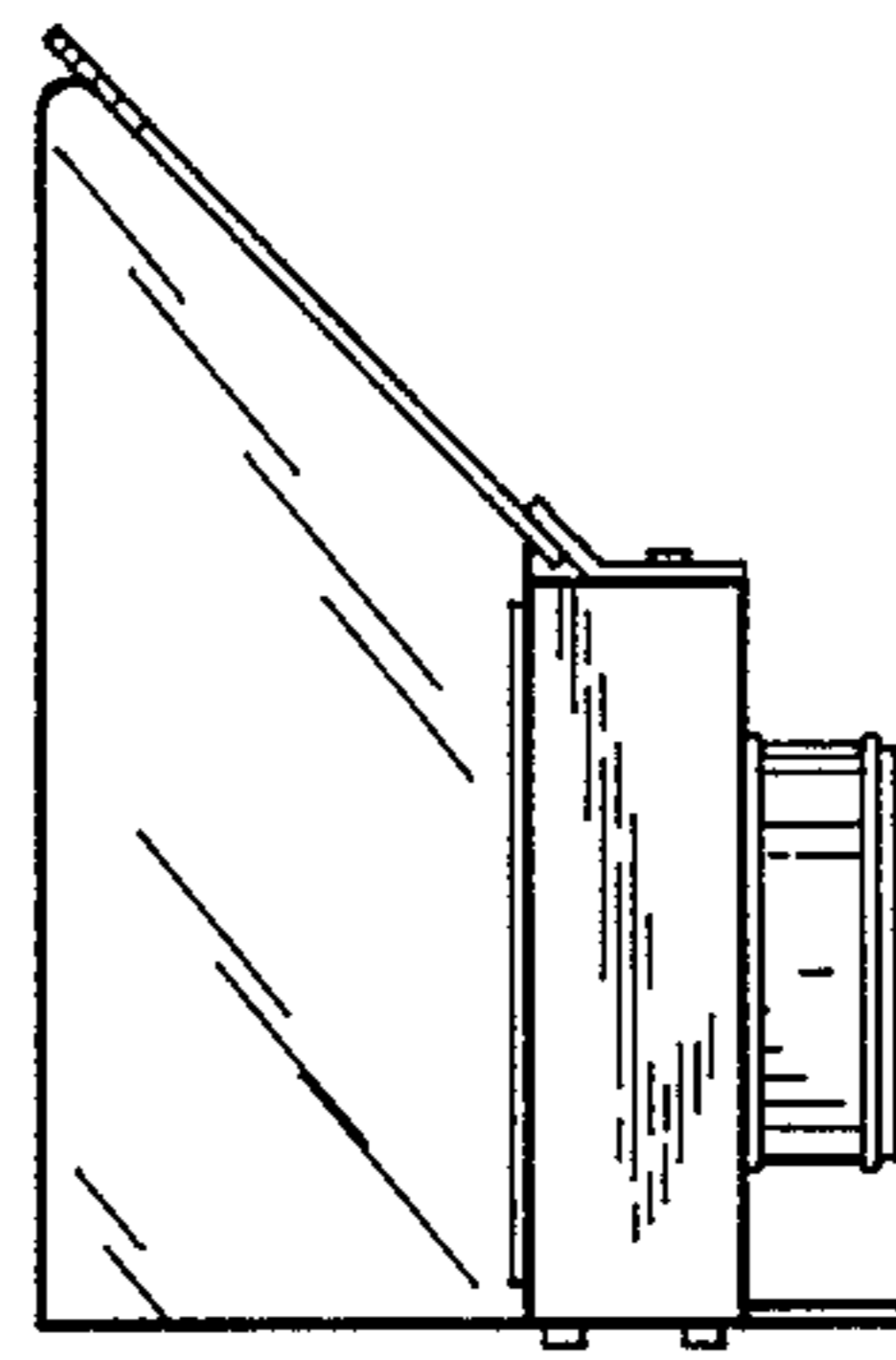


Fig. 6

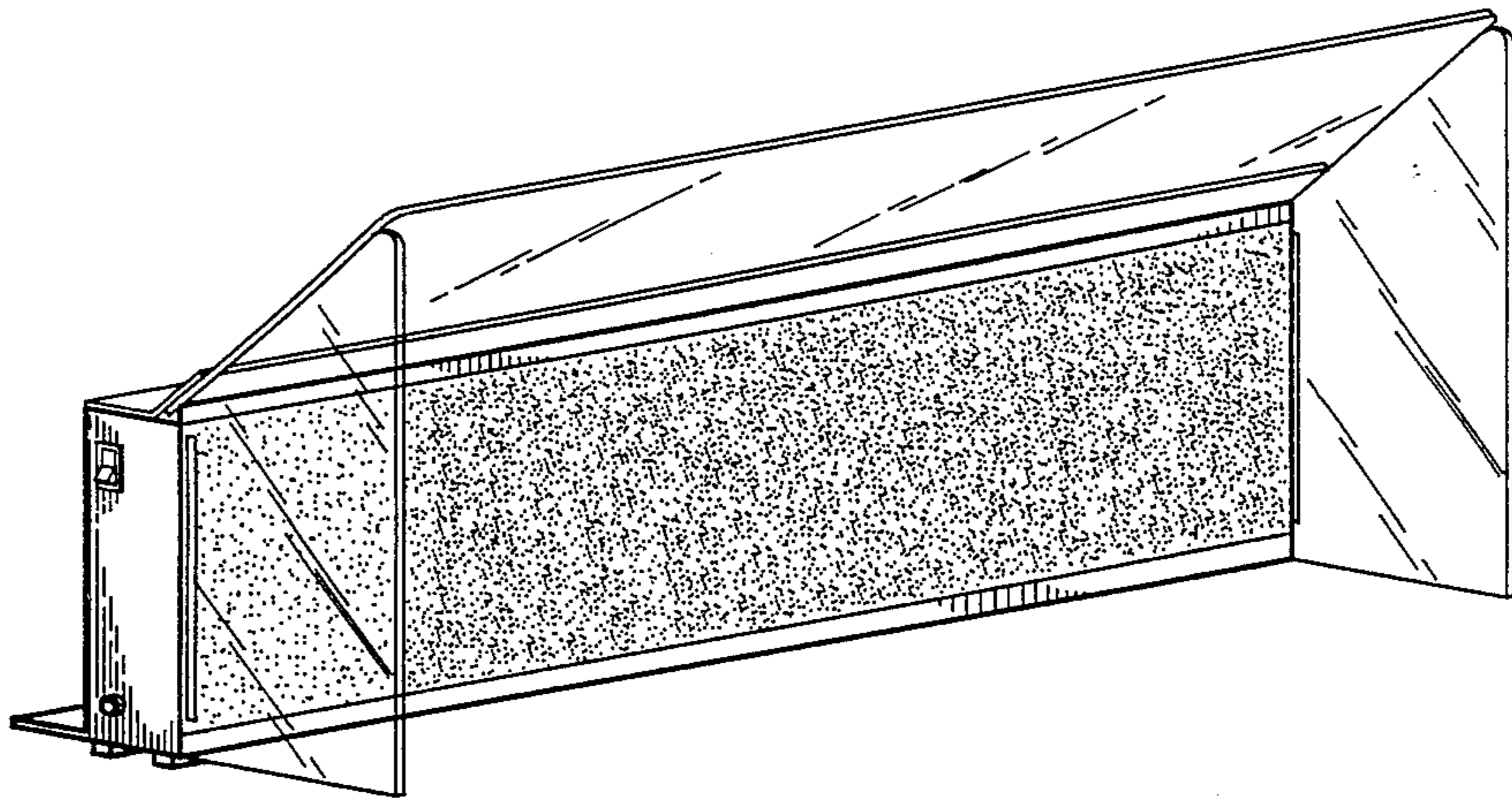


Fig. 7

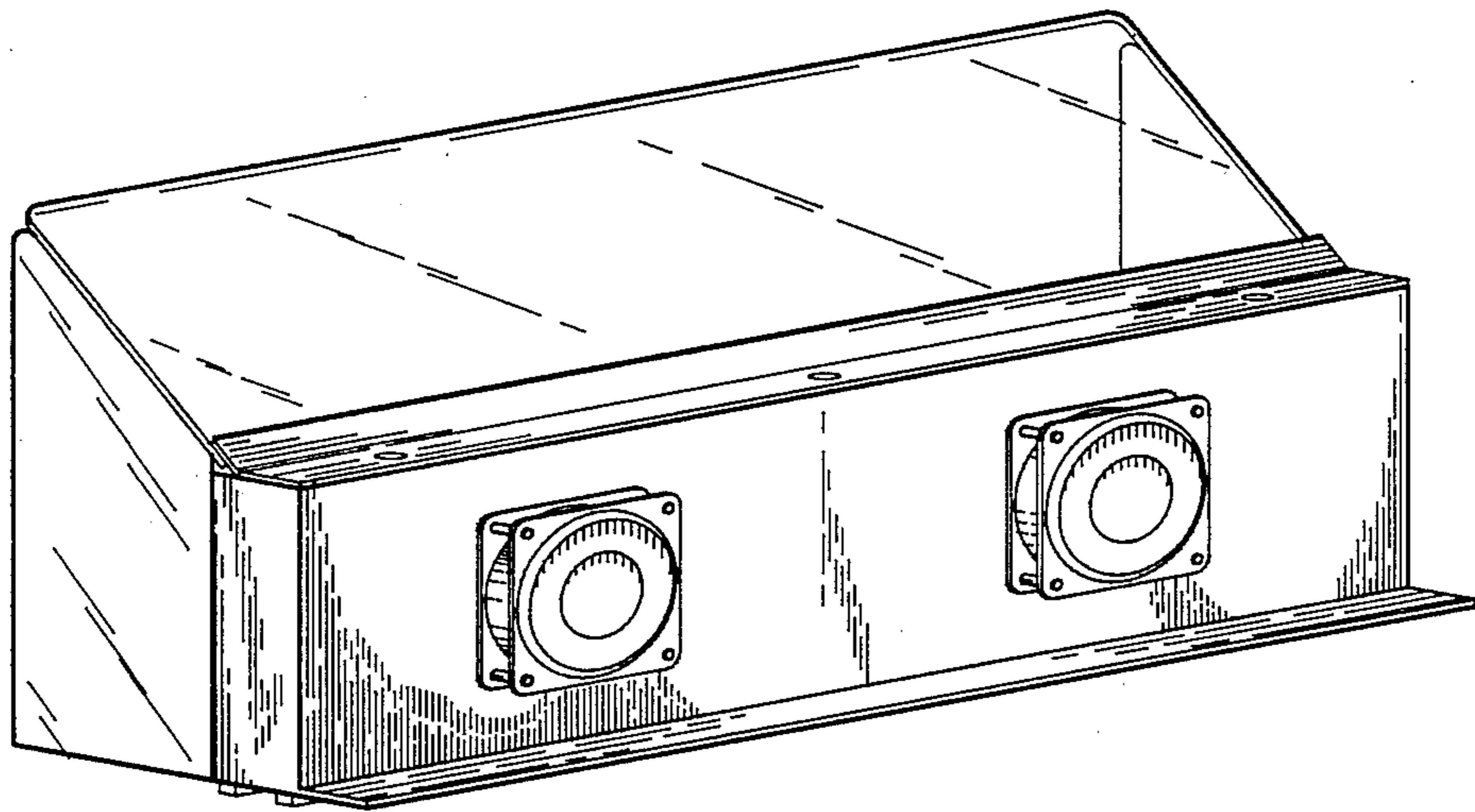


Fig. 8

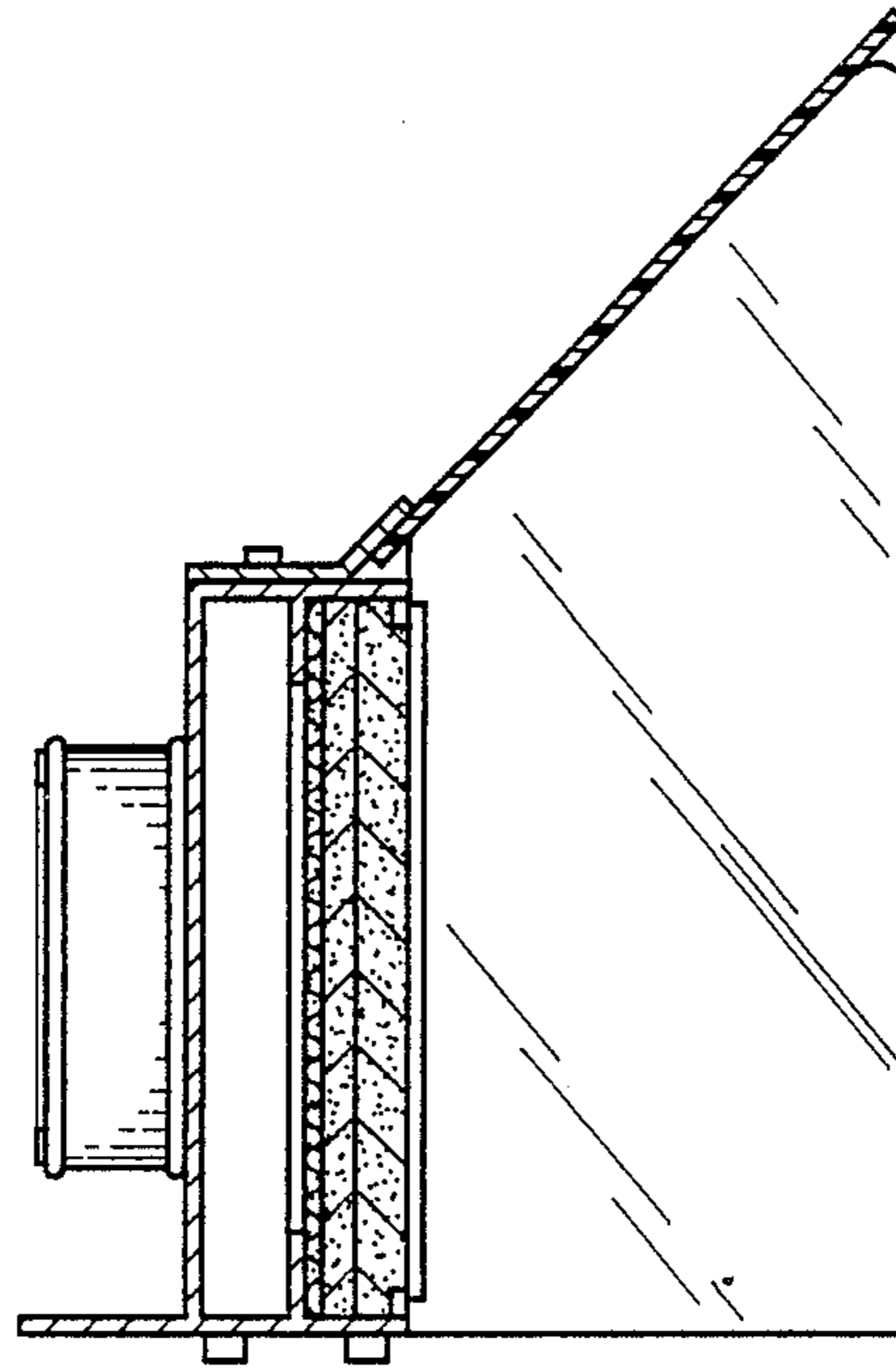


Fig. 9