

[54] AIR CONDITIONER

[75] Inventors: Anthony D. Kearney, Henley Beach; Gilbert J. Sare, Parkside, both of Australia

[73] Assignee: E.F. Seeley Nominees Pty. Ltd., Australia

[**] Term: 14 Years

[21] Appl. No.: 268,993

[22] Filed: Nov. 8, 1988

[30] Foreign Application Priority Data

May 9, 1988 [AU] Australia 1487/88

[52] U.S. Cl. D23/351

[58] Field of Search D23/351, 354, 333; 248/126; 98/121.1, 94.2; 62/259.1, 297; 416/247 R, 244 R

[56] References Cited

U.S. PATENT DOCUMENTS

D. 184,308 1/1959 Eisendrath D23/333

D. 284,999 8/1986 Worthington et al. D23/351
D. 294,633 3/1988 McBratney D23/353
3,137,226 6/1964 Pietsch 98/94.2
4,819,448 4/1989 Campbell et al. 62/259.1

FOREIGN PATENT DOCUMENTS

2114991 9/1972 Fed. Rep. of Germany 98/121.1

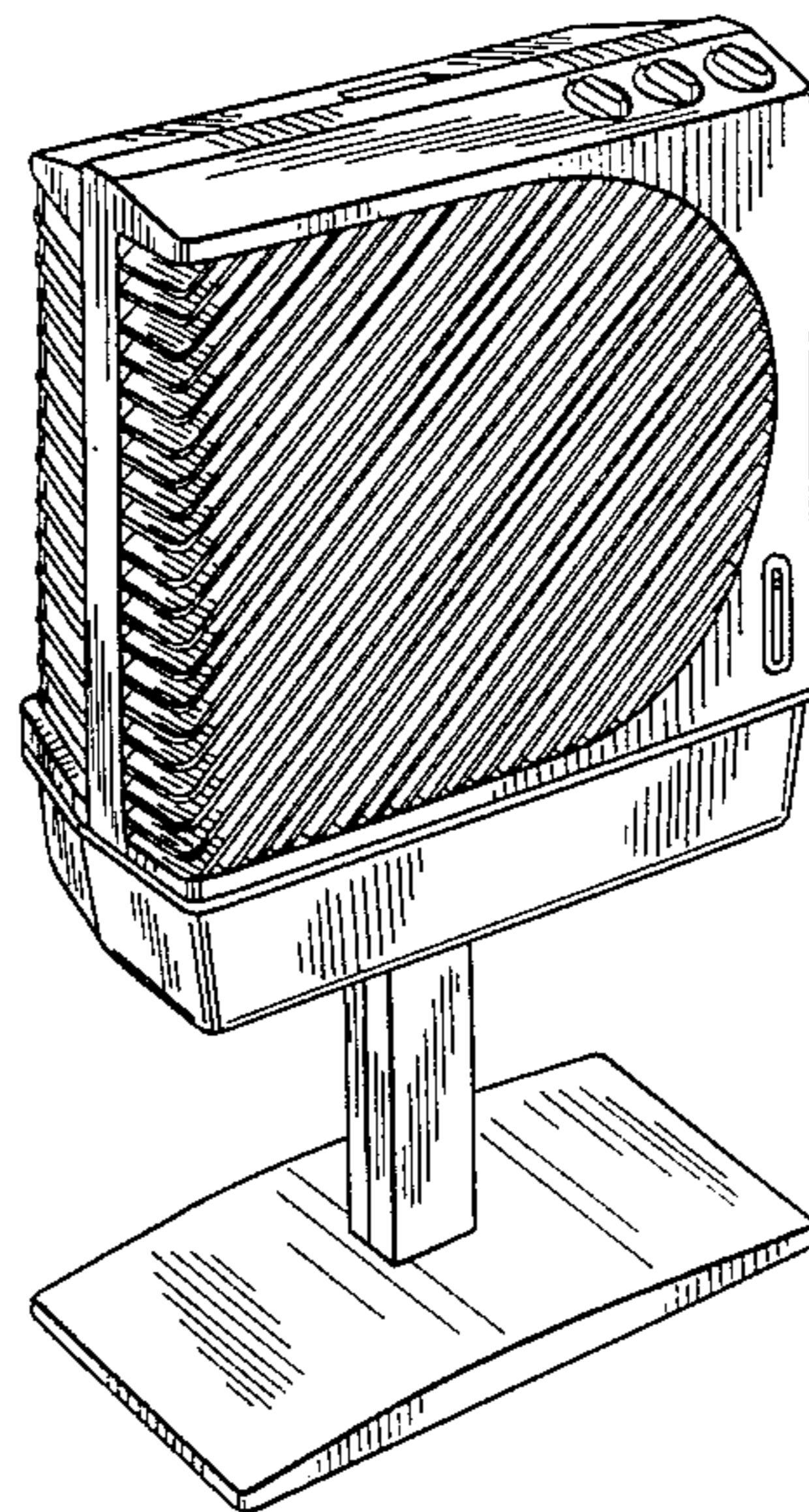
Primary Examiner—James M. Gandy
Assistant Examiner—Lisa Lichtenstein
Attorney, Agent, or Firm—Brown, Martin, Haller & McClain

[57] CLAIM

The ornamental design for an air conditioner, as shown.

DESCRIPTION

FIG. 1 is a front perspective view of an air conditioner showing our new design;
FIG. 2 is a rear perspective view thereof;
FIG. 3 is a top plan view thereof;
FIG. 4 is a front elevation view thereof;
FIG. 5 is a left side elevation view thereof;
FIG. 6 is a rear elevation view thereof; and
FIG. 7 is a right side elevation view thereof.



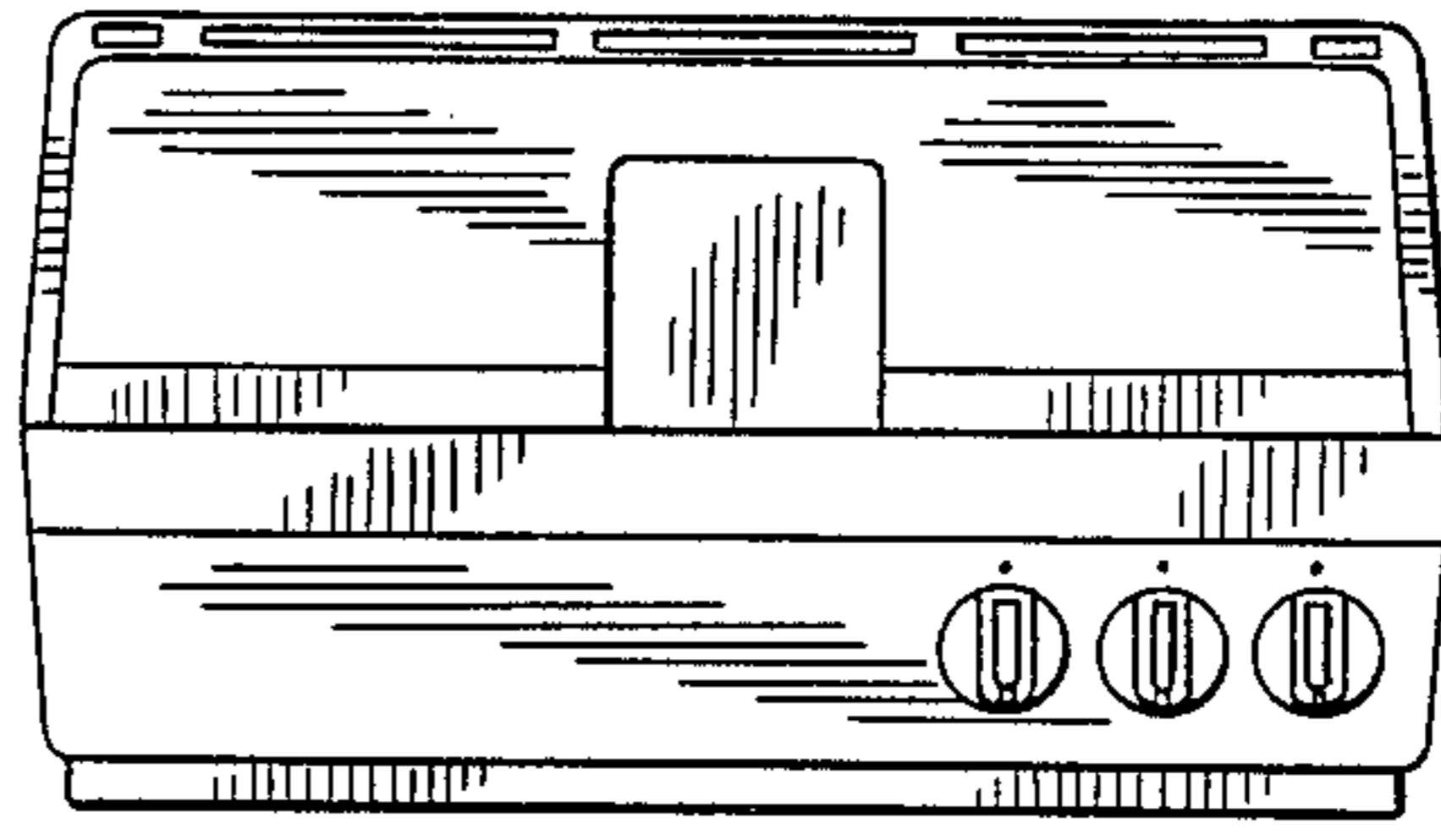


FIG. 3

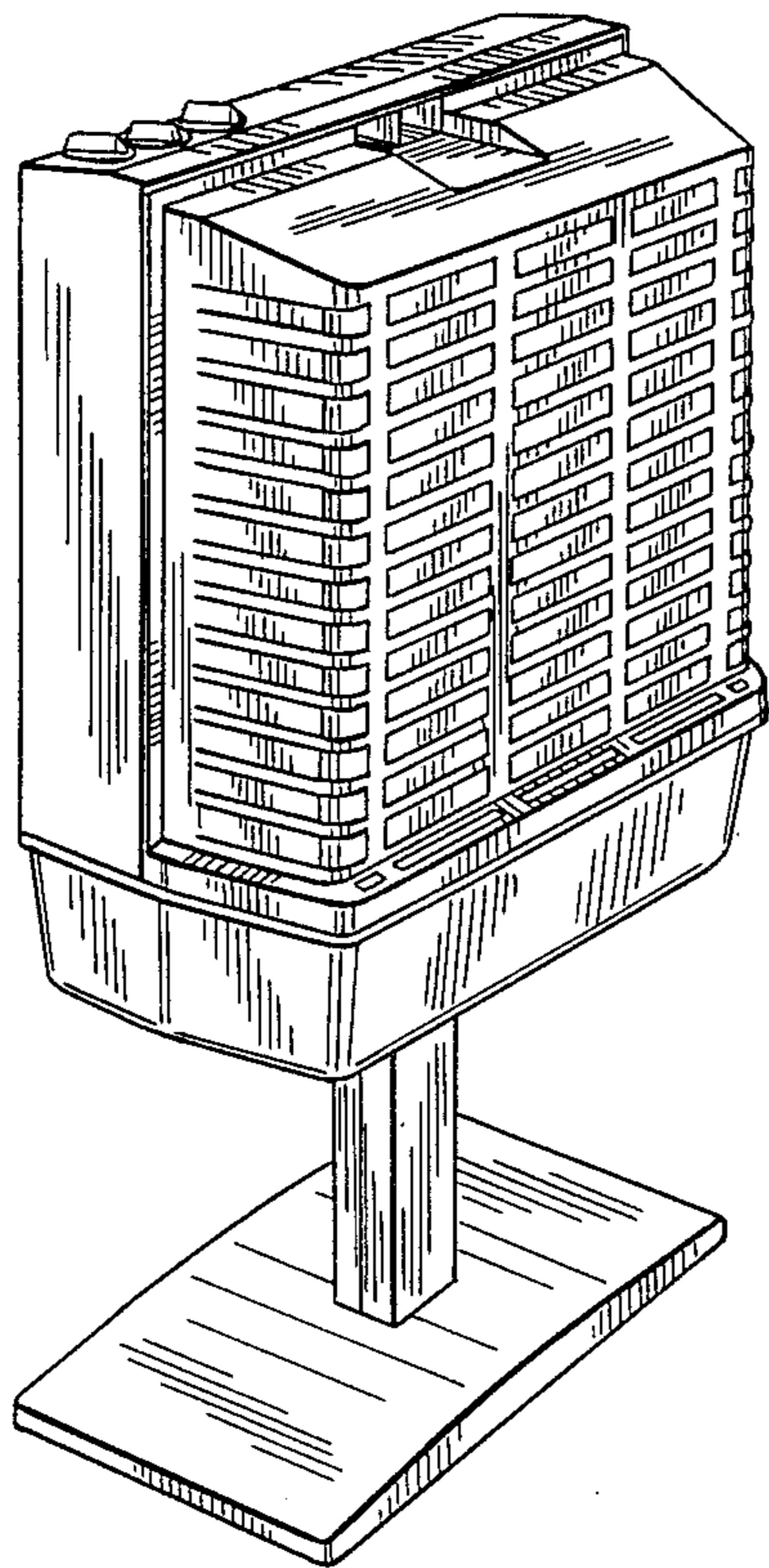


FIG. 2

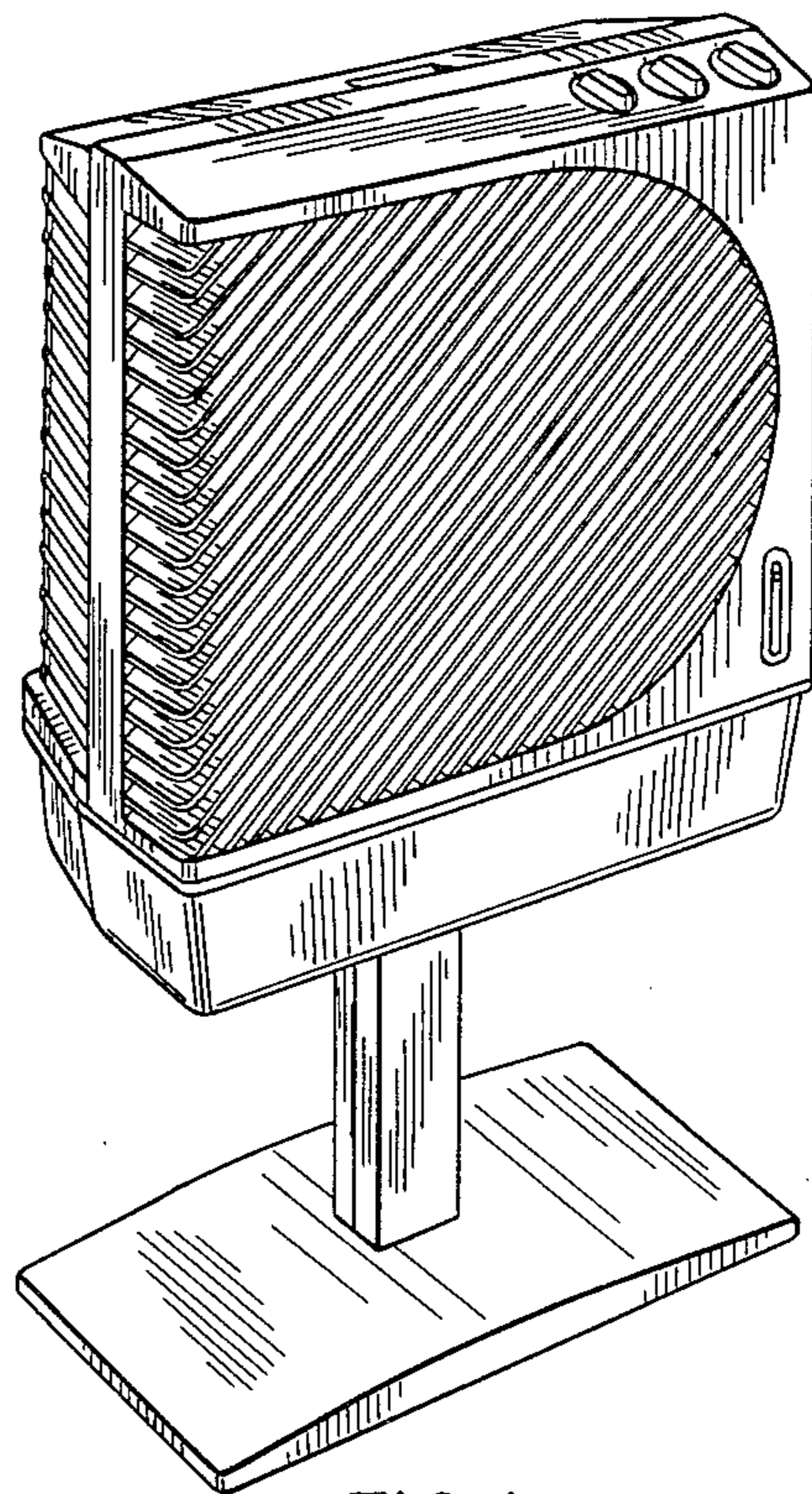


FIG. 1

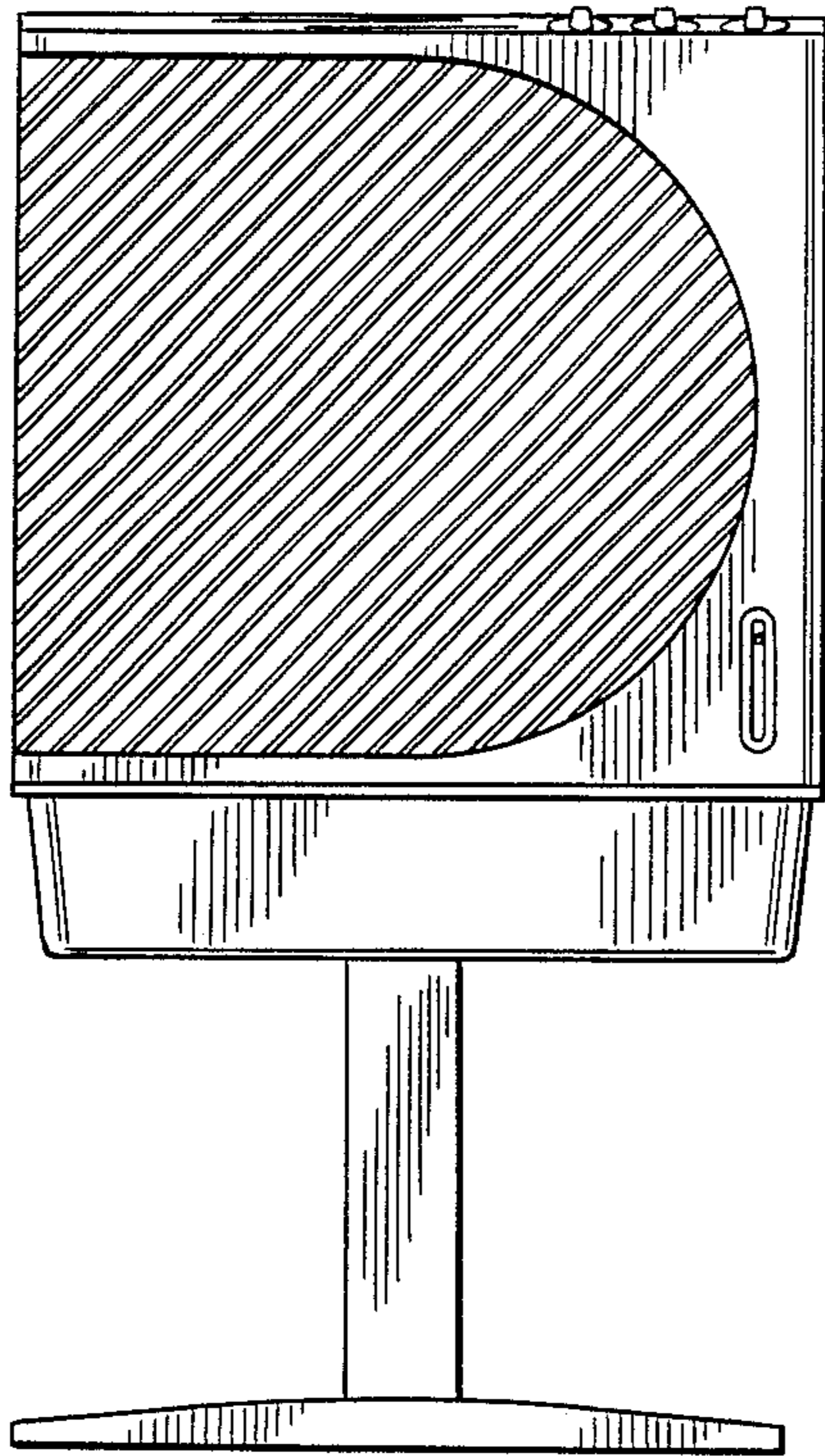


FIG. 4

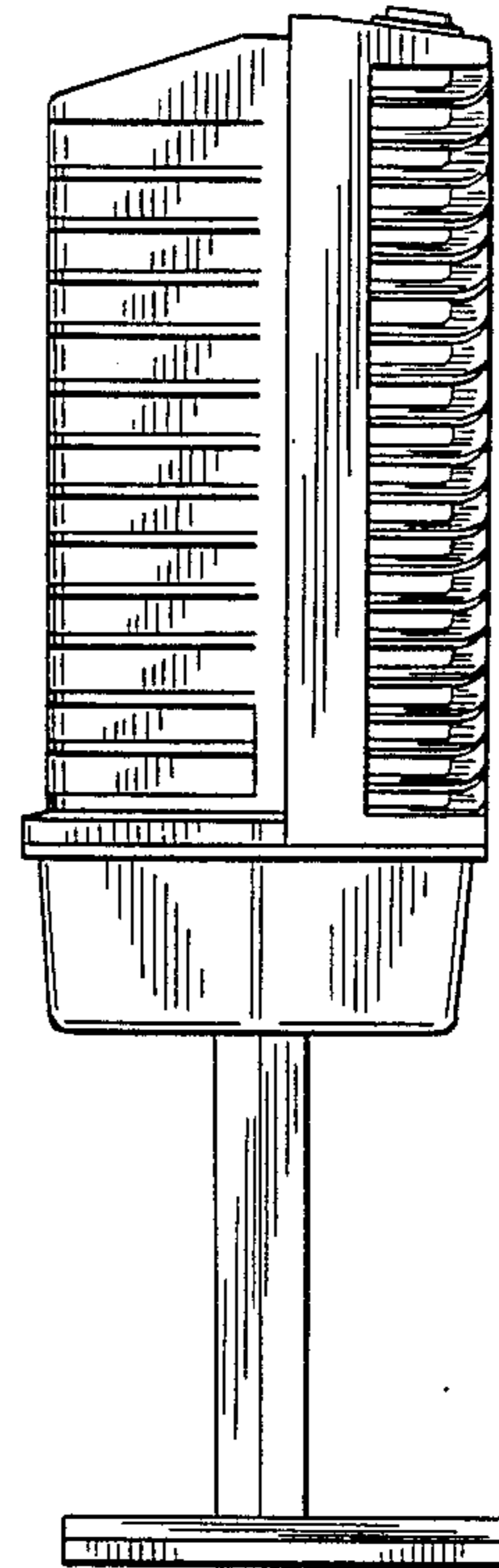


FIG. 5

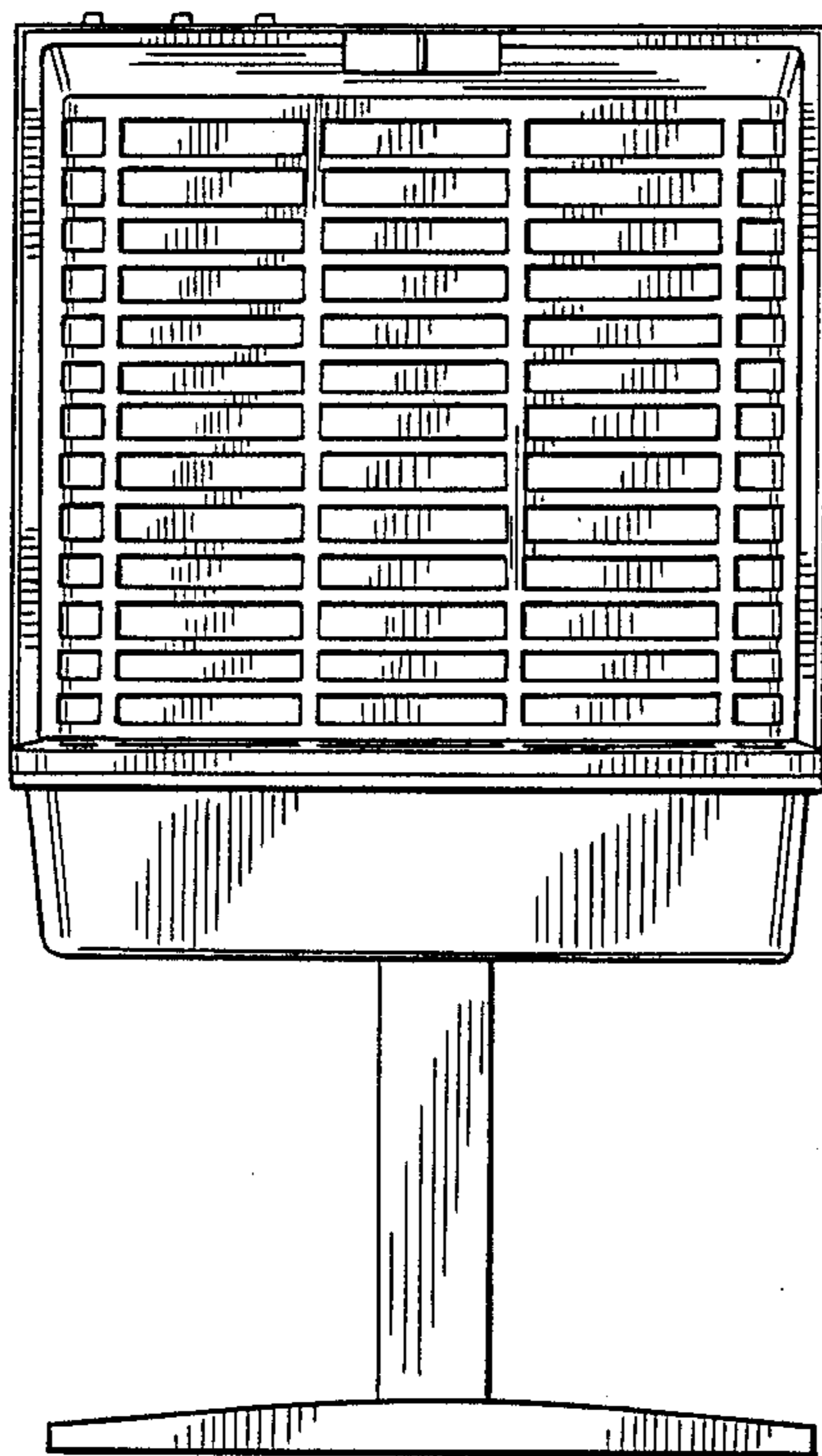


FIG. 6

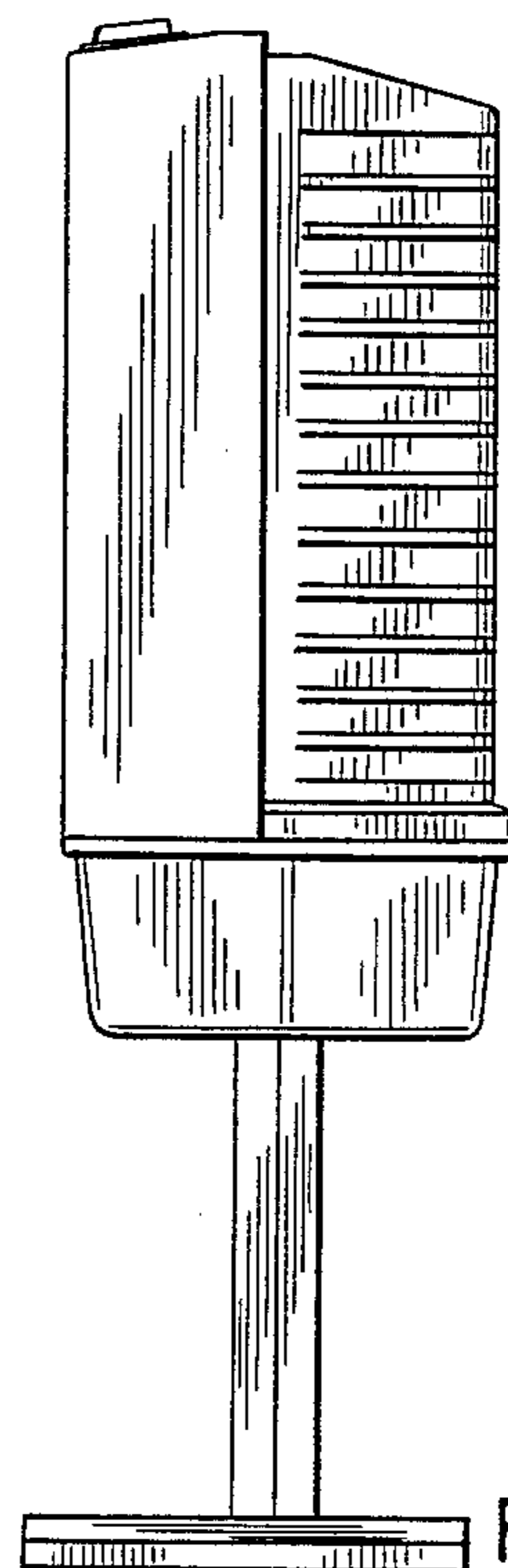


FIG. 7

UNITED STATES PATENT AND TRADEMARK OFFICE
CERTIFICATE OF CORRECTION

PATENT NO. : Des. 311,575

DATED : Oct. 23, 1990

INVENTOR(S) : Anthony D. Kearney, et al

It is certified that error appears in the above-identified patent and that said Letters Patent is hereby corrected as shown below:

ON TITLE PAGE: ITEM [75] Inventors:

--Anthony D. Kearney, Henley Beach;
Gilbert J. Sare, Parkside, both of
South Australia--.

Signed and Sealed this
Eleventh Day of February, 1992

Attest:

HARRY F. MANBECK, JR.

Attesting Officer

Commissioner of Patents and Trademarks