

[54] COMBINED VALVE AND GAUGE

[75] Inventor: Marvin D. Burns, Millbury, Ohio

[73] Assignee: Champion Spark Plug Company, Toledo, Ohio

[\*\*] Term: 14 Years

[21] Appl. No.: 15,181

[22] Filed: Feb. 17, 1987

[52] U.S. Cl. .... D23/235

[58] Field of Search ..... D23/233-237, D23/244-249; 137/557

D. 259,734 6/1981 Cerrato ..... D23/246  
D. 291,231 8/1987 Datta ..... D23/235  
2,950,895 8/1960 Anderson ..... 137/557  
3,361,160 1/1968 Alper ..... 137/557

Primary Examiner—James R. Lergen  
Assistant Examiner—Demetriuss Reynolds  
Attorney, Agent, or Firm—MacMillan, Sobanski & Todd

[57] CLAIM

The ornamental design for a combined valve and gauge, as shown and described.

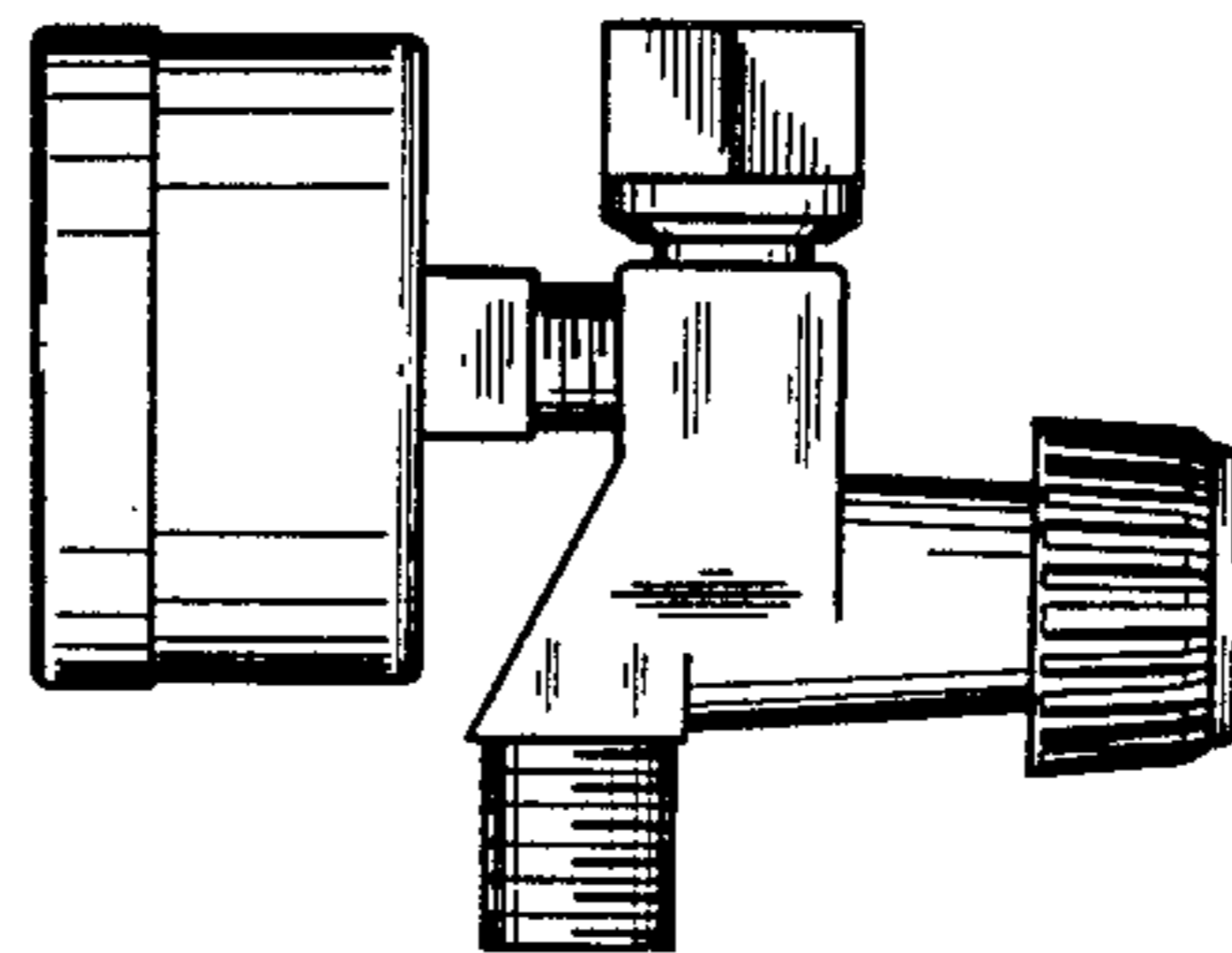
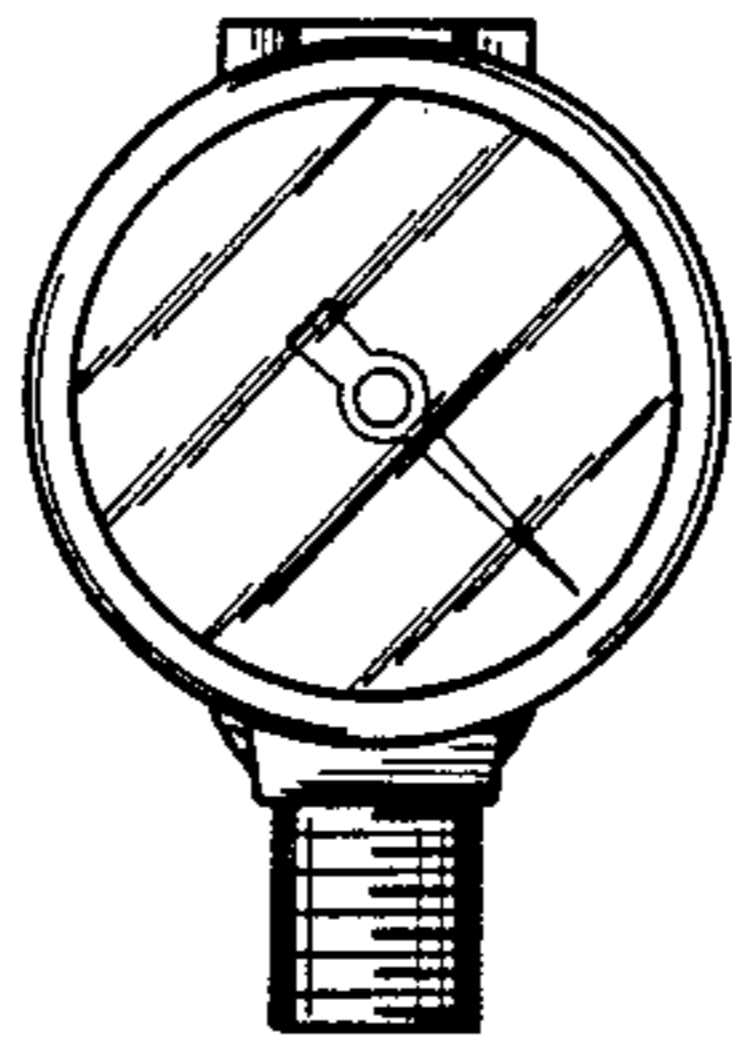
DESCRIPTION

FIG. 1 is a front elevational view of a combined valve and gauge embodying my new design;  
FIG. 2 is a right side elevational view thereof;  
FIG. 3 is a top plan view thereof;  
FIG. 4 is a left side elevational view thereof;  
FIG. 5 is a bottom plan view thereof;  
FIG. 6 is a rear elevational view thereof;  
FIG. 7 is a right side elevational view of a second embodiment thereof;  
FIG. 8 is a left side elevational view of FIG. 7; and  
FIG. 9 is a bottom plan view of FIG. 7.

[56] References Cited

U.S. PATENT DOCUMENTS

- D. 99,332 4/1936 Rice ..... D23/235
- D. 136,369 9/1943 Koppersmith ..... D23/235
- D. 153,063 3/1949 Hammon ..... D23/235
- D. 153,651 5/1949 Waite ..... D23/235
- D. 172,372 6/1954 Wagner ..... D23/235
- D. 180,992 9/1957 Britton ..... D23/235
- D. 206,042 10/1966 Pichulo et al. .... D23/245



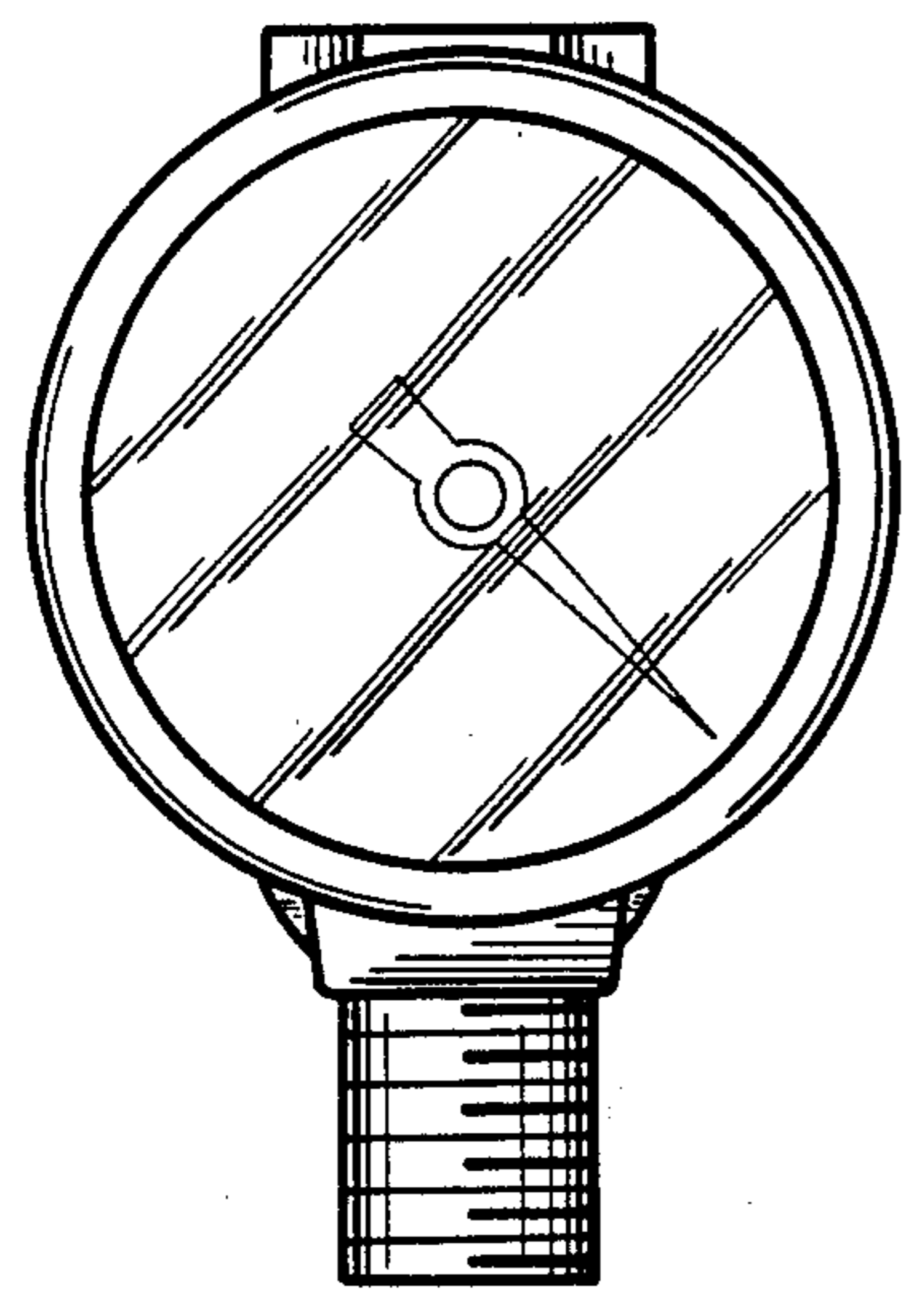


FIG. 1

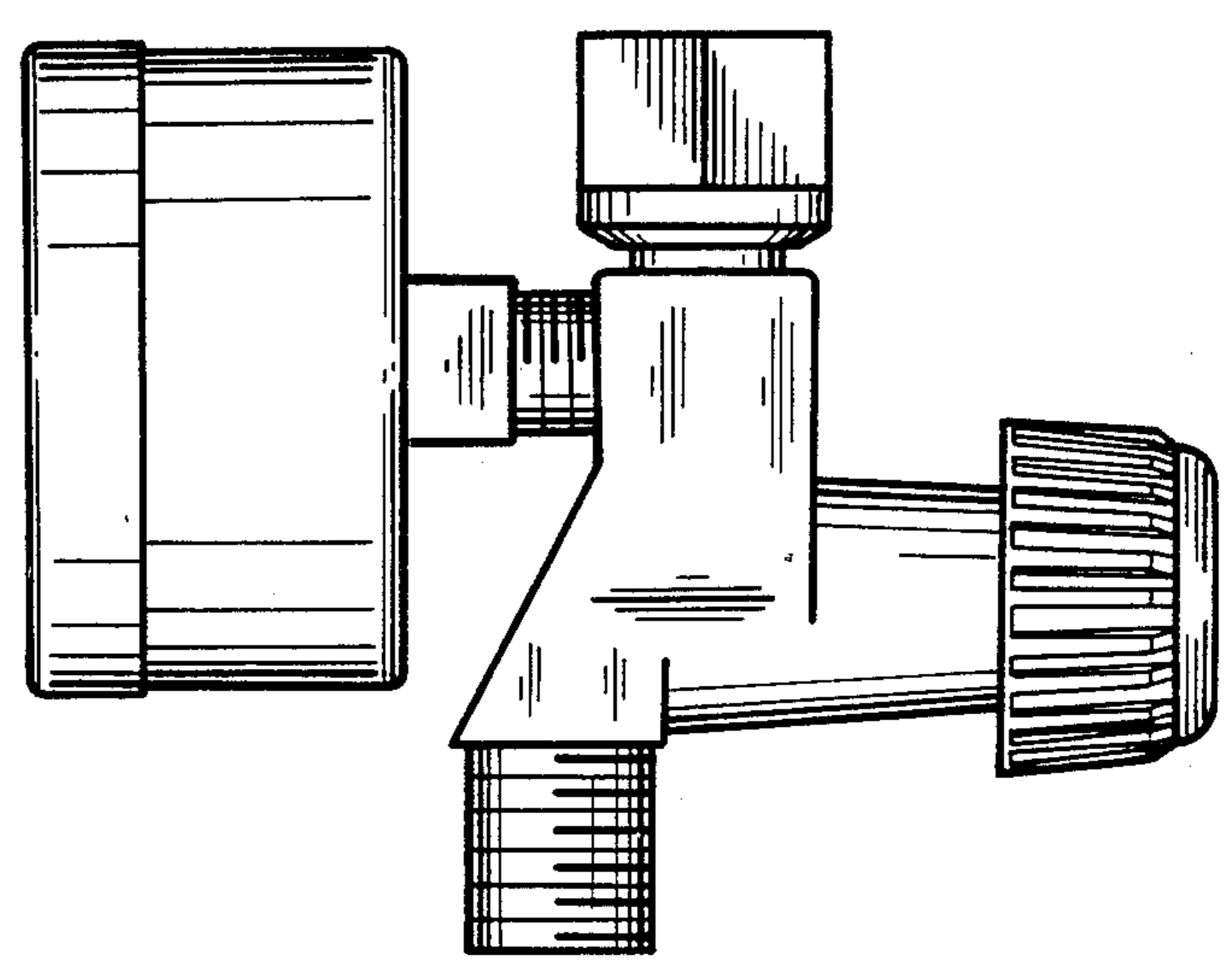


FIG. 2

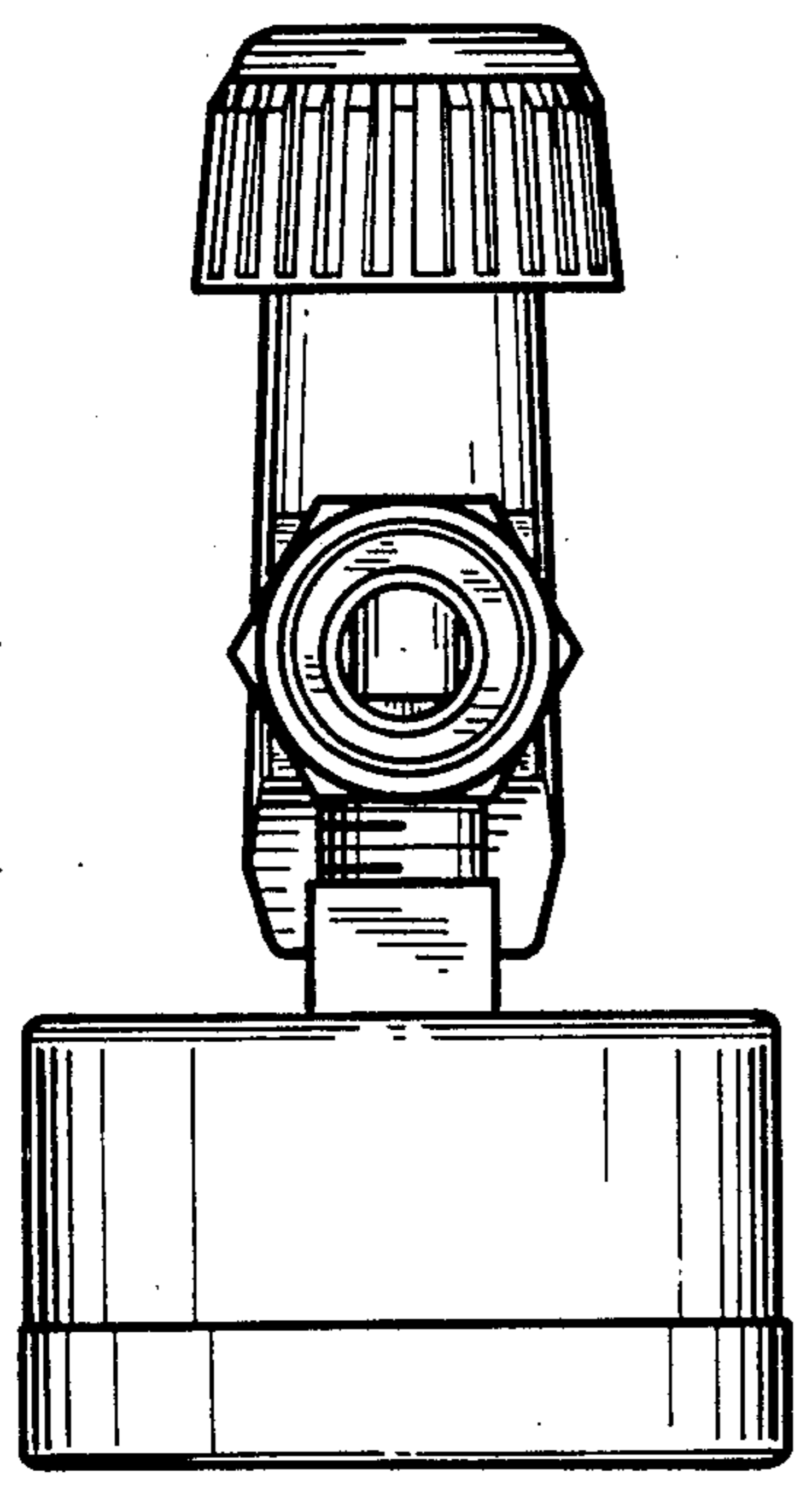


FIG. 3

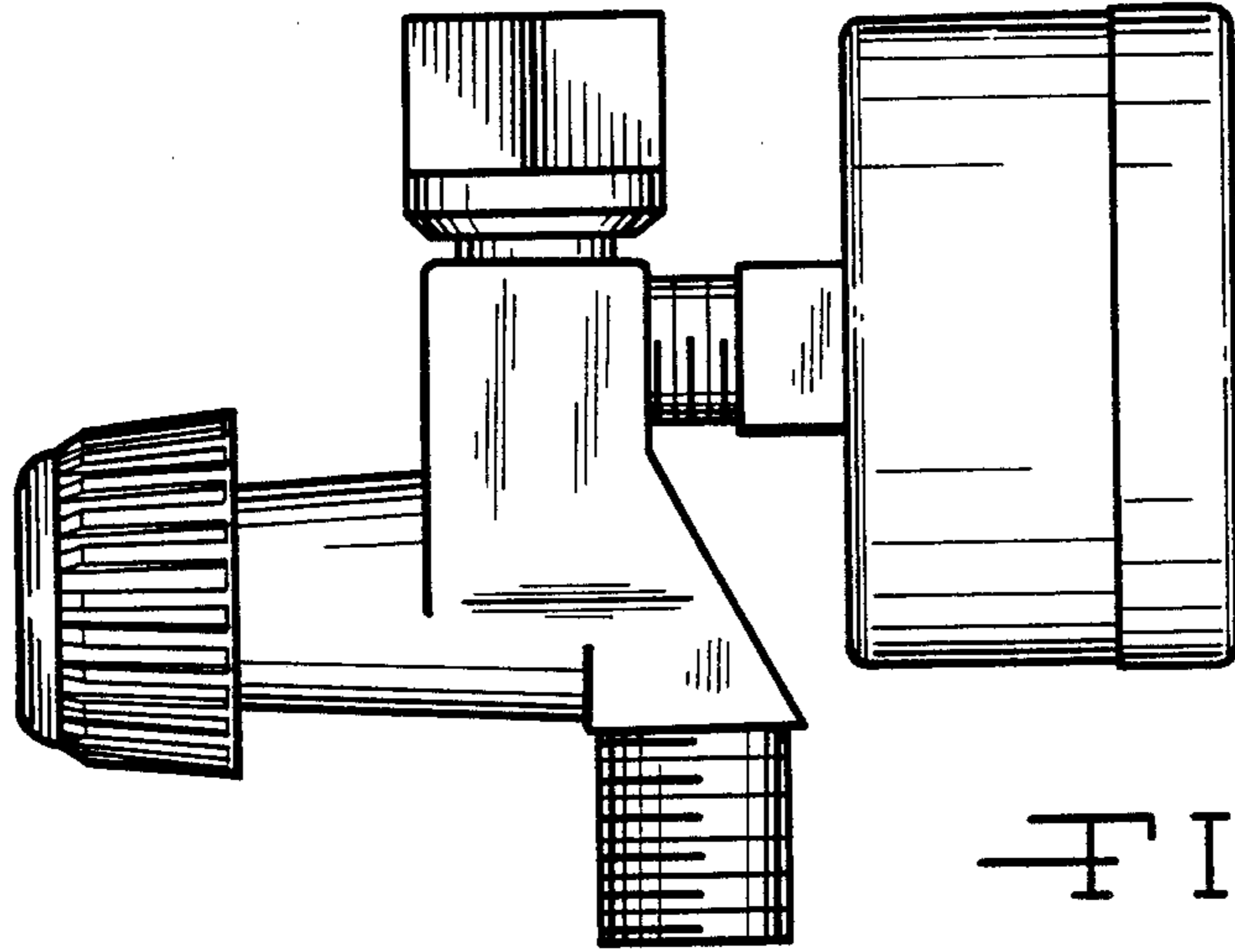


FIG. 4

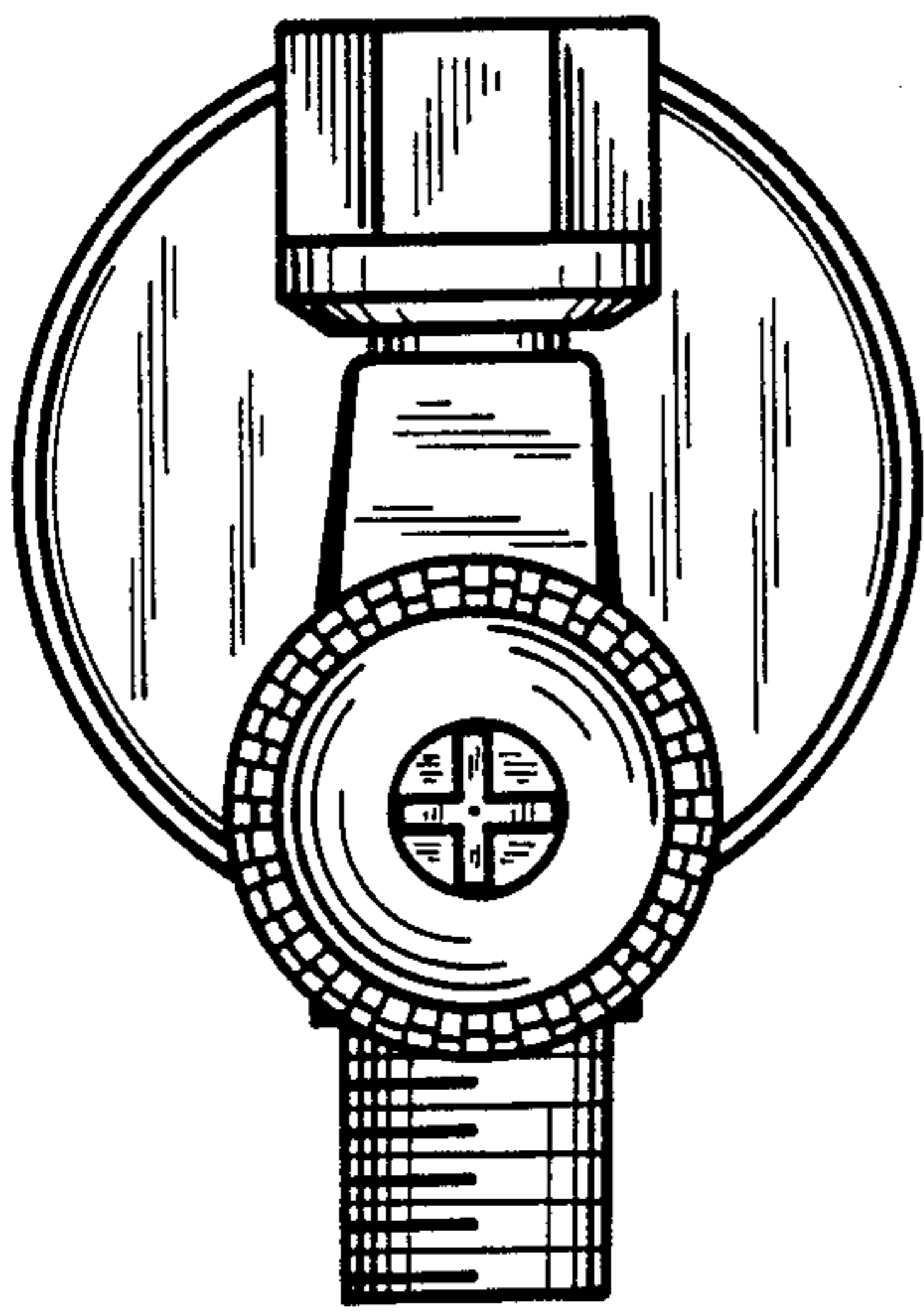


FIG. 6

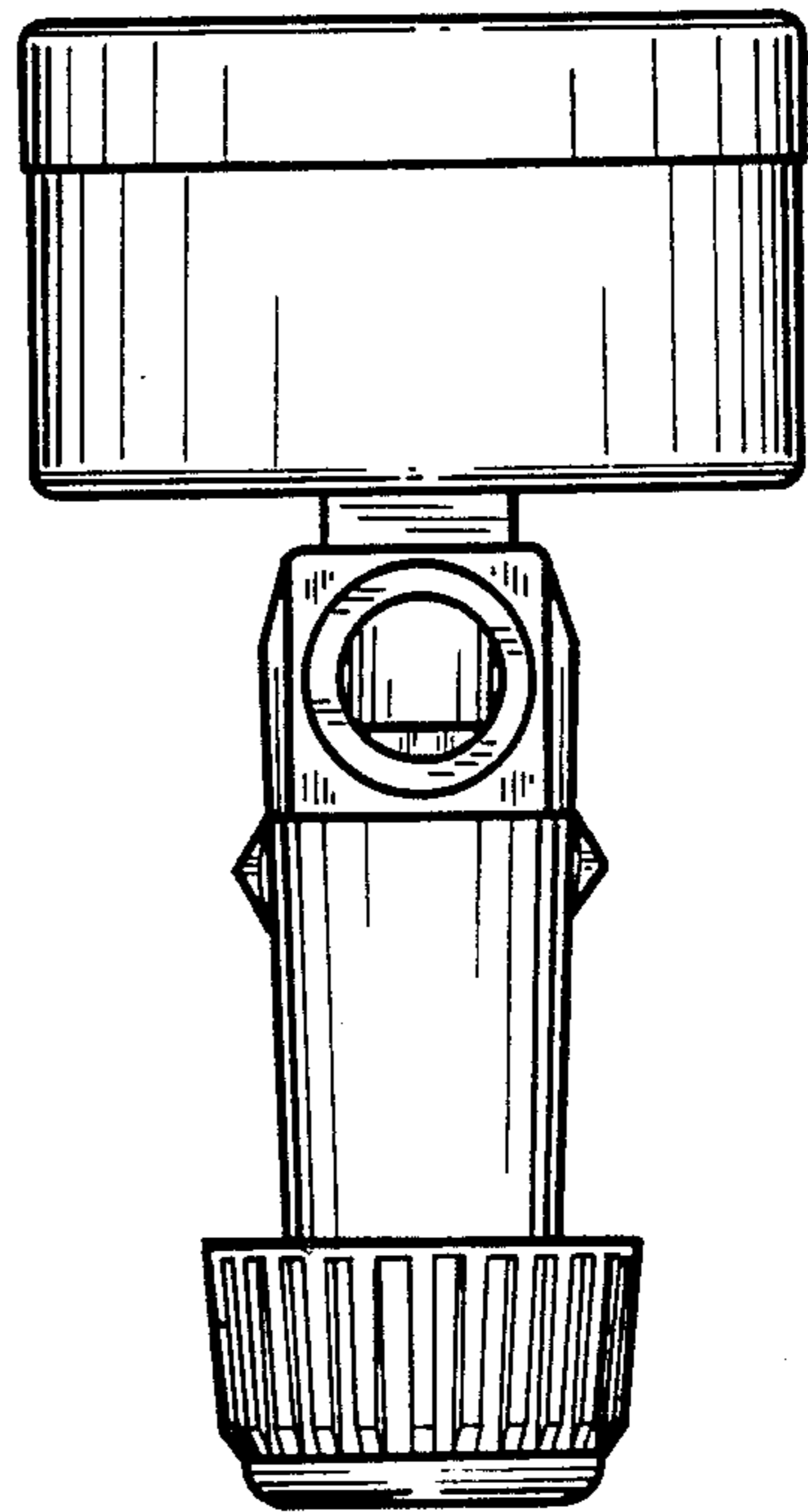


FIG. 5

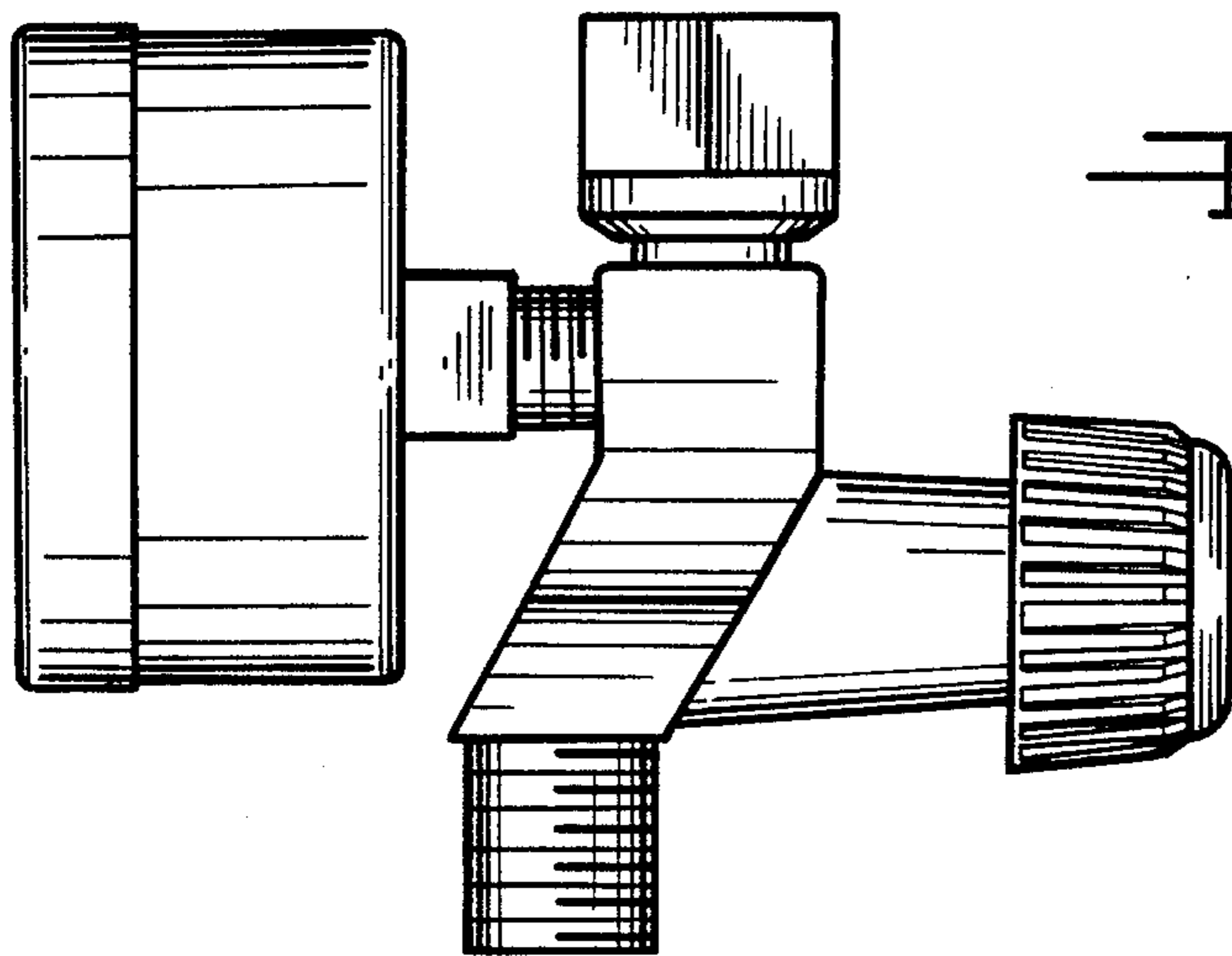


FIG. 7

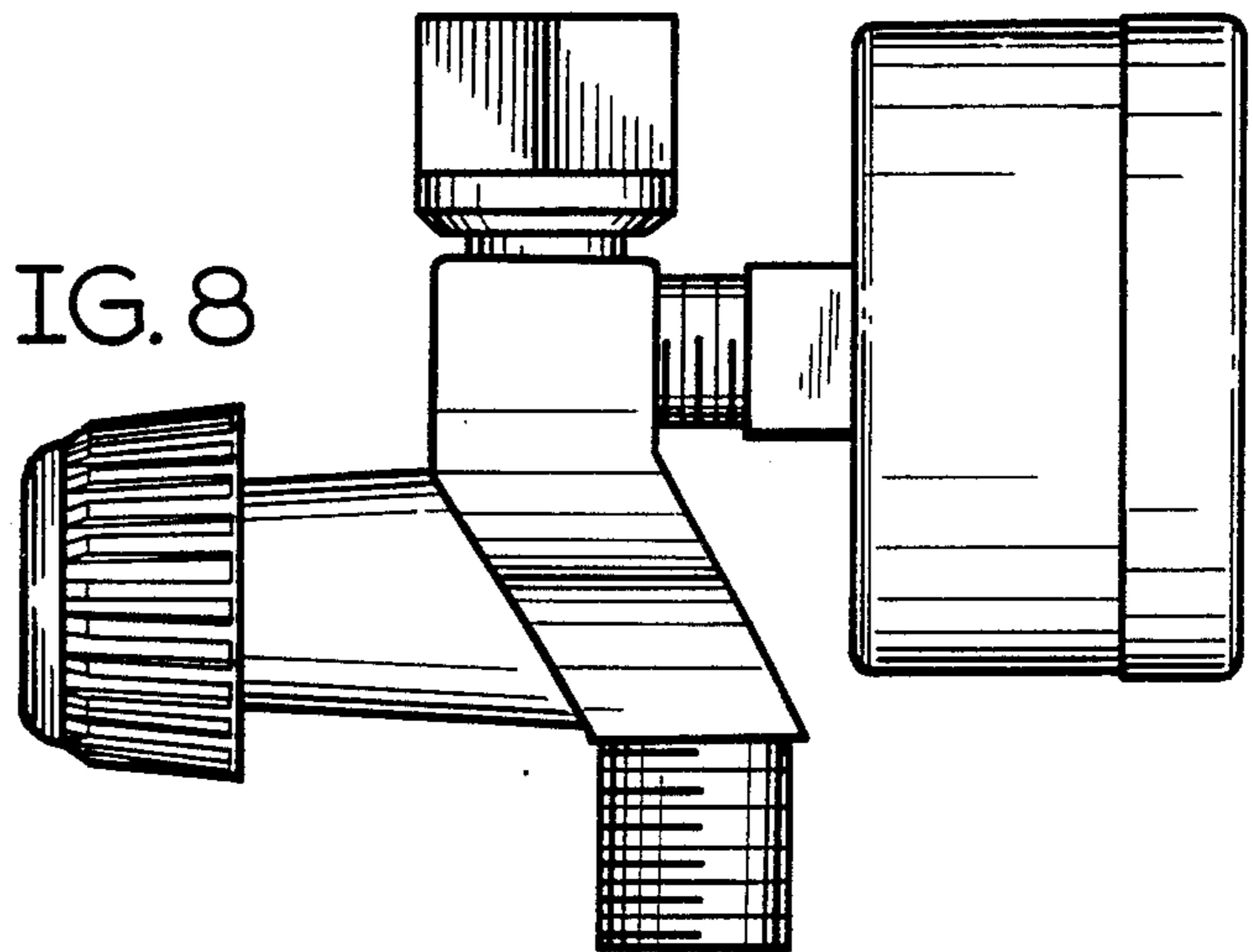


FIG. 8

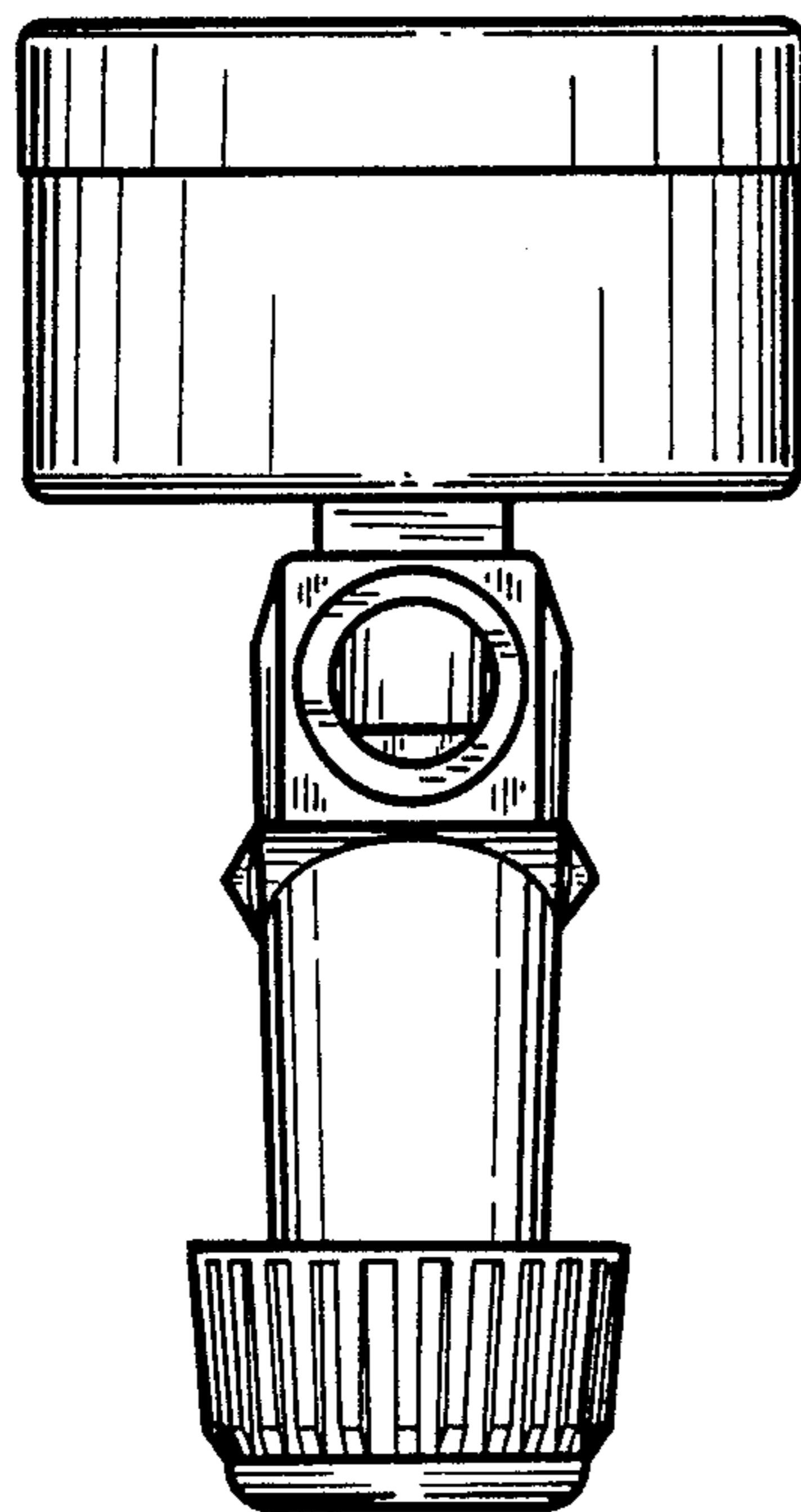


FIG. 9