

[54] **HAND SPRAYER**
[75] **Inventor: Patrick J. Ballu, Reims, France**
[73] **Assignee: TECNOMA, France**
[**] **Term: 14 Years**
[21] **Appl. No.: 218,079**
[22] **Filed: Jul. 13, 1988**

[30] **Foreign Application Priority Data**
Jan. 25, 1988 [FR] France 88 0423
Jan. 25, 1988 [FR] France 88 0424
[52] **U.S. Cl. D23/225**
[58] **Field of Search D23/213, 223, 225;**
239/332, 333, 373, 302, 172, 154, 149; 222/175,
475

[56] **References Cited**
U.S. PATENT DOCUMENTS
D. 286,906 11/1986 Gibbs D23/225

2,082,146 6/1937 Brandt 239/373 X
3,993,245 11/1976 Smith 239/373 X
4,192,464 3/1980 Chow D23/225 X

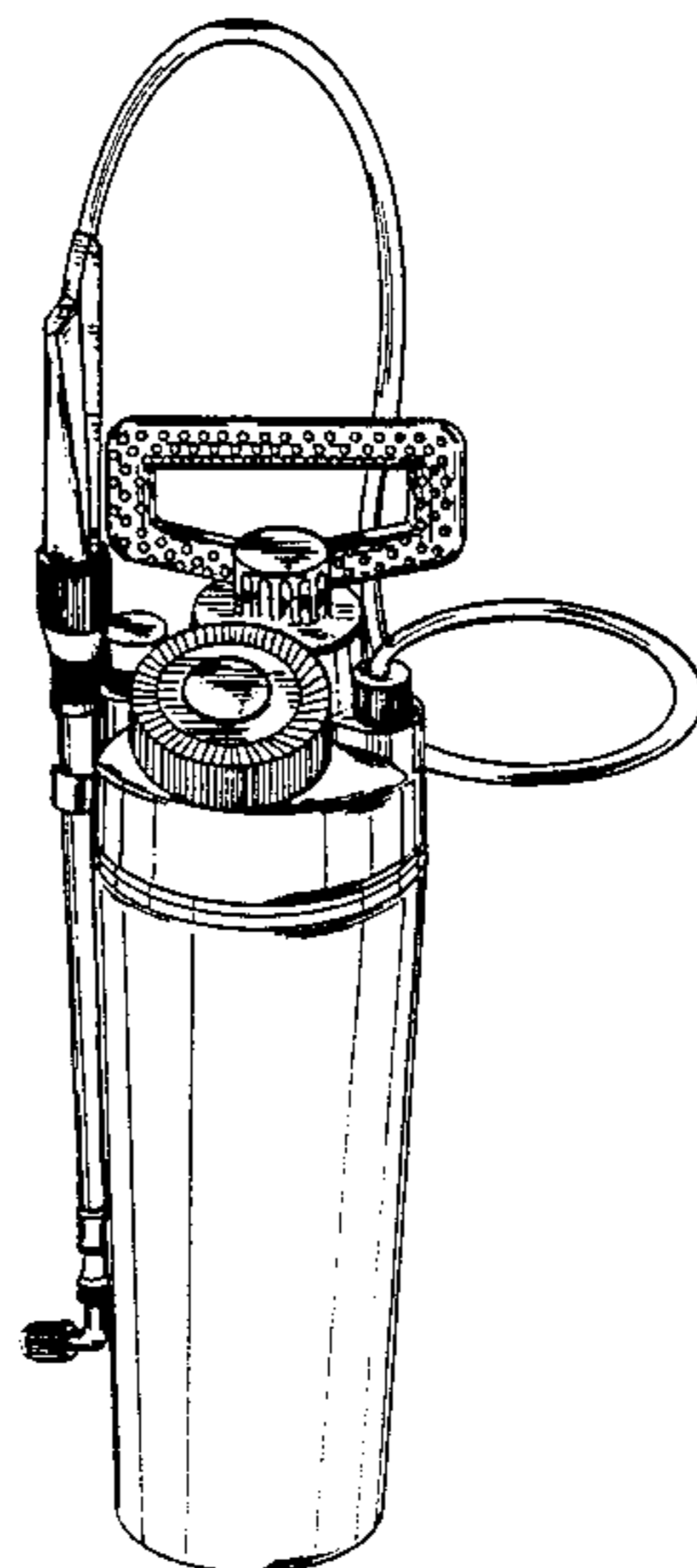
Primary Examiner—Susan J. Lucas
Assistant Examiner—M. H. Tung
Attorney, Agent, or Firm—Watson, Cole, Grindle & Watson

[57] **CLAIM**

The ornamental design for a hand sprayer, as shown and described.

DESCRIPTION

FIG. 1 is a right side perspective view of a hand sprayer showing my new design;
FIG. 2 is a left side perspective view thereof;
FIG. 3 is a rear perspective view thereof;
FIG. 4 is a front view thereof;
FIG. 5 is a bottom plan view thereof, with the cord omitted for ease of description,
FIG. 6 is a side elevational view thereof, and
FIG. 7 is a top plan view thereof.



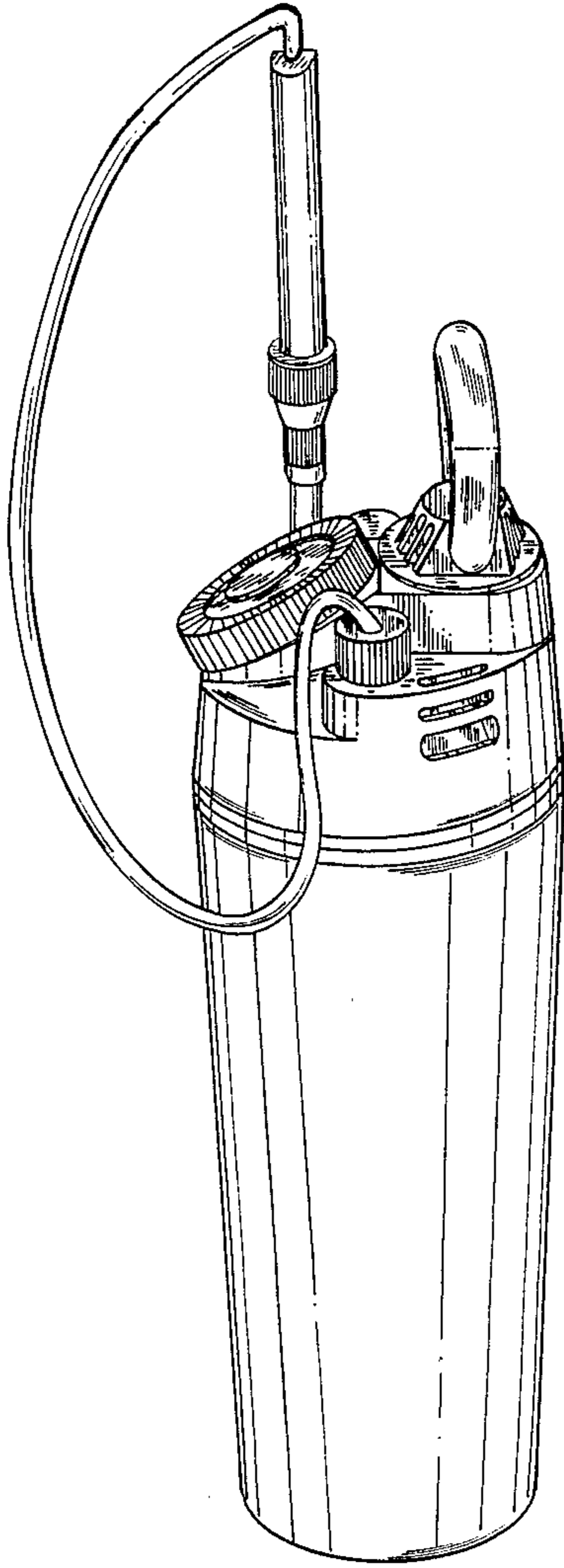
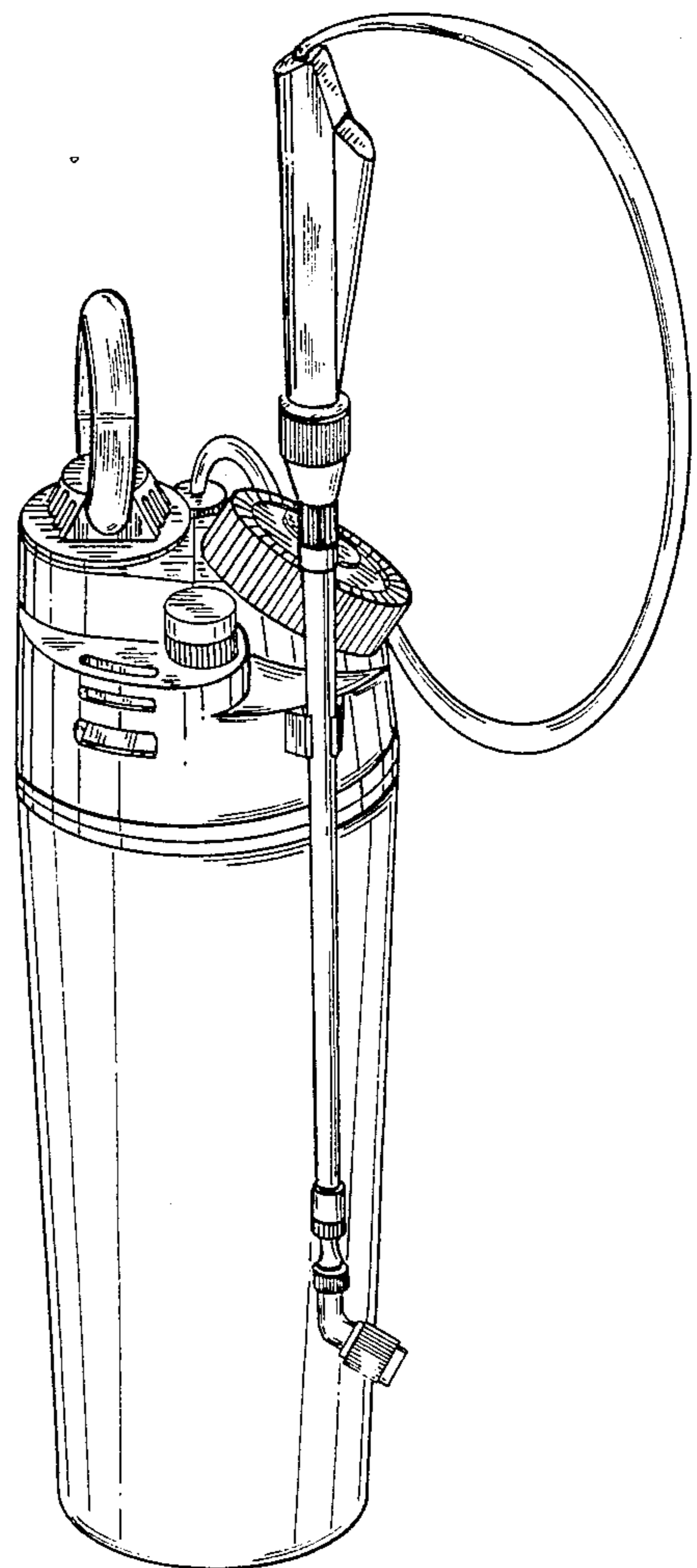


FIG. 1

FIG. 2



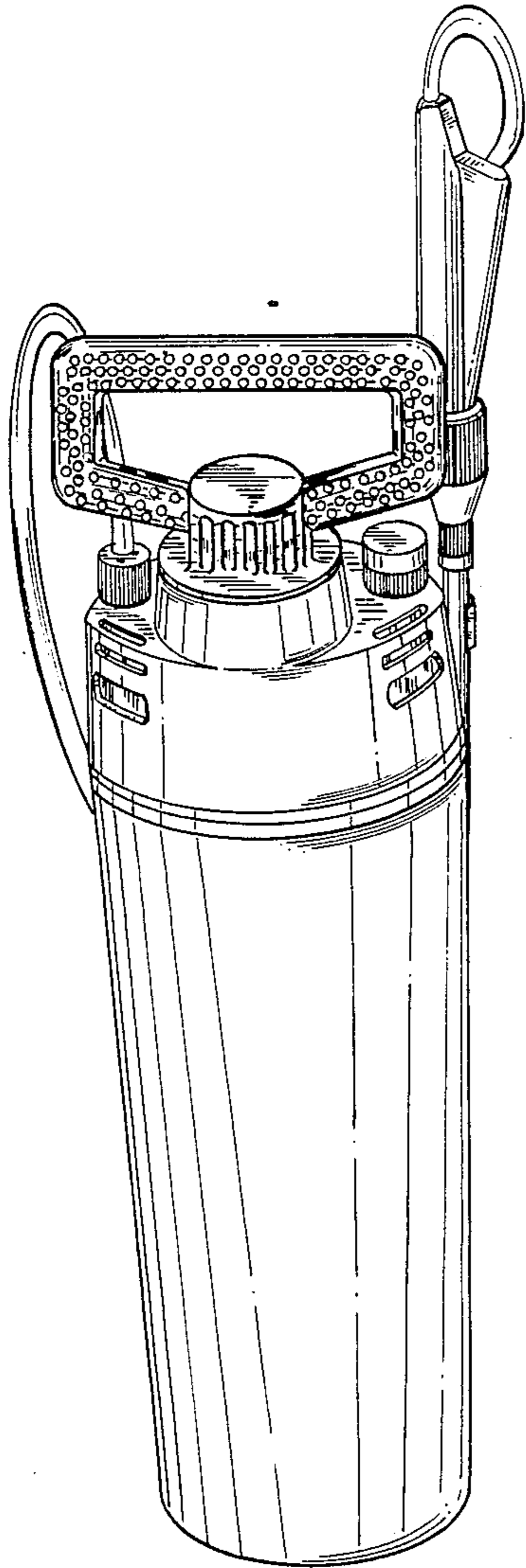


FIG. 3

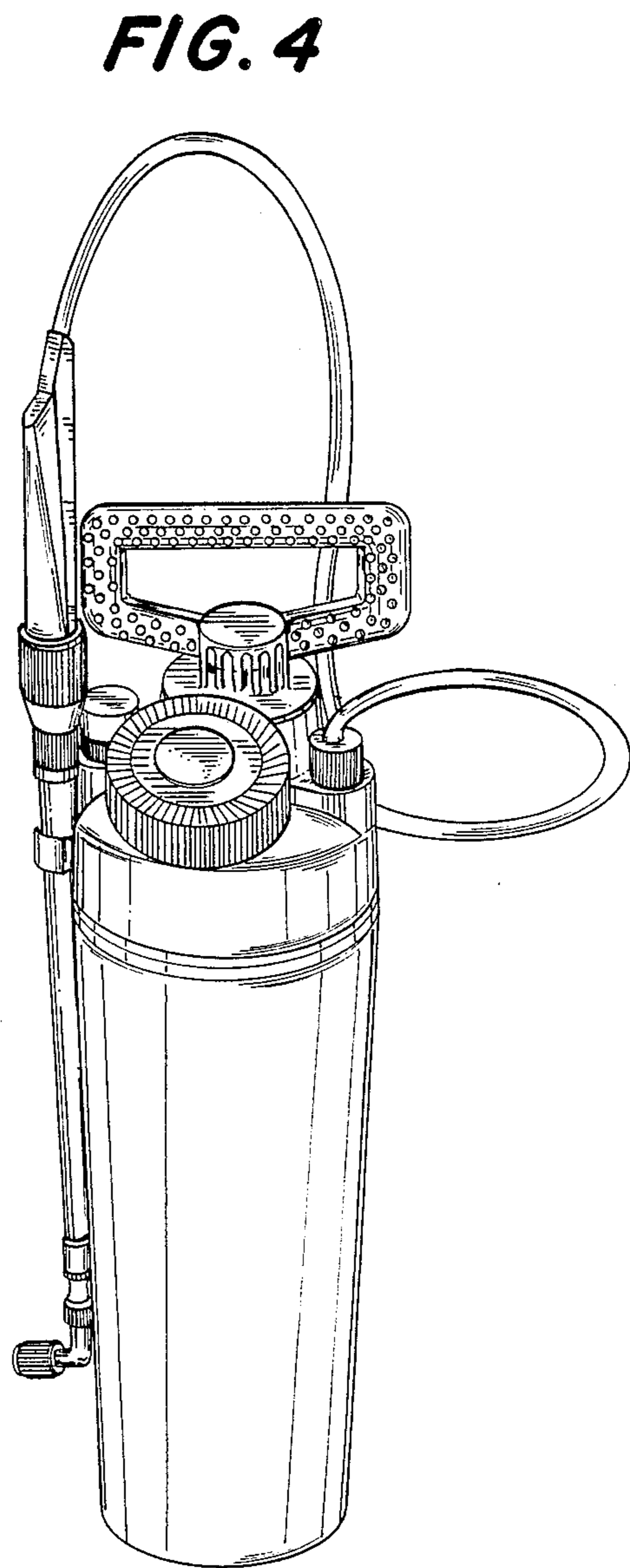


FIG. 4

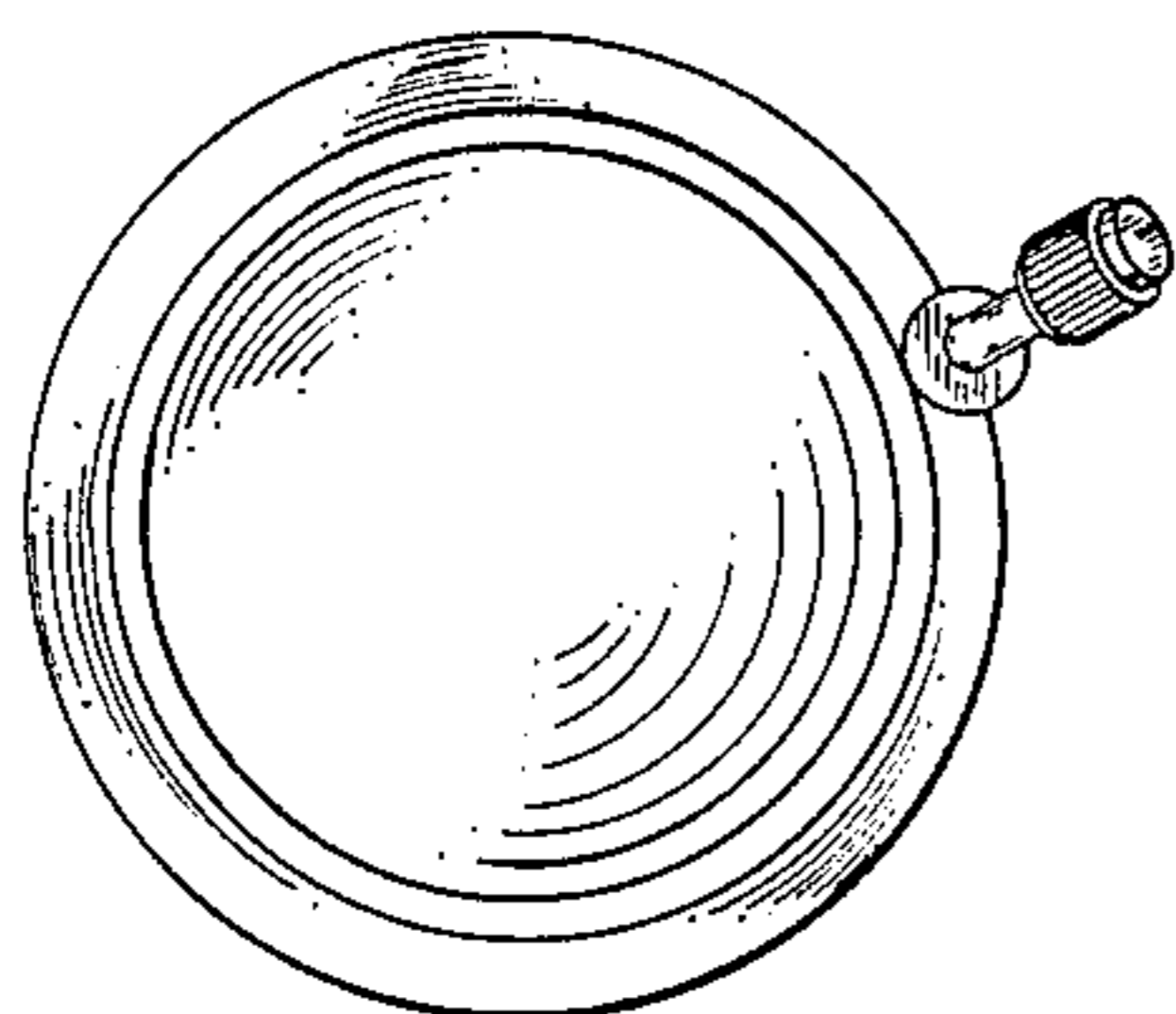


FIG. 5

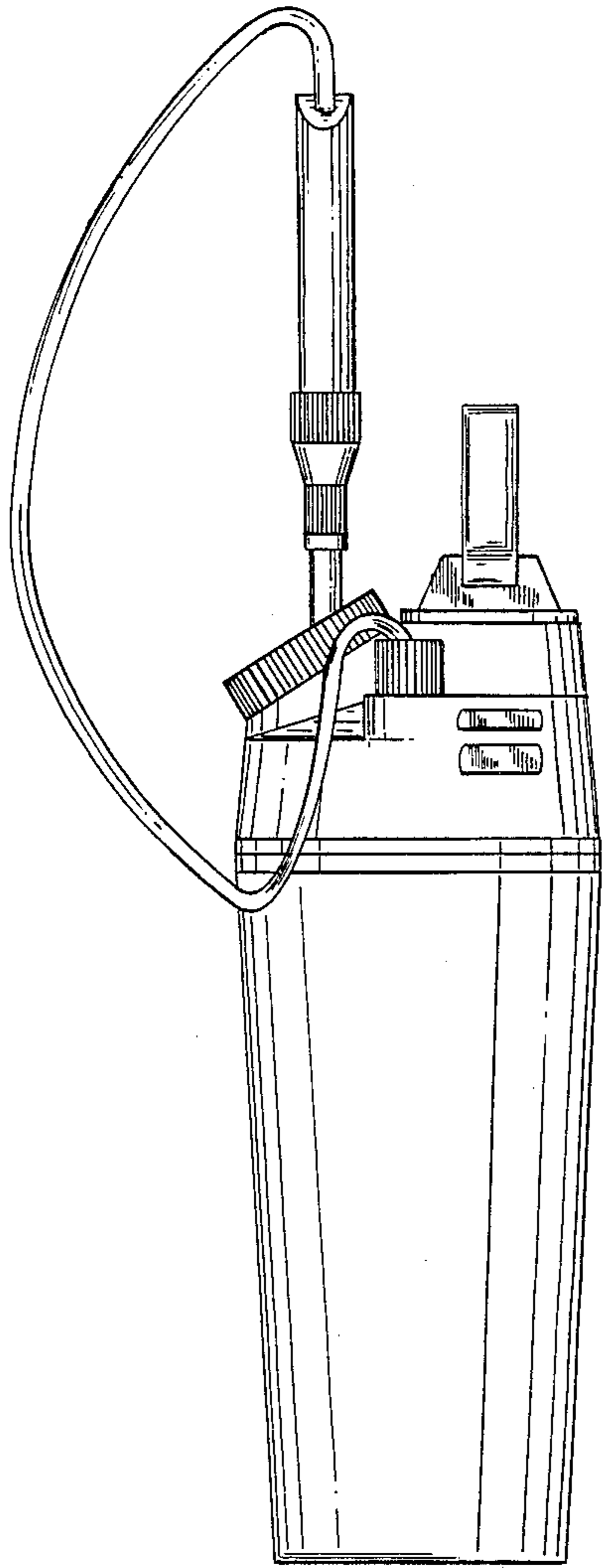


FIG. 6

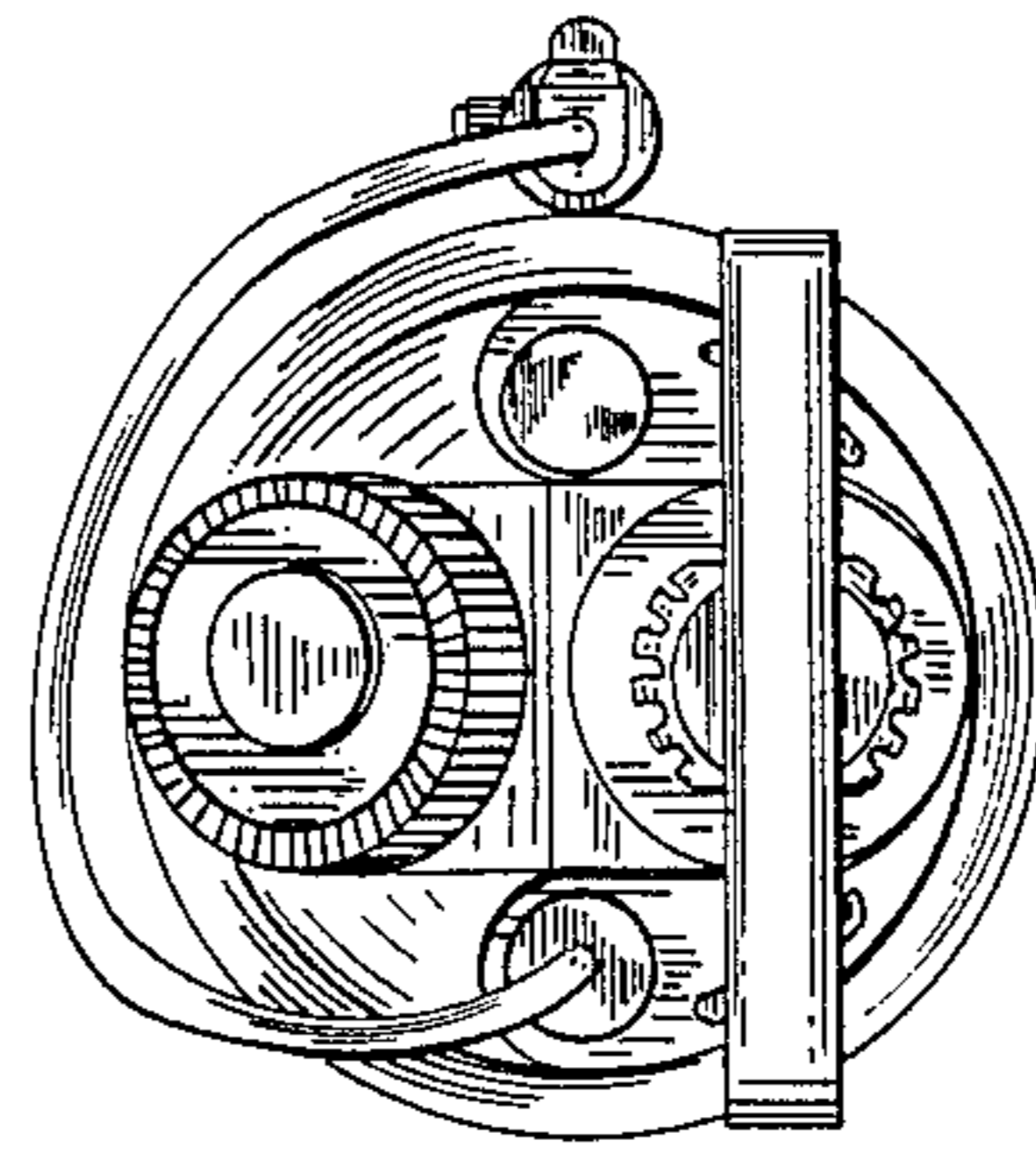


FIG. 7