

[54] **TOY HOUSE**

D. 280,774 9/1985 Rossi ..... D21/114

[75] **Inventor: David J. Ciganko, Buffalo, N.Y.**

[73] **Assignee: The Quaker Oats Company, Chicago, Ill.**

[\*\*] **Term: 14 Years**

[21] **Appl. No.: 256,297**

[22] **Filed: Oct. 11, 1988**

[52] **U.S. Cl. .... D21/114**

[58] **Field of Search ..... D21/59, 114-119;  
D99/41, 35; D25/25-27, 221; 446/8, 9, 10, 11,  
12, 13**

[56] **References Cited**

**U.S. PATENT DOCUMENTS**

D. 251,030 2/1979 Gordon ..... D21/114  
D. 252,111 6/1979 Friesen ..... D21/114  
D. 271,403 11/1983 Kimbrough et al. .... D21/114  
D. 277,202 1/1985 Appel et al. .... D21/114

**OTHER PUBLICATIONS**

Toys, 3-1980, p. 30, Toy House at left side of page.  
Playthings, 9-1978, p. 141, "Georgetown" Doll House.

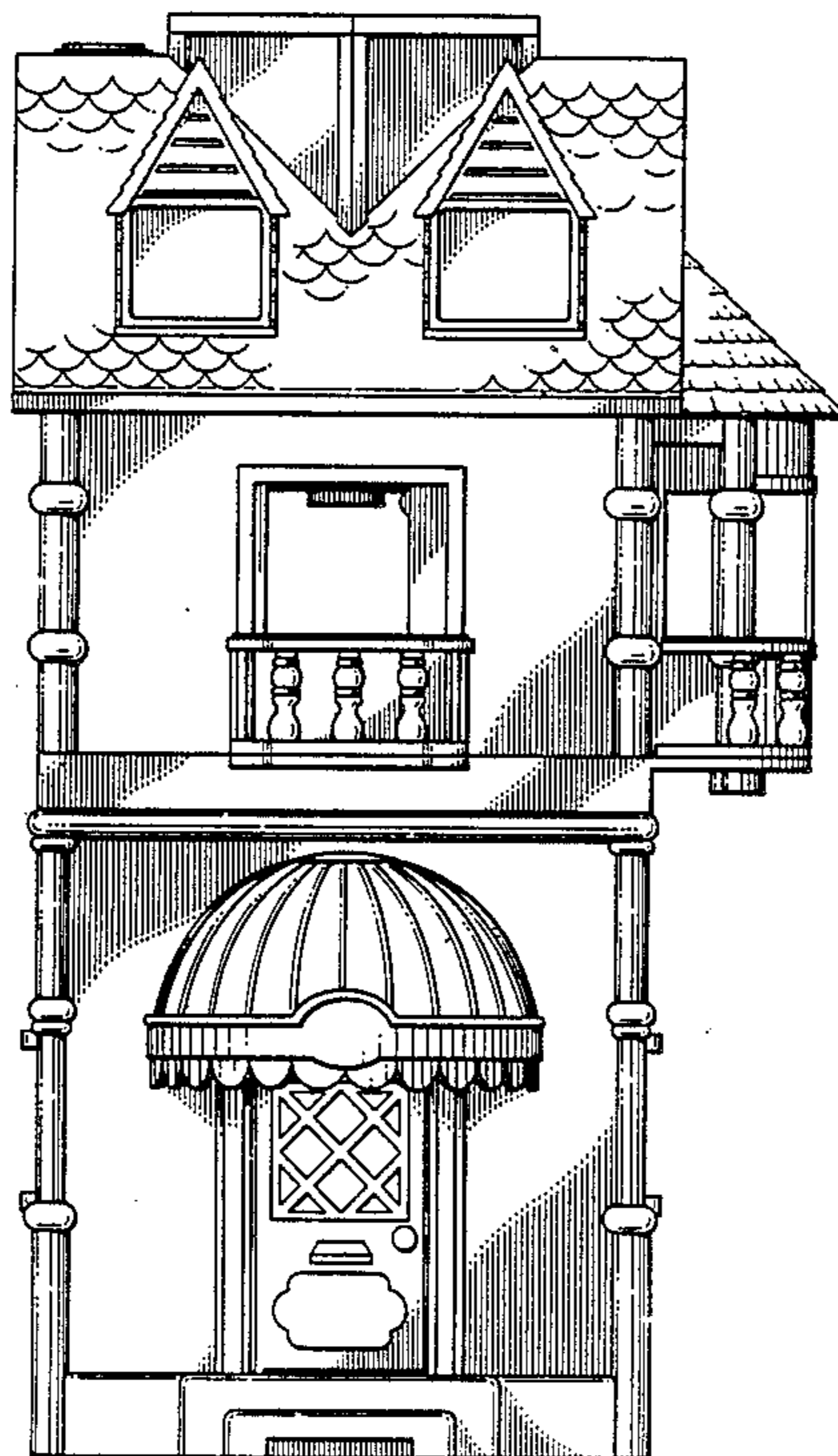
*Primary Examiner*—Charles A. Rademaker  
*Attorney, Agent, or Firm*—Cumpston & Shaw

[57] **CLAIM**

The ornamental design for a toy house, as shown and described.

**DESCRIPTION**

FIG. 1 is a front elevational view of a toy house showing my new design;  
FIG. 2 is a right side elevational view thereof;  
FIG. 3 is a left side elevational view thereof;  
FIG. 4 is a rear elevational view thereof;  
FIG. 5 is a rear elevational view with the rear wall in a lowered position thereof;  
FIG. 6 is a top plan view thereof; and  
FIG. 7 is a bottom plan view thereof.



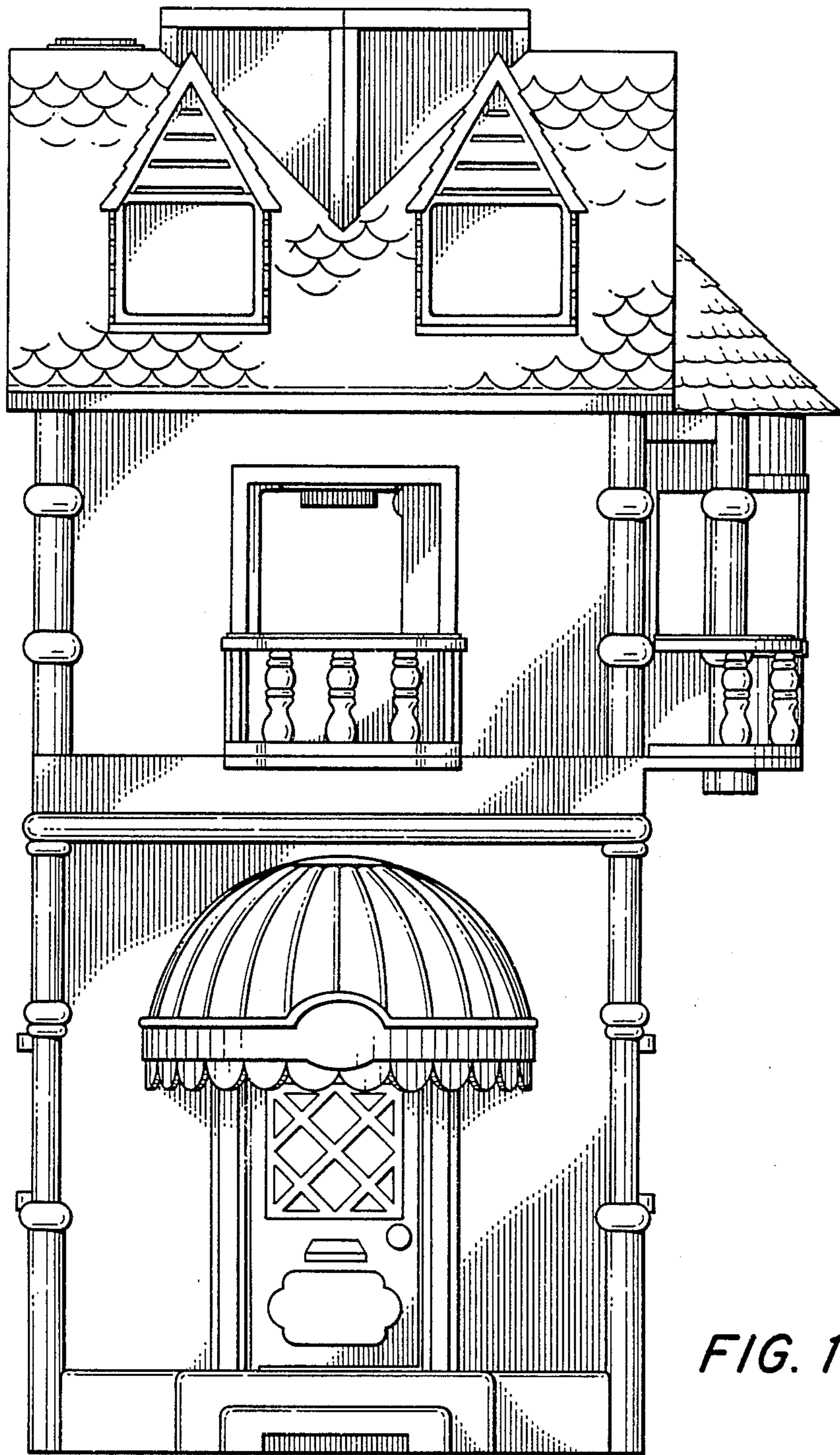


FIG. 1

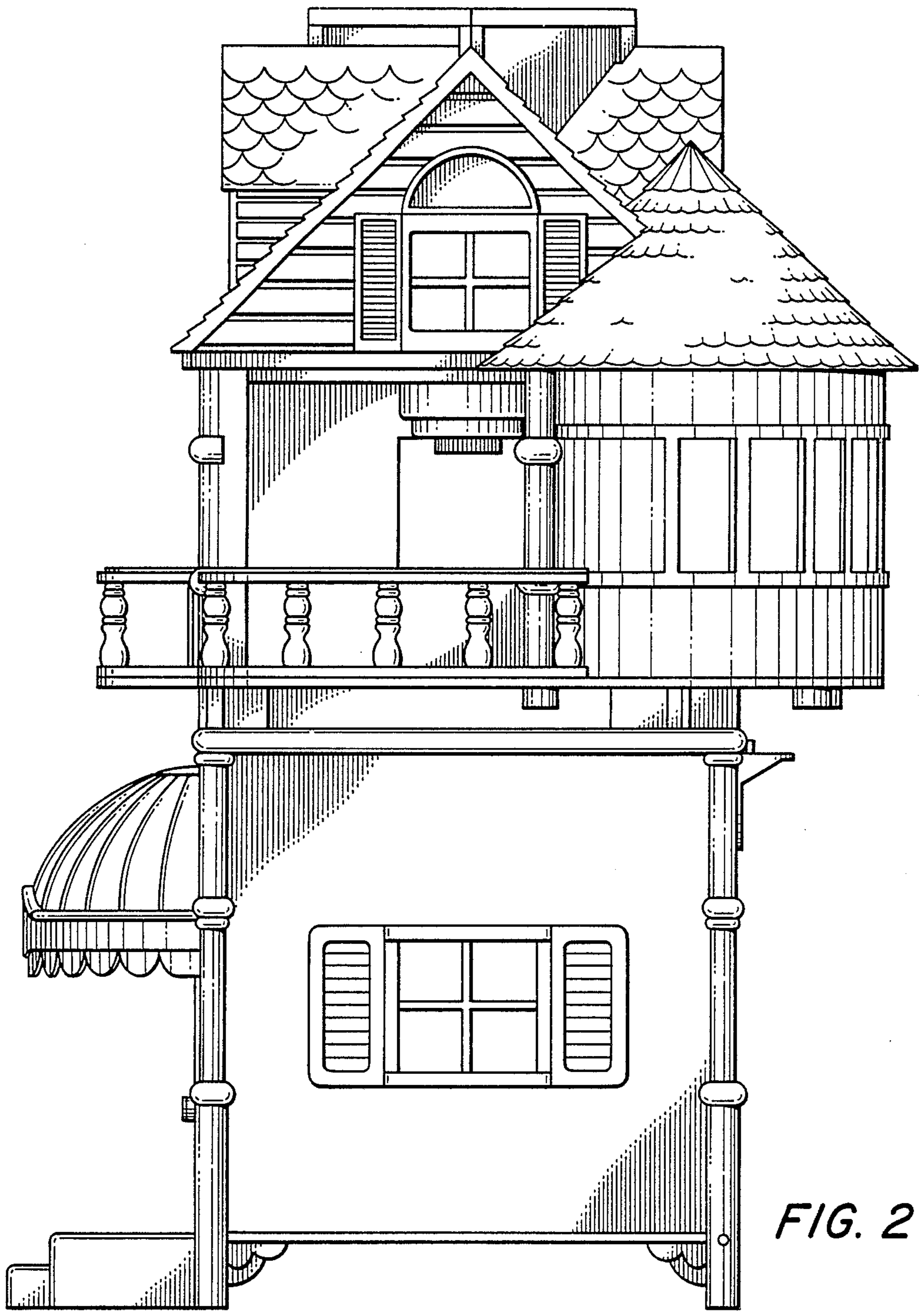


FIG. 2

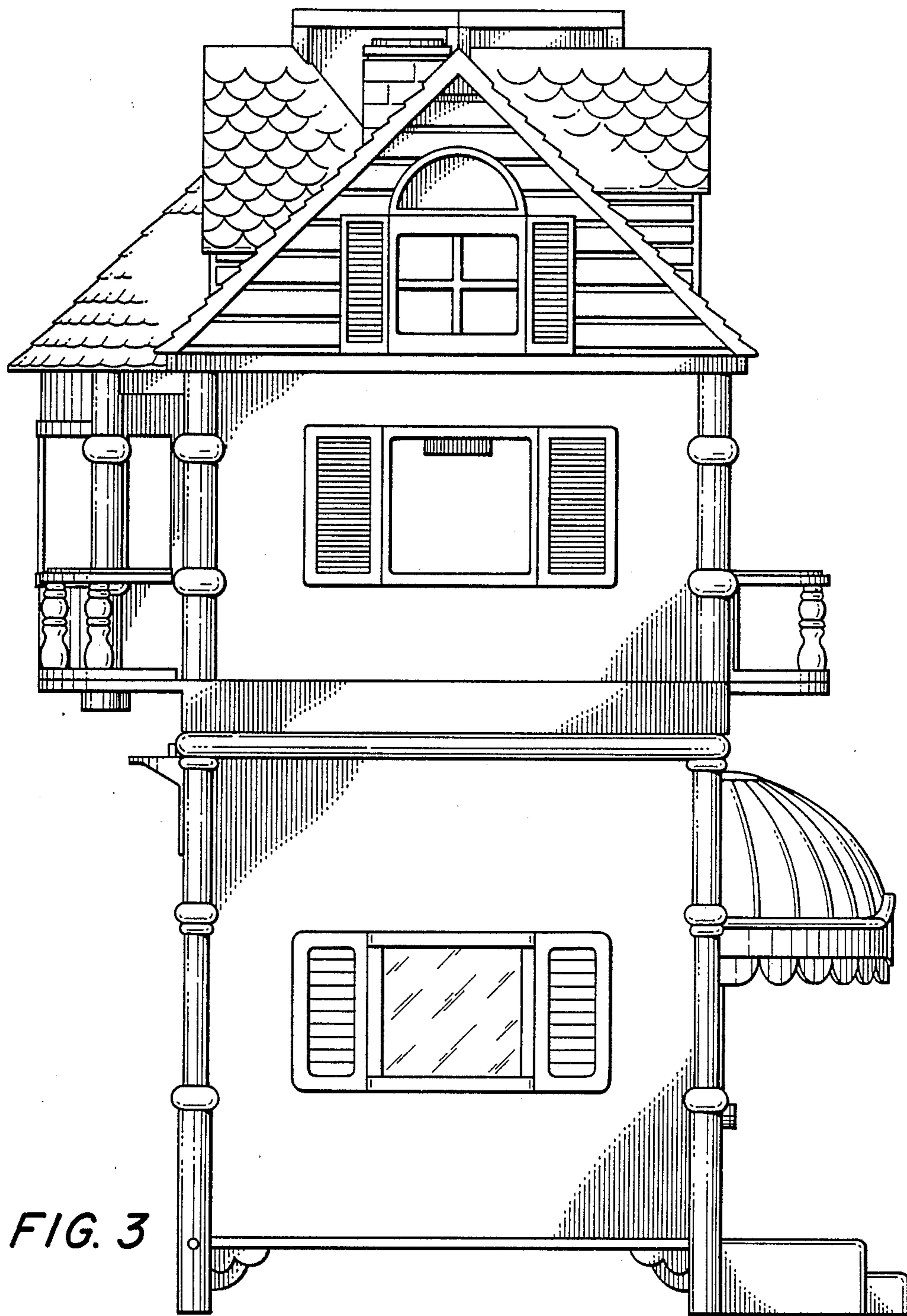


FIG. 3

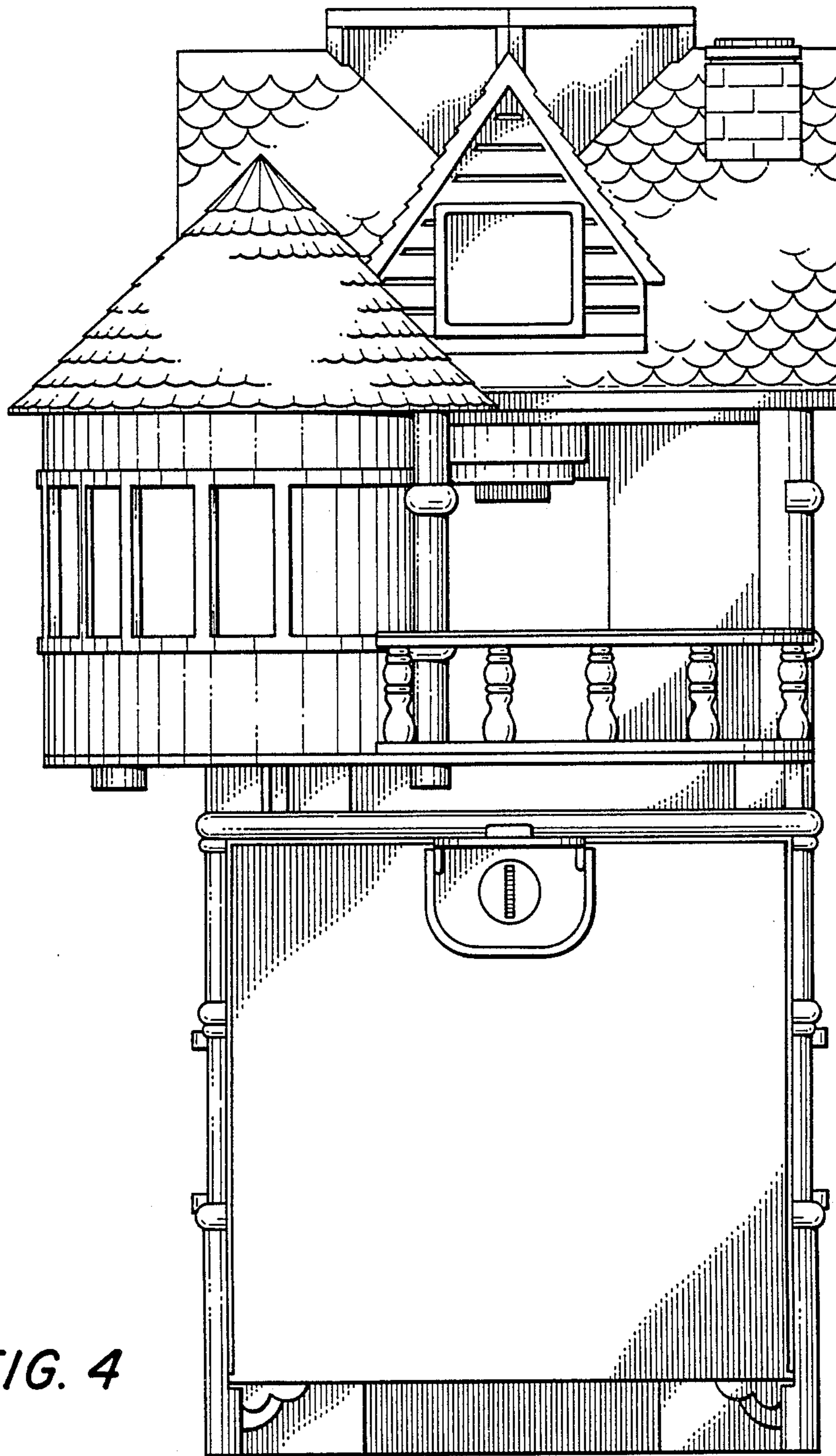


FIG. 4

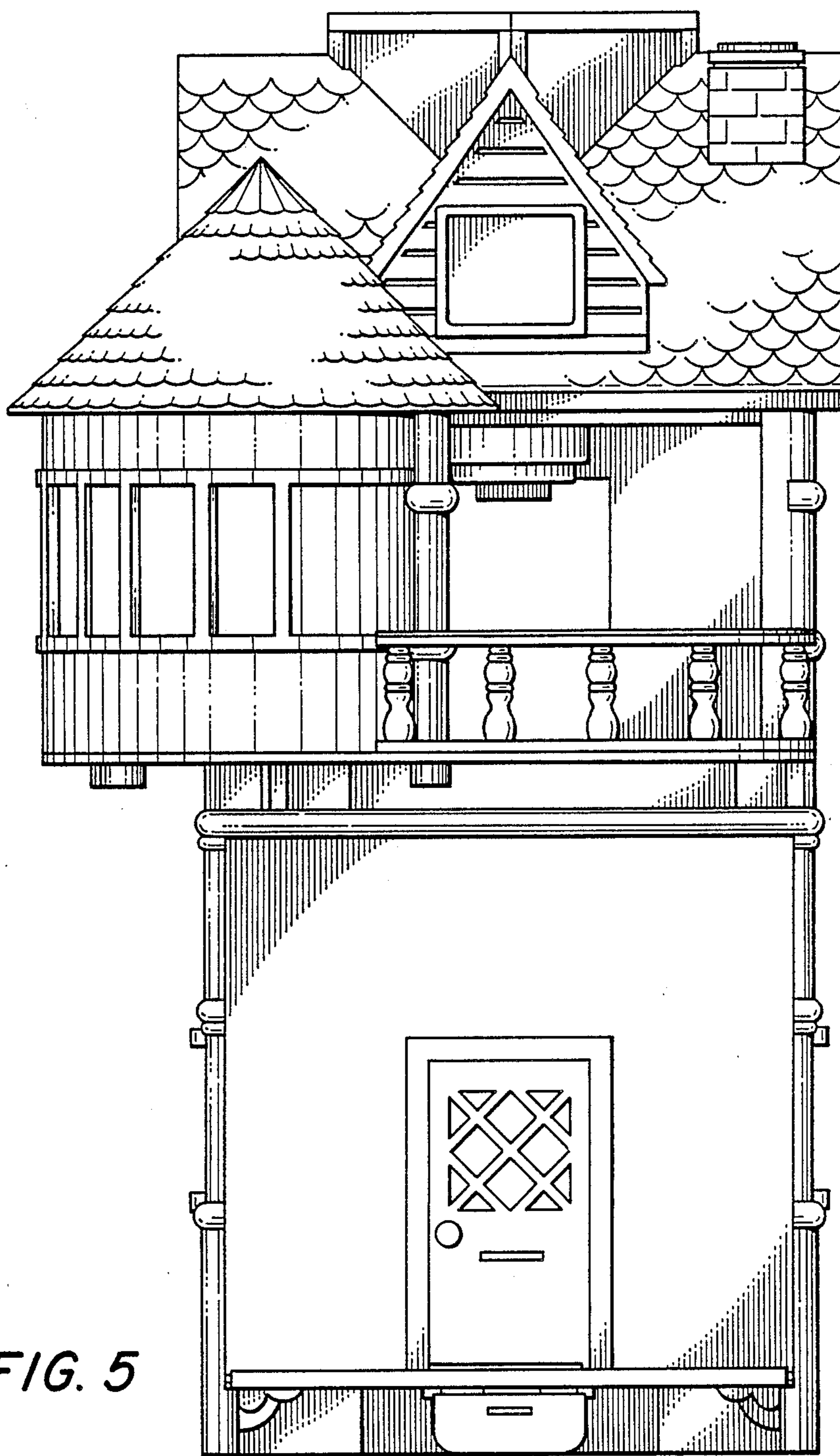


FIG. 5

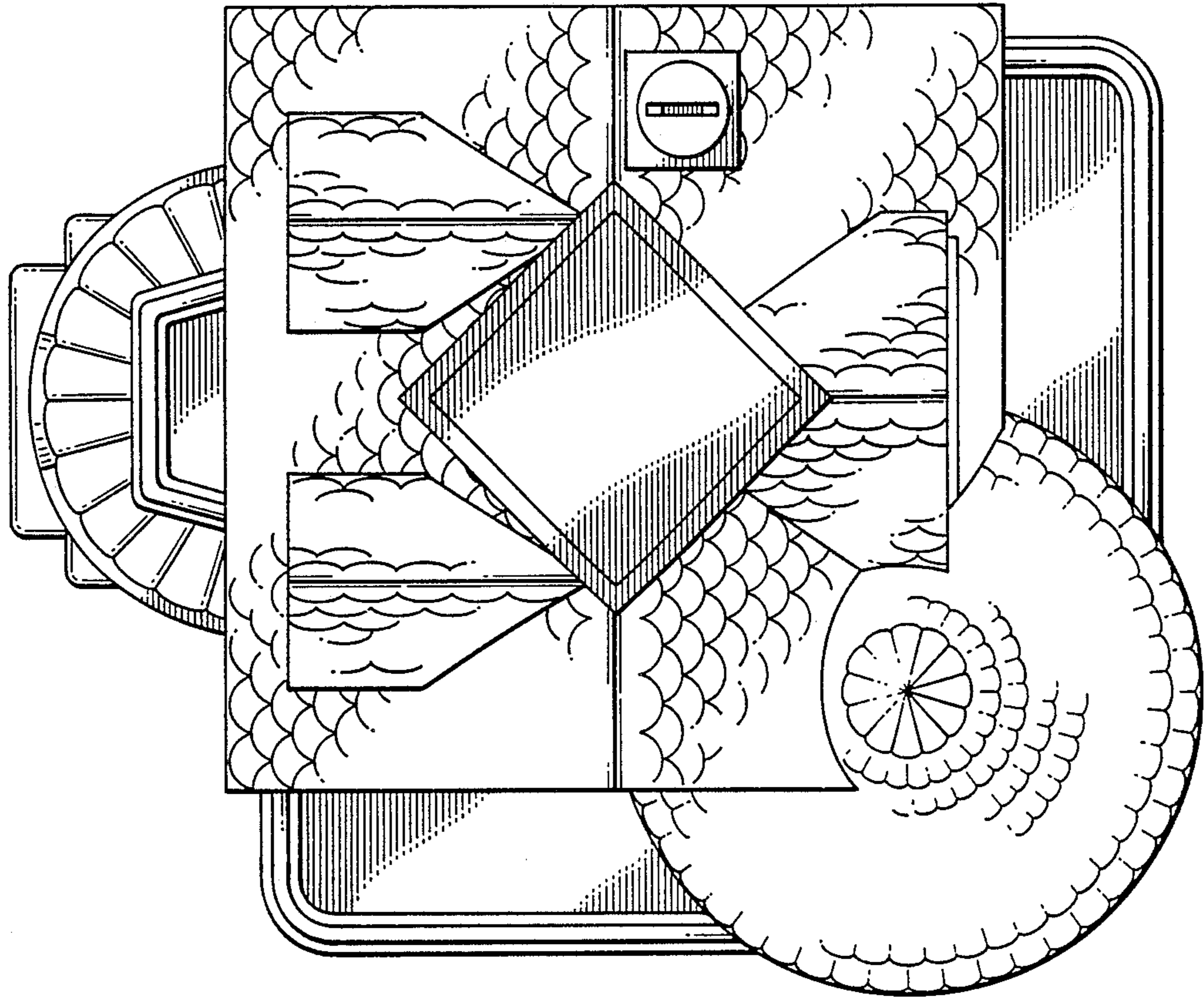


FIG. 6

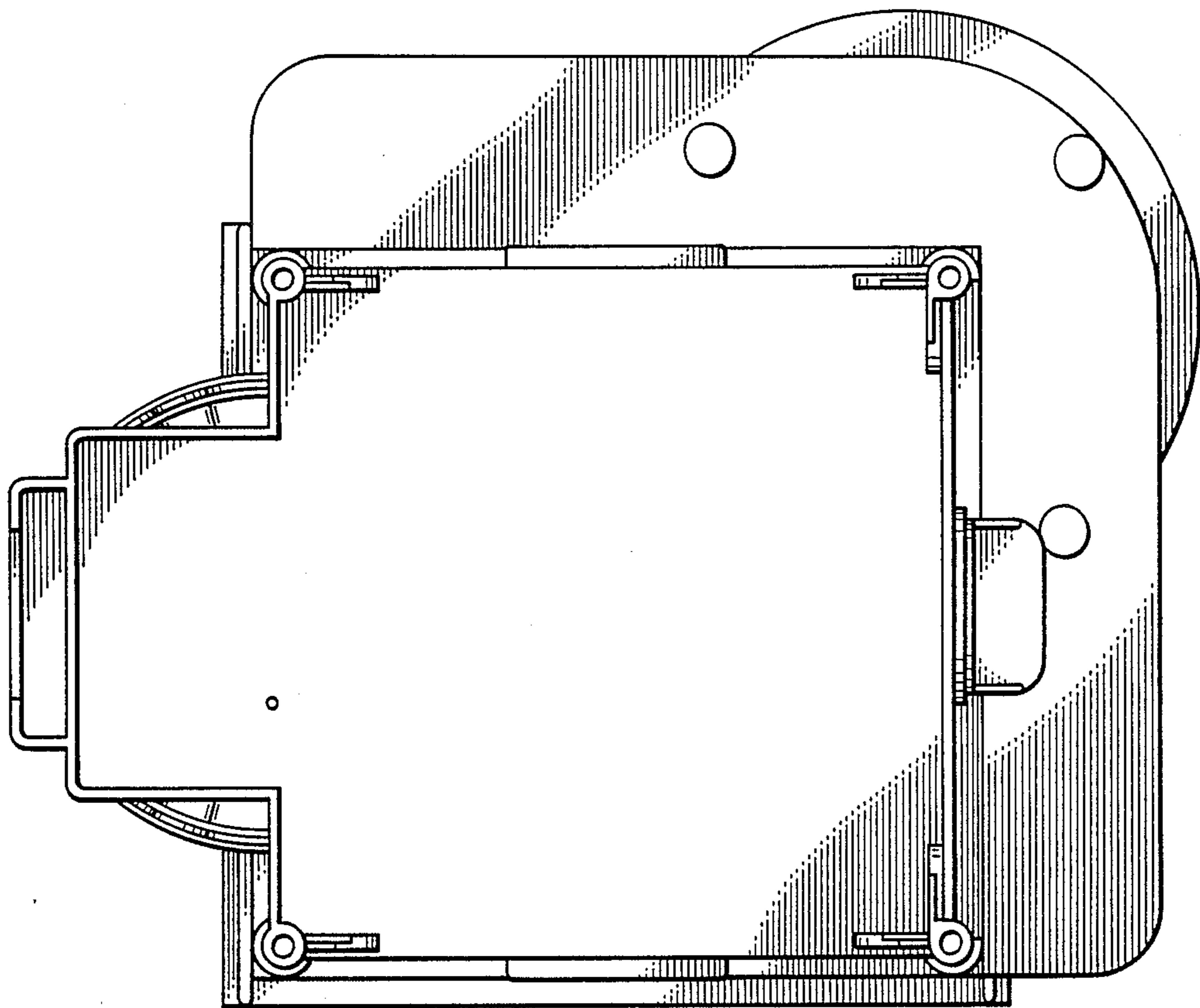


FIG. 7