

[54] TOY SAIL BOAT

[76] Inventor: Adam Stern, 178 Wilmot Rd., New Rochelle, N.Y. 10804

[**] Term: 14 Years

[21] Appl. No.: 120,505

[22] Filed: Nov. 13, 1987

[52] U.S. Cl. D21/130

[58] Field of Search D21/130; 446/153, 160, 446/163, 164, 165

D. 165,503 12/1951 Barsotti D21/130
D. 168,336 12/1952 Crawford et al. D21/130

Primary Examiner—Charles A. Rademaker
Assistant Examiner—David Jeo
Attorney, Agent, or Firm—Martin Parkinson

[57] CLAIM

The ornamental design for a toy sail boat, as shown.

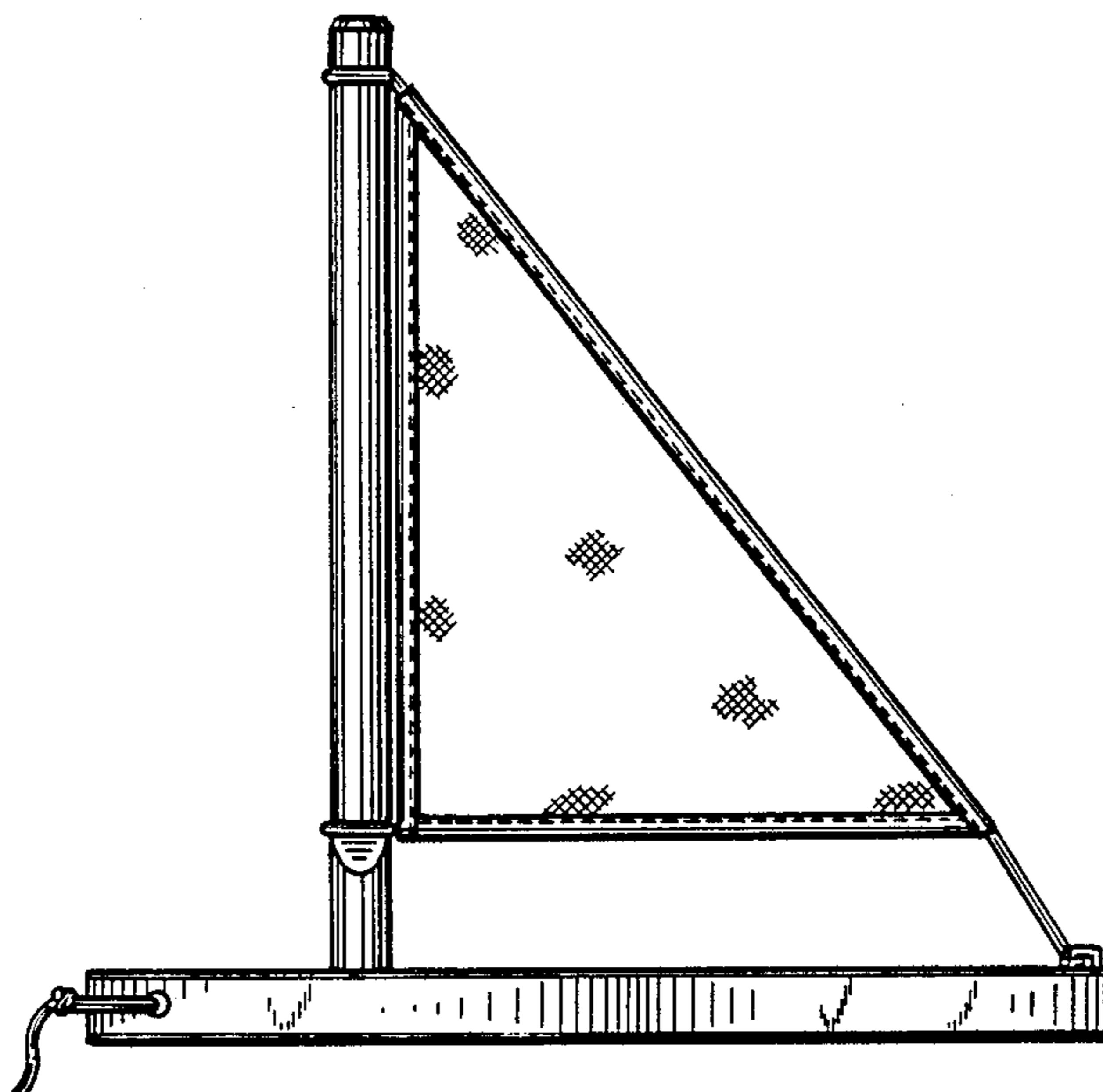
DESCRIPTION

FIG. 1 is a front elevational view of a toy sail boat showing my new design;
FIG. 2 is a rear elevational view thereof;
FIG. 3 is a right side elevational view thereof;
FIG. 4 is a top plan view thereof;
FIG. 5 is a left side elevational view thereof; and
FIG. 6 is a bottom plan view thereof.

[56] References Cited

U.S. PATENT DOCUMENTS

D. 120,675 5/1940 Mooney D21/130
D. 141,632 6/1945 Cox D21/130
D. 141,701 6/1945 Rietzke D21/130



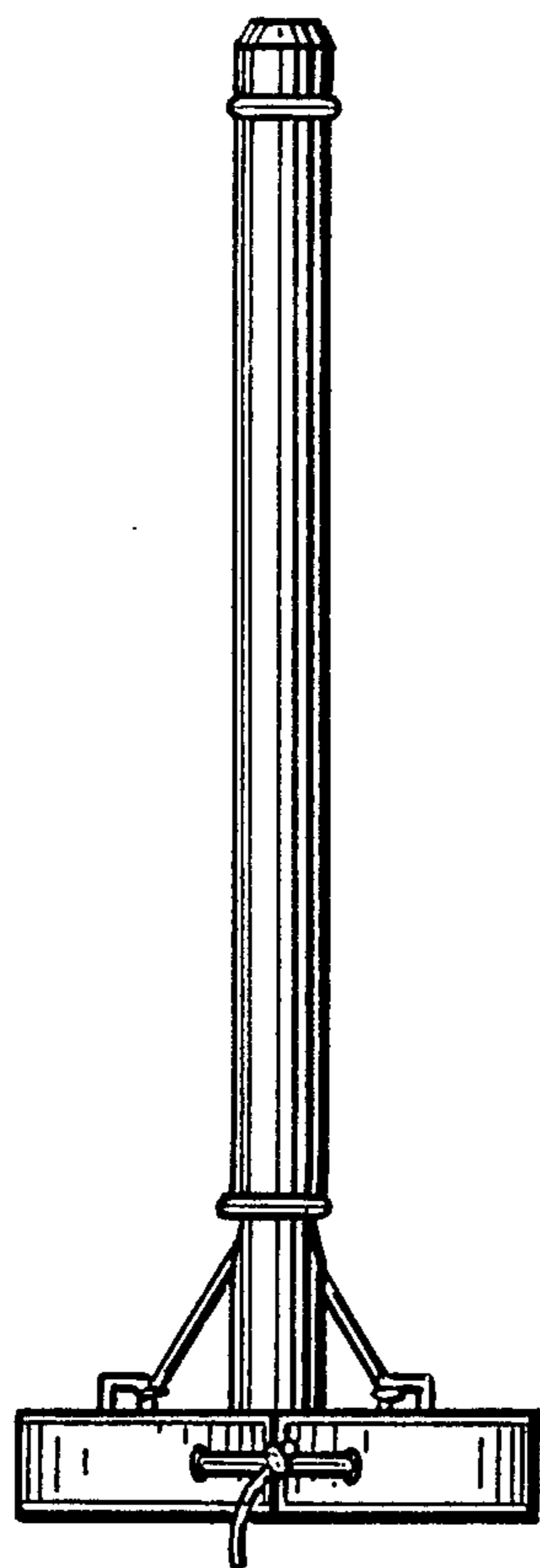


FIG. 1

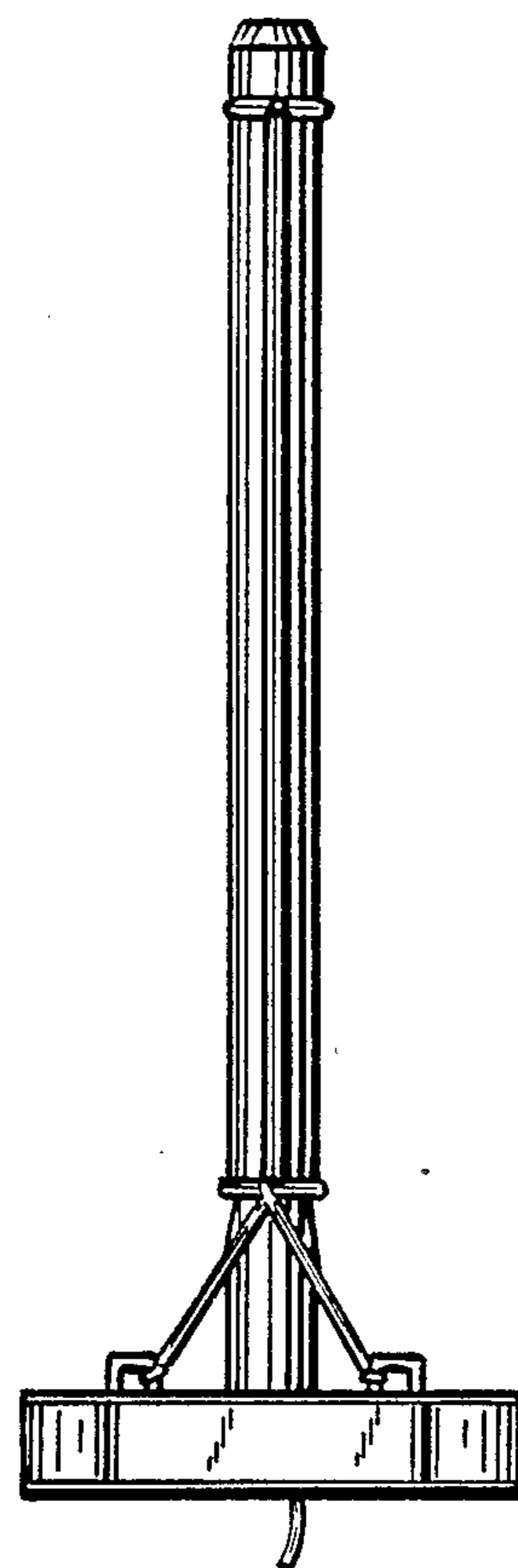


FIG. 2

FIG.3

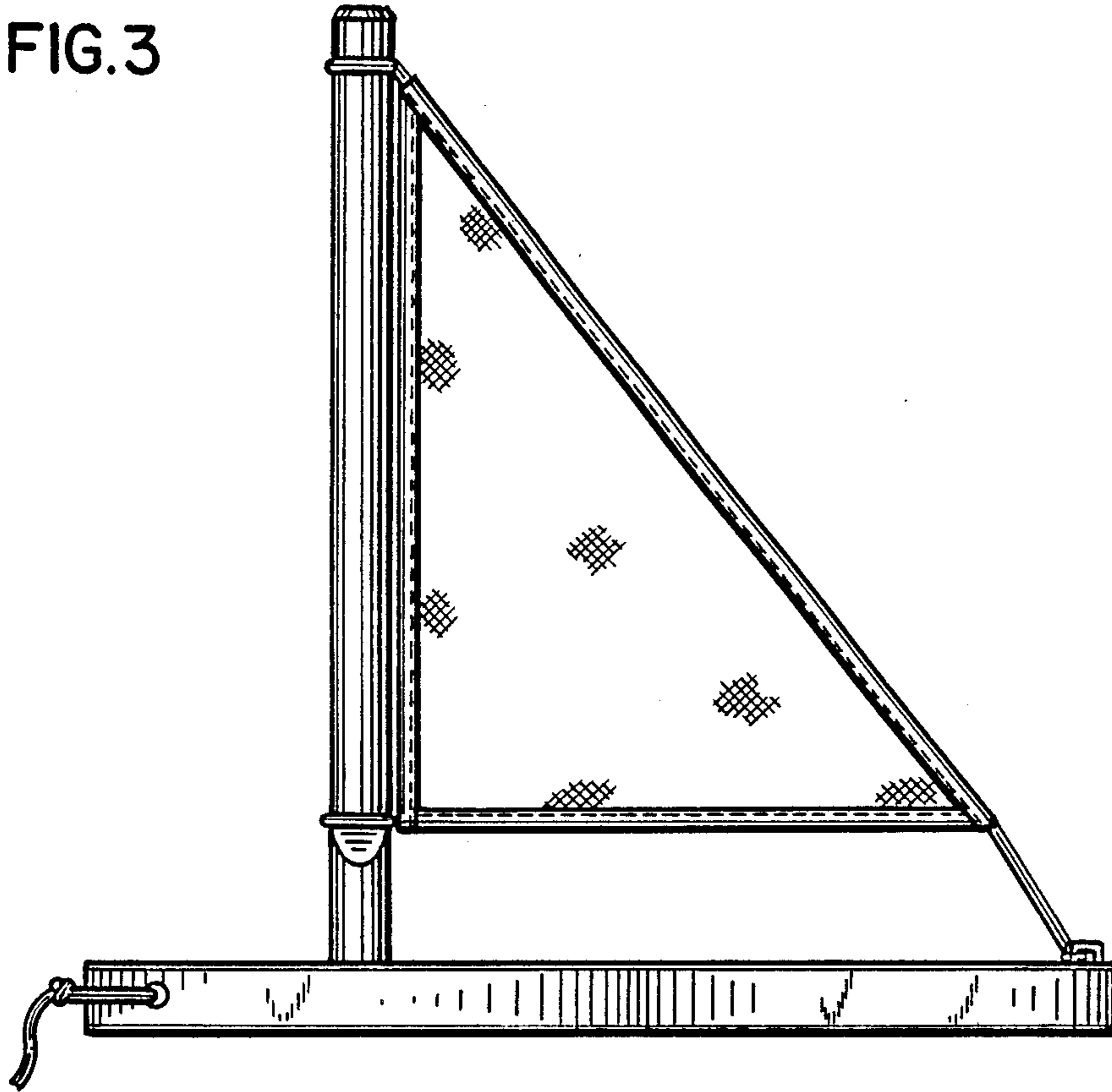


FIG.4

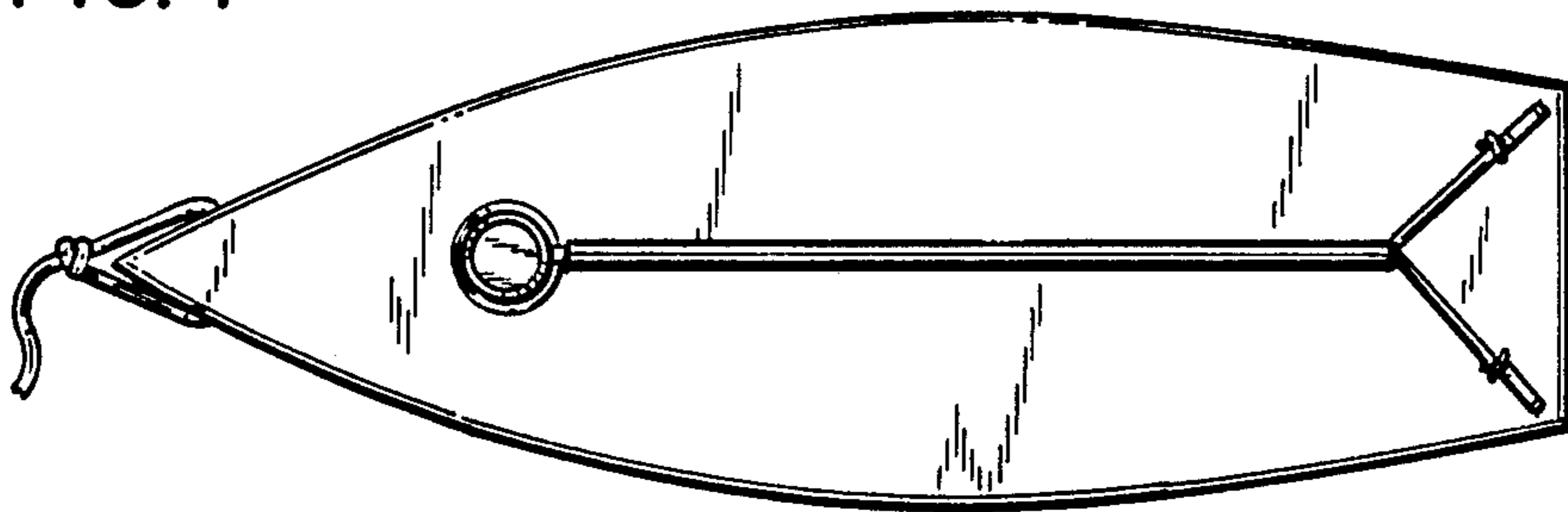


FIG.5

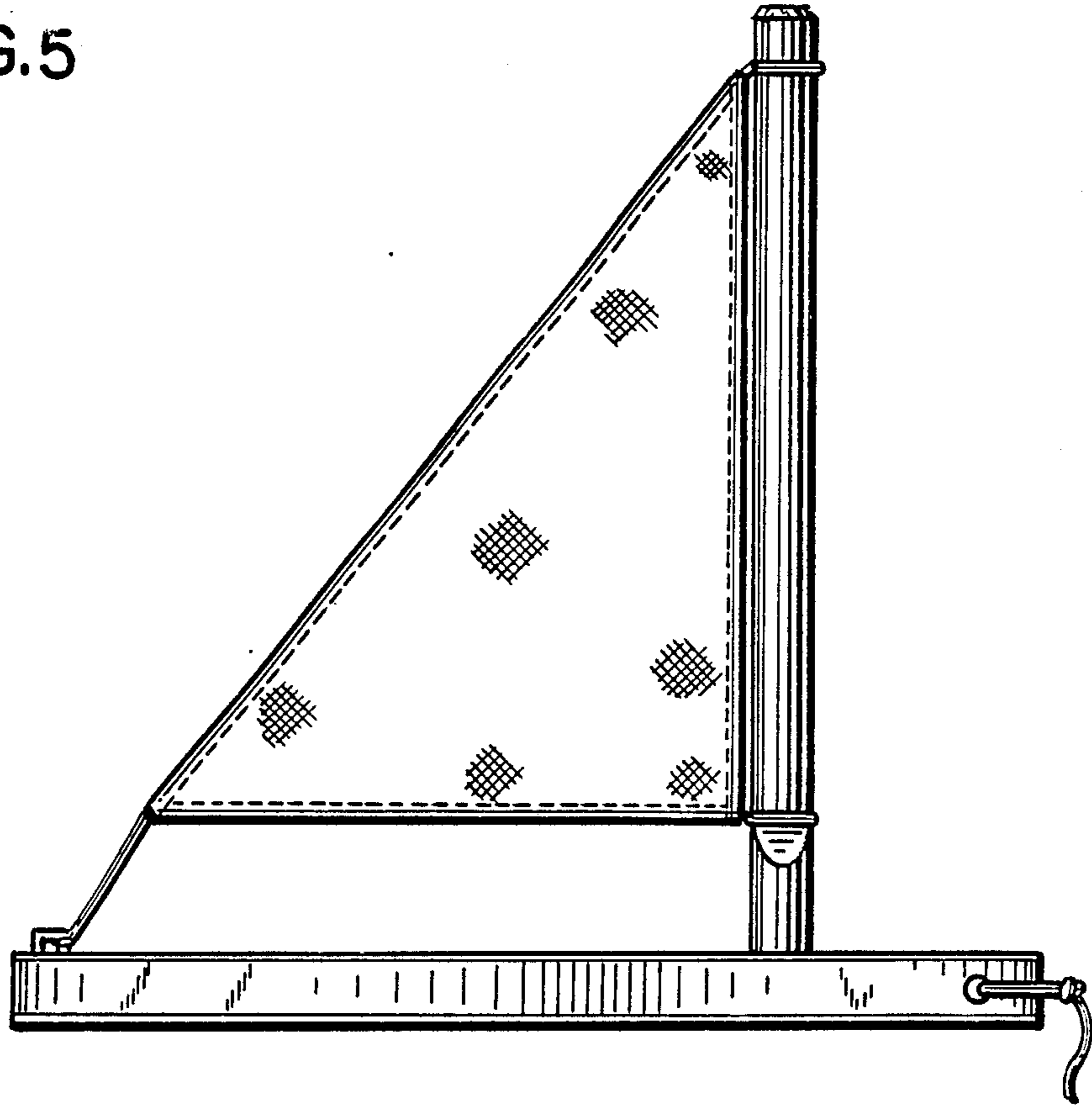


FIG.6

