

United States Patent [19]

Thomson et al.

[11] Patent Number: **Des. 311,557**

[45] Date of Patent: **** Oct. 23, 1990**

[54] **TOY BOAT AND FIGURE**

[75] Inventors: **Harry S. Thomson, Richmond; David Raffo, Hitchin, both of England**

[73] Assignee: **Monami Products Limited, Surrey, England**

[**] Term: **14 Years**

[21] Appl. No.: **154,121**

[22] Filed: **Feb. 9, 1988**

[30] **Foreign Application Priority Data**

Aug. 13, 1987 [GB] United Kingdom 1044181

[52] U.S. Cl. **D21/130**

[58] Field of Search D21/130; 446/153, 160, 446/163, 164, 165

[56] **References Cited**

U.S. PATENT DOCUMENTS

D. 198,945 8/1964 Plummer D21/130

D. 211,036 6/1968 Thornell D21/130
D. 247,384 2/1978 Nakao D21/130
D. 251,489 4/1979 Mantas D21/130

Primary Examiner—Charles A. Rademaker
Assistant Examiner—David Jeo
Attorney, Agent, or Firm—Armstrong, Nikaido, Marmelstein, Kubovcik & Murray

[57] **CLAIM**

The ornamental design for toy boat and figure, as shown and described.

DESCRIPTION

FIG. 1 is a perspective view of a toy boat and figure showing our new design;

FIG. 2 is a front elevational view thereof;

FIG. 3 is a rear elevational view thereof;

FIG. 4 is a right side elevational view thereof;

FIG. 5 is a left side elevational view thereof;

FIG. 6 is a top plan view thereof; and

FIG. 7 is a bottom plan view thereof.

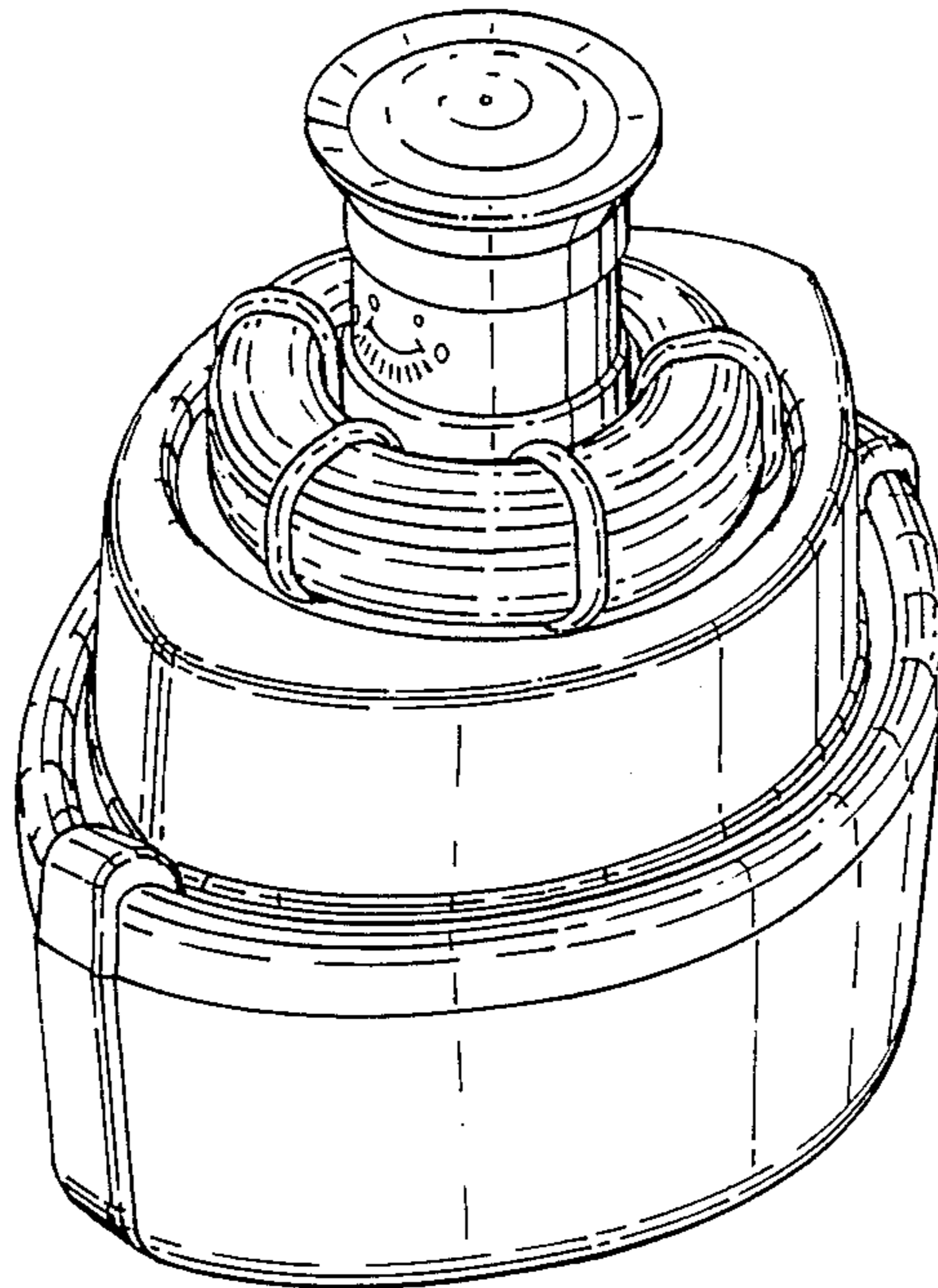


FIG. 1

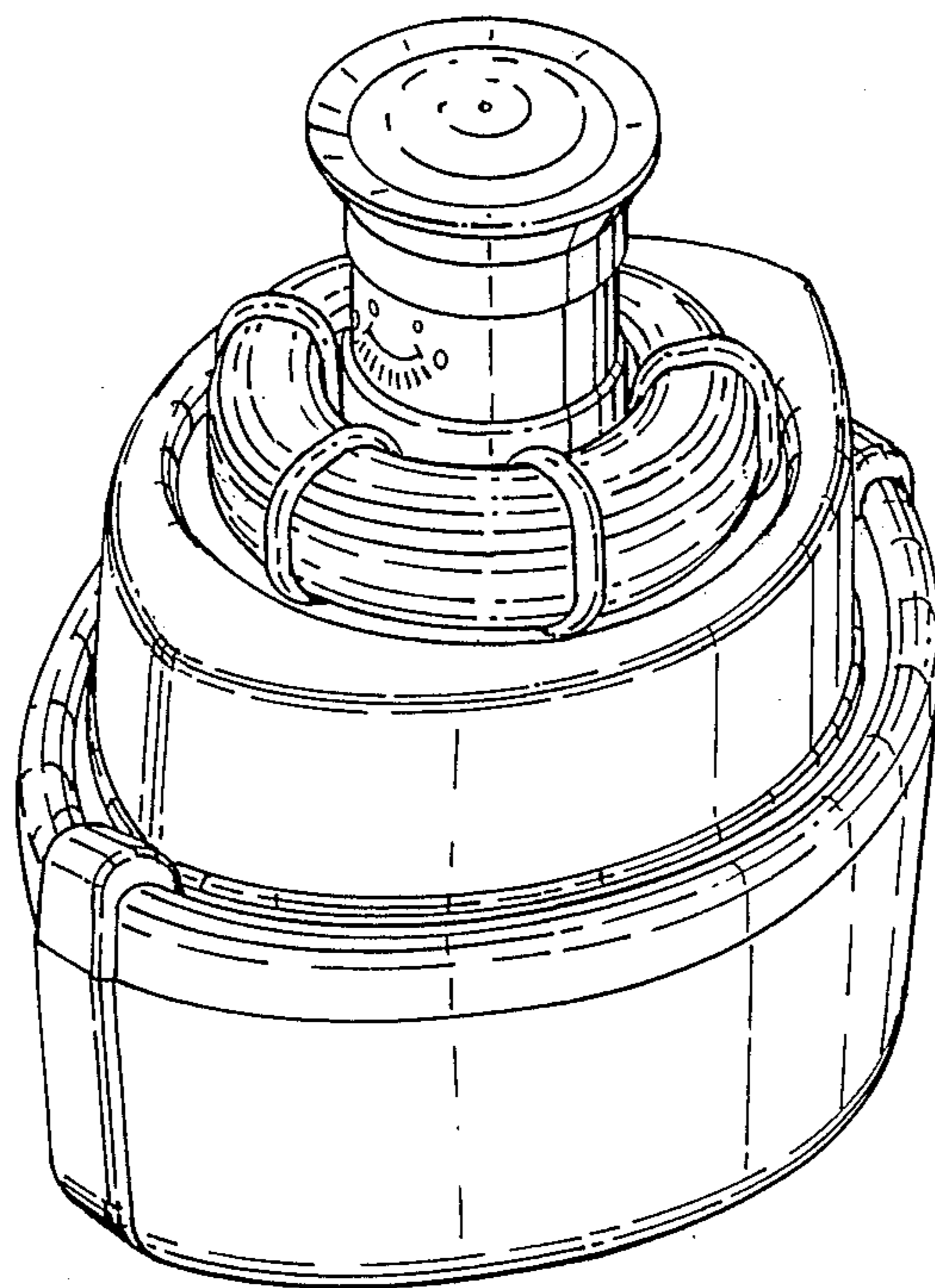


FIG. 2

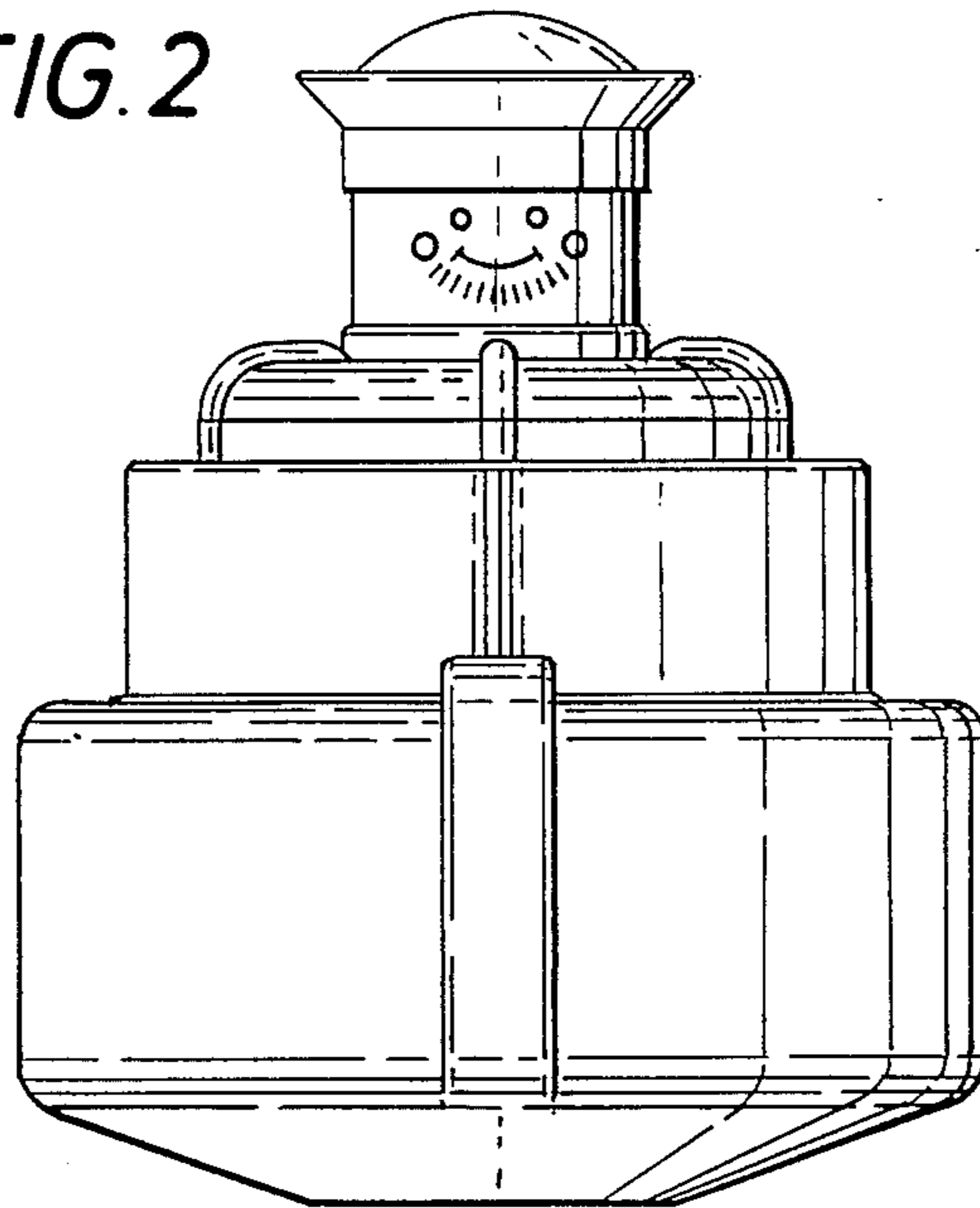


FIG. 3

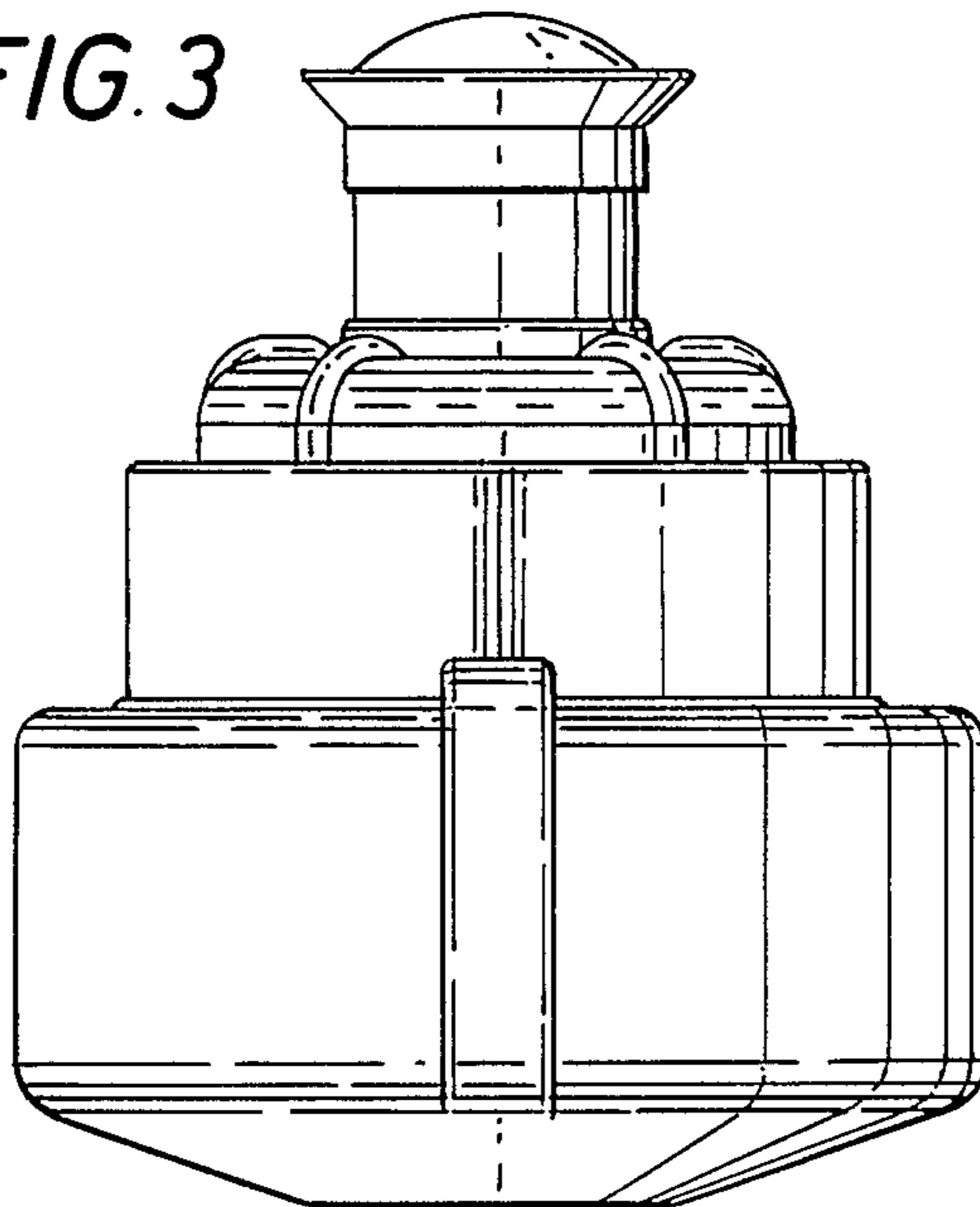


FIG. 4

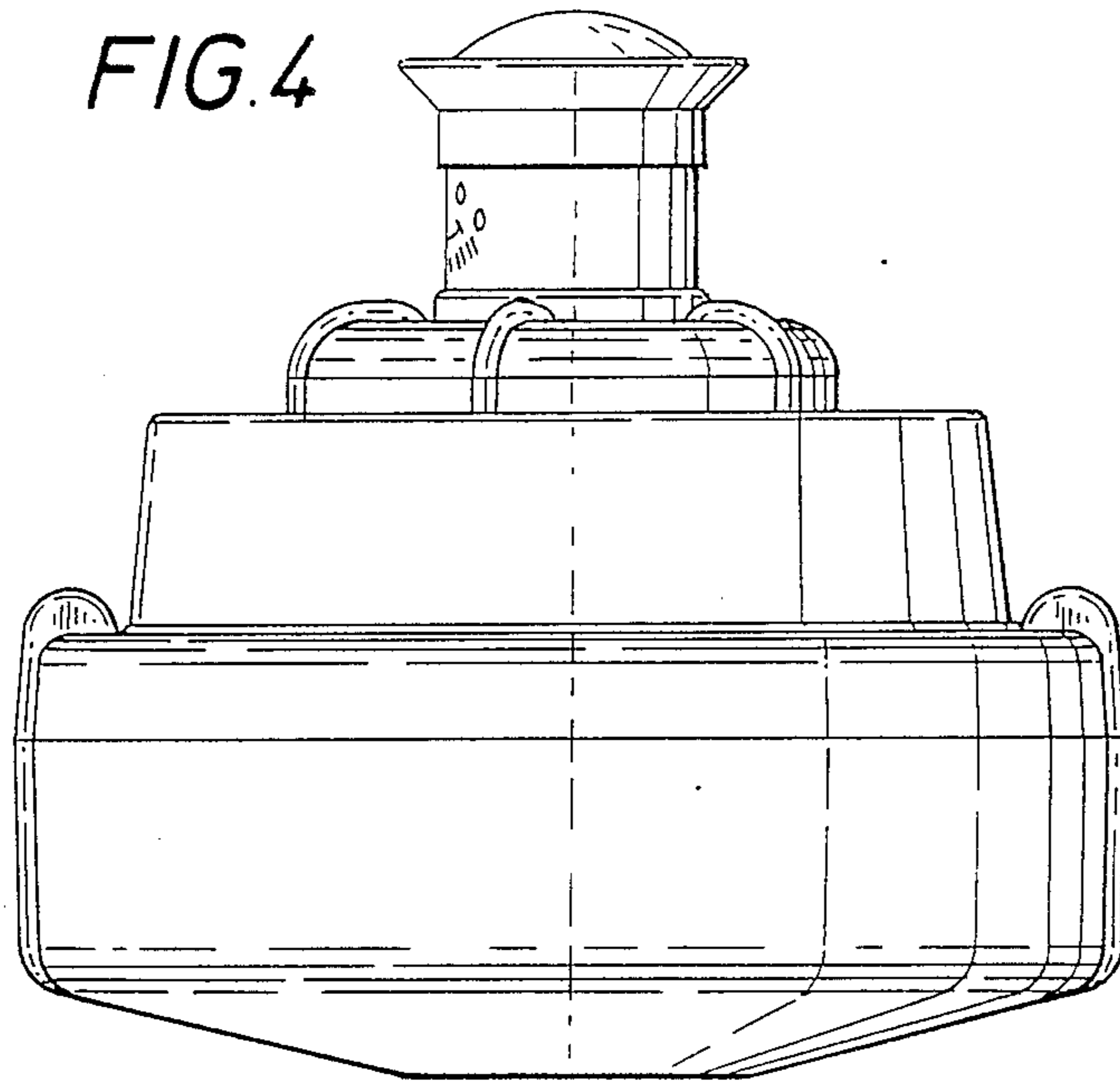


FIG. 5

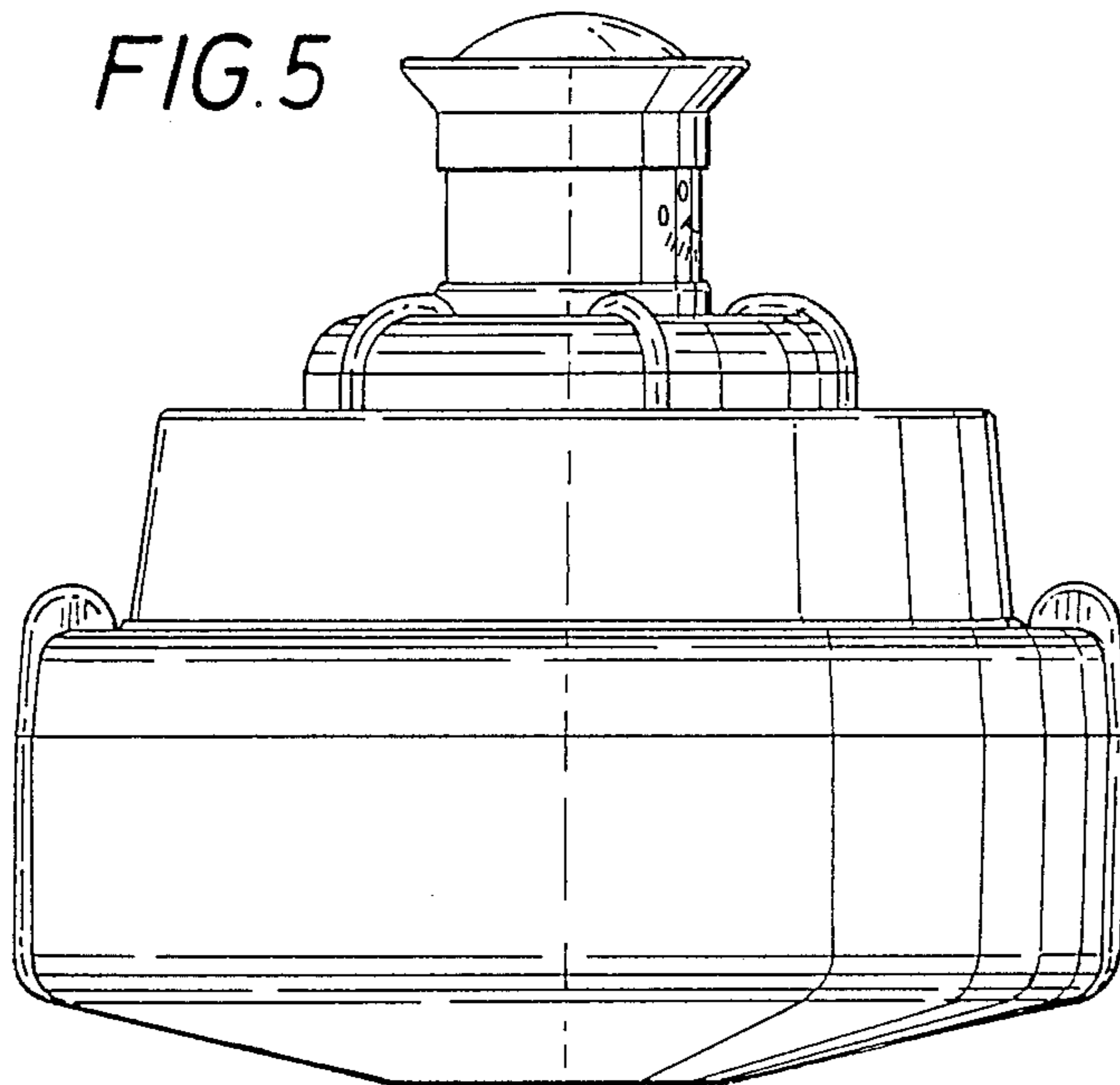


FIG. 6

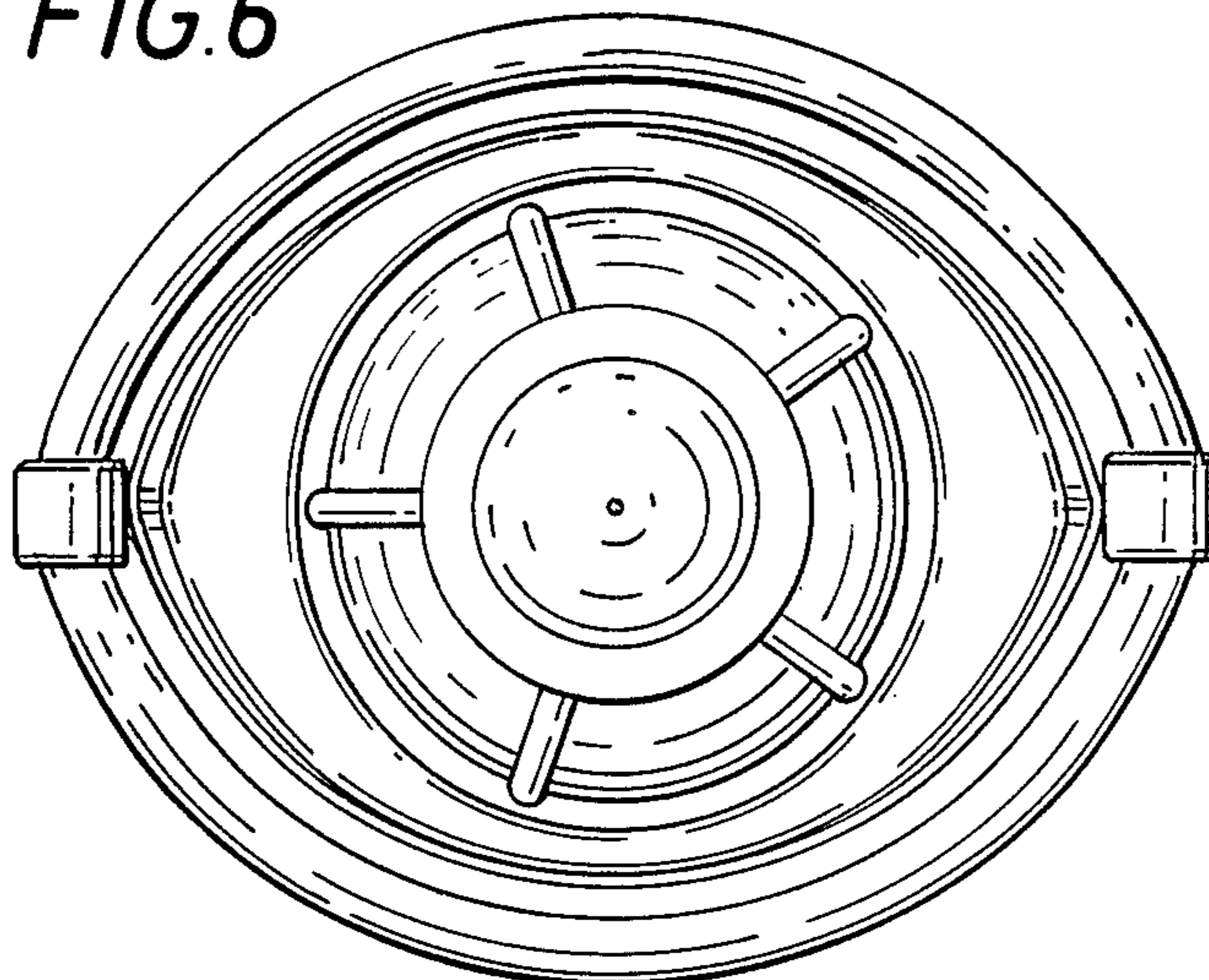


FIG. 7

