

# United States Patent [19]

Kovats

[11] Patent Number: **Des. 311,555**

[45] Date of Patent: **\*\* Oct. 23, 1990**

[54] **TOY KITE**

[75] Inventor: **John J. Kovats**, Fernandina Beach, Fla.

[73] Assignee: **Space Adventures, Incorporated**, Jacksonville, Fla.

[\*\*] Term: **14 Years**

[21] Appl. No.: **289,784**

[22] Filed: **Dec. 27, 1988**

[52] U.S. Cl. .... **D21/89**

[58] Field of Search ..... **D21/82, 84, 85, 86, D21/87-91; 446/34, 61-69**

[56] **References Cited**

### U.S. PATENT DOCUMENTS

D. 278,727 5/1985 Ninomiya ..... D21/89

D. 278,729 5/1985 Ninomiya ..... D21/89  
1,572,270 2/1926 Dwyer ..... 446/64  
2,417,267 3/1947 Porter ..... 446/63  
2,976,644 3/1961 Crisci ..... 446/65

*Primary Examiner*—Charles A. Rademaker  
*Attorney, Agent, or Firm*—Arthur G. Yeager

[57] **CLAIM**

The ornamental design for a toy kite, as shown and described.

### DESCRIPTION

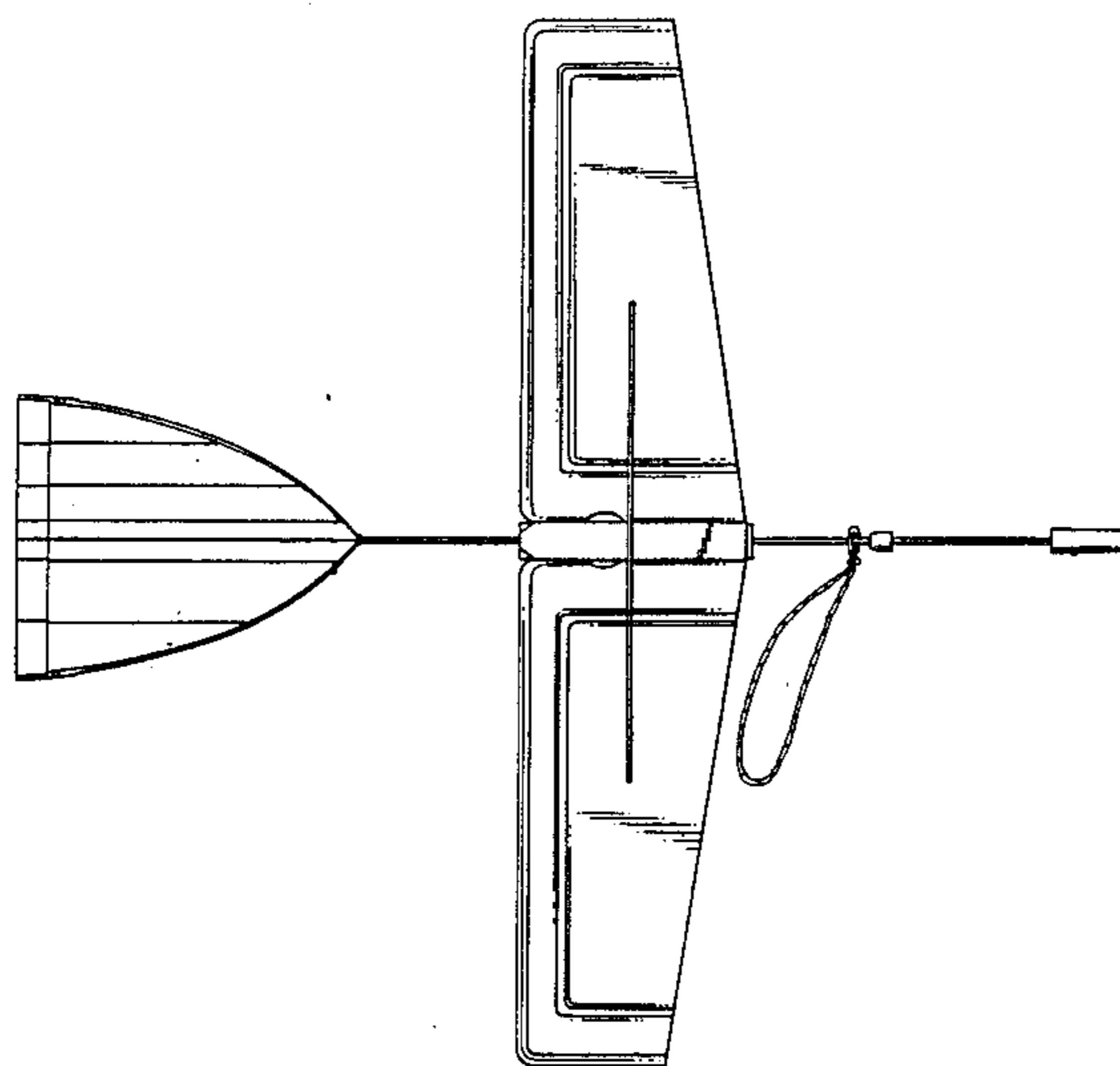
FIG. 1 is a side elevational view of a toy kite showing my new design;

FIG. 2 is a top plan view thereof;

FIG. 3 is a front elevational view thereof;

FIG. 4 is a bottom plan view thereof; and

FIG. 5 is a rear elevational view thereof.



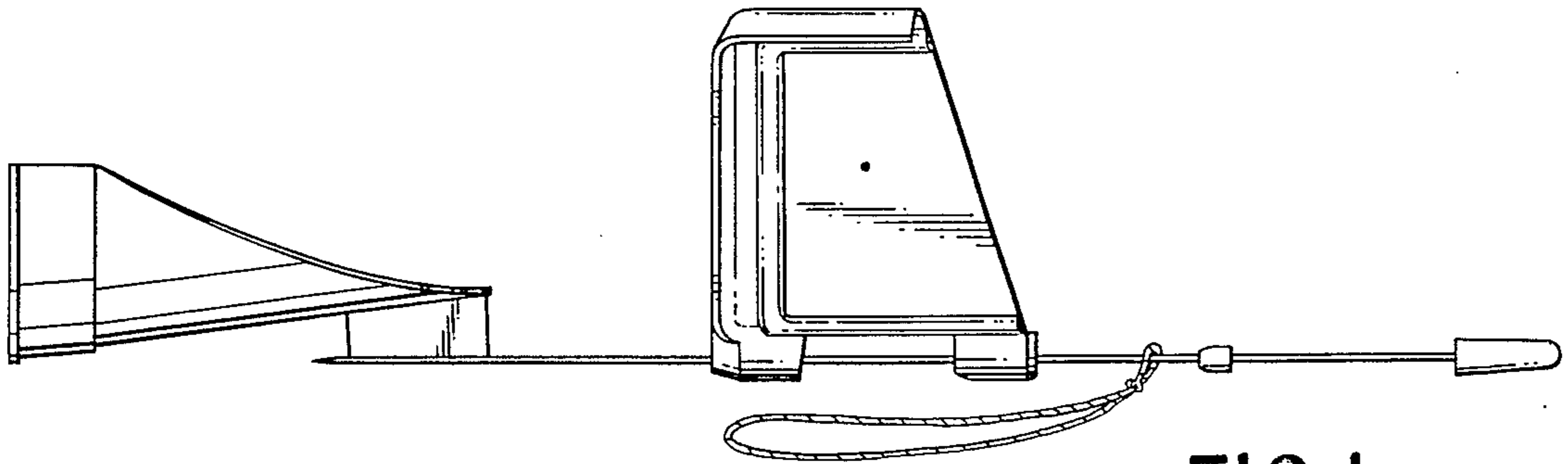


FIG 1

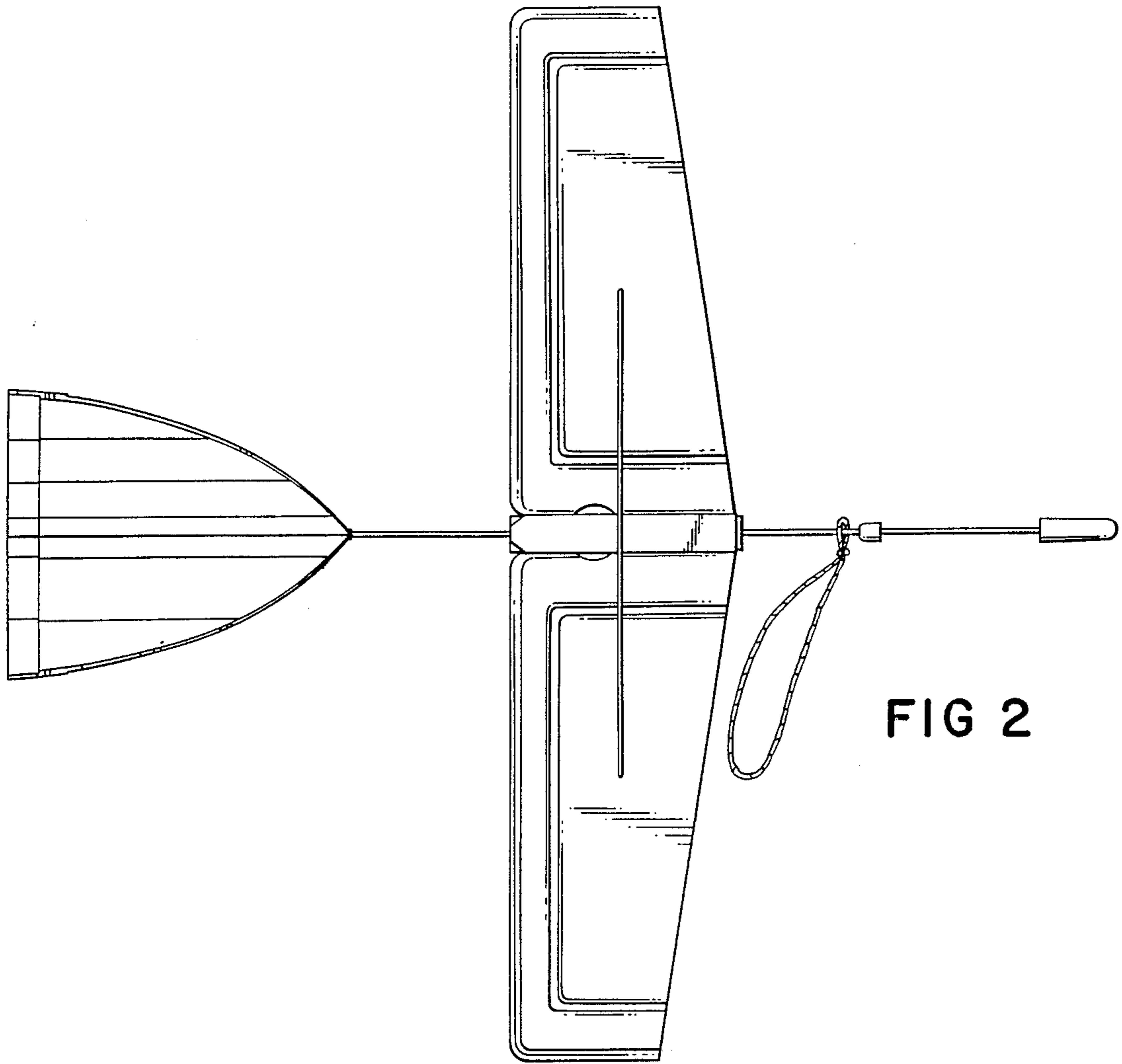


FIG 2

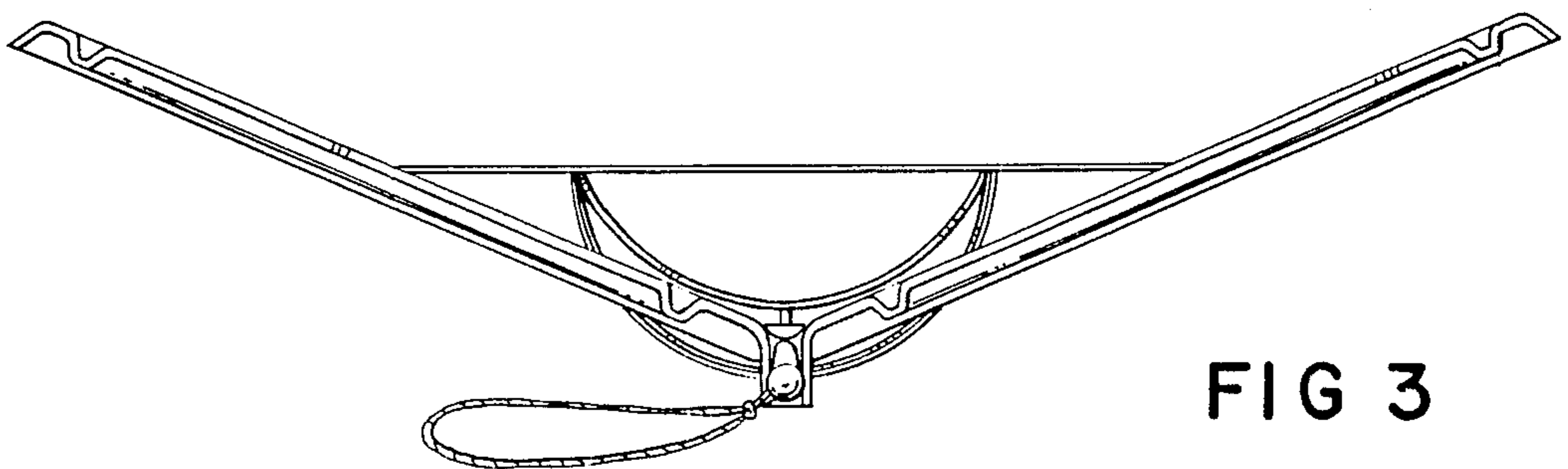


FIG 3

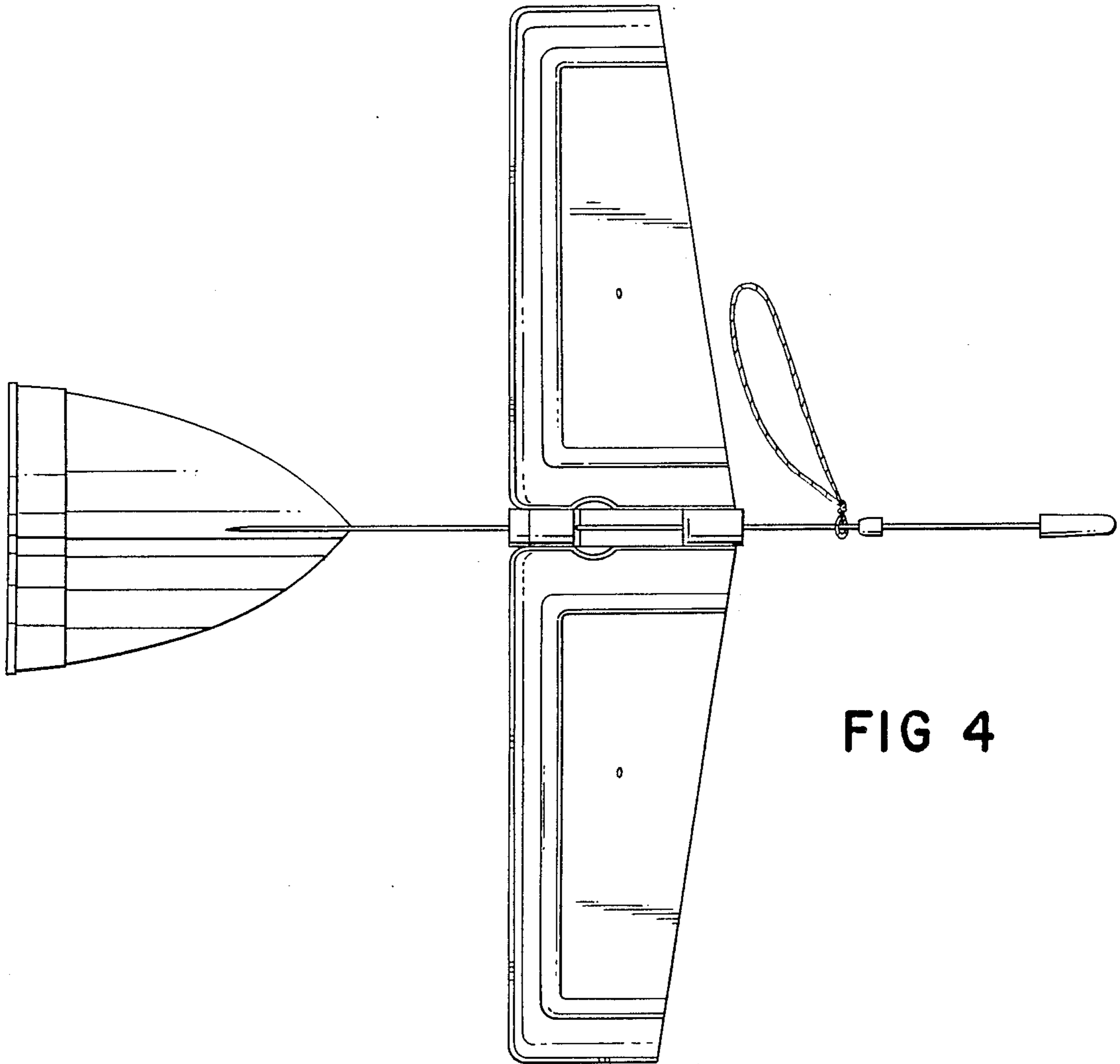


FIG 4

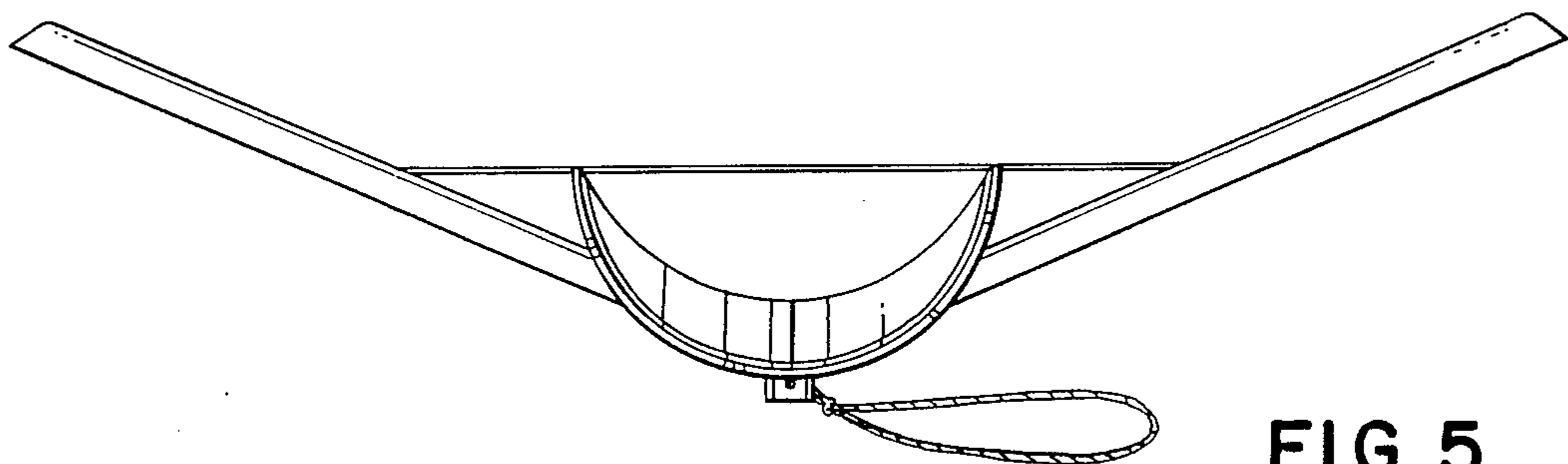


FIG 5