

[54] BINDING APPARATUS

[75] Inventor: Thomas T. Battisti, Buffalo Grove, Ill.

[73] Assignee: General Binding Corporation, Northbrook, Ill.

[**] Term: 14 Years

[21] Appl. No.: 171,535

[22] Filed: Mar. 22, 1988

[52] U.S. Cl. D19/26

[58] Field of Search D19/26, 27, 28, 32, D19/33, 34, 29, 86, 30, 31, 1, 2, 6; D18/11; 281/21.1, 49; 402/75, 3, 2, 73, 74; 206/215; 412/17, 18, 33, 37; D3/39, 56, 74, 78, 30.1; D28/83

[56] References Cited

U.S. PATENT DOCUMENTS

D. 255,038 5/1980 Itakura D28/83 X
D. 277,418 1/1985 Henrick D28/83 X
D. 283,950 5/1986 Markowitz D18/11 X

D. 287,169 12/1986 Trabattoni D28/83
D. 294,774 3/1988 Kitada D19/26 X
4,204,704 5/1980 Staats 281/21.1

FOREIGN PATENT DOCUMENTS

416071 9/1924 Fed. Rep. of Germany 281/15.1

Primary Examiner—James M. Gandy
Assistant Examiner—Pamela J. Schmidt
Attorney, Agent, or Firm—Hill, Van Santen, Steadman & Simpson

[57] CLAIM

The ornamental design for a binding apparatus, as shown.

DESCRIPTION

FIG. 1 is a perspective view of a binding apparatus showing my new design;
FIG. 2 is a right side elevational view thereof;
FIG. 3 is a bottom plan view thereof;
FIG. 4 is a front elevational view thereof;
FIG. 5 is a rear elevational view thereof; and
FIG. 6 is a perspective view thereof, in an opened position.

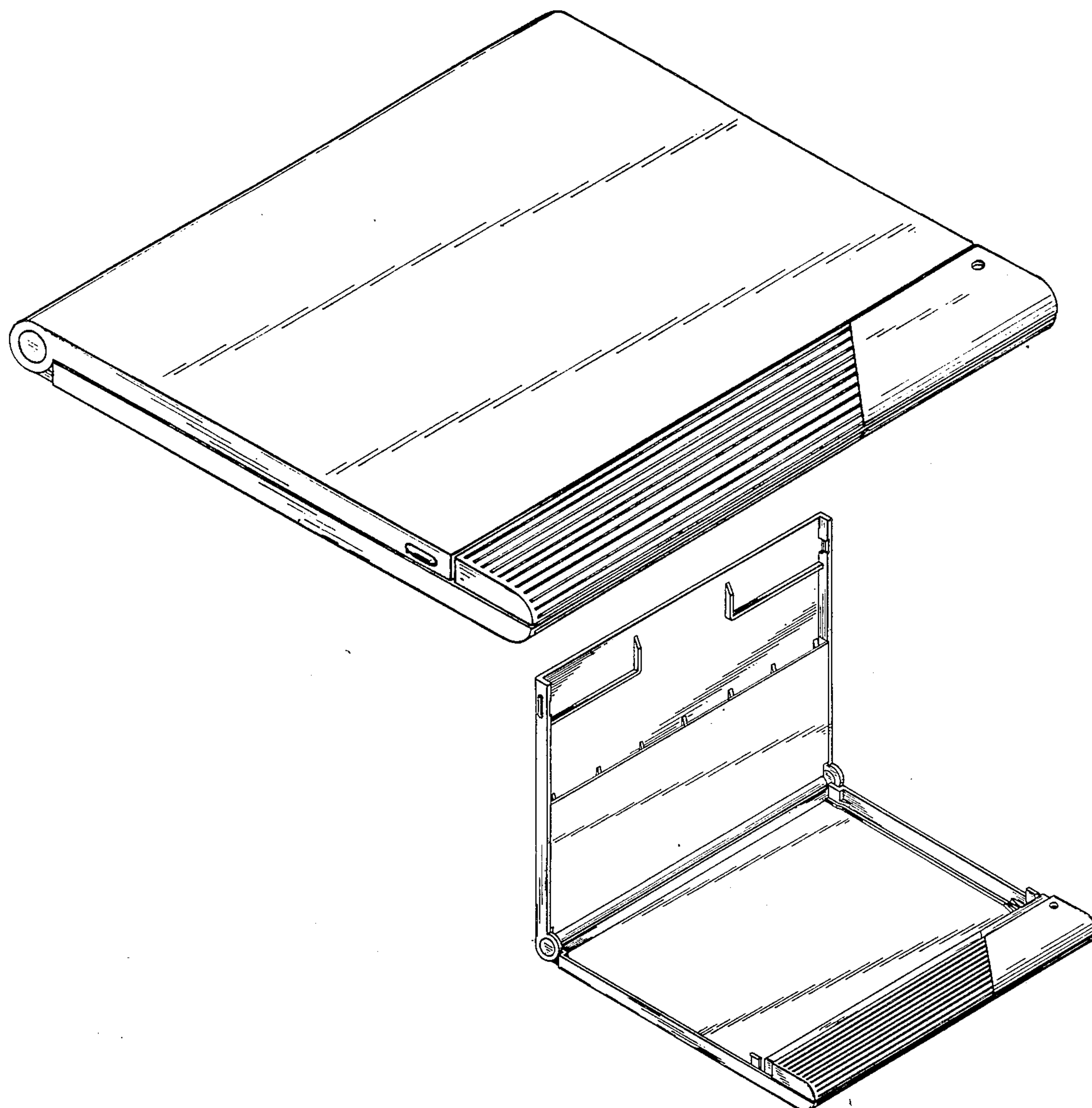


FIG. 1

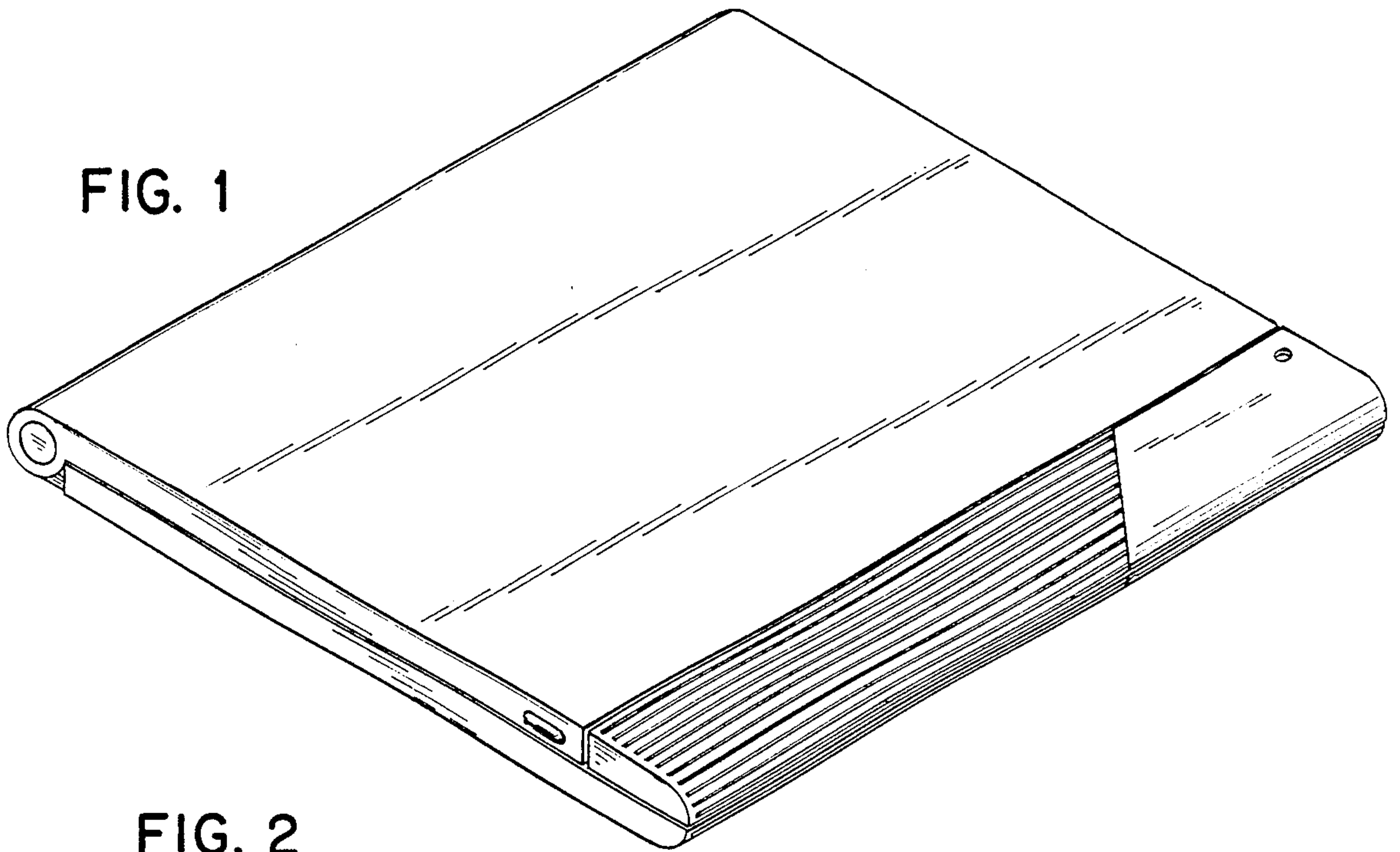


FIG. 2



FIG. 3

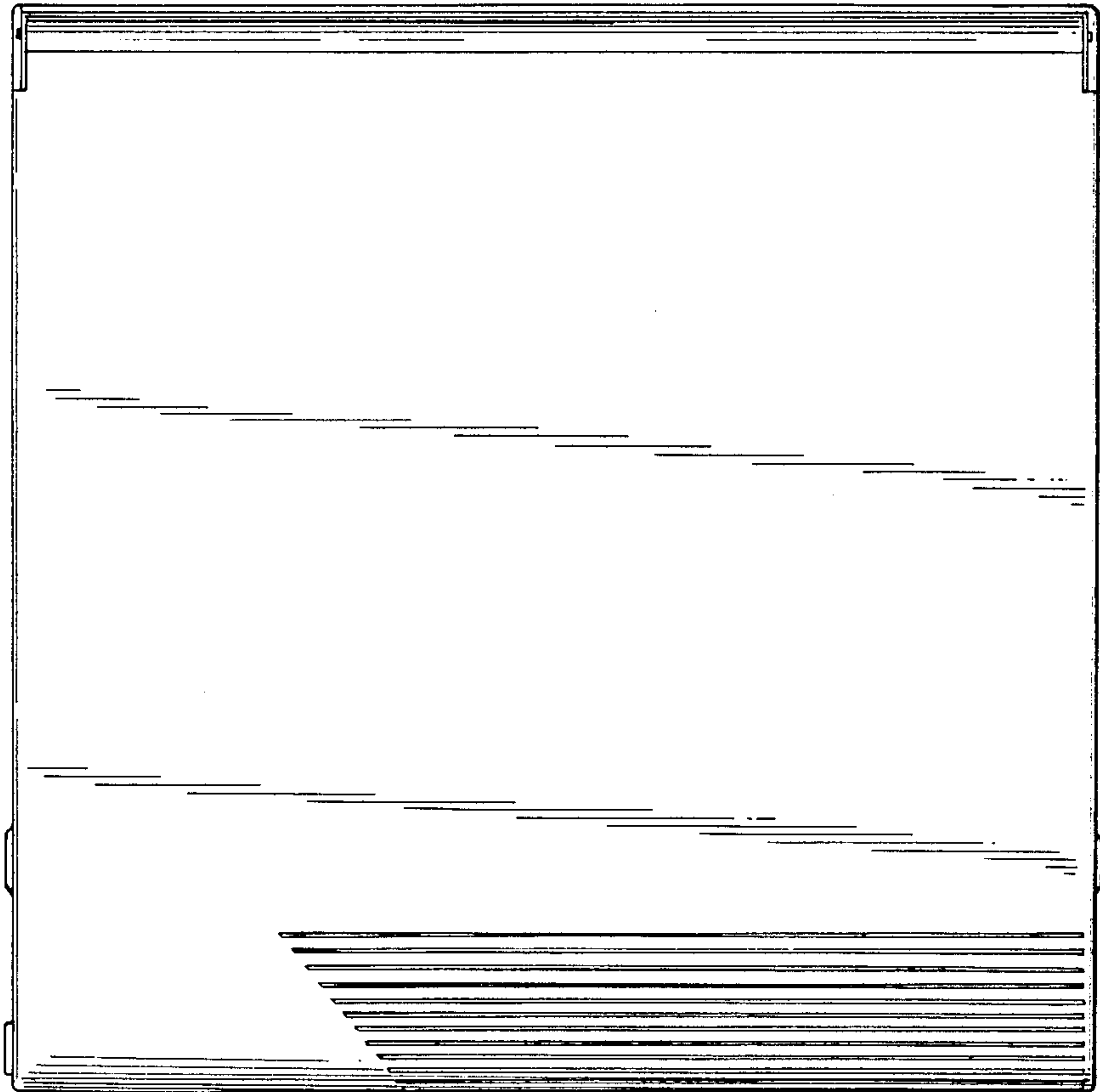


FIG. 4

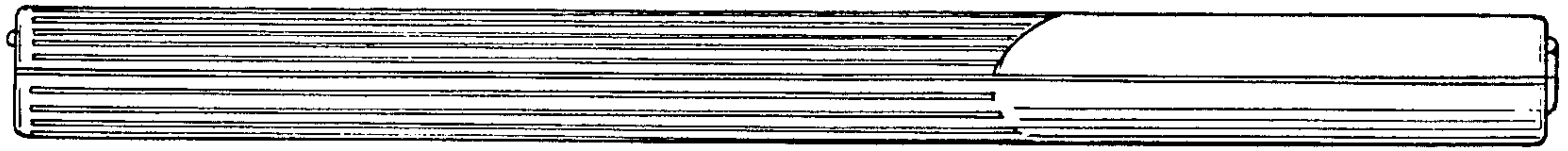


FIG. 5

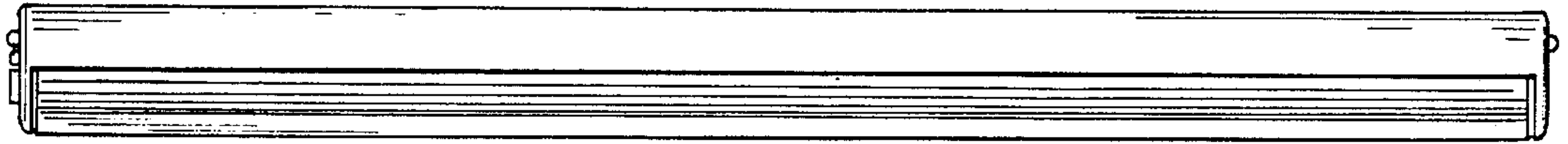


FIG. 6

