

[54] NOTEBOOK CASE

[76] Inventor: Theodore G. Thompson, Jr., 2918 W. Grove, Upper Marlboro, Md. 20772

[**] Term: 14 Years

[21] Appl. No.: 261,476

[22] Filed: Oct. 24, 1988

[52] U.S. Cl. D19/26

[58] Field of Search D19/1, 2, 26, 27, 28, D19/32, 86; 150/135, 152; 206/214, 215, 232; 281/22, 15.1, 16, 19.1, 29, 31; D3/60, 30.1, 42, 52, 66

[56] References Cited

U.S. PATENT DOCUMENTS

D. 152,134	12/1948	Bauman	D19/27 X
D. 175,394	8/1955	Coper	D3/56
D. 208,614	9/1967	Coniker	D3/56
D. 250,592	12/1978	Testro et al.	D19/26
1,663,171	3/1928	Osborn	206/215
3,994,328	11/1976	Reis	D3/60 X

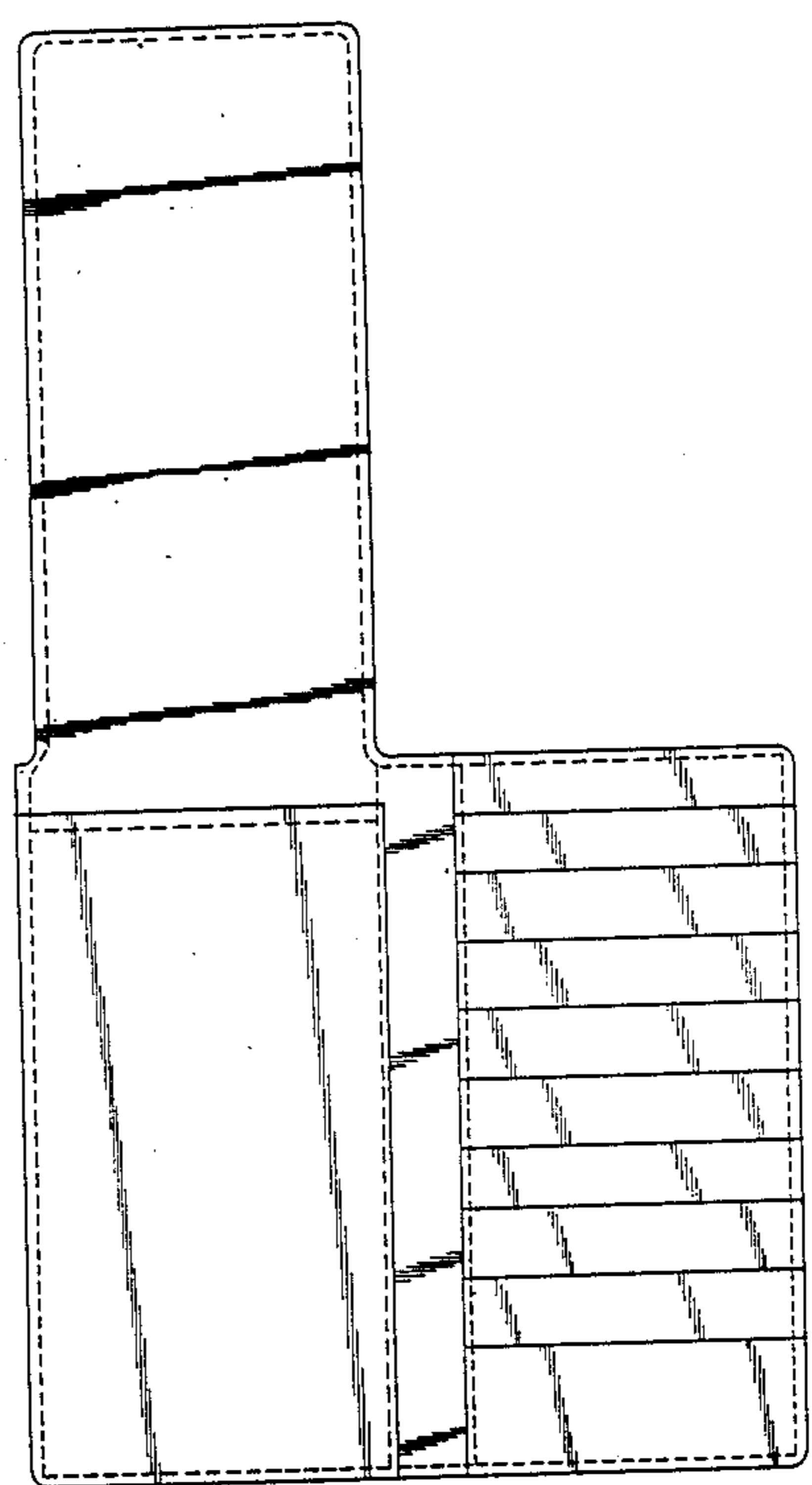
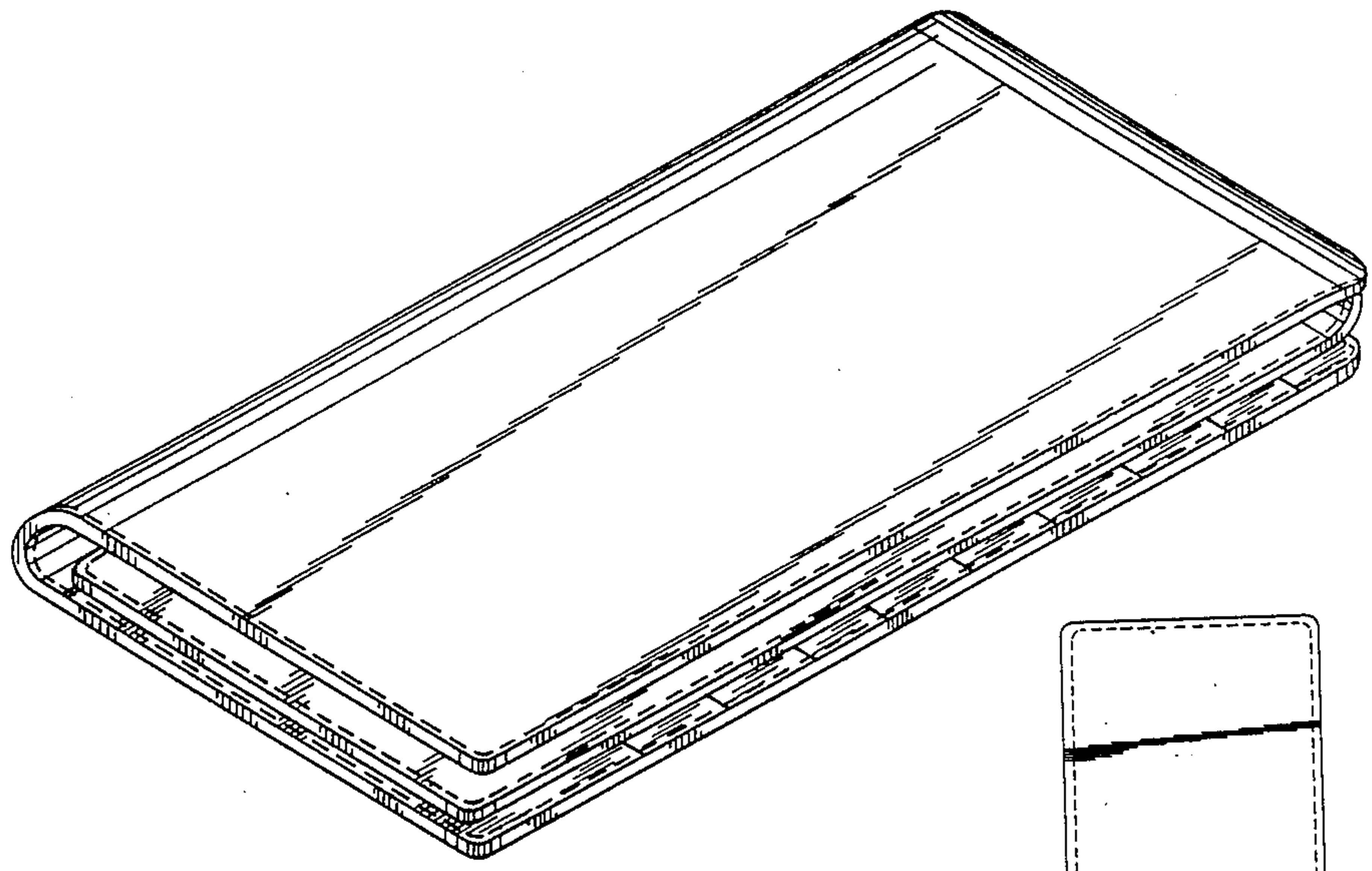
Primary Examiner—Wallace R. Burke
Assistant Examiner—Pamela J. Schmidt
Attorney, Agent, or Firm—Stephen F. K. Yee

[57] CLAIM

The ornamental design for a notebook case, as shown and described.

DESCRIPTION

FIG. 1 is a perspective view of a notebook case in a closed position showing my new design;
FIG. 2 is a front elevational view thereof;
FIG. 3 is a left side elevational view thereof;
FIG. 4 is a right side elevational view thereof;
FIG. 5 is a top plan view thereof;
FIG. 6 is a bottom plan view thereof;
FIG. 7 is a front elevational view thereof in a fully opened position;
FIG. 8 is a left side elevational view thereof;
FIG. 9 is a right side elevational view thereof; and
FIG. 10 is a top plan view thereof, the undisclosed bottom being the same.



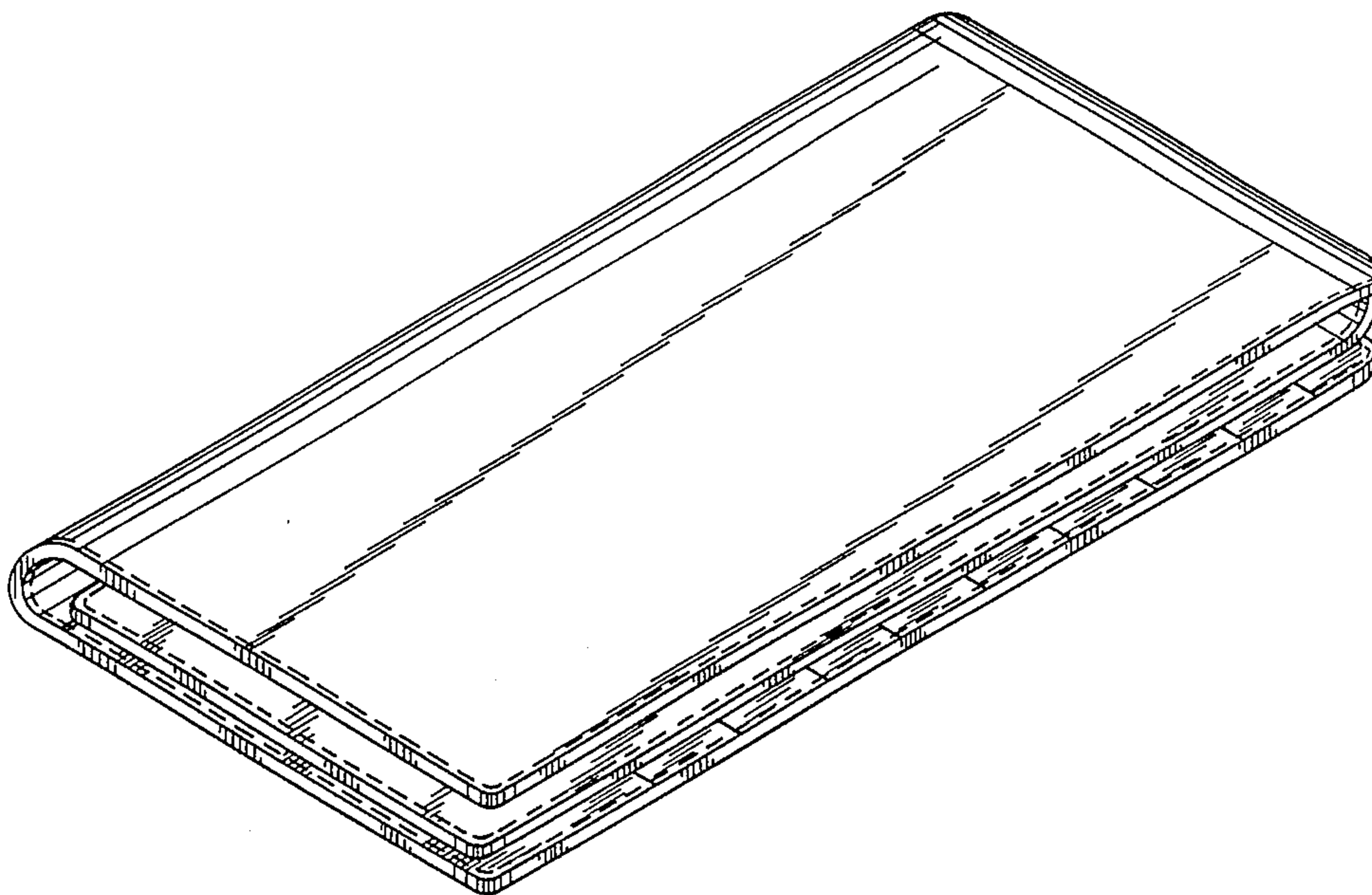


FIG. 1

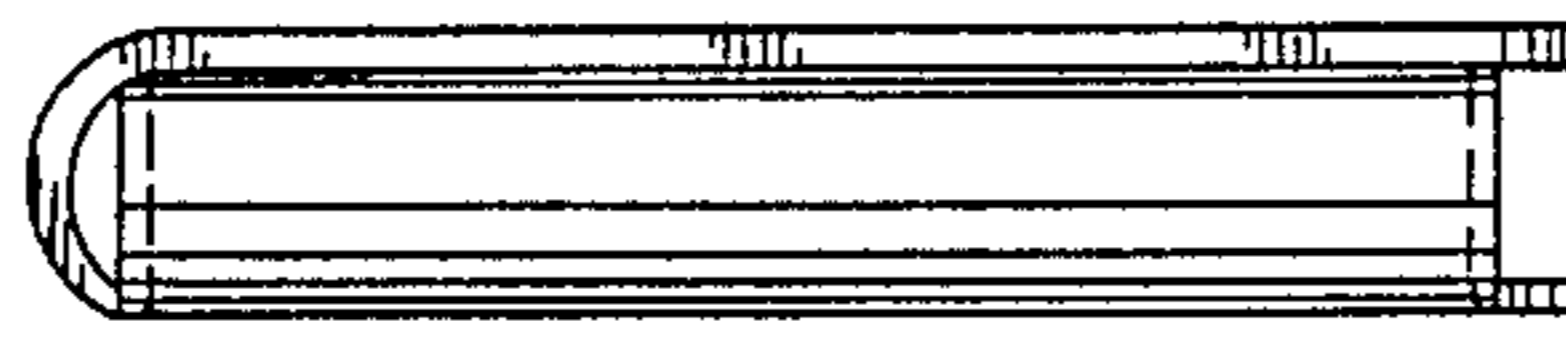


FIG. 5

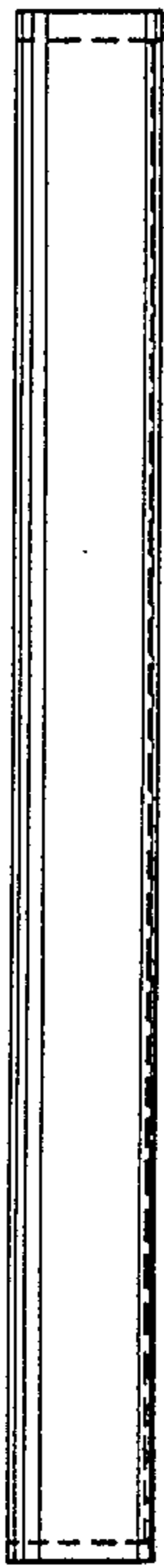


FIG. 3

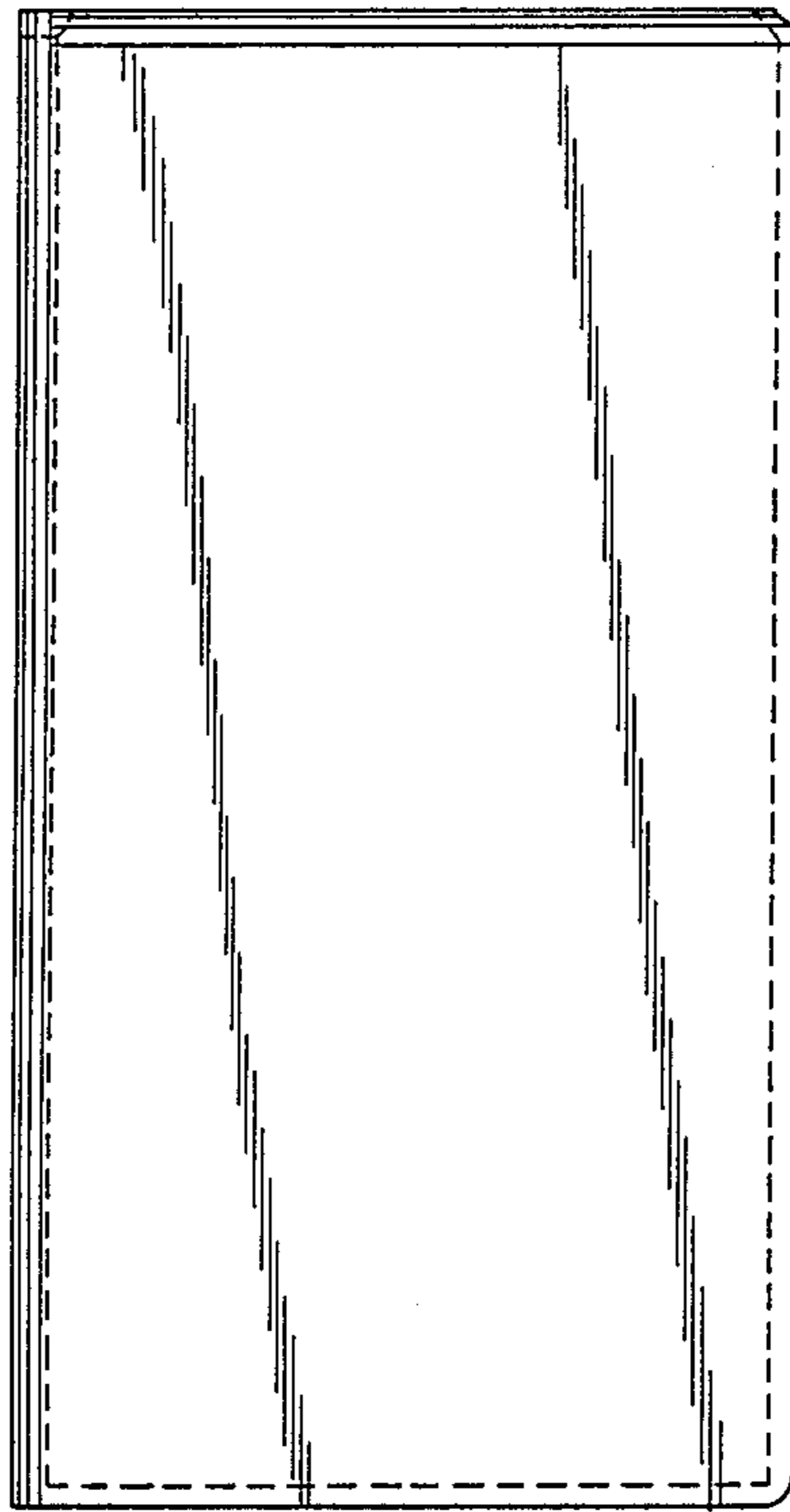


FIG. 2

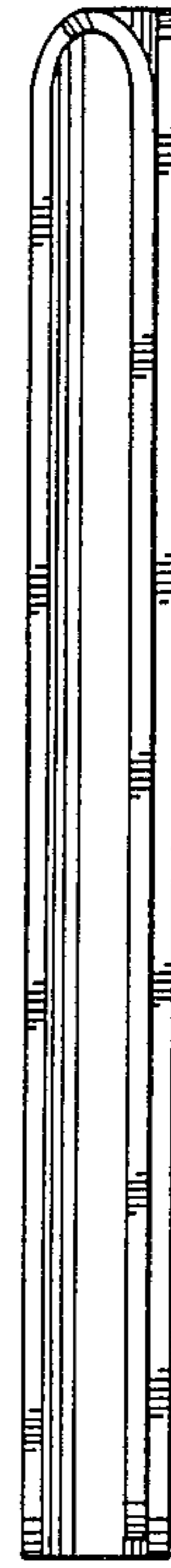


FIG. 4

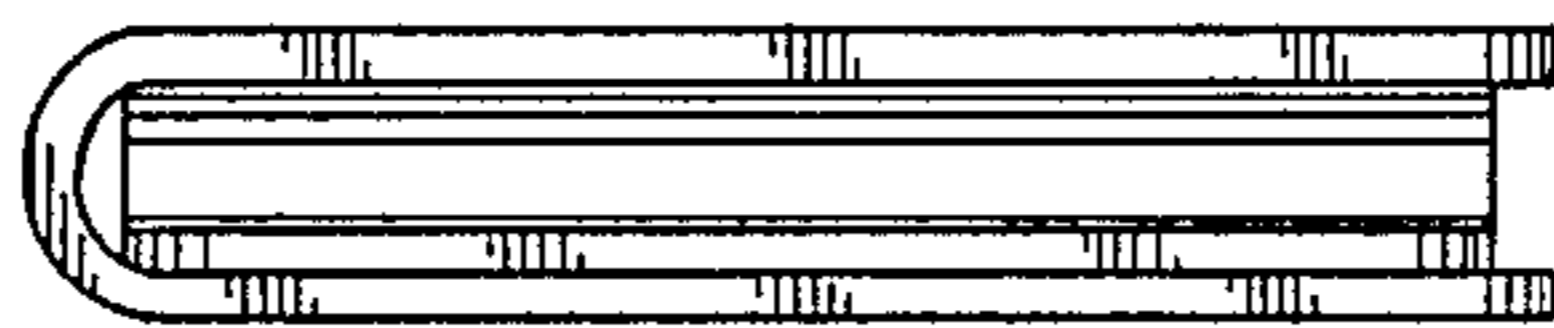


FIG. 6

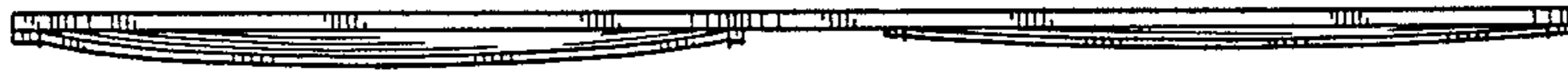


FIG. 10



FIG. 8

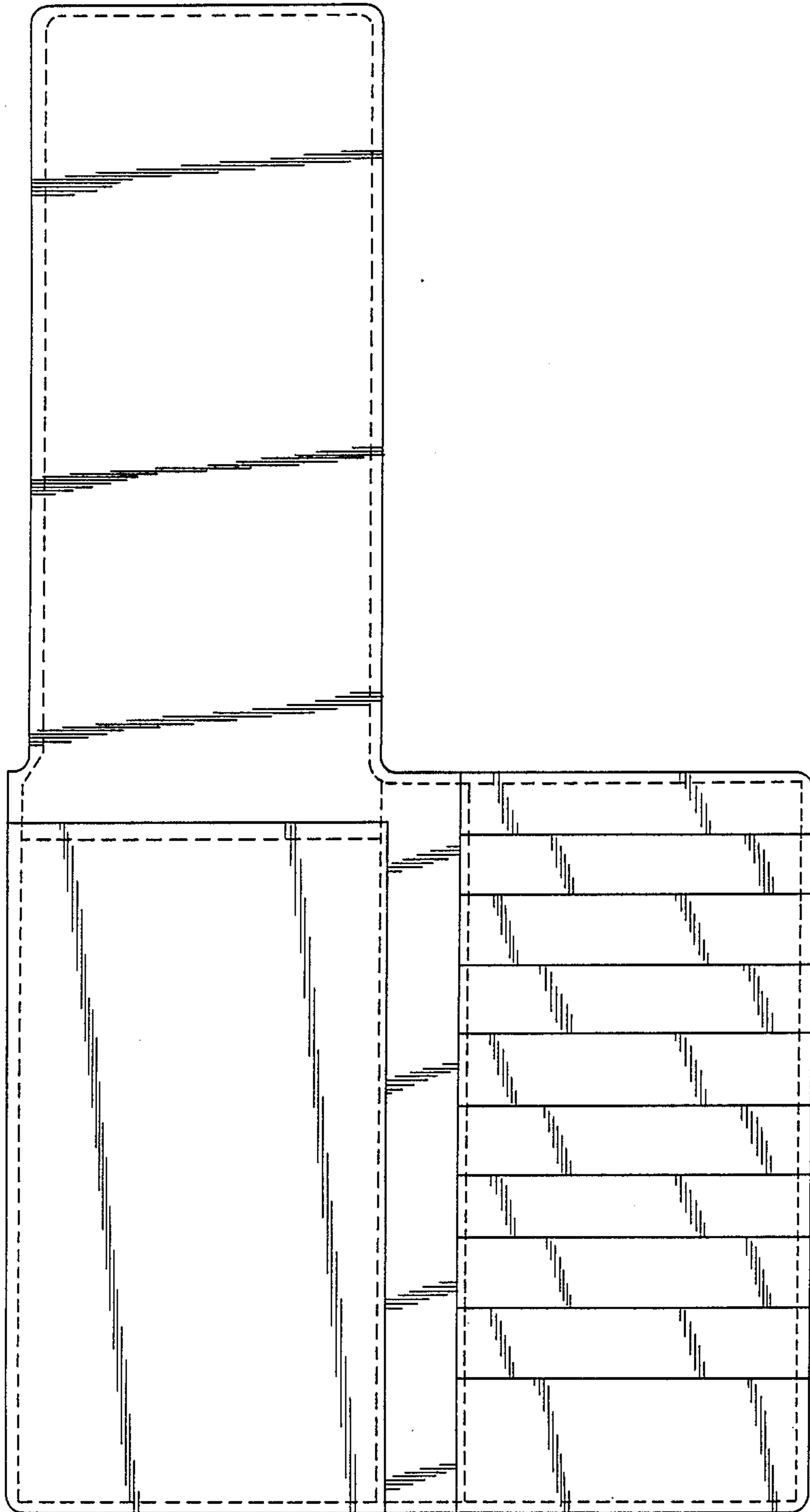


FIG. 7



FIG. 9