

[54] CAMERA WITH INTEGRAL FLASH UNIT

4,350,420 9/1982 Engelsmann et al. 354/149.11

[75] Inventors: Bruce A. Leonard, Honeoye Falls; David E. Hansen, Fairport, both of N.Y.

[73] Assignee: Eastman Kodak Company, Rochester, N.Y.

[**] Term: 14 Years

[21] Appl. No.: 108,868

[22] Filed: Oct. 13, 1987

[52] U.S. Cl. D16/209

[58] Field of Search D16/200, 208, 209, 216, D16/217, 218; 354/82, 202, 288, 147, 149.1, 149.11

[56] References Cited

U.S. PATENT DOCUMENTS

D. 267,954	2/1983	Sawara	D16/209
D. 273,498	4/1984	Arnott	D16/209
D. 284,768	7/1986	Nakayama	D16/209
D. 284,973	8/1986	Hansen	D16/6
D. 285,087	8/1986	Hansen	D16/6
D. 285,208	8/1986	Nakayama	D16/209

OTHER PUBLICATIONS

Popular Photography, Apr. 1986, p. 49 (K10 e K12 Cameras).

Best Products Catalog, 1986, p. 269 (Item 14).

Primary Examiner—Bernard Ansher

Assistant Examiner—Adir Aronovich

Attorney, Agent, or Firm—Roger A. Fields

[57] CLAIM

The ornamental design for a camera with integral flash unit, as shown and described.

DESCRIPTION

FIG. 1 is a front elevation view of a camera with integral flash unit showing my new design with the flash unit in an open-for-use position;

FIG. 2 is a rear elevation view thereof;

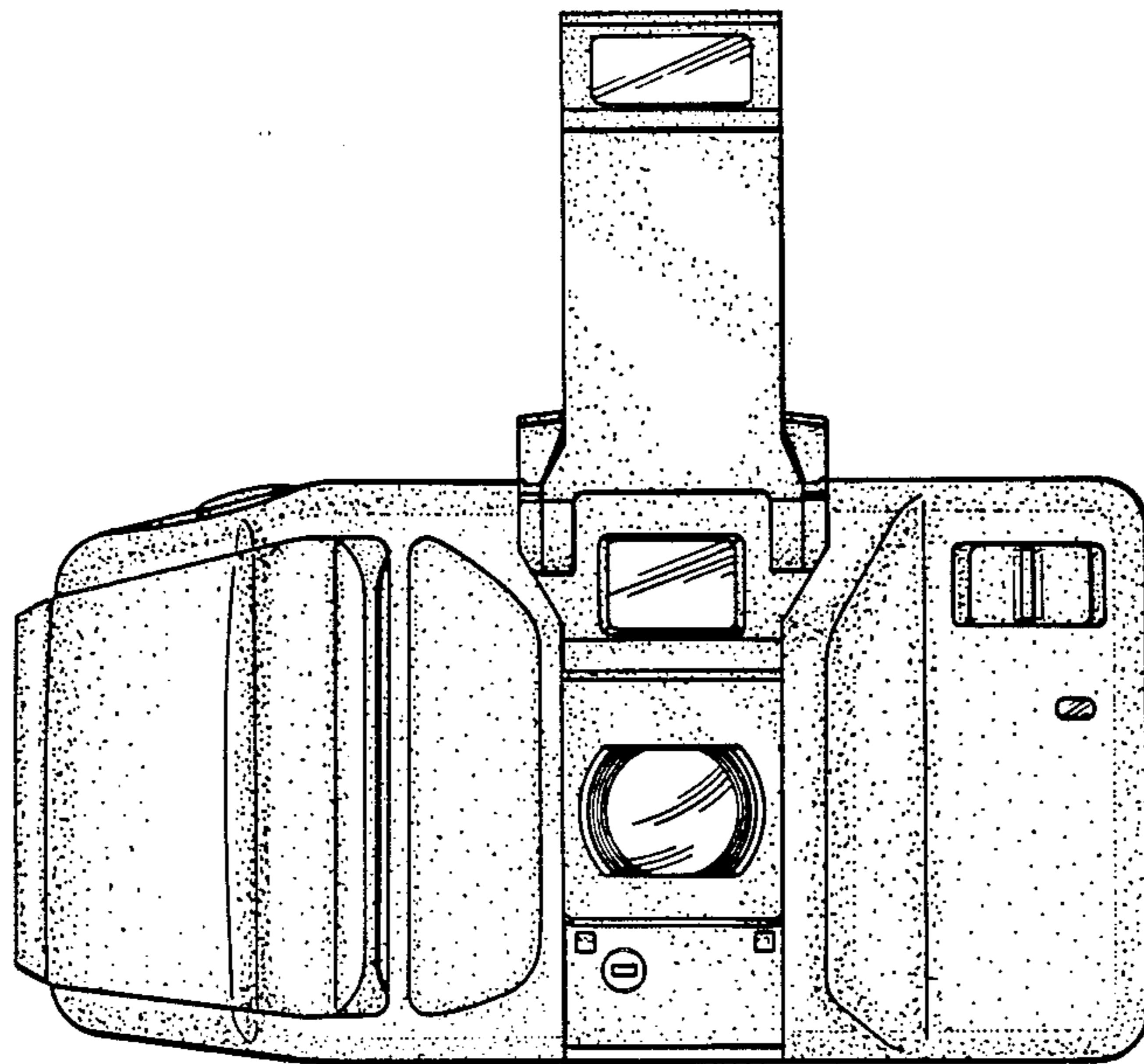
FIG. 3 is a right side elevation view thereof;

FIG. 4 is a left side elevation view thereof;

FIG. 5 is a top plan view thereof;

FIG. 6 is a bottom plan view thereof; and

FIG. 7 is a front elevation view thereof with the flash unit in a closed or folded position.



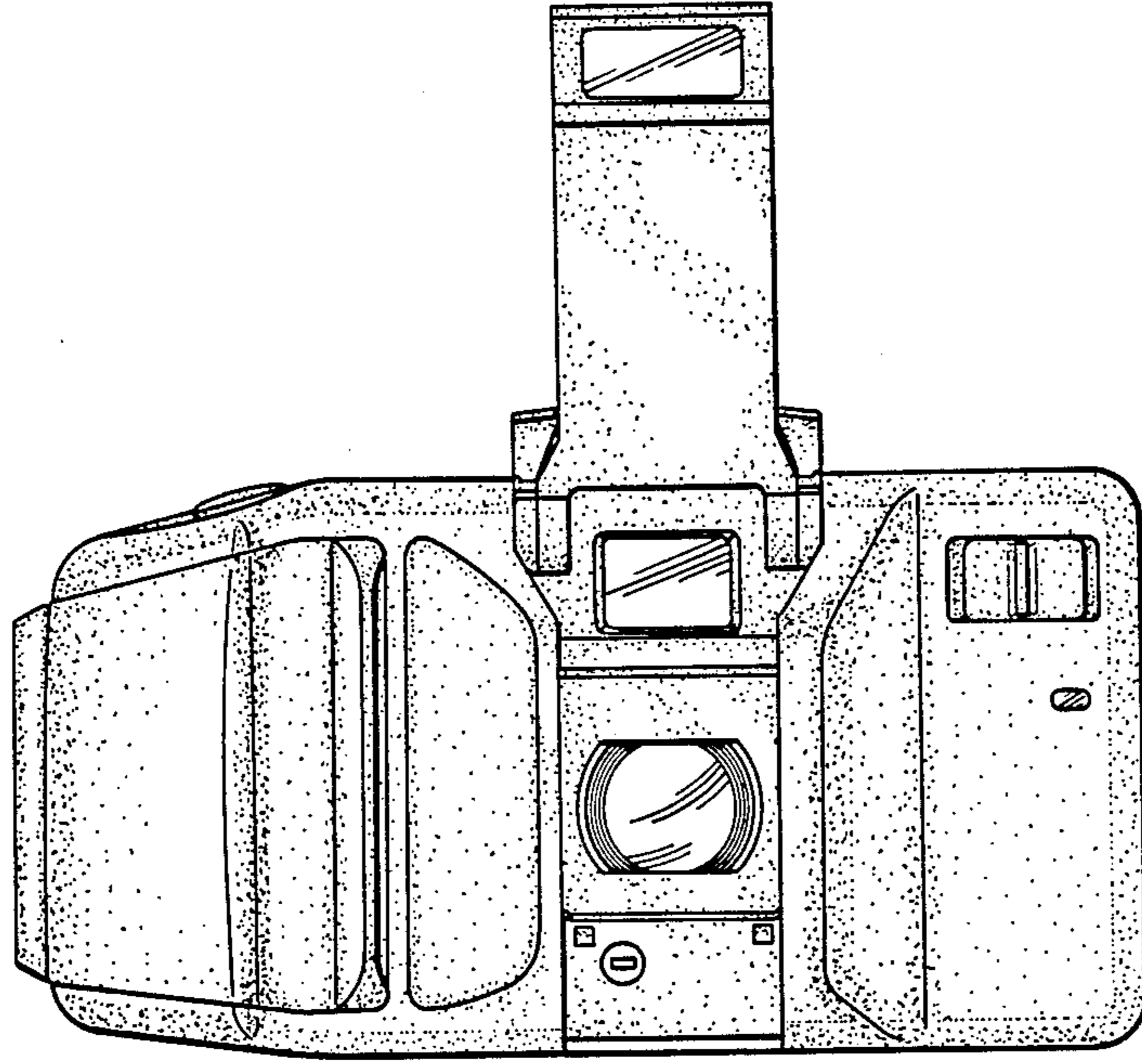


FIG. 1

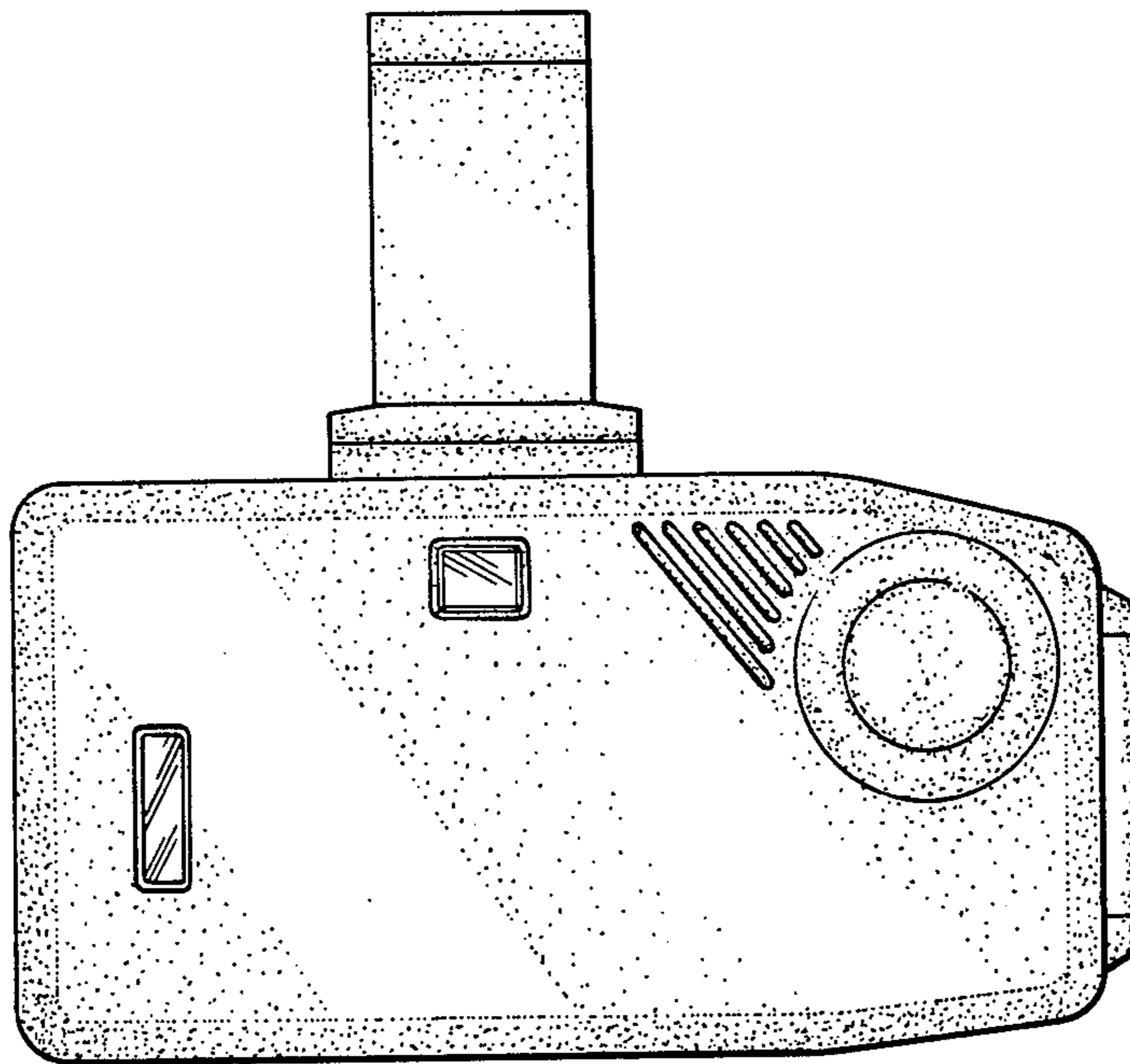


FIG. 2

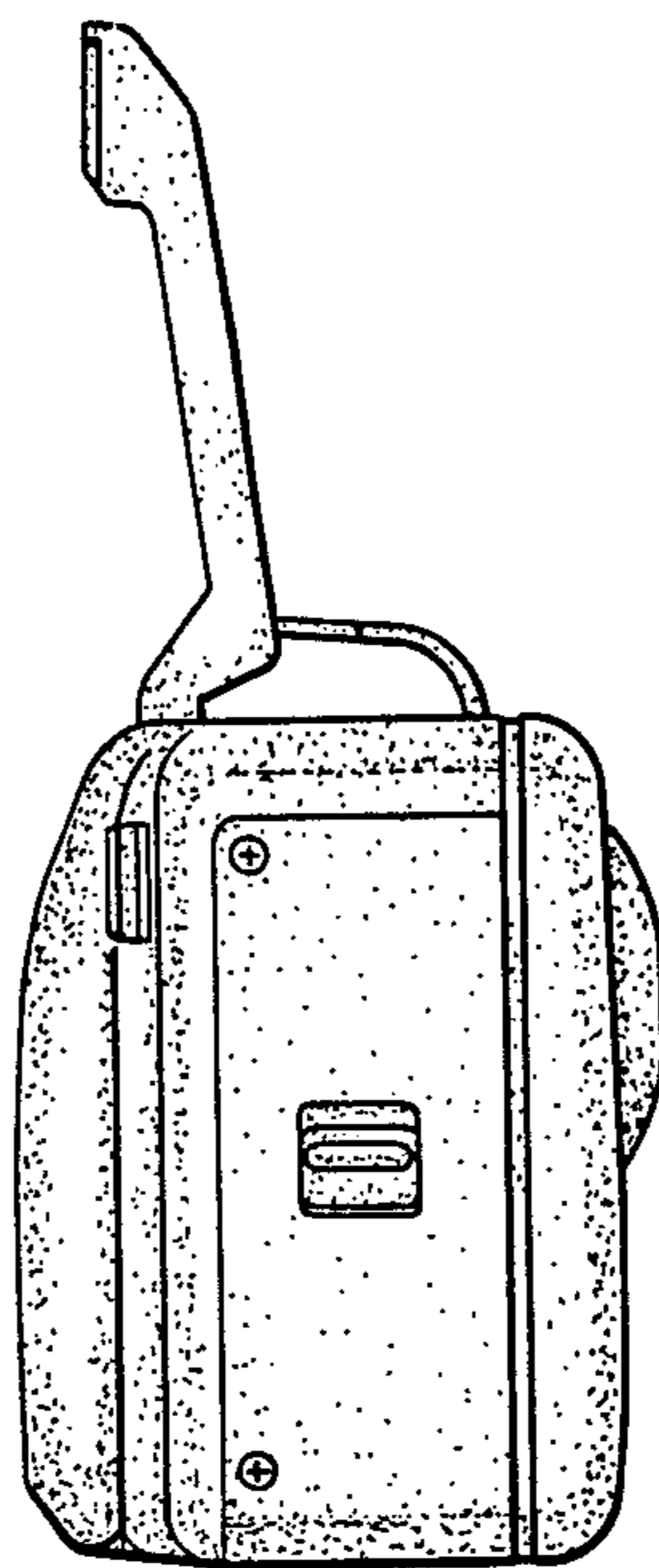


FIG. 3

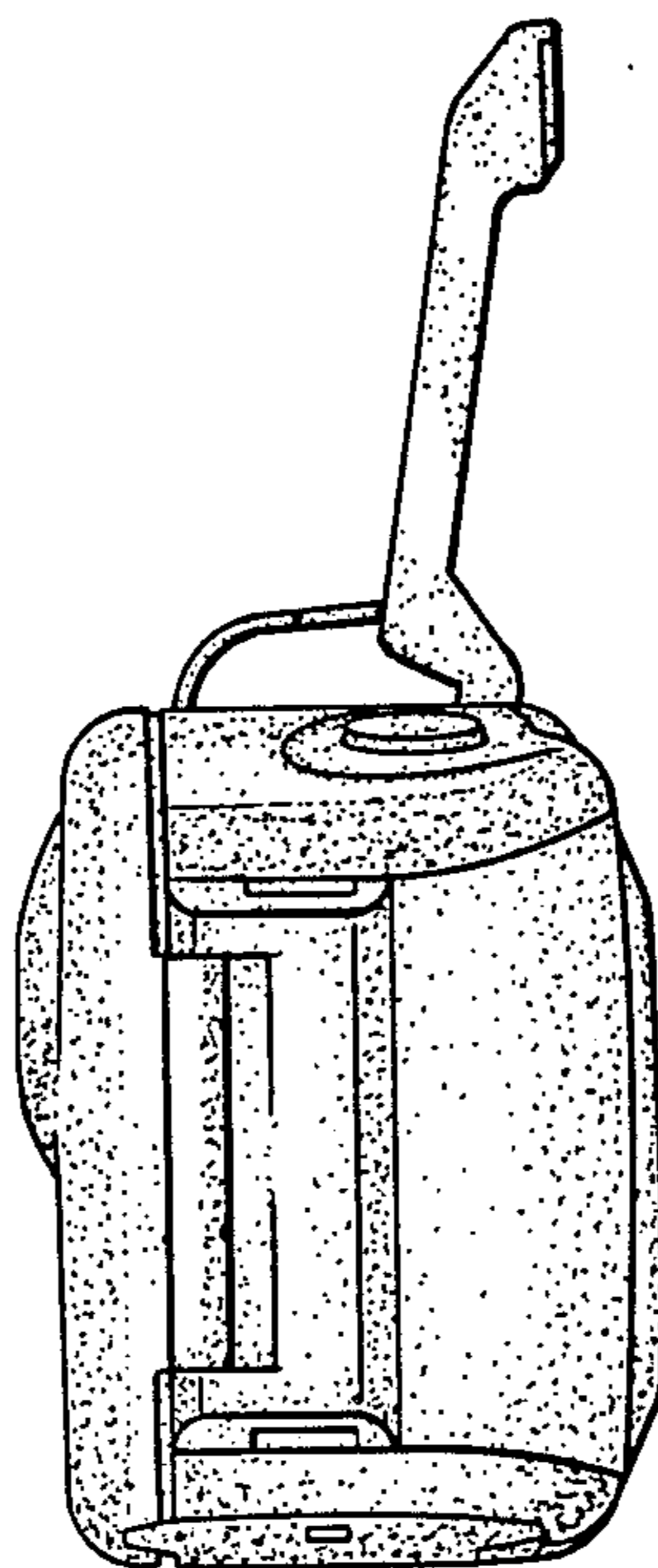


FIG. 4

FIG. 5

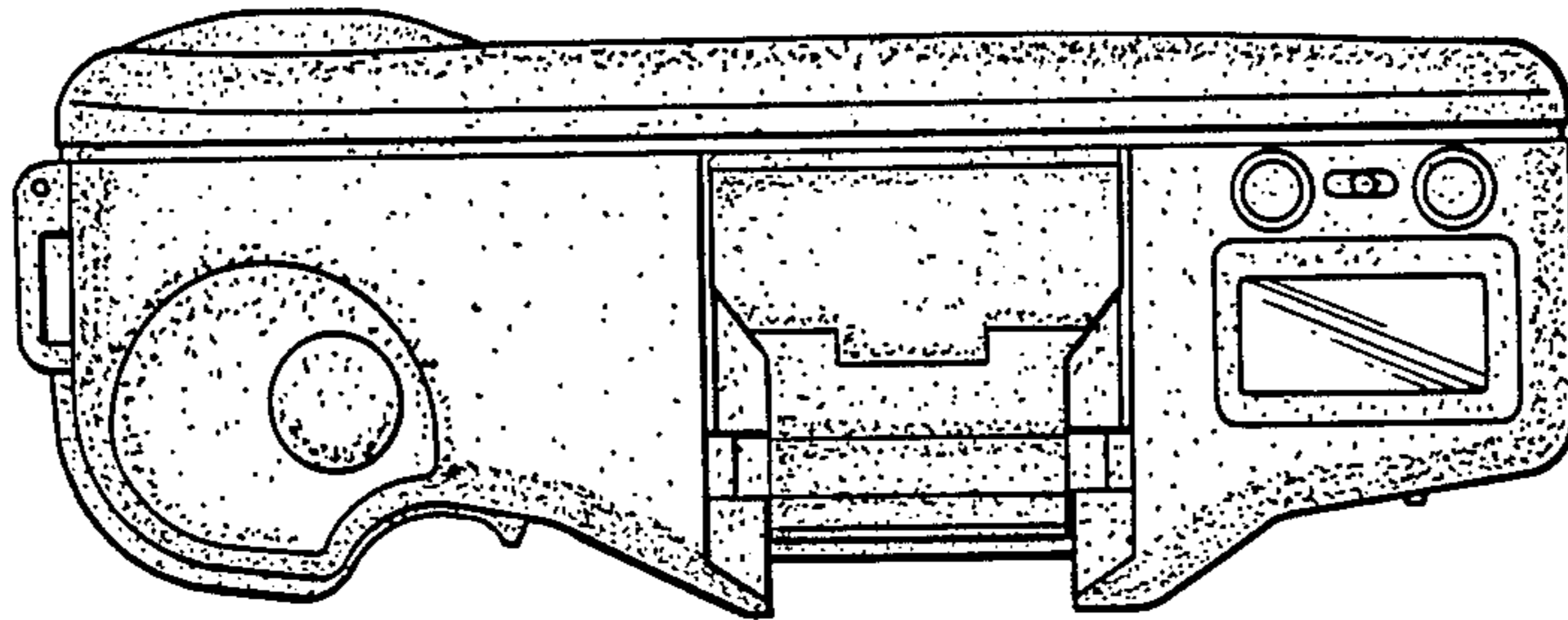


FIG. 6

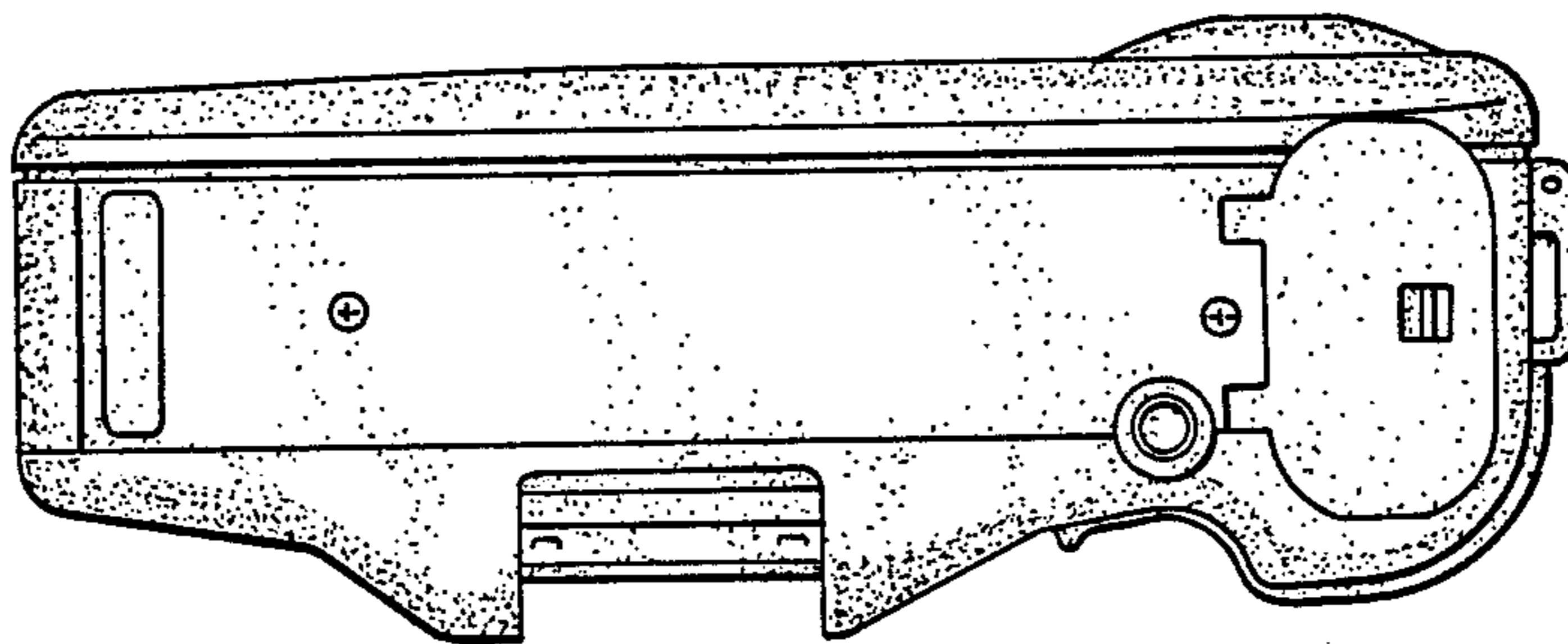


FIG. 7

