

[54] CUTTING TORCH GUIDE AND ALIGNMENT DEVICE

4,455,015 6/1984 Larikka ..... D15/144 X  
4,456,228 6/1984 Cable et al. .... D15/144 X

[75] Inventors: Edward H. Hayes; James F. Walker, both of Guntersville, Ala.

Primary Examiner—Bruce W. Dunkins  
Assistant Examiner—Jeffrey Asch  
Attorney, Agent, or Firm—C. A. Phillips

[73] Assignee: North Alabama Pipe Corporation, Guntersville, Ala.

[57] CLAIM

[\*\*] Term: 14 Years

The ornamental design for a cutting torch guide and alignment device, as shown and described.

[21] Appl. No.: 177,024

DESCRIPTION

[22] Filed: Apr. 4, 1988

[52] U.S. Cl. .... D15/127; D15/144; D15/144.1

[58] Field of Search ..... D15/144, 144.1, 127; 266/54, 50

FIG. 1 is a front perspective view of a cutting torch guide and alignment device showing our new design, with a cutting torch shown in broken lines for illustrative purposes only;

FIG. 2 is a right side perspective view;

FIG. 3 is a bottom perspective view;

FIG. 4 is a left side perspective view; and

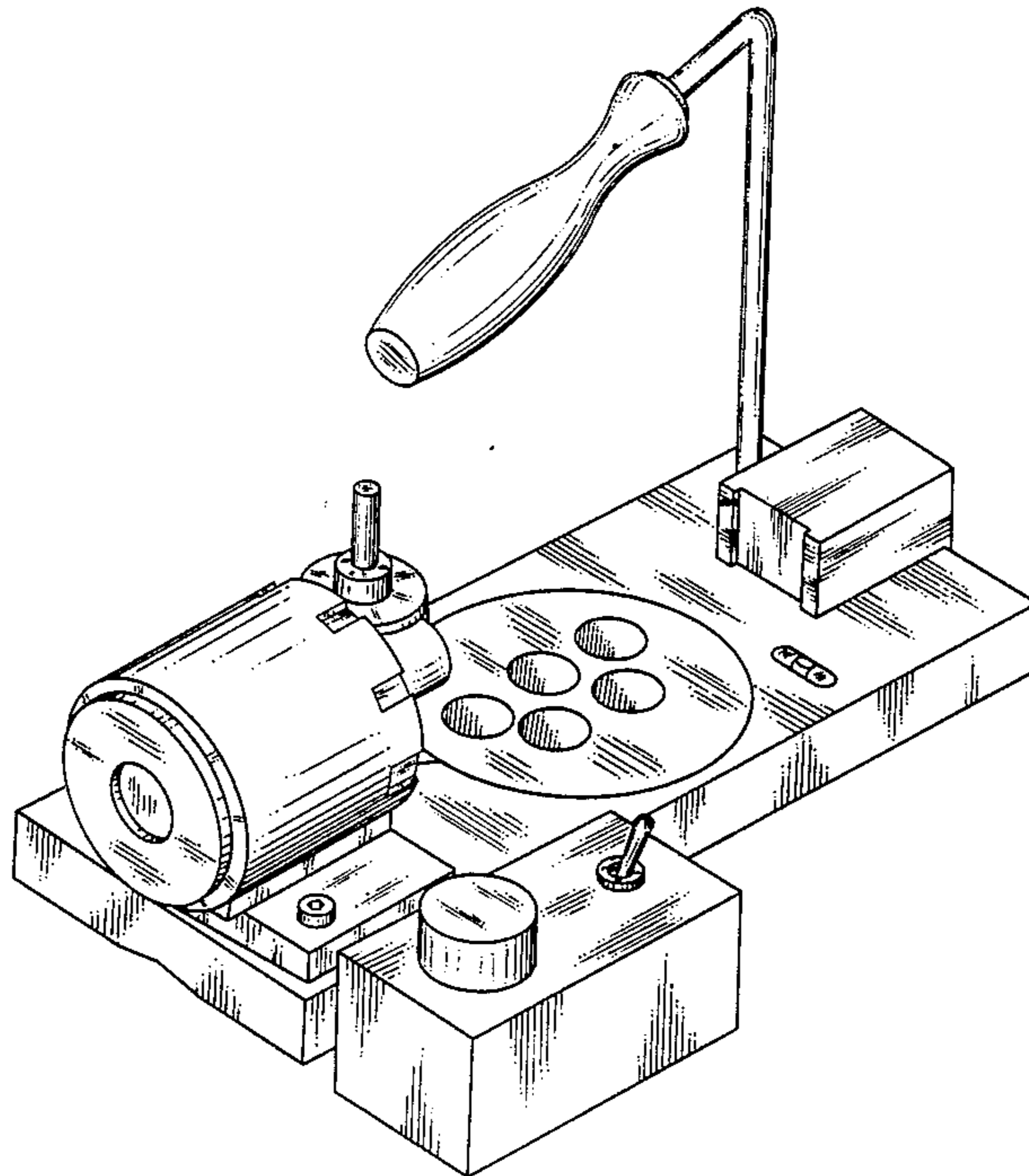
FIG. 5 is a front and left side perspective view thereof.

The rear is conventional in appearance.

[56] References Cited

U.S. PATENT DOCUMENTS

D. 281,250 11/1985 Johnson et al. .... D15/144



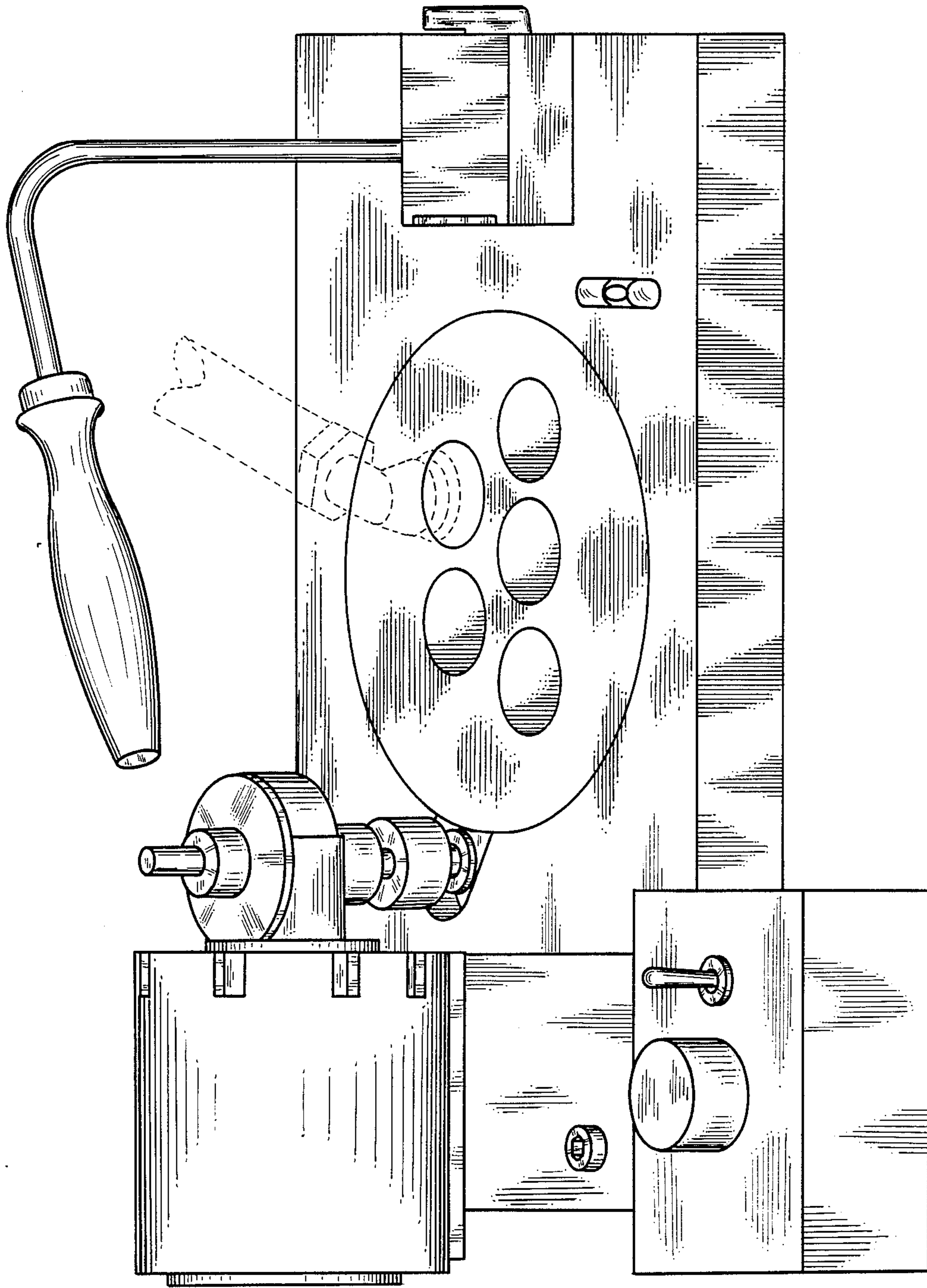


FIG. 1

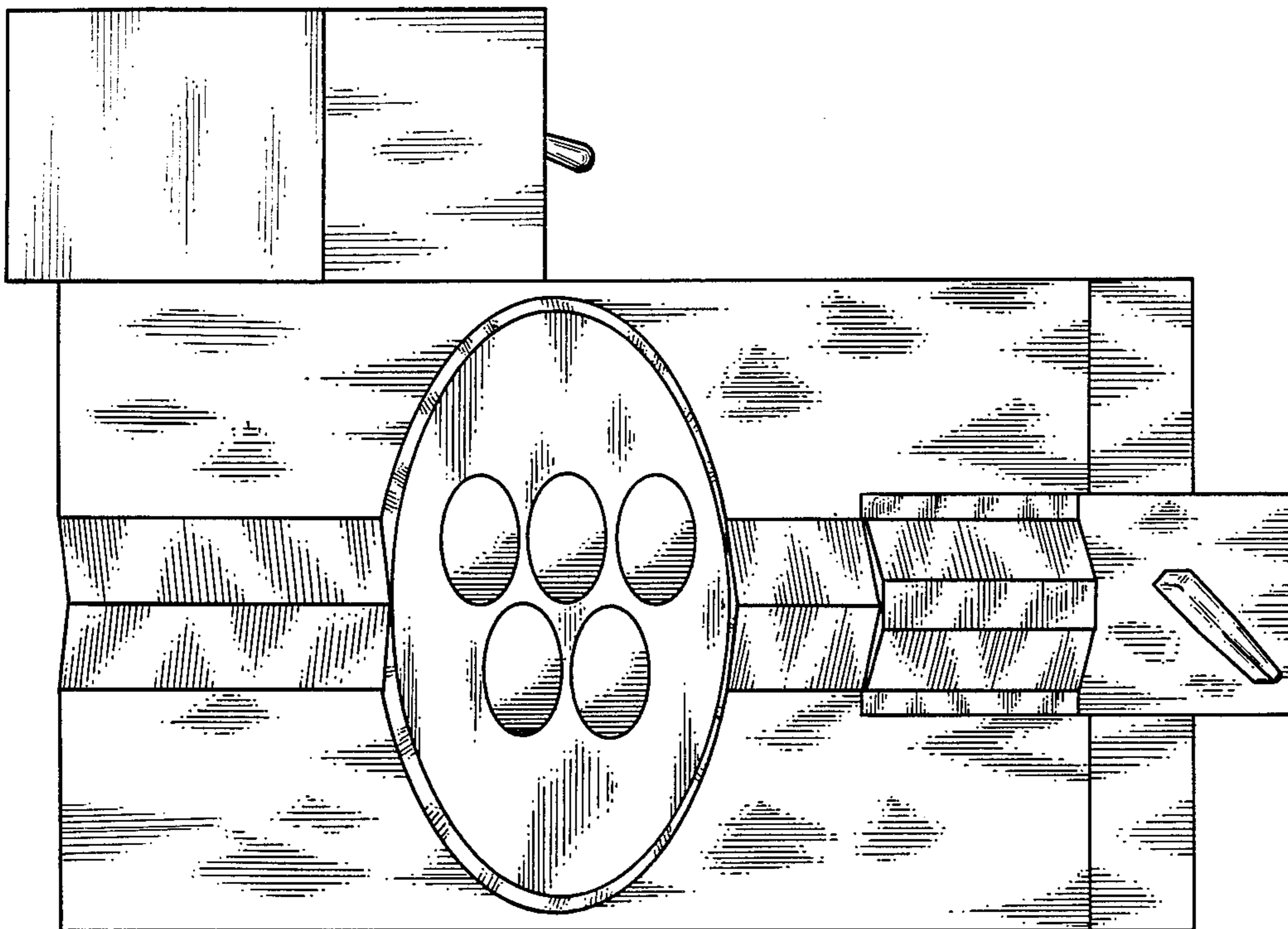


FIG. 3

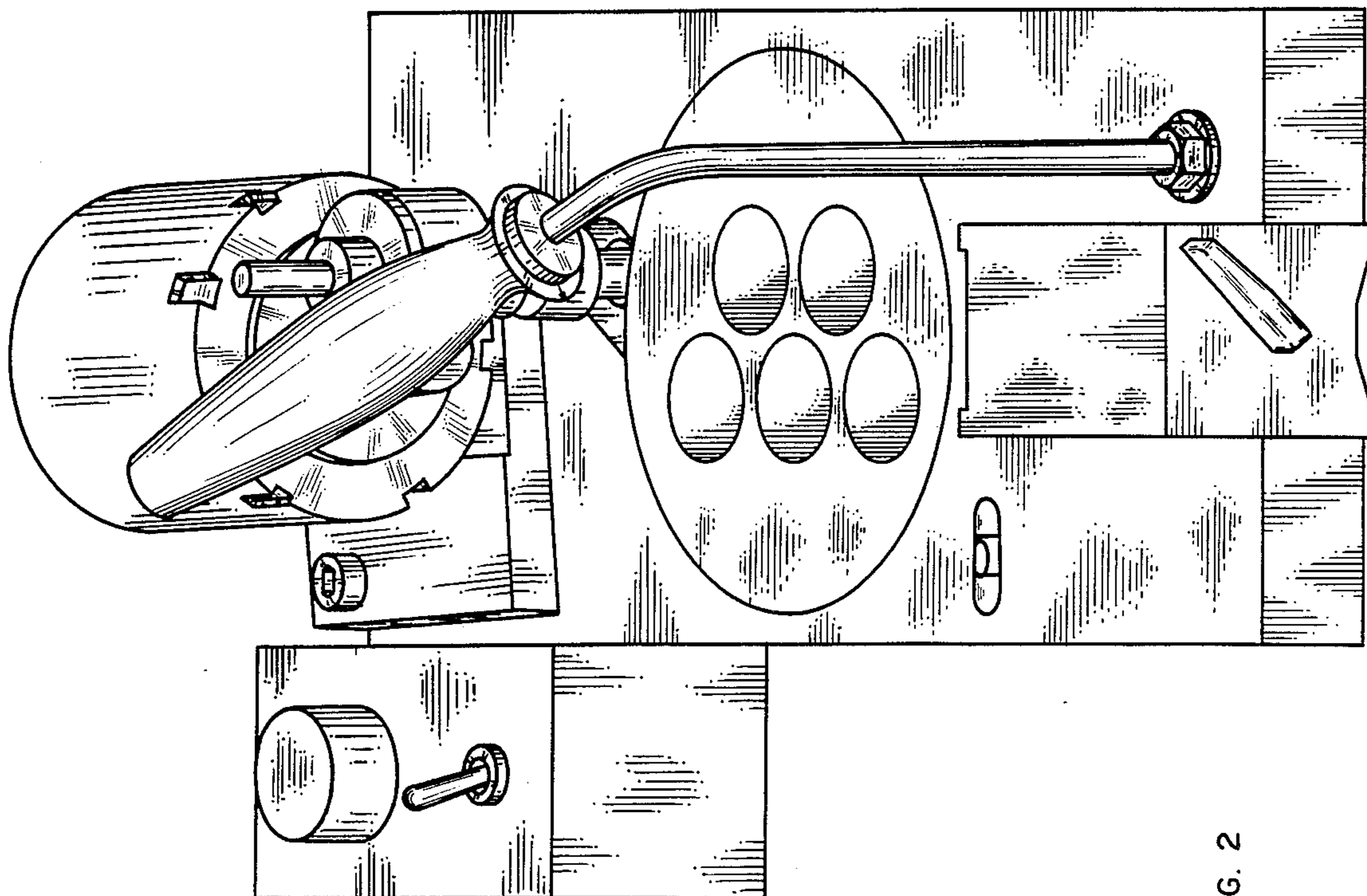


FIG. 2



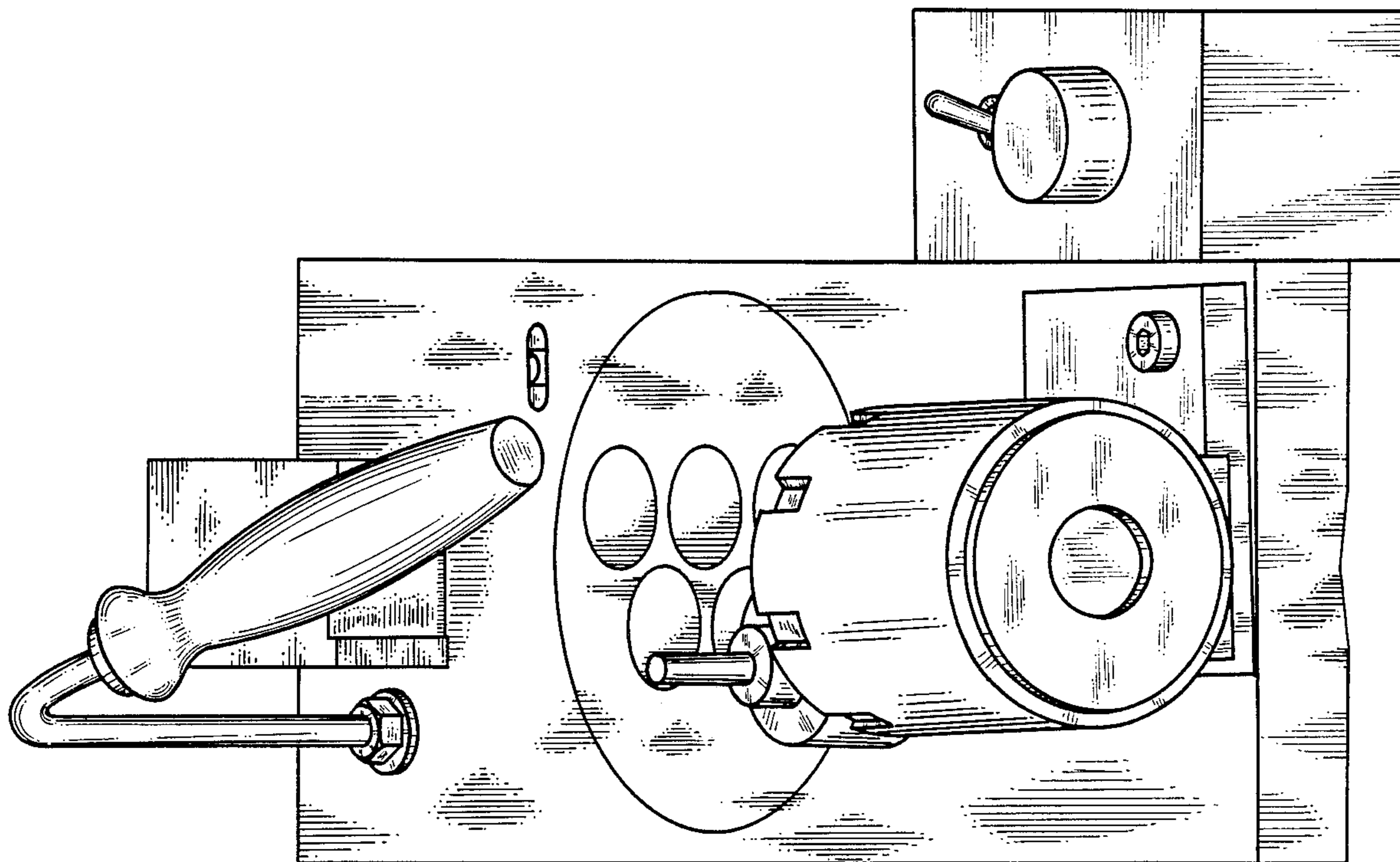


FIG. 4

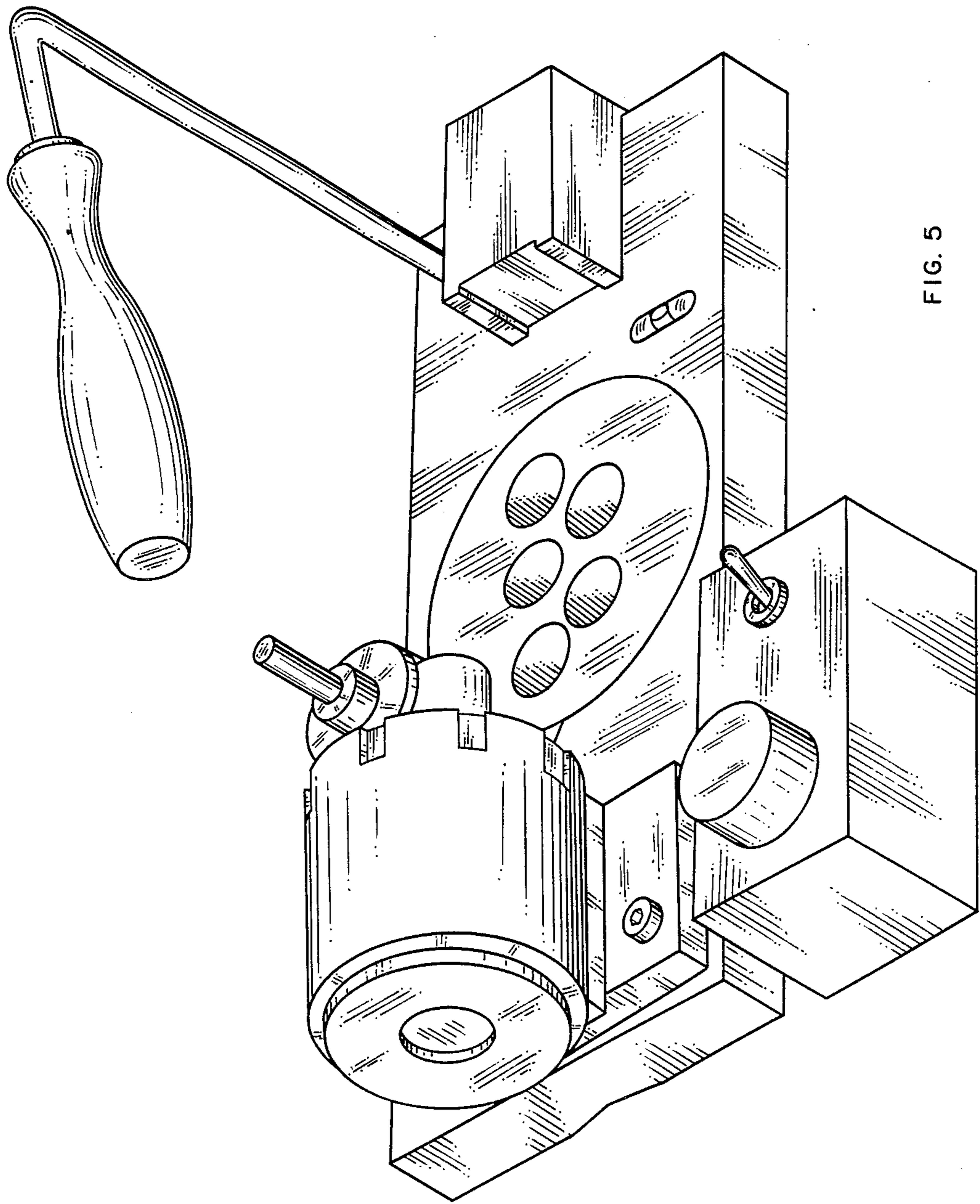


FIG. 5