

[54] ENGINE HOOD

[75] Inventors: James E. Hardzinski, Horicon; Daniel A. Sebben, West Bend; Kenneth E. Herren, Beaver Dam, all of Wis.; William E. Crookes, Waldwick, N.J.; Daniel R. Nickles, Monroe, N.Y.

[73] Assignee: Deere & Company, Moline, Ill.

[\*\*] Term: 14 Years

[21] Appl. No.: 285,881

[22] Filed: Dec. 15, 1988

[52] U.S. Cl. .... D15/17; D15/31

[58] Field of Search ..... D15/14, 15, 16, 17, D15/23, 28, 31; 56/134, 16.7, 202, 320.1, 320.2, 255; 180/89.1, 89.12, 900

[56] References Cited

U.S. PATENT DOCUMENTS

D. 256,585	8/1980	Hoffmeyer et al. ....	180/89.1
D. 270,351	8/1983	Montgomery et al. ....	D15/31
D. 297,330	8/1988	Monehaie et al. ....	D15/31

OTHER PUBLICATIONS

Lawn Tractors & Riding Mowers, John Deere for 1983, published by Deere & Company, Moline, Illinois, issued 1982.

John Deere Lawn Tractors, published by Deere & Company, Moline, Illinois, issued approximately 1987.

John Deere Lawn & Garden Tractors, published by Deere & Company, Moline, Illinois, issued approximately 1987.

Primary Examiner—B. J. Bullock  
Assistant Examiner—Sandra Morris

[57] CLAIM

The ornamental design for an engine hood, as shown and described.

DESCRIPTION

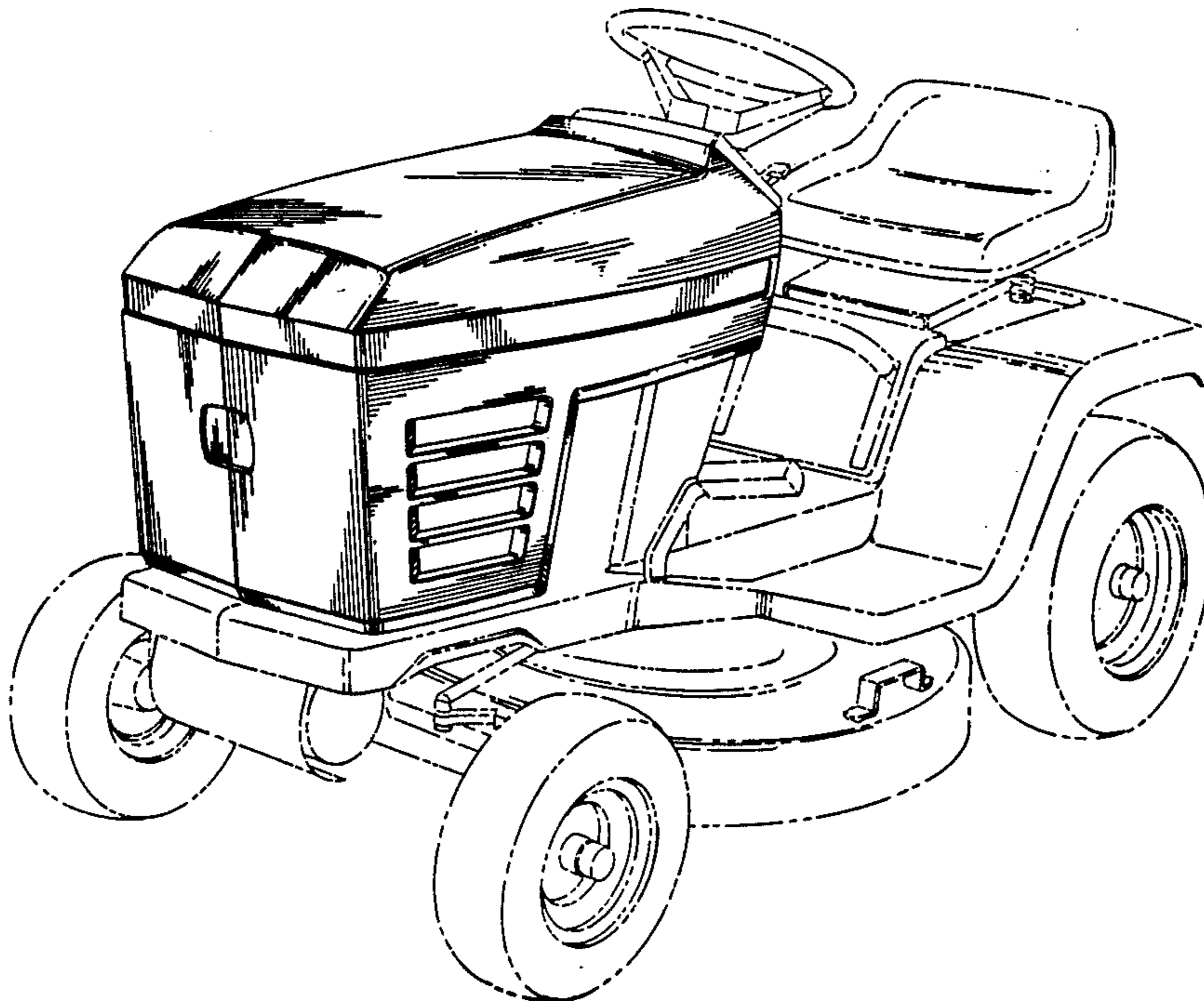
FIG. 1 is a perspective view of an engine hood, showing our new design the, vehicle shown in broken lines is for illustrative purposes only and forms no part of the claimed design;

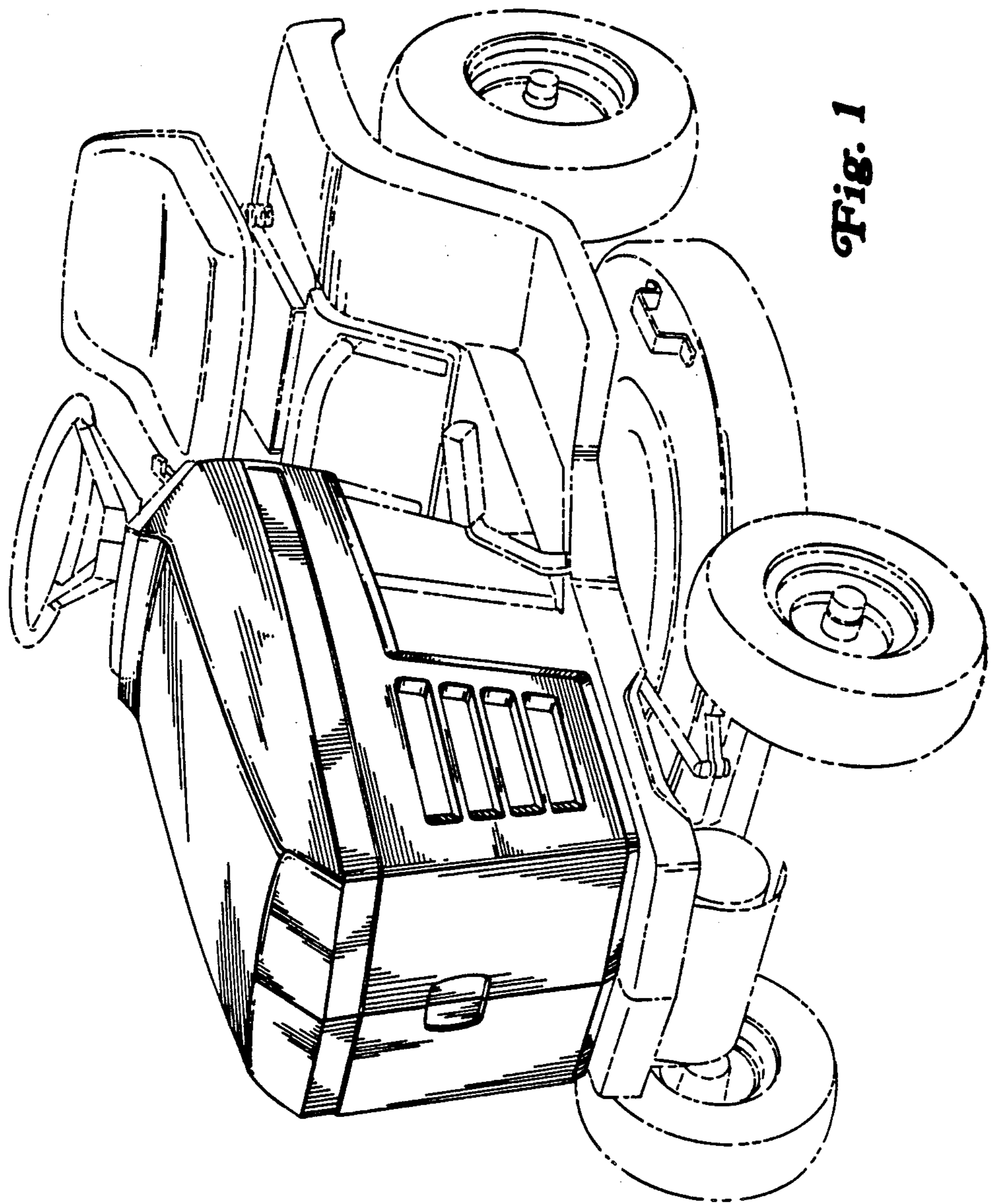
FIG. 2 is a left side elevational view thereof;

FIG. 3 is a top plan view thereof;

FIG. 4 is a front elevational view thereof;

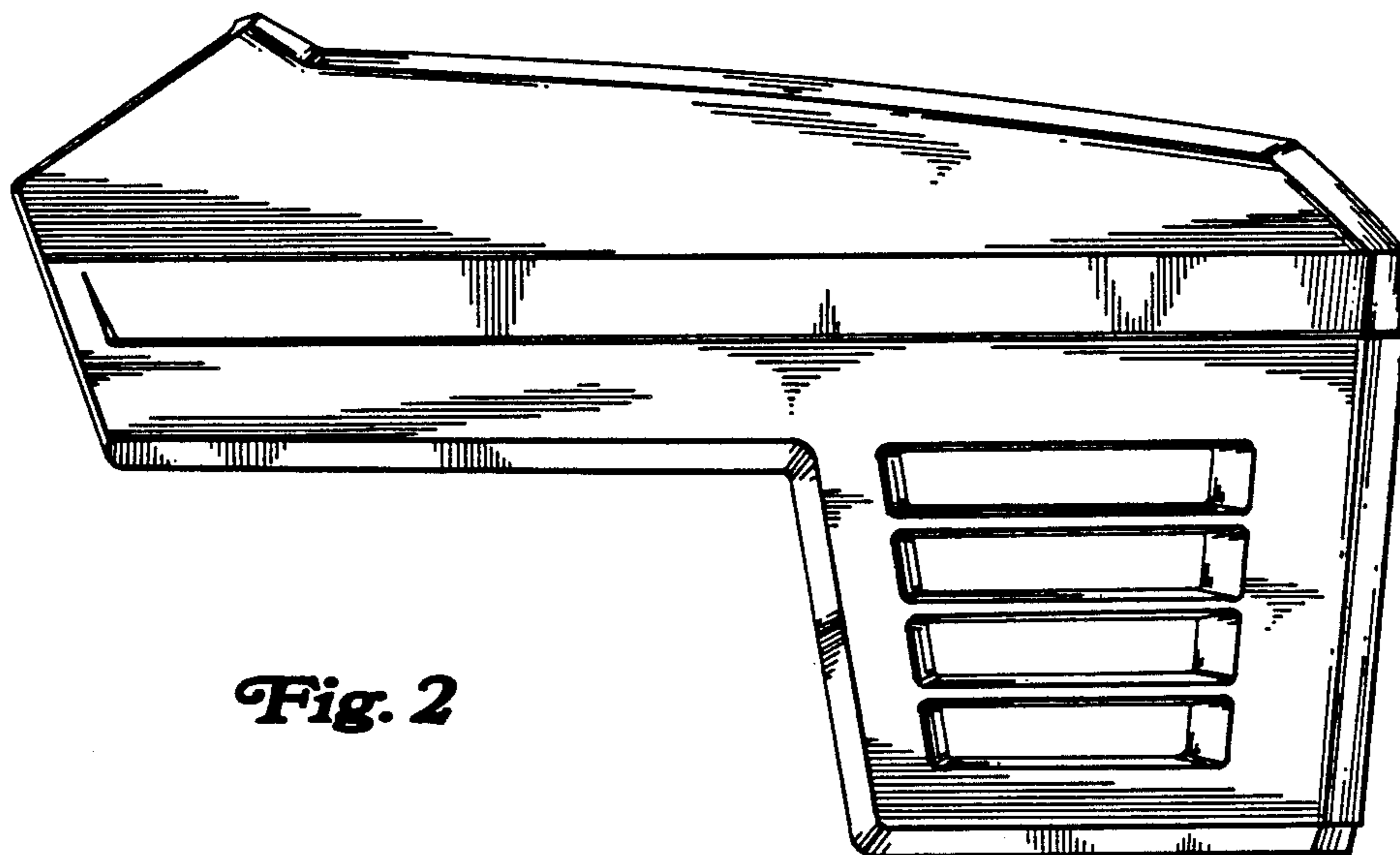
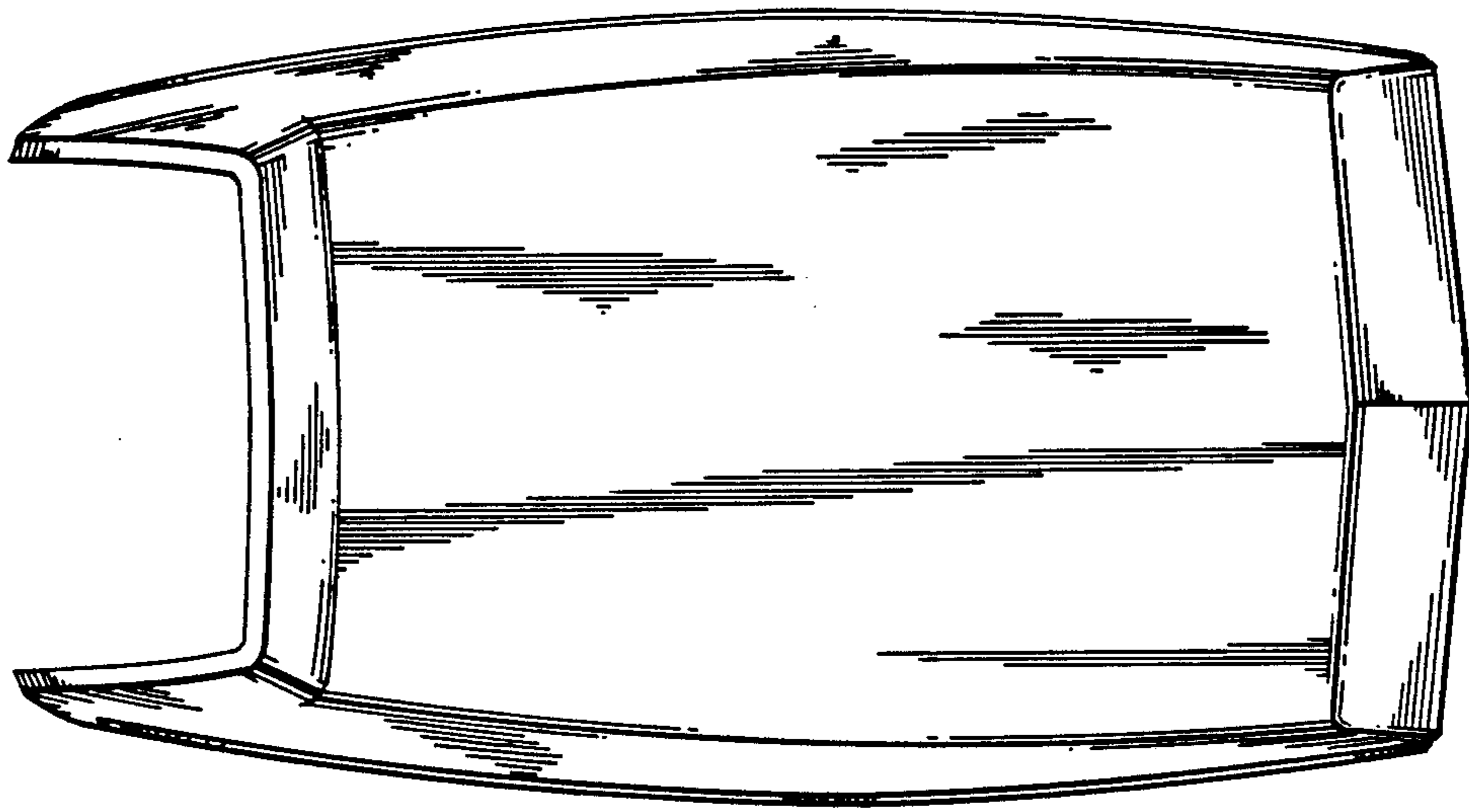
FIG. 5 is a rear elevational view thereof.





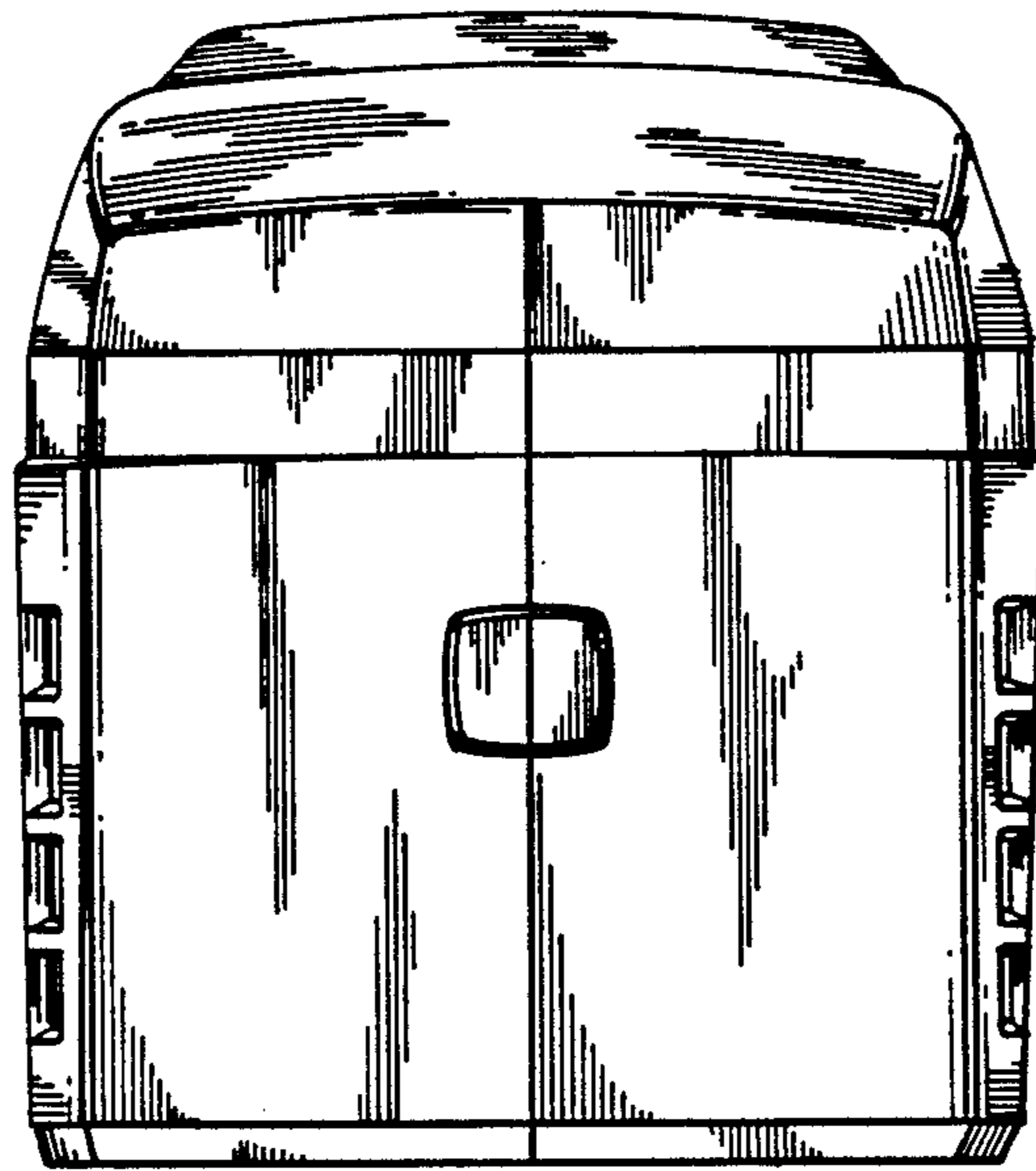
**Fig. 1**

**Fig. 3**



**Fig. 2**

*Fig. 4*



*Fig. 5*

