

[54] **TELEPHONE HANDSET**

[76] **Inventor: Kevin J. Corneliess, 261 Barkley Ave., Clifton, N.J. 07011**

[**] **Term: 14 Years**

[21] **Appl. No.: 337,540**

[22] **Filed: Apr. 14, 1989**

[52] **U.S. Cl. D14/248**

[58] **Field of Search D14/248, 151, 150, 149, D14/143; D21/111; 379/433, 440, 436, 434, 428**

[56] **References Cited**

U.S. PATENT DOCUMENTS

D. 151,614	11/1948	Dreyfuss	D14/248
D. 152,162	12/1948	Knup, Jr.	D14/248
D. 250,023	10/1978	Perkins et al.	D21/111 X
D. 268,428	3/1983	Ozawa	D21/111
D. 270,260	8/1983	Appel et al.	D21/111
D. 297,638	9/1988	Chou	D14/150
2,098,402	11/1937	Reifsteck	379/433
2,123,177	7/1938	Blount	379/433
2,298,207	10/1942	Gent	379/433 X
2,405,543	8/1946	Blomberg	379/433
2,475,303	7/1949	Allen et al.	D14/248 X
2,482,148	9/1949	Beckman et al.	379/433 X

2,489,425	11/1949	Levitt	D14/248 X
4,158,931	6/1977	Terzion	D14/143 X
4,220,829	9/1980	Ruzic	379/440
4,782,527	11/1988	Williamson	379/433

FOREIGN PATENT DOCUMENTS

861122	1/1939	France	379/433
1541794	10/1968	France	379/433

OTHER PUBLICATIONS

Gerber telephone toy line "Talk Back Phone": Model No. 300, 3/10/66.

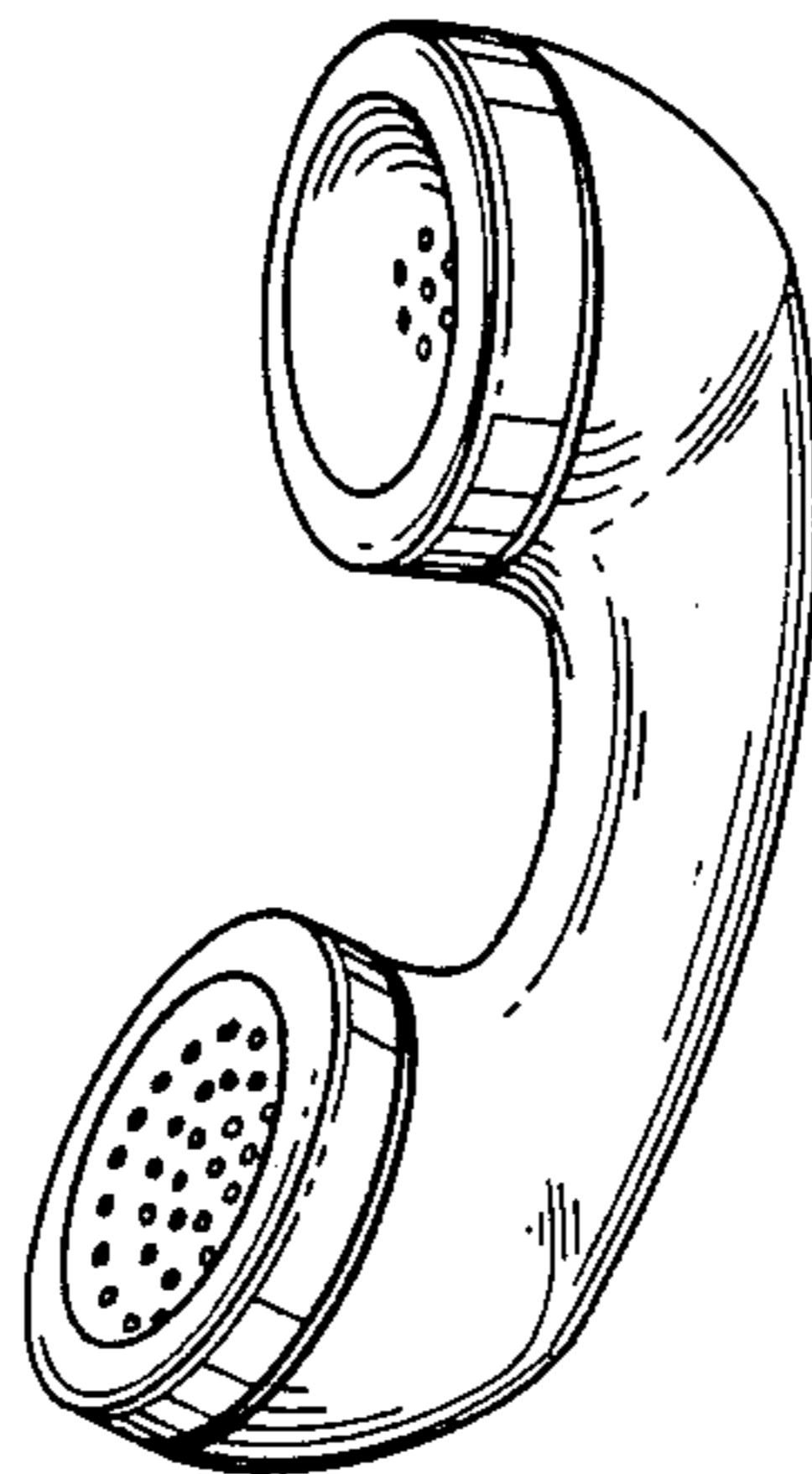
Primary Examiner—Horace B. Fay, Jr.
Attorney, Agent, or Firm—Melvin K. Silverman

[57] **CLAIM**

The ornamental design for a telephone handset, as shown and described.

DESCRIPTION

FIG. 1 is a front, top and right side perspective view of a telephone handset showing my new design;
FIG. 2 is a front elevational view thereof;
FIG. 3 is a side elevational view thereof, the side opposite being a mirror image;
FIG. 4 is a rear elevational view thereof; and
FIGS. 5 and 6 are respectively end views thereof, and the view of the end opposite to it.



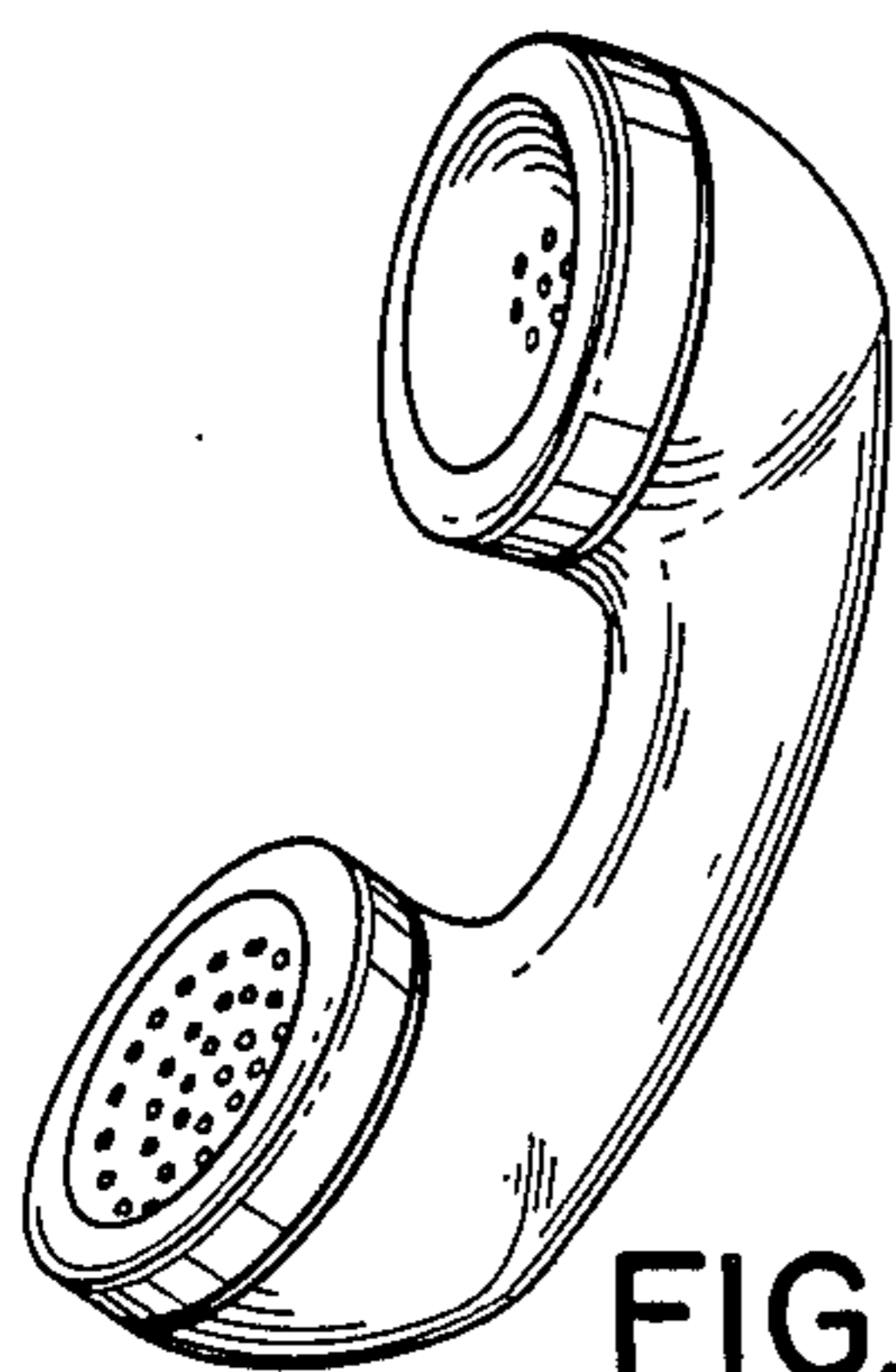


FIG. 1

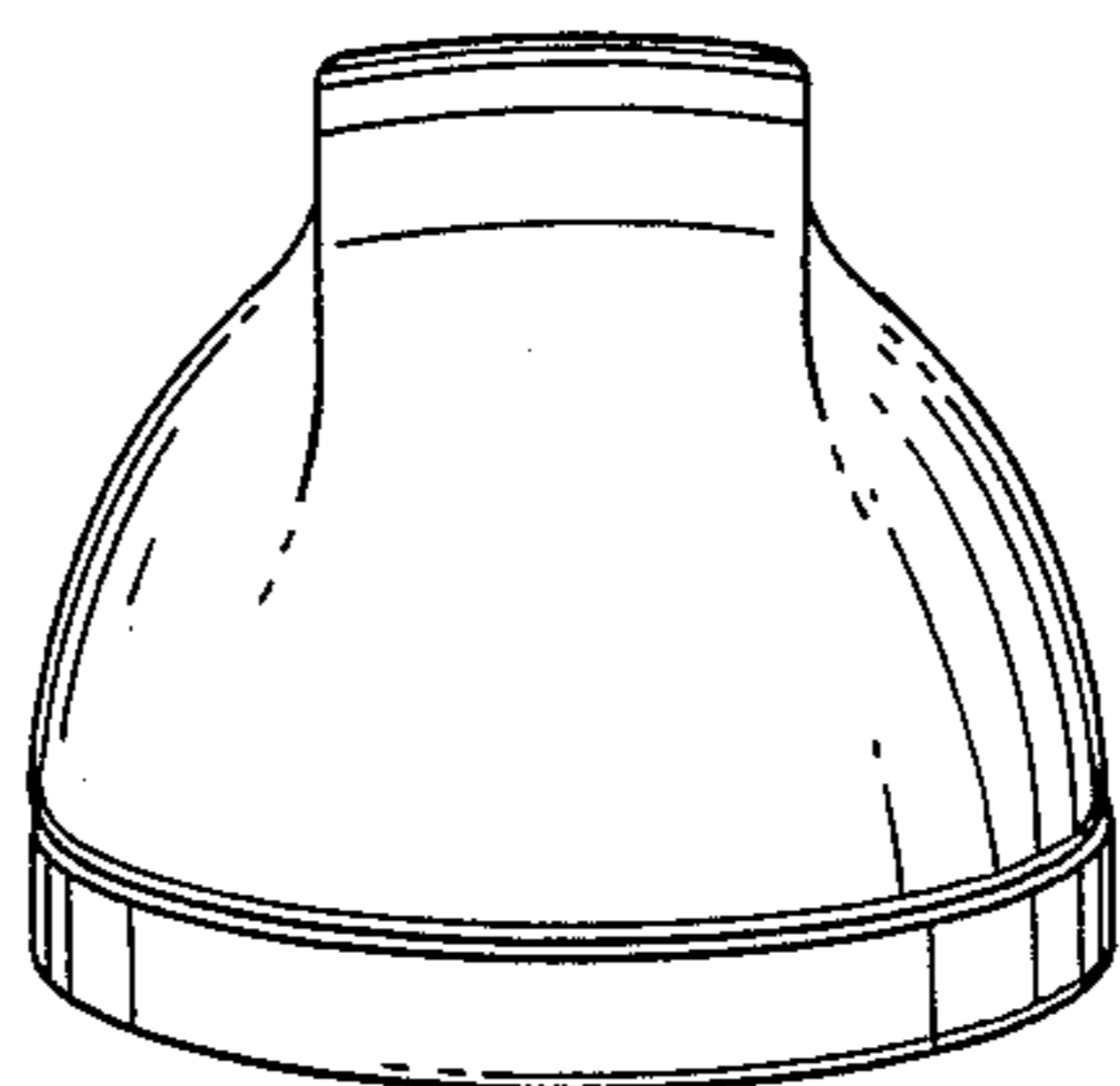


FIG. 5

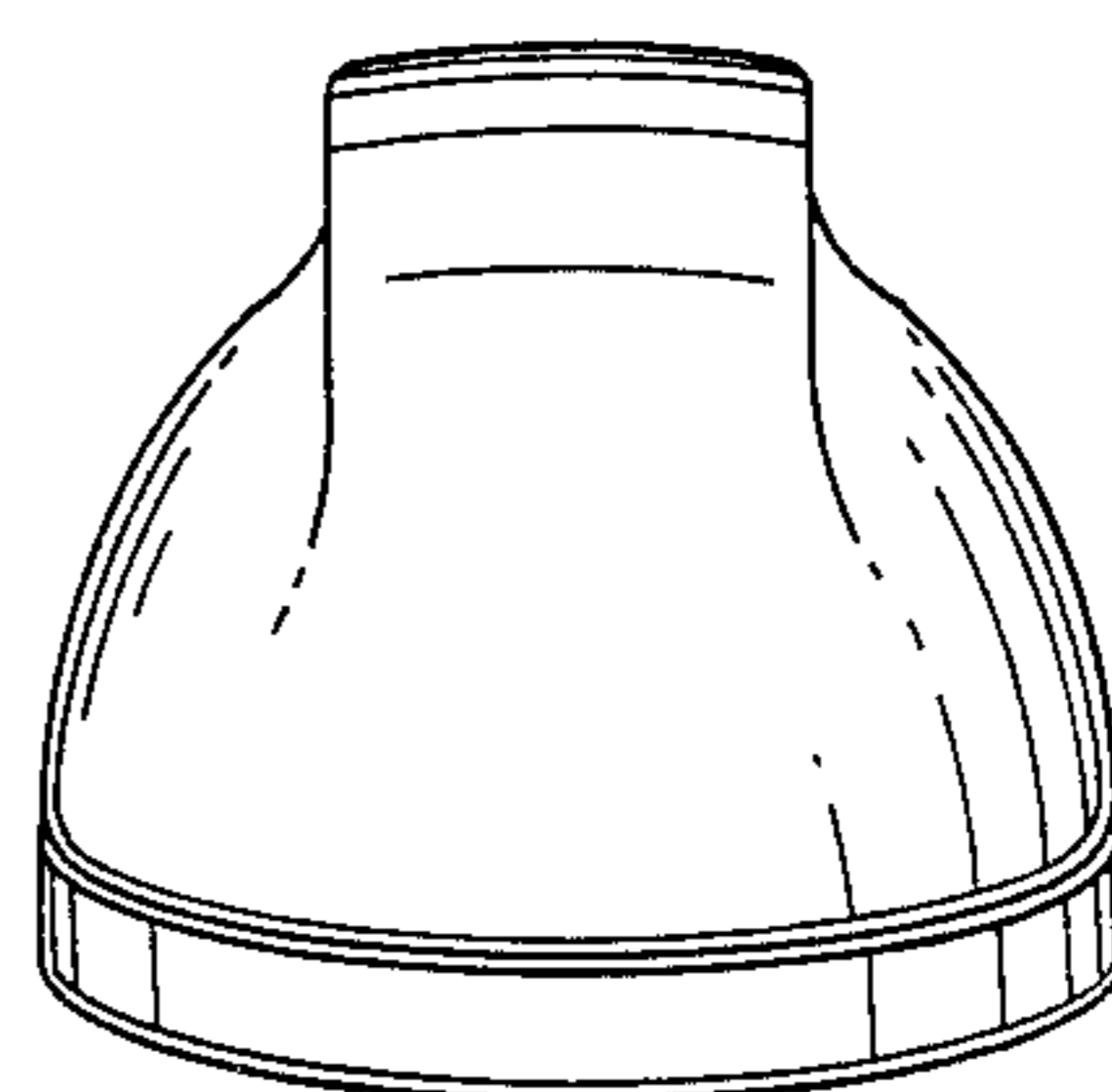


FIG. 6

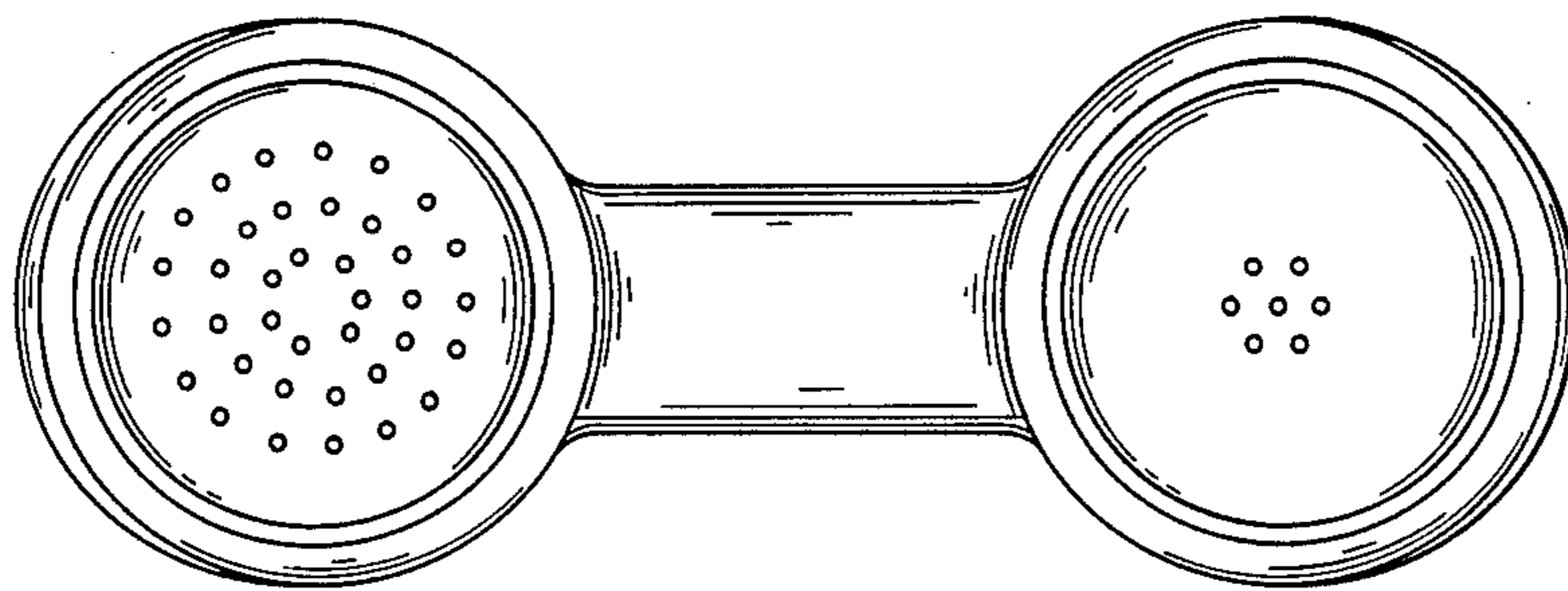


FIG. 2

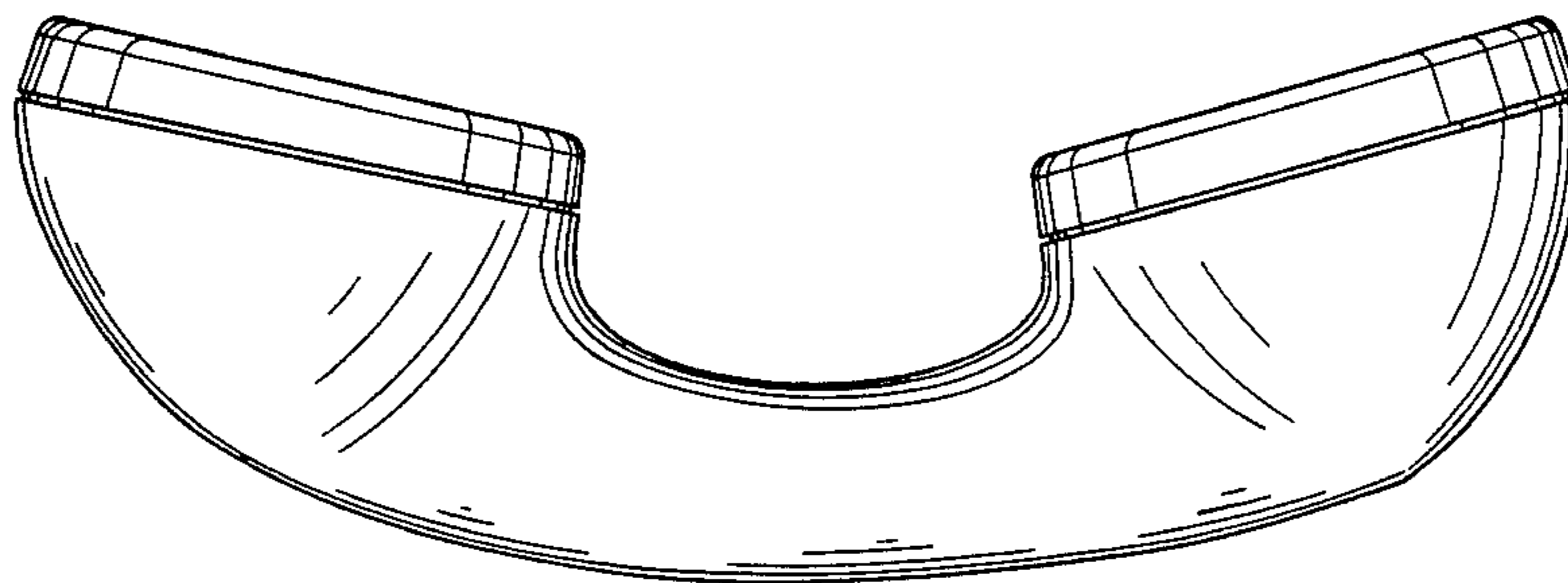


FIG. 3

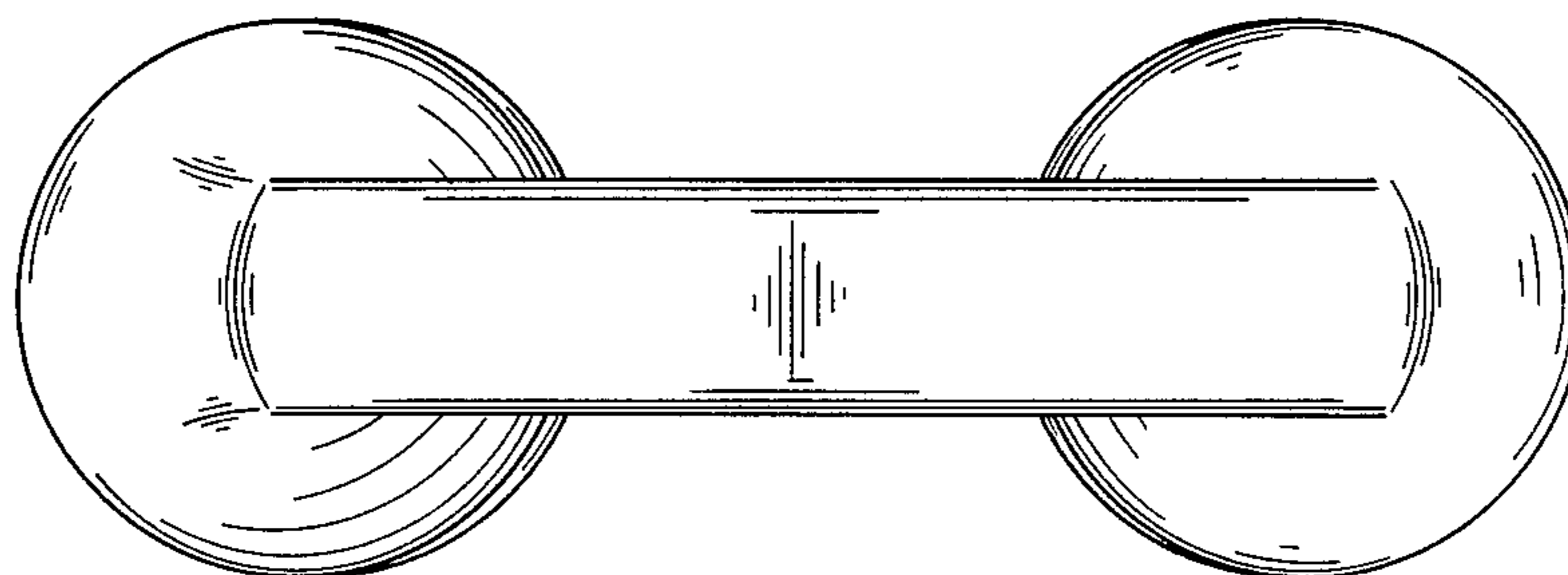


FIG. 4