

[54] **ELECTRONIC COMPUTER**
 [75] **Inventors: Yoshihiko Sugano; Masahiko Tabuchi, both of Tokyo, Japan**
 [73] **Assignee: Kabushiki Kaisha Toshiba, Kanagawa, Japan**
 [**] **Term: 14 Years**
 [21] **Appl. No.: 80,683**
 [22] **Filed: Aug. 3, 1987**

[30] **Foreign Application Priority Data**
 Feb. 13, 1987 [JP] Japan 62-5029
 [52] **U.S. Cl. D14/106**
 [58] **Field of Search D14/100-117; D18/1, 7, 11, 12; D13/40, 41; 340/700, 706, 711, 712; 341/22, 23; 358/248, 249, 254; 312/7.2, 208; 235/145 A, 145 R; 364/706, 708-710; 400/472, 489, 492, 496, 682; 360/99.02**

[56] **References Cited**
U.S. PATENT DOCUMENTS

- D. 221,002 6/1971 Bachman .
- D. 222,472 10/1971 Jacobson .
- D. 224,784 7/1972 Sucre et al. .
- D. 247,563 3/1978 Jinbo et al. .
- D. 254,005 1/1980 Zadock et al. .
- D. 258,957 4/1981 Bevilacqua et al. .
- D. 275,102 8/1984 MacConnel .
- D. 280,511 9/1985 Moggridge et al. .
- D. 282,843 3/1986 Kurihara et al. .
- D. 283,511 4/1986 Dunn .
- D. 283,824 5/1986 Takada D14/111 X
- D. 284,193 6/1986 Marshall .
- D. 284,474 7/1986 Sawada .
- D. 287,969 1/1987 Kusanagi .
- D. 288,566 3/1987 Chin et al. .
- D. 289,177 4/1987 Sawada .
- D. 290,256 6/1987 Sapper et al. .
- D. 290,845 7/1987 Yubisui et al. .
- D. 291,442 8/1987 Kurihara .
- D. 293,677 1/1988 Hara et al. .
- D. 293,678 1/1988 Sawatani et al. .
- D. 293,681 1/1988 Yamada D14/111
- D. 294,029 2/1988 Nishiyama et al. .
- D. 294,831 3/1988 Hara et al. .

- D. 295,176 4/1988 Nishimoto et al. .
- D. 299,031 12/1988 Sugano D14/106
- 2,897,763 6/1987 Fujii et al. .
- 4,739,316 4/1988 Yamaguchi et al. 312/208 X

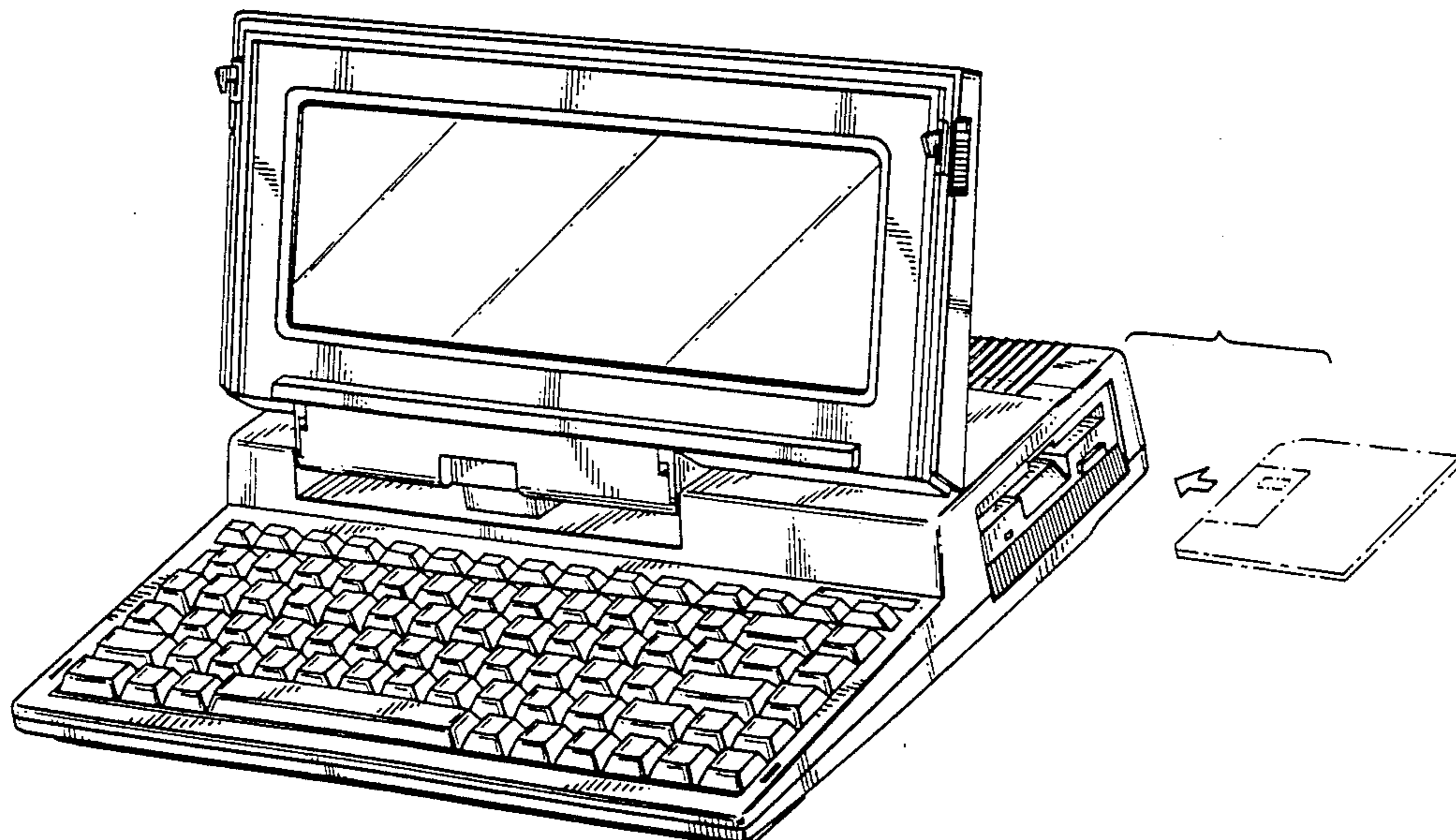
FOREIGN PATENT DOCUMENTS

- 47-14961 5/1972 Japan .
- 650450 5/1975 Japan .
- 499866 4/1979 Japan .
- 599666 4/1983 Japan .
- 664175 10/1985 Japan .
- 684172 8/1986 Japan .
- 684172 8/1986 Japan .
- 685000 8/1986 Japan .
- 685063 8/1986 Japan .
- 685121 8/1986 Japan .
- 685733 8/1986 Japan .
- 686374 9/1986 Japan .
- 686381 9/1986 Japan .
- 686386 9/1986 Japan .
- 686706 9/1986 Japan .
- 696199 9/1986 Japan .
- 685000 12/1986 Japan .
- 695931 12/1986 Japan .
- 696188 1/1987 Japan .
- 697328 1/1987 Japan .
- 685121 10/1988 Japan .
- 672978 2/1987 Rep. of Korea .
- 85-2546 1/1987 Sweden .
- 85-2547 1/1987 Sweden .

OTHER PUBLICATIONS

- Sharp "Character Display" Article, 05/18/76.
- Fanuc System P-Mode, 07/27/83.
- Moebel Interior Design, 01/05/84.
- Micro Office Systems "Road Runner", 01/31/84.
- Demus 645, 02/22/84.
- Design 423, 05/08/84.
- Epson HC-88, 07/04/84.
- Dulmont Model Magnum, 08/00/84.
- Apple Computer, 10/15/84.
- Tando 200, 00/00/85.
- General Corporation 4400, 01/14/85.
- Drawing J60007802, 02/26/85.
- Aval TM 20, 03/08/85.
- C & D News, 03/29/85.
- Hewlett-Packard HP110, 04/00/85.
- Sharp PC5000, 04/00/85.

(List continued on next page.)



OTHER PUBLICATIONS

Data General One Advertisement, 05/23/85.
 Minato Electronics MODS-5000, 08/22/85.
 GridCase, 09/24/85.
 Hewlett-Packard Portable Plus, 12/00/85.
 Apple IIC, 12/00/85.
 Fuji Line Motor FLM 700, 01/31/86.
 MRD Advertisement, 03/29/84.
 Gavilan Mobile Computer Brochure, 04/19/84.
 Hewlett-Packard Advertisement, 05/18/84.
 Hewlett-Packard Advertisement, 06/05/84.
 Hitachi Advertisement, 09/04/84.
 Hewlett-Packard Advertisement, 09/12/84.
 Sharp PC-5000 Brochure, 09/26/84.
 Data General One Advertisement, 09/28/84.
 IS-11c Advertisement, 11/14/84.
 Dulmont Magnum Article in Portable Computer, 11/00/84.
 Fujitsu Computer Advertisement, 11/00/84.
 IBM Advertisement, 12/06/84.
 AVAL TM Advertisement, 02/11/85.
 NEC Starlet PC-8401A Brochure, 03/28/85.
 Data General One Brochure, 05/23/85.
 FBS Advertisement, 10/30/85.
 IBM Advertisement, 11/28/85.
 PC-816F Advertisement, 05/27/86.
 Zenith Data Systems NEWSDATE Newsletter, 06/07/86.
 Tandy 600 Advertisement, 07/25/86.
 Ricoh JP70D Brochure, 09/29/86.
 Data General One Brochure, 10/03/86.
 Article re IBM Portable Personal Computer, 10/15/86.
 NEC PC-98LT Advertisement, 10/23/86.
 Yaskawa P-t50 Advertisement, 11/12/86.
 Yaskawa Menocon®—SC GL20 Advertisement, 03/27/87.
 TI Advertisement in Telephony, 04/01/87.
 Visual Computer Brochure.
 Gavilan Mobile Computer Brochure.
 Olivetti Personal Computer M15 Brochure.
 Epson HC-88, HC80 Brochure.
 Epson PX-8 Personal Computer Brochure.
 Mitsubishi mp286L Laptop Personal Computer Brochure.

Grid Brochure.
 Dauphin Laptop Computer Brochure.
 MicroDIRECT Brochure.
 SupersPort Brochure.
 Panasonic KX-D4930 Advertisement.
 Ampere WS-1 Advertisement.
 GridCase Brochure.
 Tandy 200 Advertisement.
 NEC Starlet PC-8401A Advertisement.
 Schneider, Multivision 300SLC Catalog.
 Victor Technologies, V 286 P Catalog.
 Toshiba T1100 Portable Personal Computer (obtained January, 1986).
 Toshiba T1100 Plus Portable Personal Computer (obtained September, 1986).
 Texas Instruments Software Journal Pro Lite (obtained November 14, 1984).
 Fujitsu FM16 Personal Computer (obtained April 17, 1985).

Primary Examiner—Susan J. Lucas
Assistant Examiner—Freda S. Nunn
Attorney, Agent, or Firm—Banner, Birch, McKie & Beckett

[57]

CLAIM

The ornamental design for an electronic computer as shown and described.

DESCRIPTION

FIG. 1 is a top, front, right side perspective view of an Electronic Computer showing our new design, the floppy disk being shown in broken lines for illustrative purposes only;
 FIG. 2 is a front elevational view thereof;
 FIG. 3 is a right side elevational view thereof;
 FIG. 4 is a front elevational view thereof, the display panel in the closed position;
 FIG. 5 is a rear elevational view thereof;
 FIG. 6 is a right side elevational view thereof;
 FIG. 7 is a left side elevational view thereof;
 FIG. 8 is a top plan view thereof; and
 FIG. 9 is a bottom plan view thereof.

FIG. 1

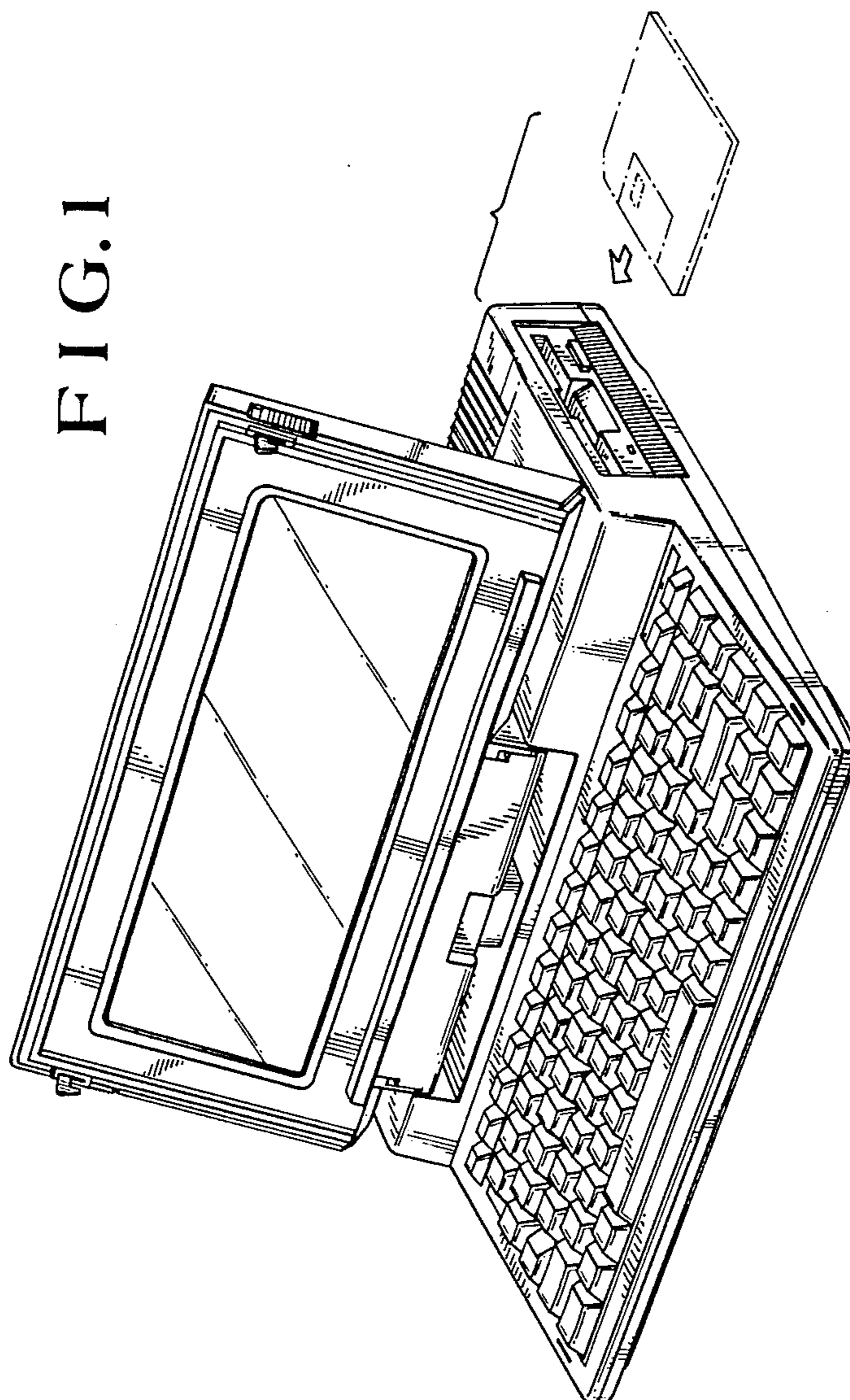


FIG. 2

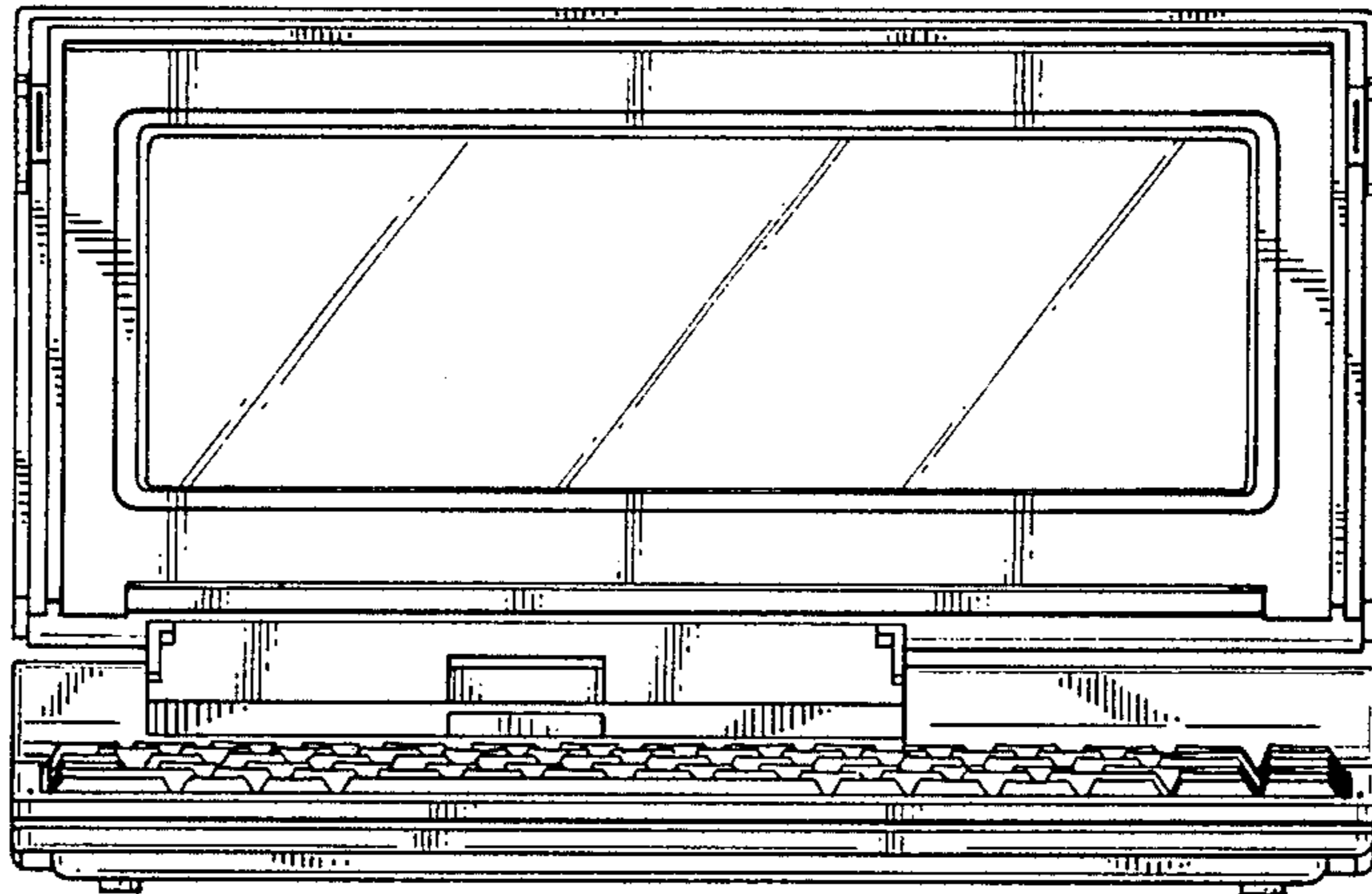


FIG. 3

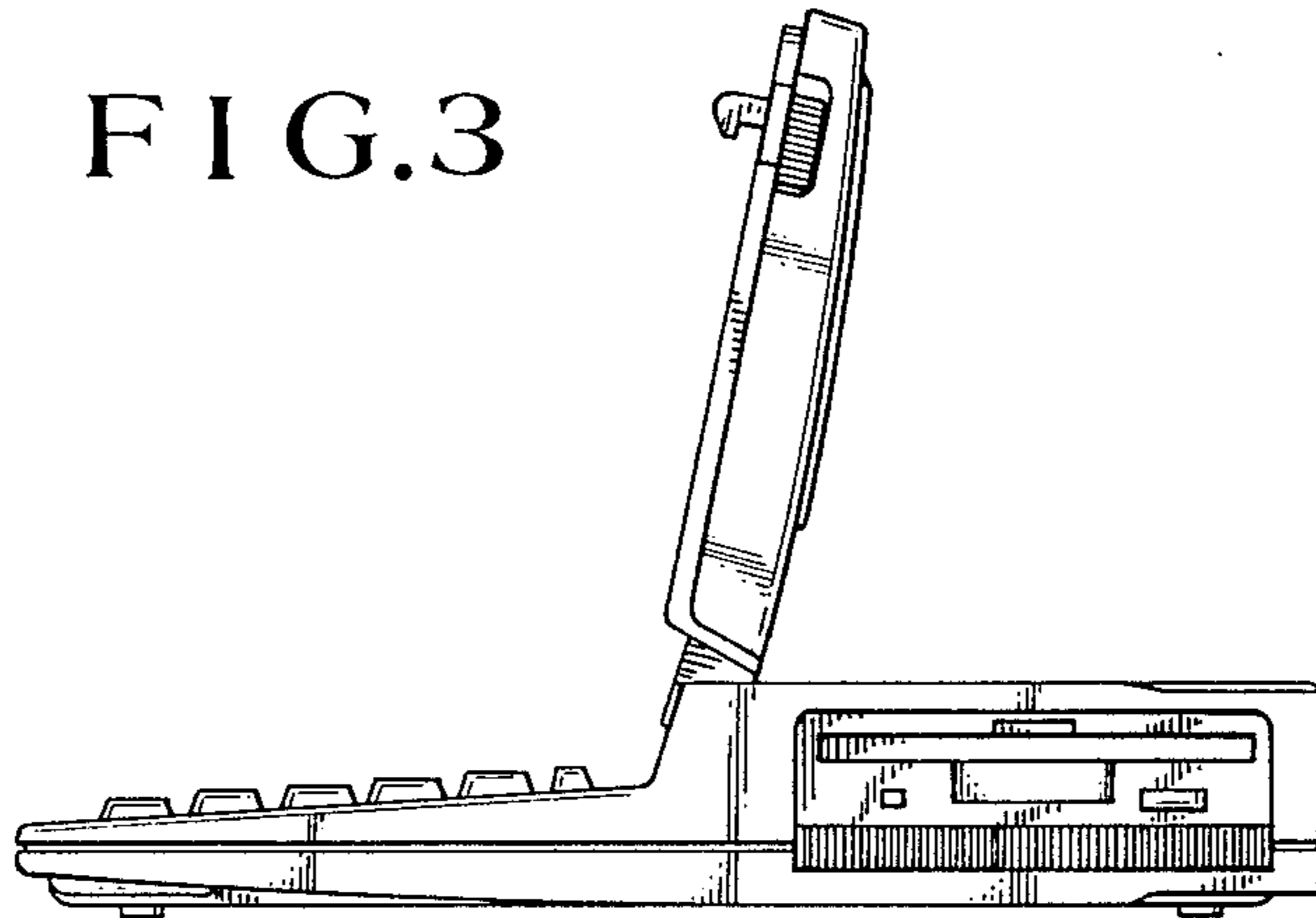


FIG. 4

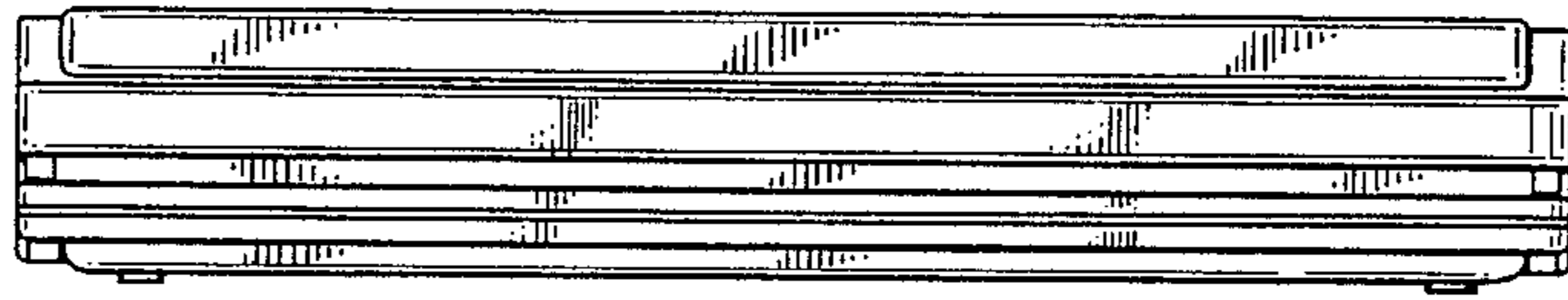


FIG. 5

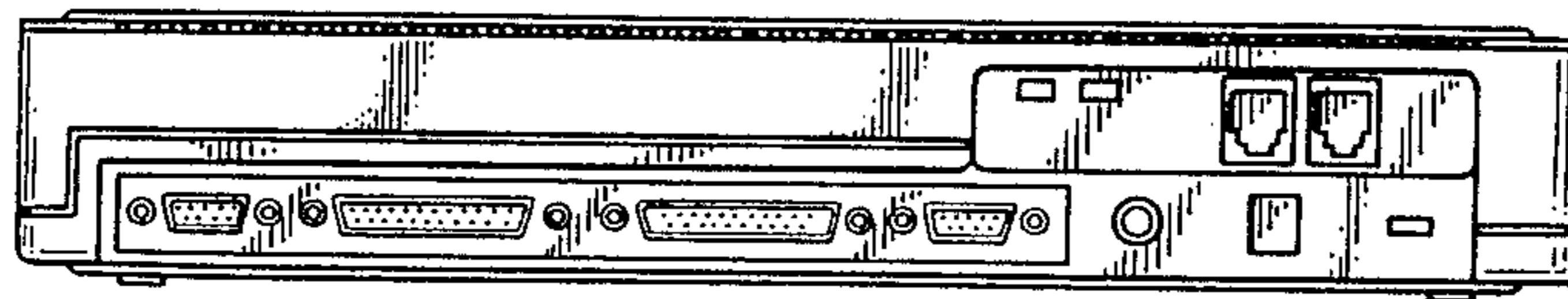


FIG. 6

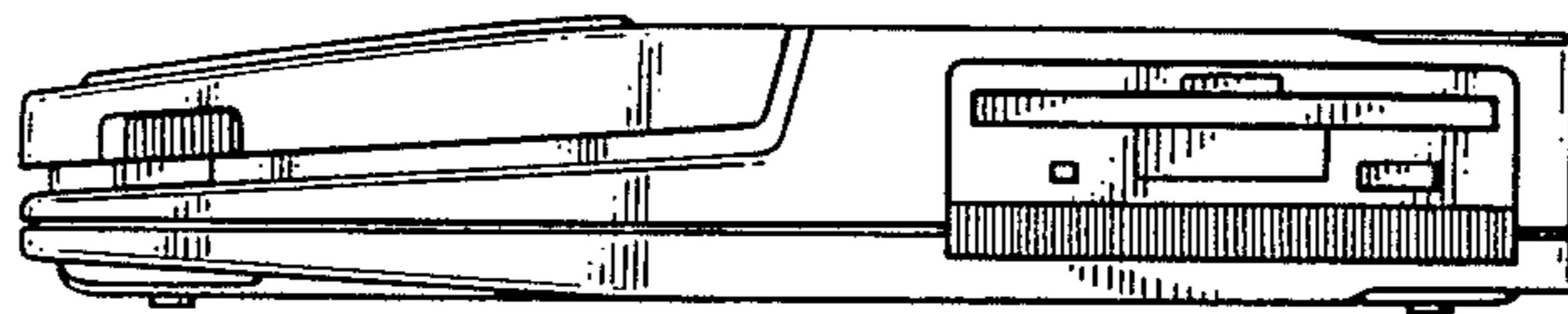


FIG. 7

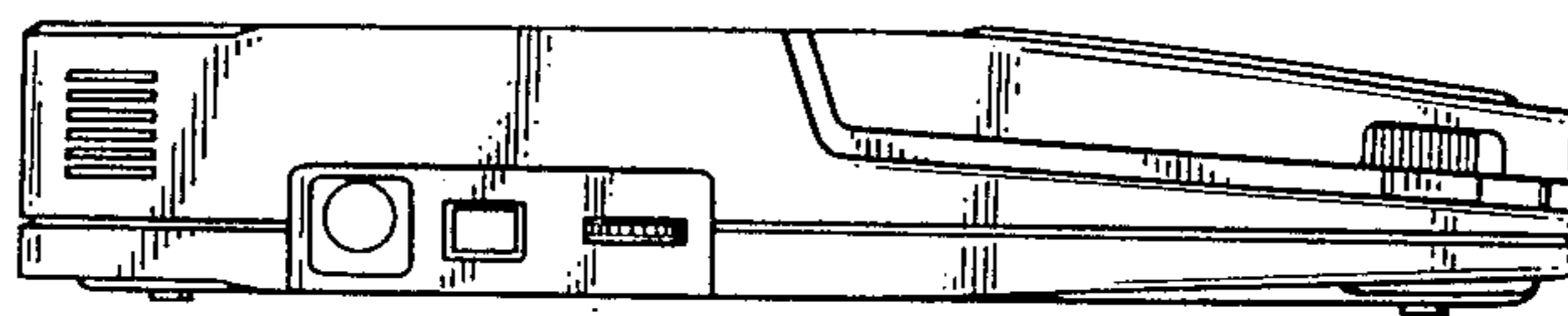


FIG. 8

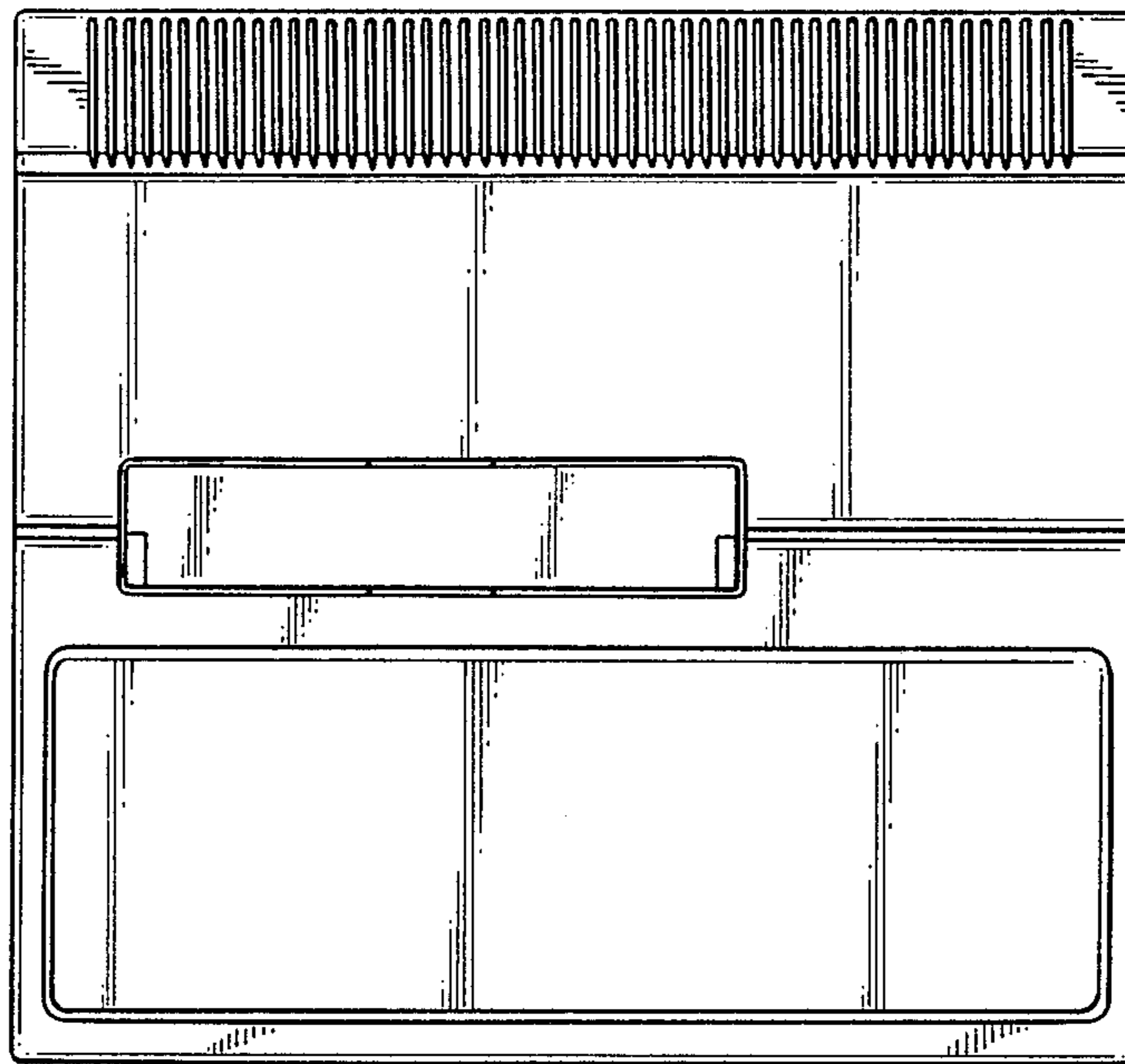


FIG. 9

