

[54] ILLUMINATED PEDESTAL MOUNTED MARINE POWER SOURCE

[75] Inventor: Patrick J. Reali, Bay Village, Ohio

[73] Assignee: Central Systems & Controls Corp., Westlake, Ohio

[\*\*] Term: 14 Years

[21] Appl. No.: 134,899

[22] Filed: Dec. 18, 1987

[52] U.S. Cl. .... D13/152; D26/68

[58] Field of Search ..... D26/67-71; D13/31, 40; 362/431, 432, 267, 147; 174/38; 361/333, 334

[56] References Cited

U.S. PATENT DOCUMENTS

D. 117,420	10/1939	Walker	.....	D13/31
D. 272,655	2/1984	Smith	.....	D26/68
3,188,379	6/1965	Simon	.....	174/38
3,215,831	11/1965	Gladson et al.	.....	362/431
3,691,288	9/1972	Sturdivan	.....	174/38
4,307,436	12/1981	Eckart et al.	.....	361/363
4,519,657	5/1985	Jensen	.....	174/384 X

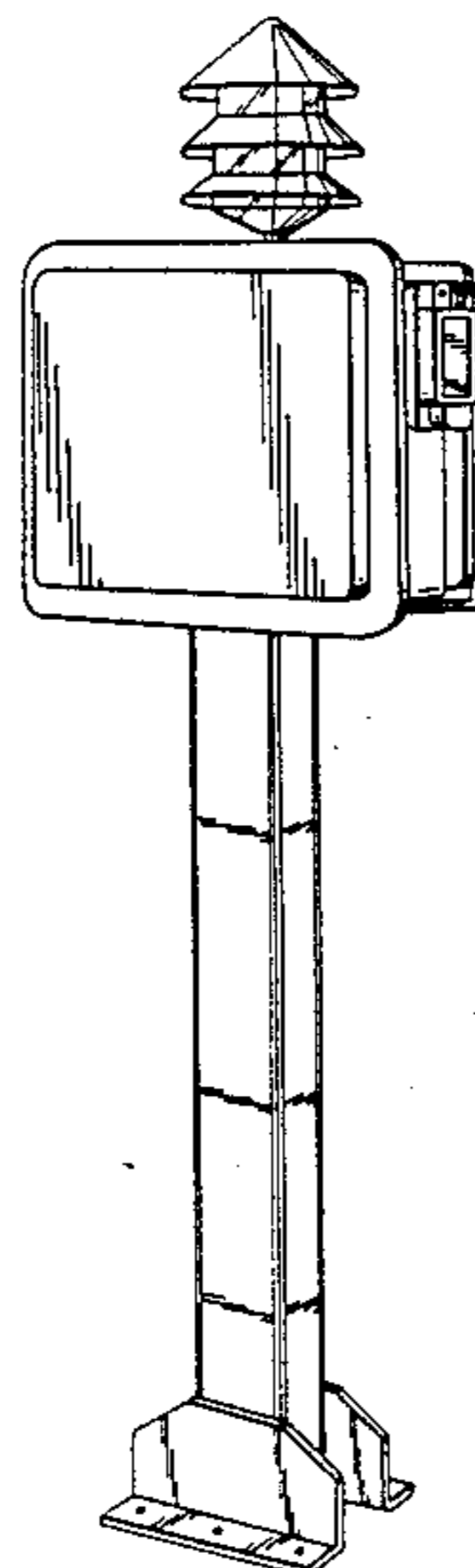
Primary Examiner—Susan J. Lucas  
Attorney, Agent, or Firm—J. Helen Slough

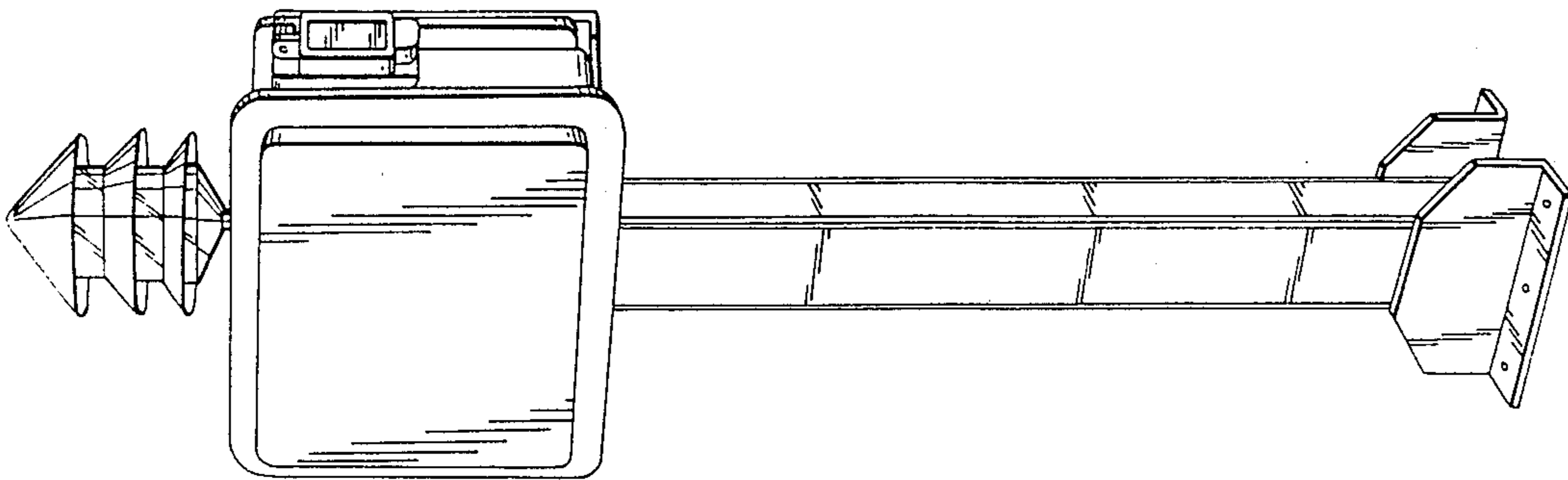
[57] CLAIM

The ornamental design for illuminated pedestal mounted marine power source, as shown and described.

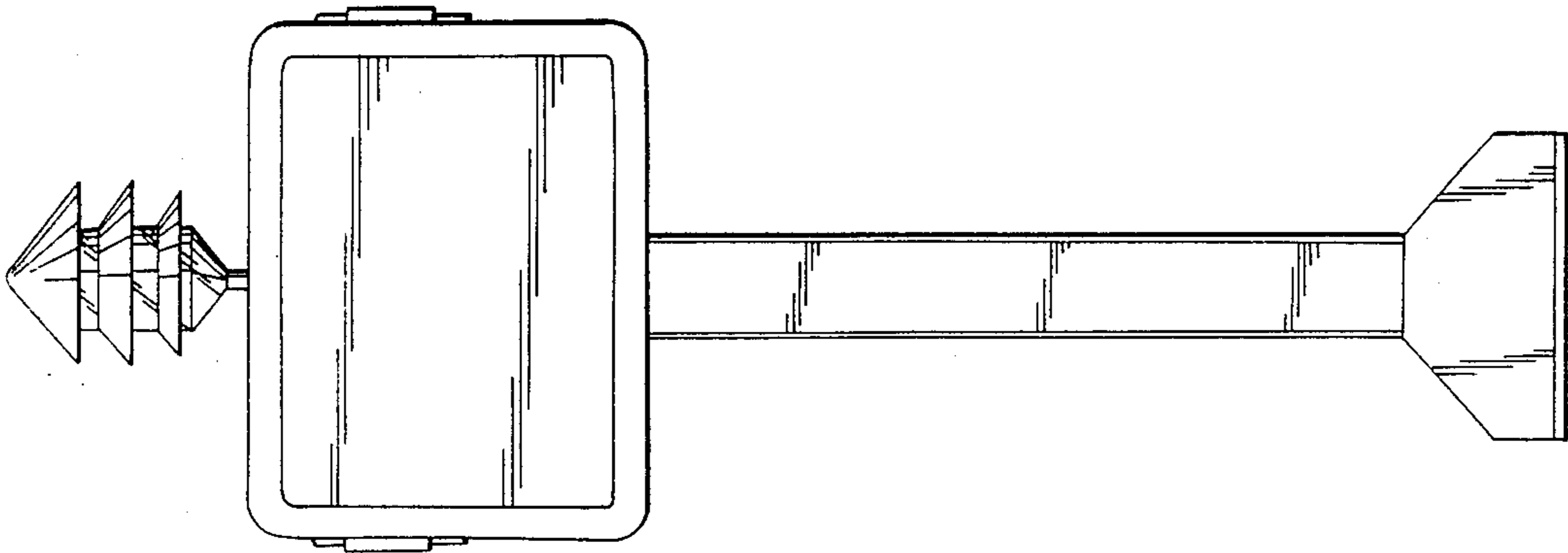
DESCRIPTION

FIG. 1 is a front perspective view of a pedestal mounted marine power source showing my new design;  
 FIG. 2 is a front elevational view thereof;  
 FIG. 3 is a rear elevational view thereof;  
 FIG. 4 is a side elevational view thereof, the opposite side being a mirror image;  
 FIG. 5 is a top plan view thereof;  
 FIG. 6 is a bottom plan view thereof;  
 FIG. 7 is a front perspective view of a second embodiment of my new design;  
 FIG. 8 is a front elevational view thereof;  
 FIG. 9 is a rear elevational view thereof;  
 FIG. 10 is a side elevational view thereof, the opposite side being a mirror image;  
 FIG. 11 is a top plan view thereof;  
 FIG. 12 is a bottom plan view thereof;  
 FIG. 13 is a front elevational view of a third embodiment of my new design;  
 FIG. 14 is a rear elevational view thereof;  
 FIG. 15 is a side elevational view thereof, the opposite side being a mirror image;  
 FIG. 16 is a top plan view thereof;  
 FIG. 17 is a bottom plan view thereof.

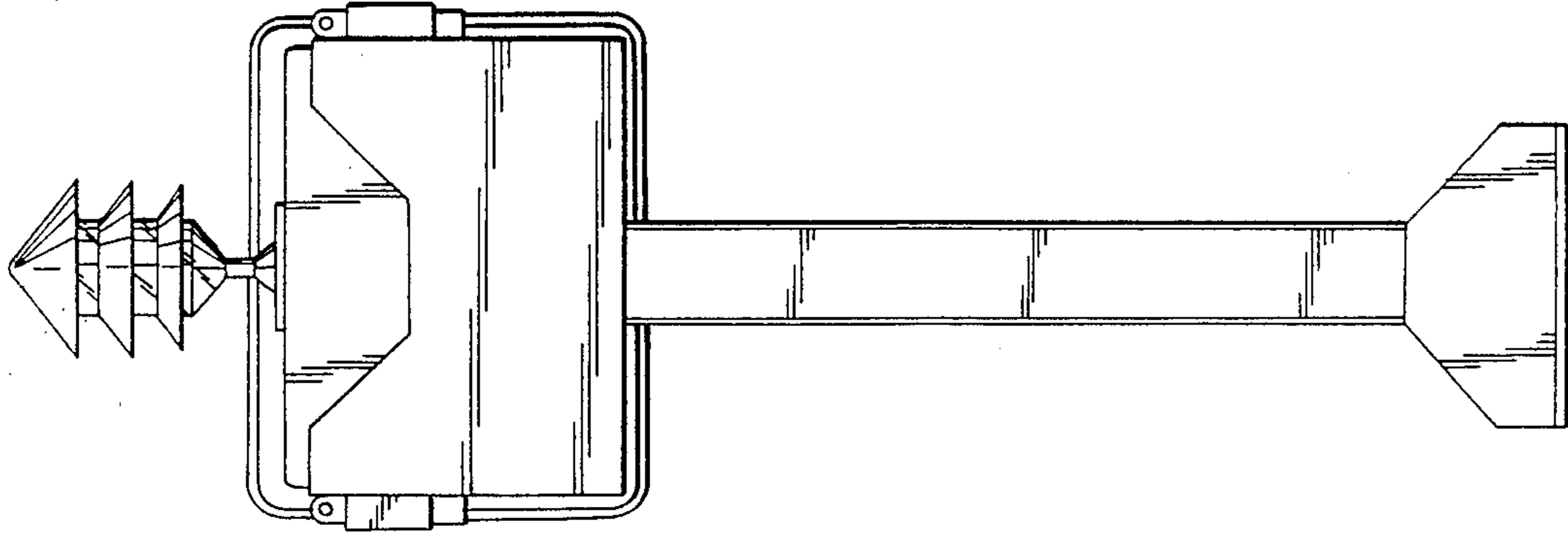




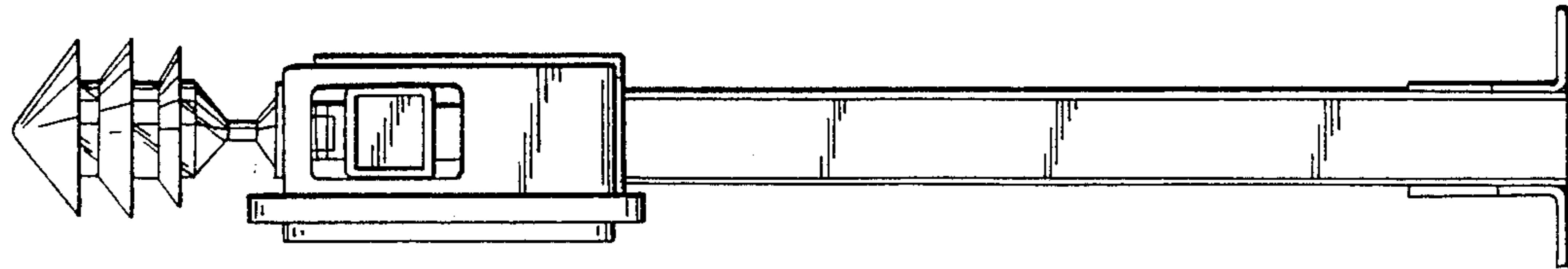
*Fig. 1*



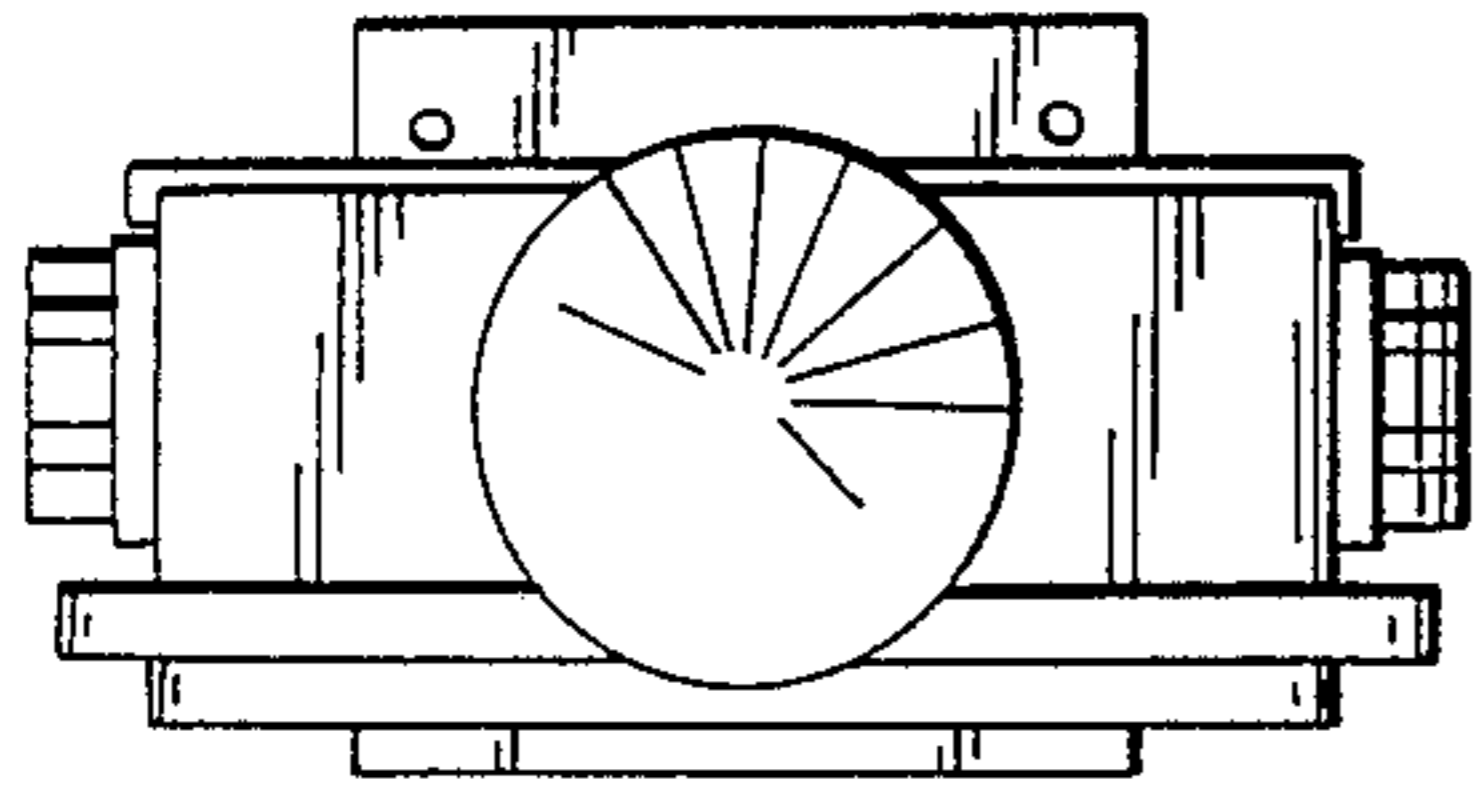
*Fig. 2*



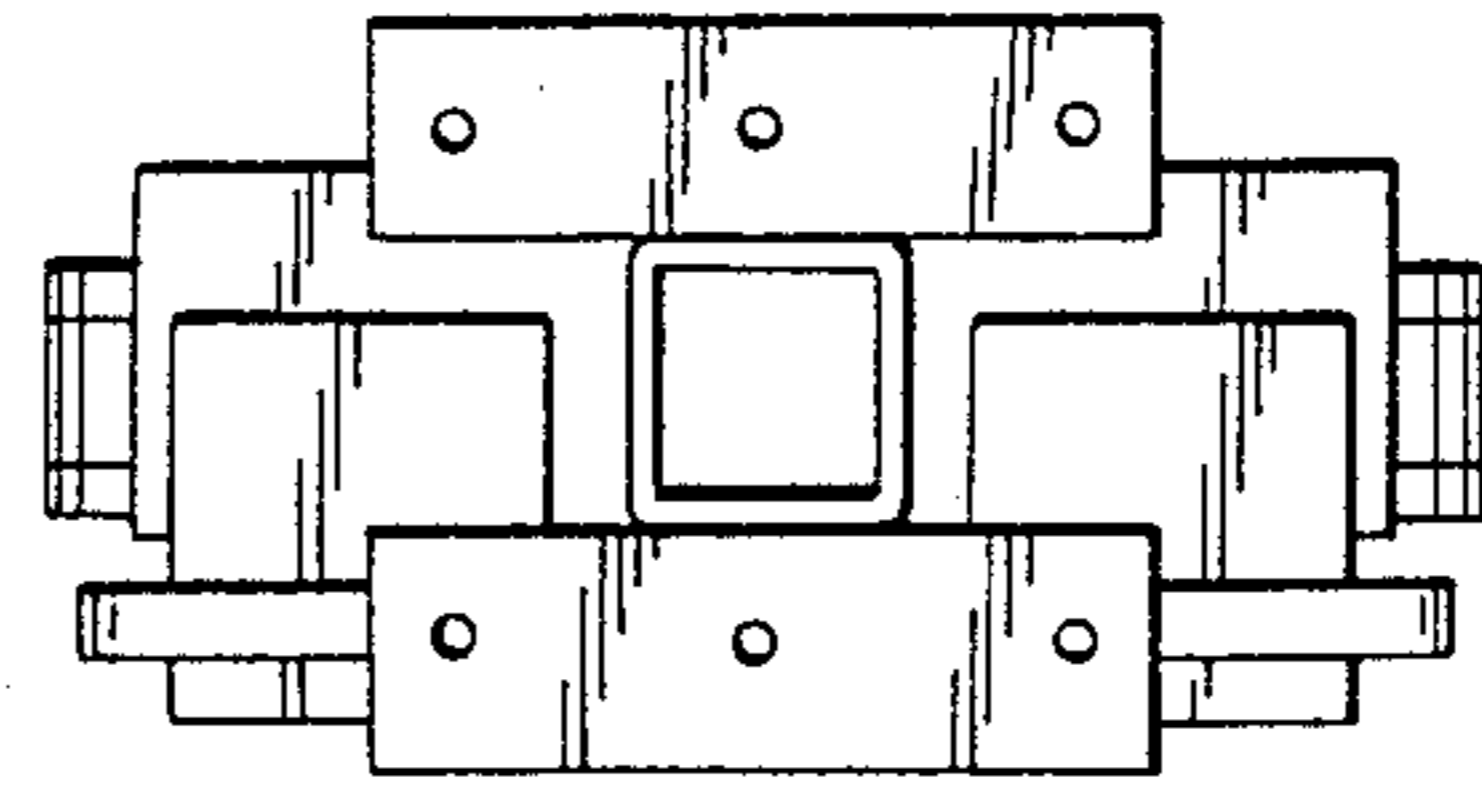
*Fig. 3*



*Fig. 4*



*Fig. 5*



*Fig. 6*

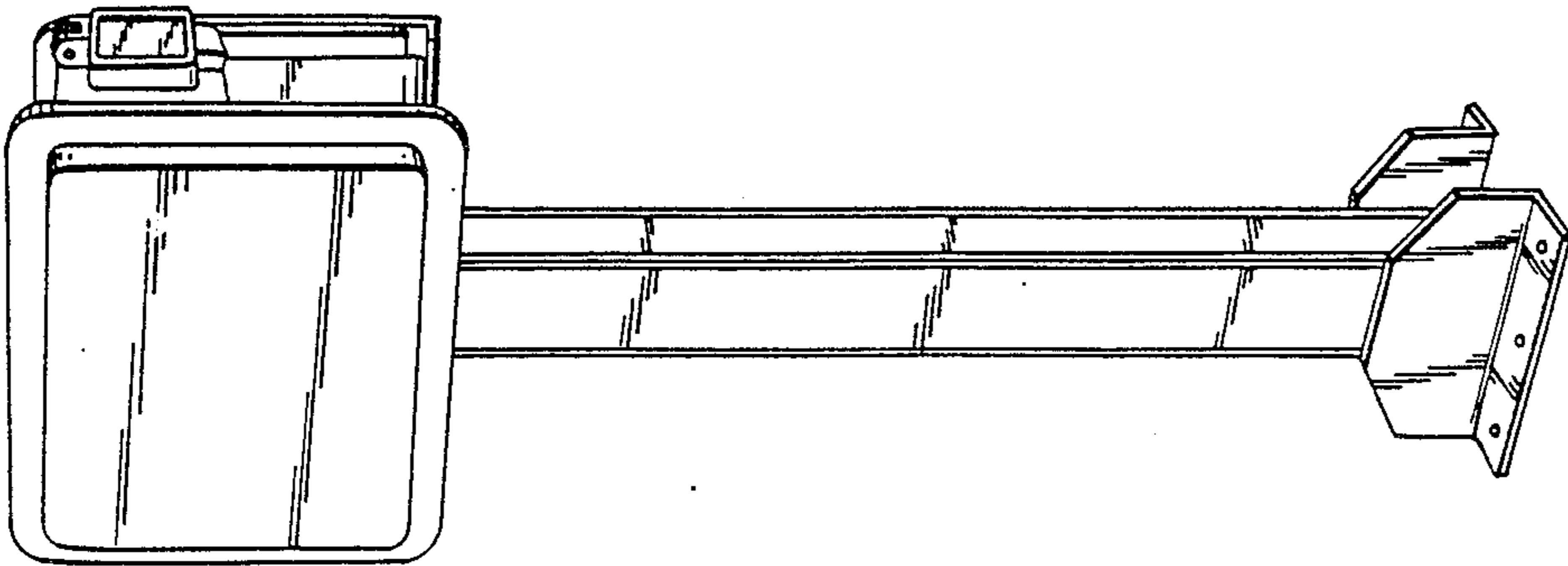


Fig. 7

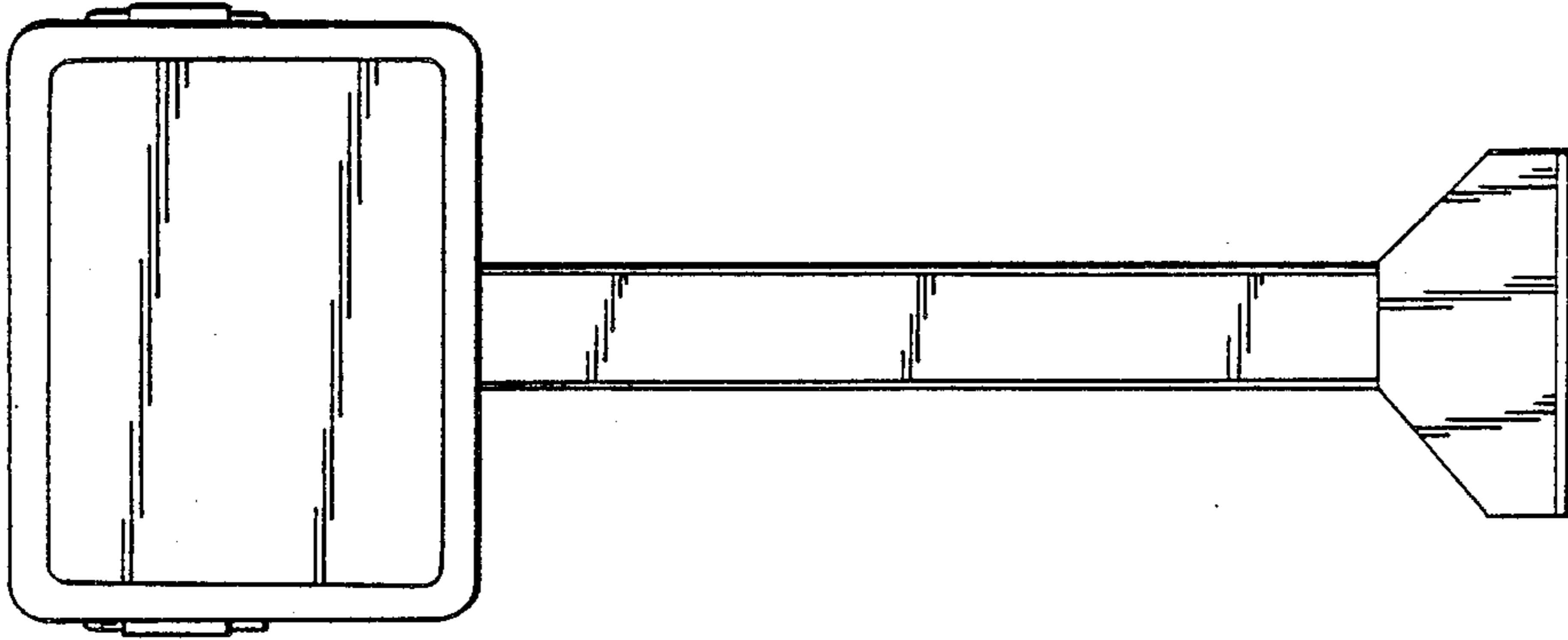


Fig. 8

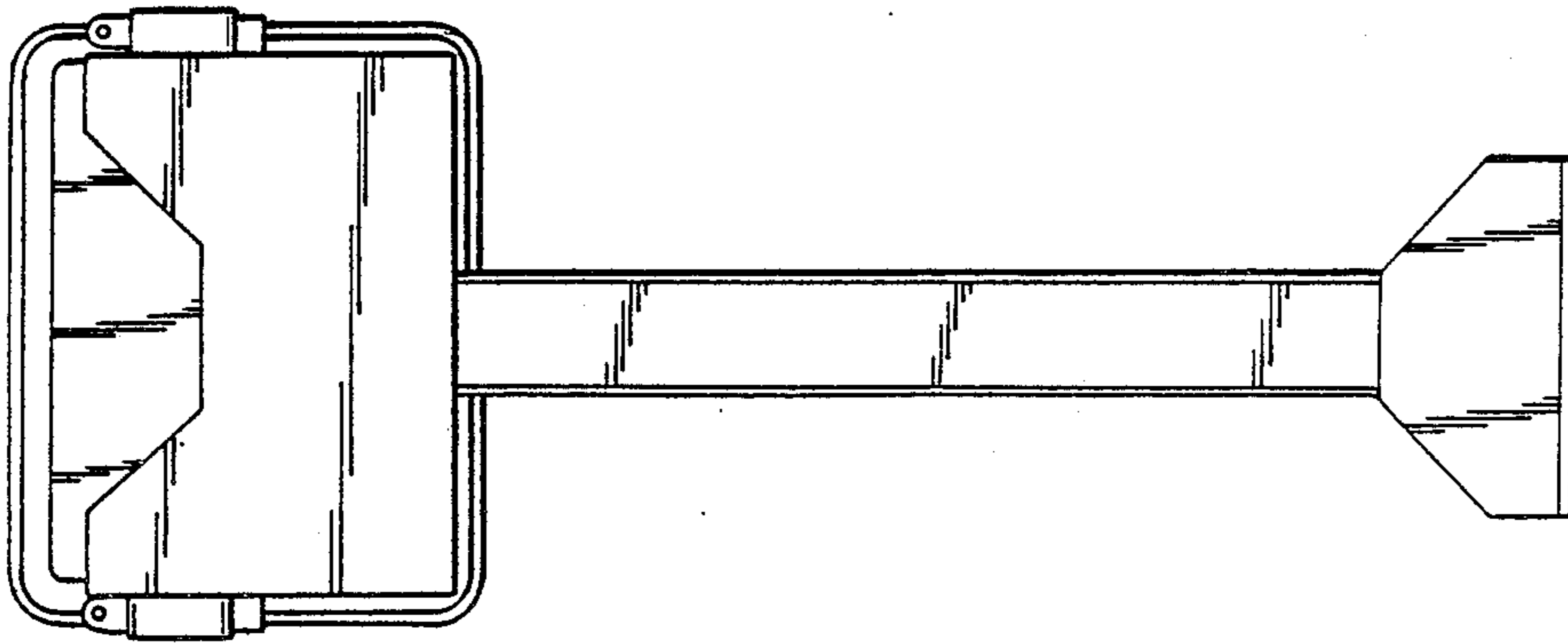


Fig. 9

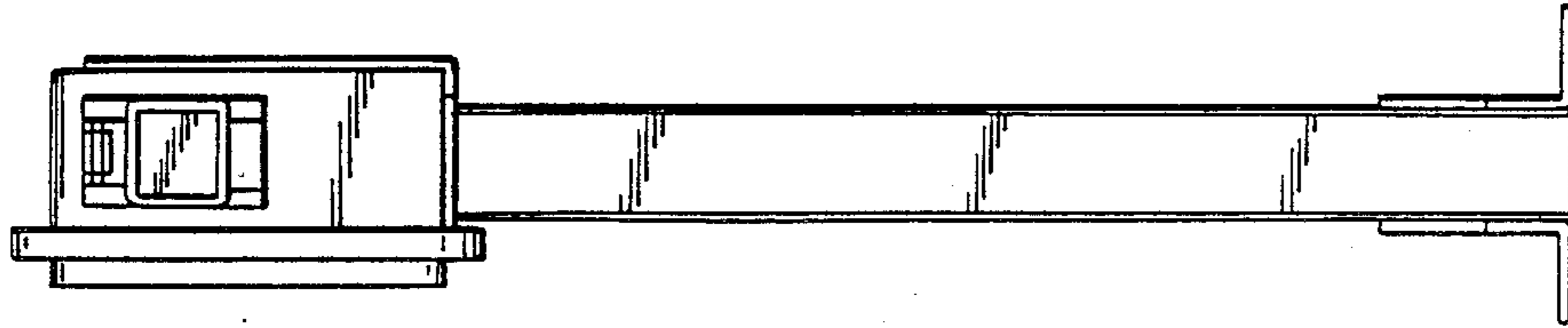


Fig. 10

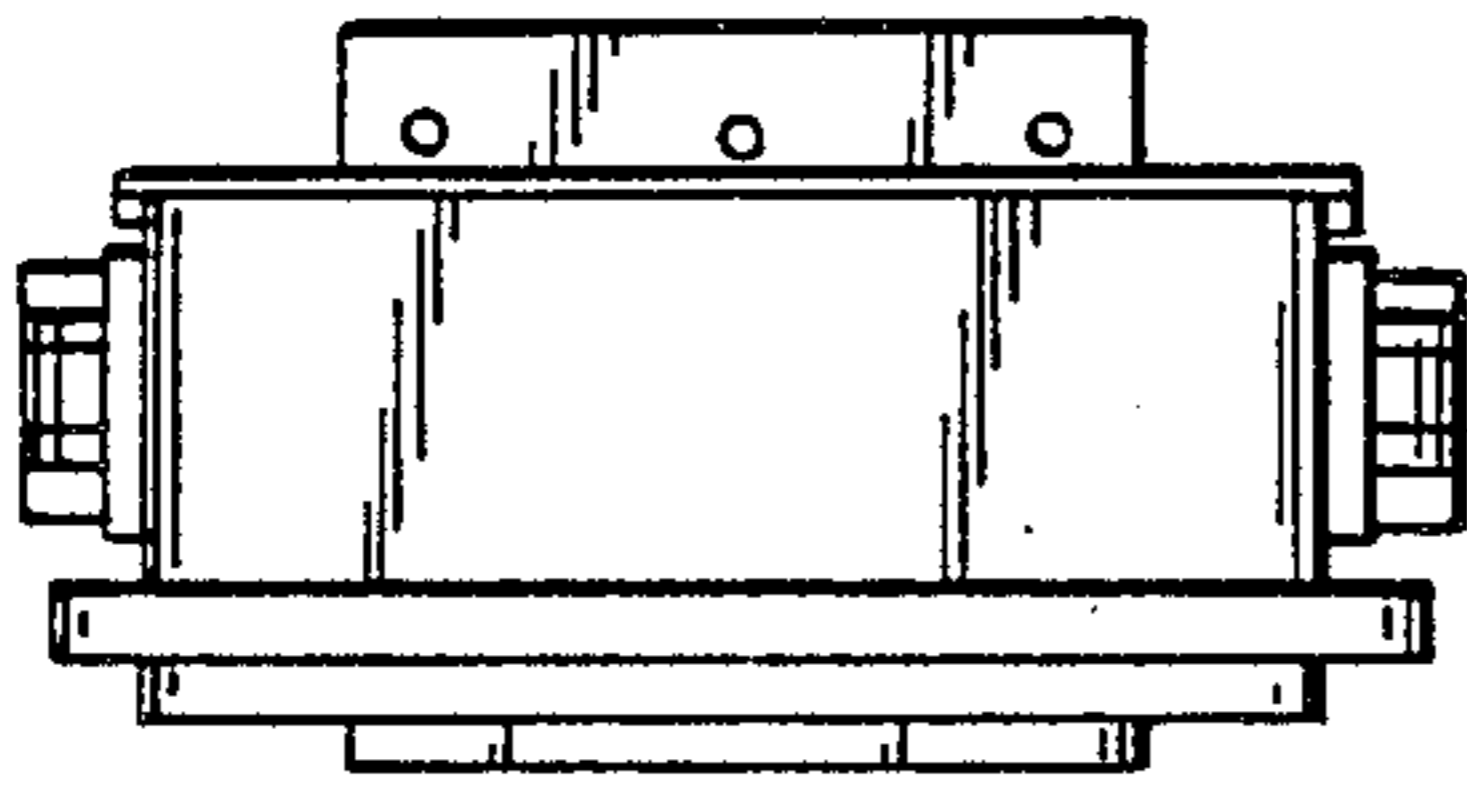


Fig. 11

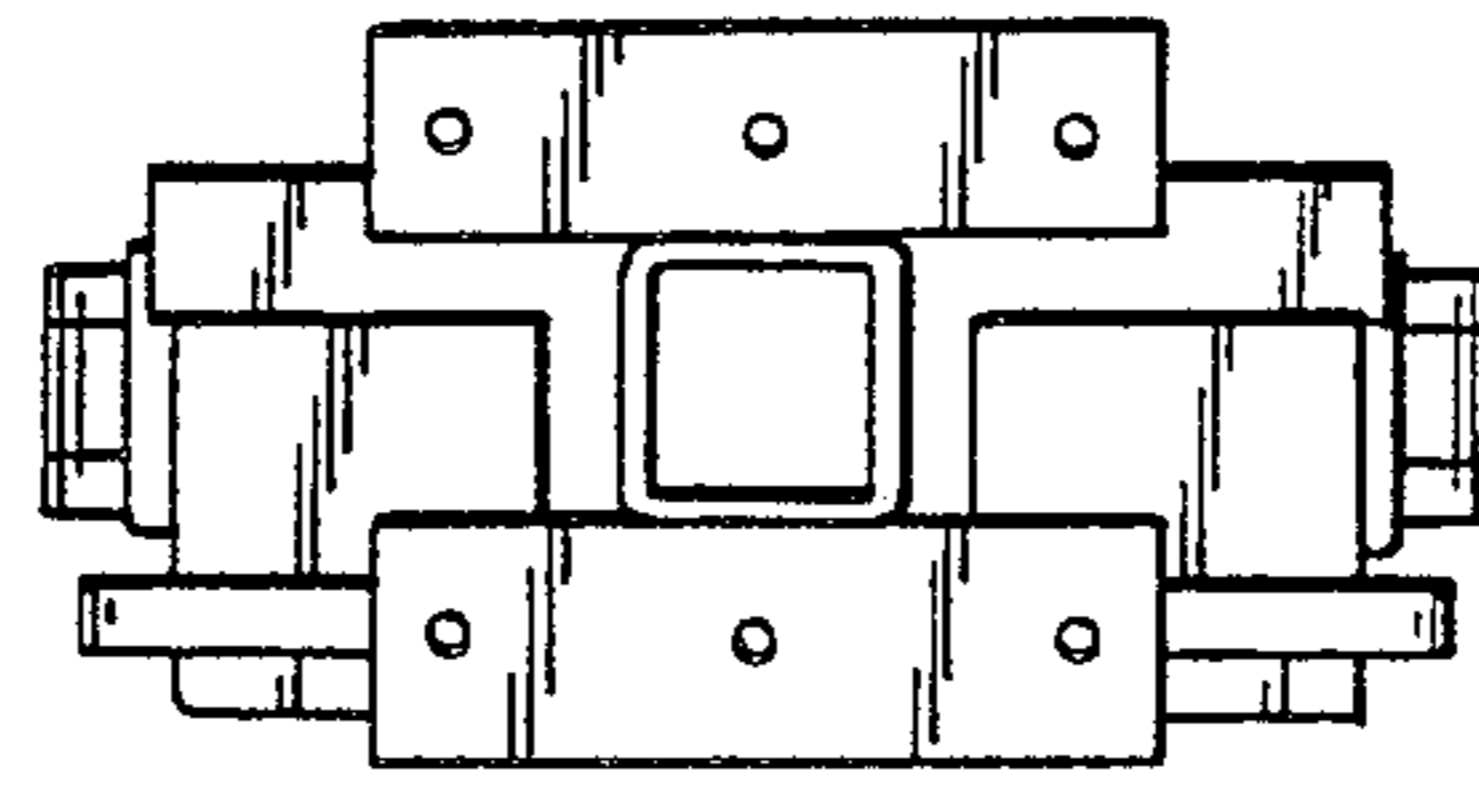
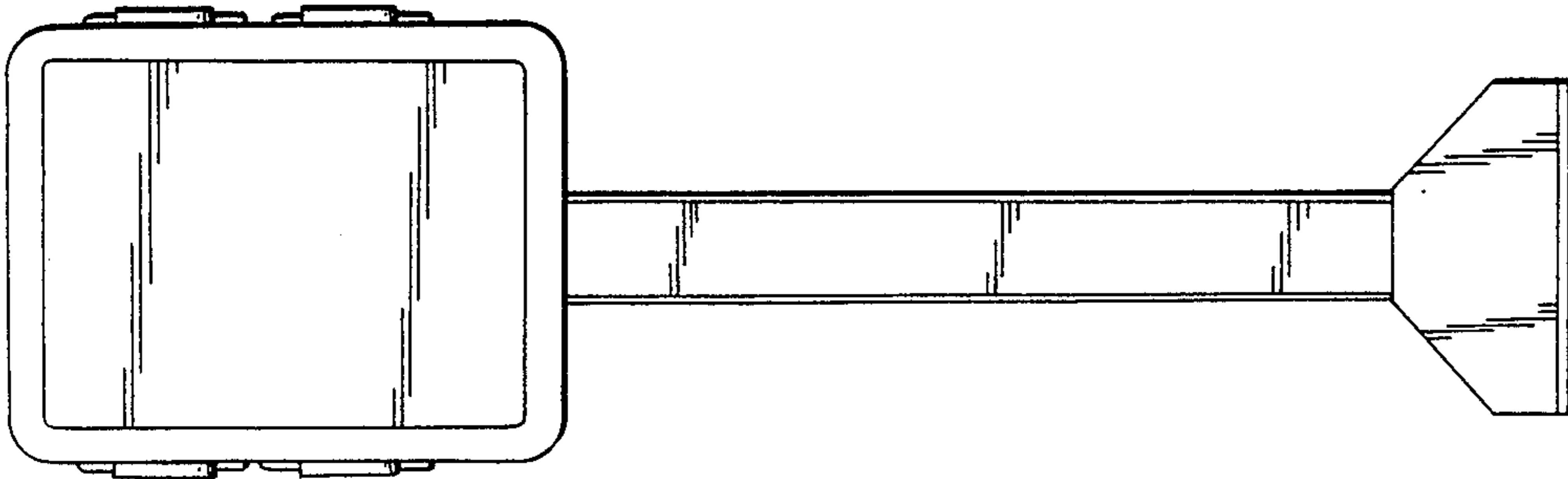
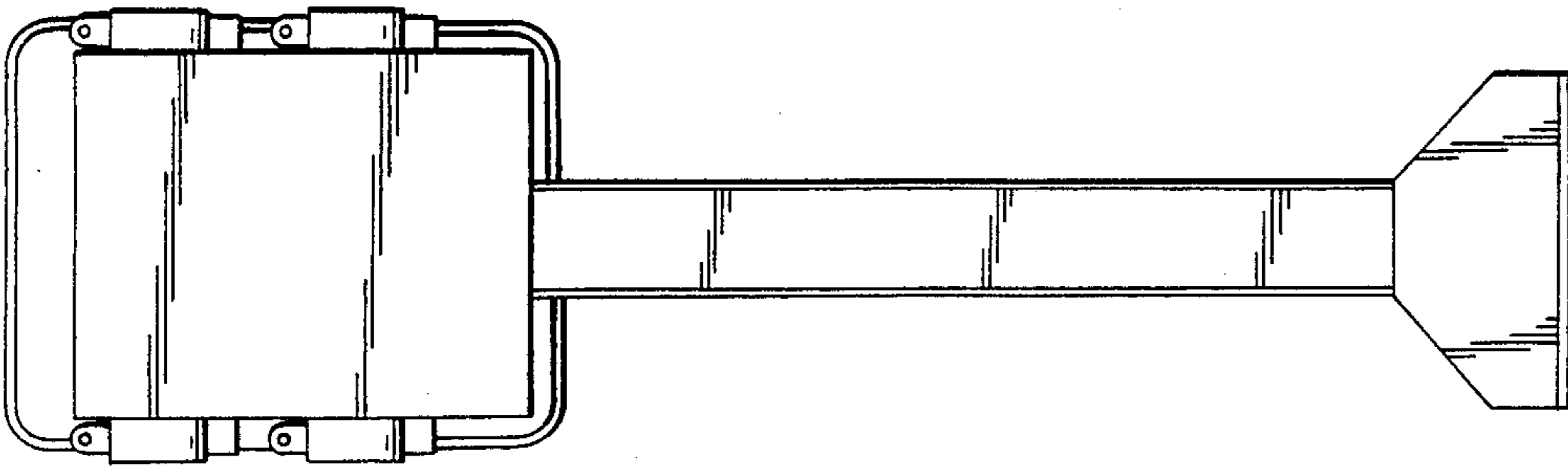


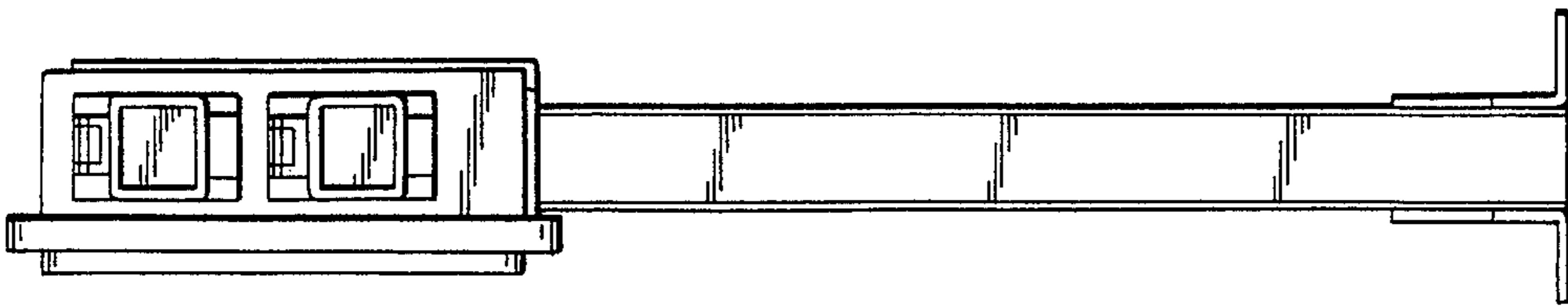
Fig. 12



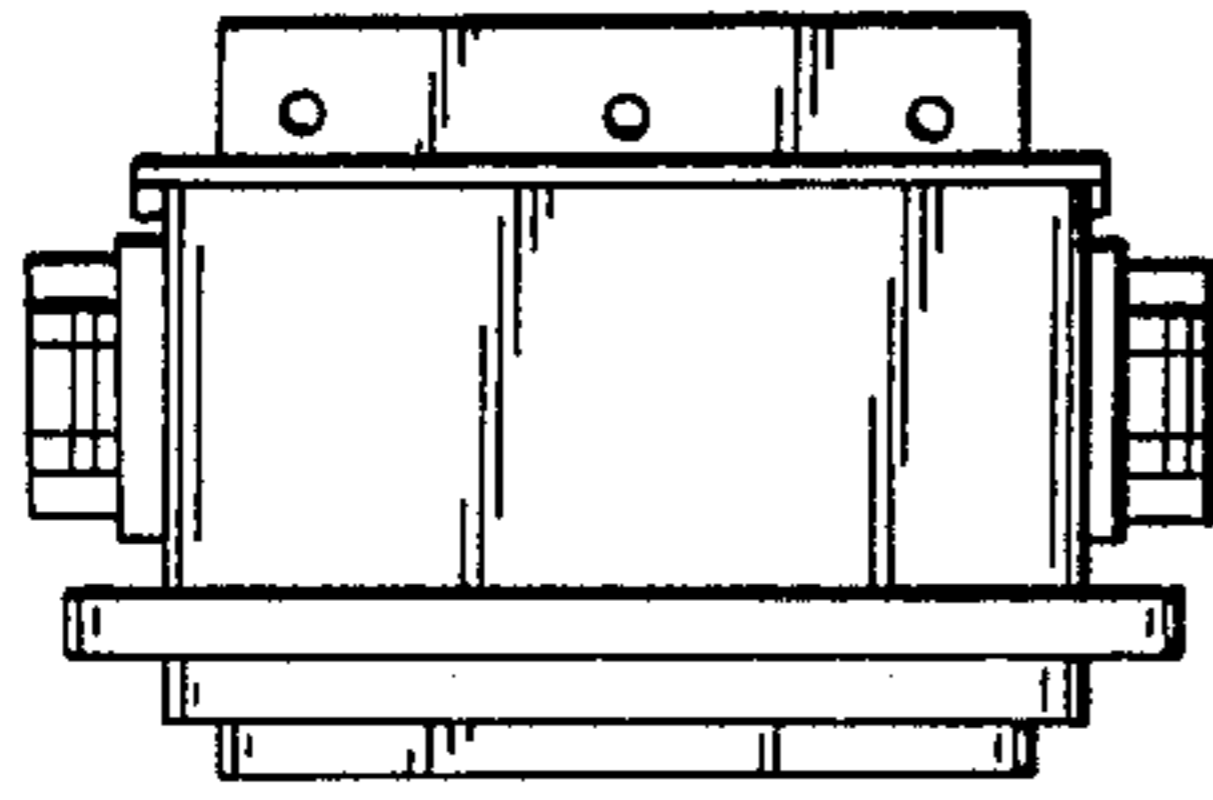
*Fig. 13*



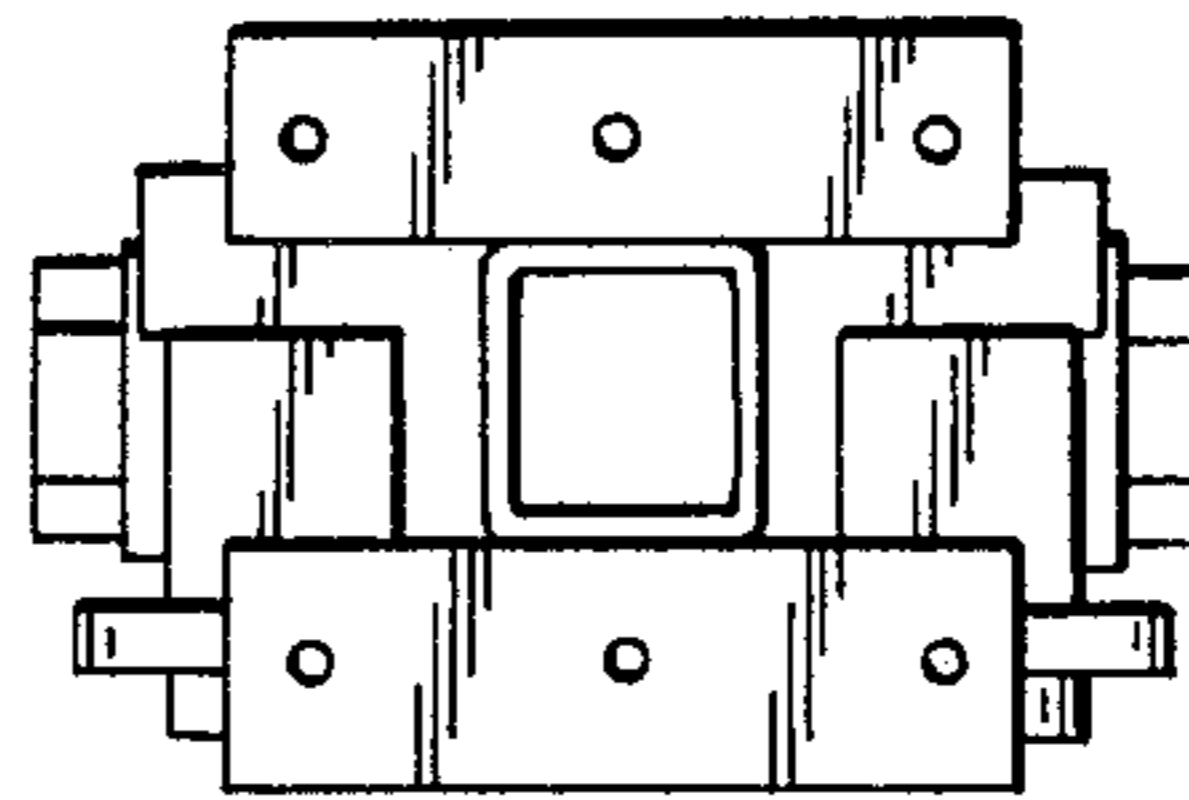
*Fig. 14*



*Fig. 15*



*Fig. 16*



*Fig. 17*