

[54] HOUSING FOR AN ELECTRICAL CONNECTOR

[75] Inventors: Katsutoshi Kuzuno; Shigeo Ishizuka; Hiroshi Watanabe; Kazuaki Sakurai, all of Shizuoka, Japan

[73] Assignee: Yazaki Corporation, Japan

[**] Term: 14 Years

[21] Appl. No.: 192,424

[22] Filed: May 10, 1988

[30] Foreign Application Priority Data

Nov. 10, 1987 [JP] Japan 62-45639

Dec. 4, 1987 [JP] Japan 62-49577

[52] U.S. Cl. D13/146

[58] Field of Search D13/24, 30; 439/660, 439/682, 685, 586, 353, 595

[56] References Cited

U.S. PATENT DOCUMENTS

D. 253,409 11/1979 Voelkert D13/24

4,708,662 11/1987 Klein 439/353

4,711,509 12/1987 Cross et al. 439/595 X

4,721,482 1/1988 Fukuda et al. 439/586 X

OTHER PUBLICATIONS

Burndy Connectors on p. 14, Section F of 2, 11-1986.

Primary Examiner—Susan J. Lucas

Assistant Examiner—Joel Sincavage

Attorney, Agent, or Firm—Jones, Askew & Lunsford

[57] CLAIM

The ornamental design for a housing for an electrical connector, as shown and described.

DESCRIPTION

FIG. 1 is a perspective view of a housing for an electrical connector showing our new design;

FIG. 2 is a top plan view thereof;

FIG. 3 is a front elevational view thereof;

FIG. 4 is a right elevational view thereof, the left elevational view being a mirror image;

FIG. 5 is a bottom plan view thereof;

FIG. 6 is a rear elevational view thereof;

FIG. 7 is a cross-section view thereof taken along line 7-7 of FIG. 3;

FIG. 8 is a cross-section view thereof taken along line 8-8 of FIG. 3;

FIG. 9 is a perspective view of a housing for an electrical connector showing a second embodiment of our new design;

FIG. 10 is a top plan view thereof;

FIG. 11 is a front elevational view thereof;

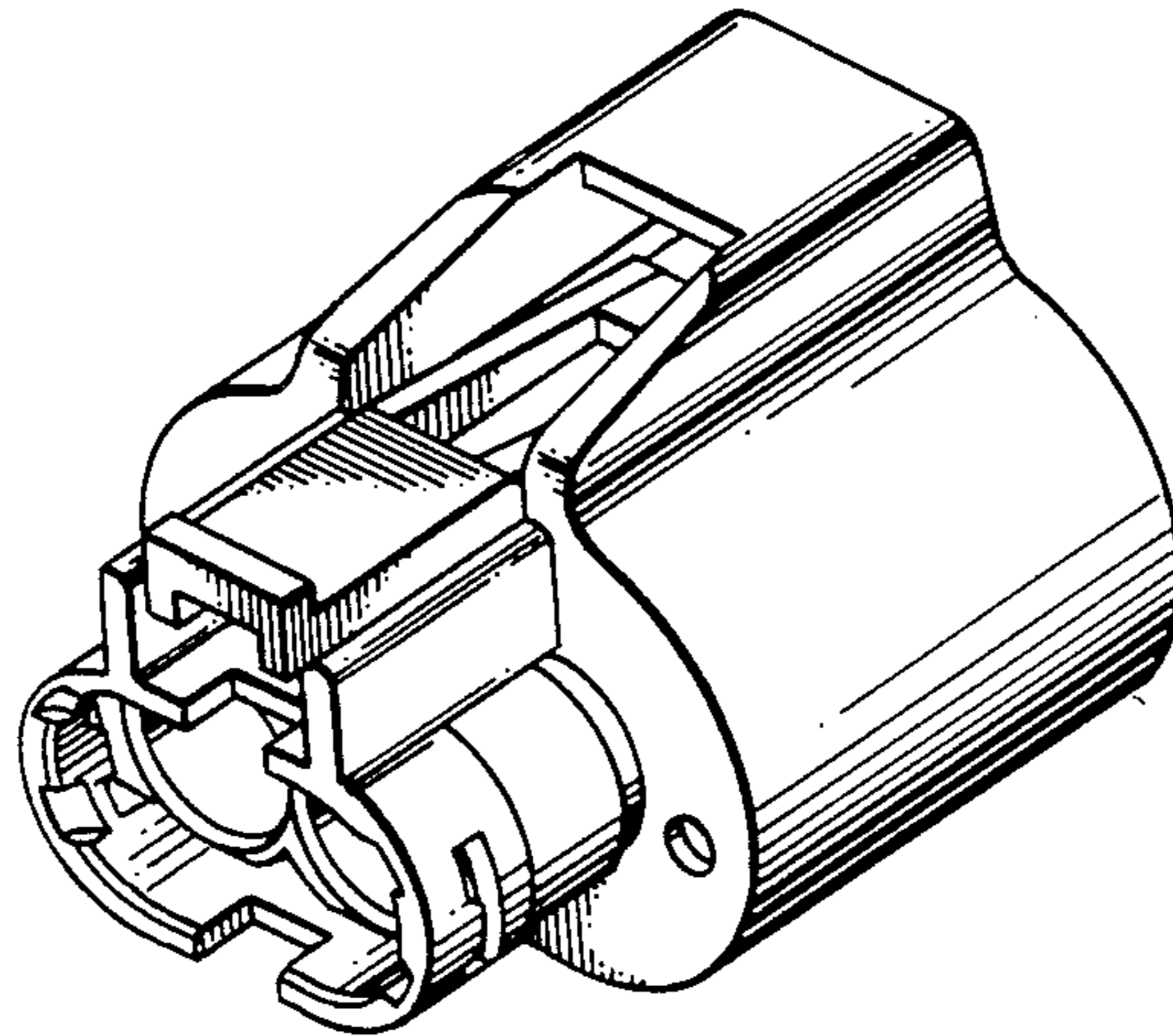
FIG. 12 is a right elevational view thereof, the left elevational view being a mirror image;

FIG. 13 is a bottom plan view thereof;

FIG. 14 is a rear elevational view thereof;

FIG. 15 is a cross-section view thereof, taken along line 15-15 of FIG. 11;

FIG. 16 is a cross-section view thereof, taken along line 16-16 of FIG. 11.



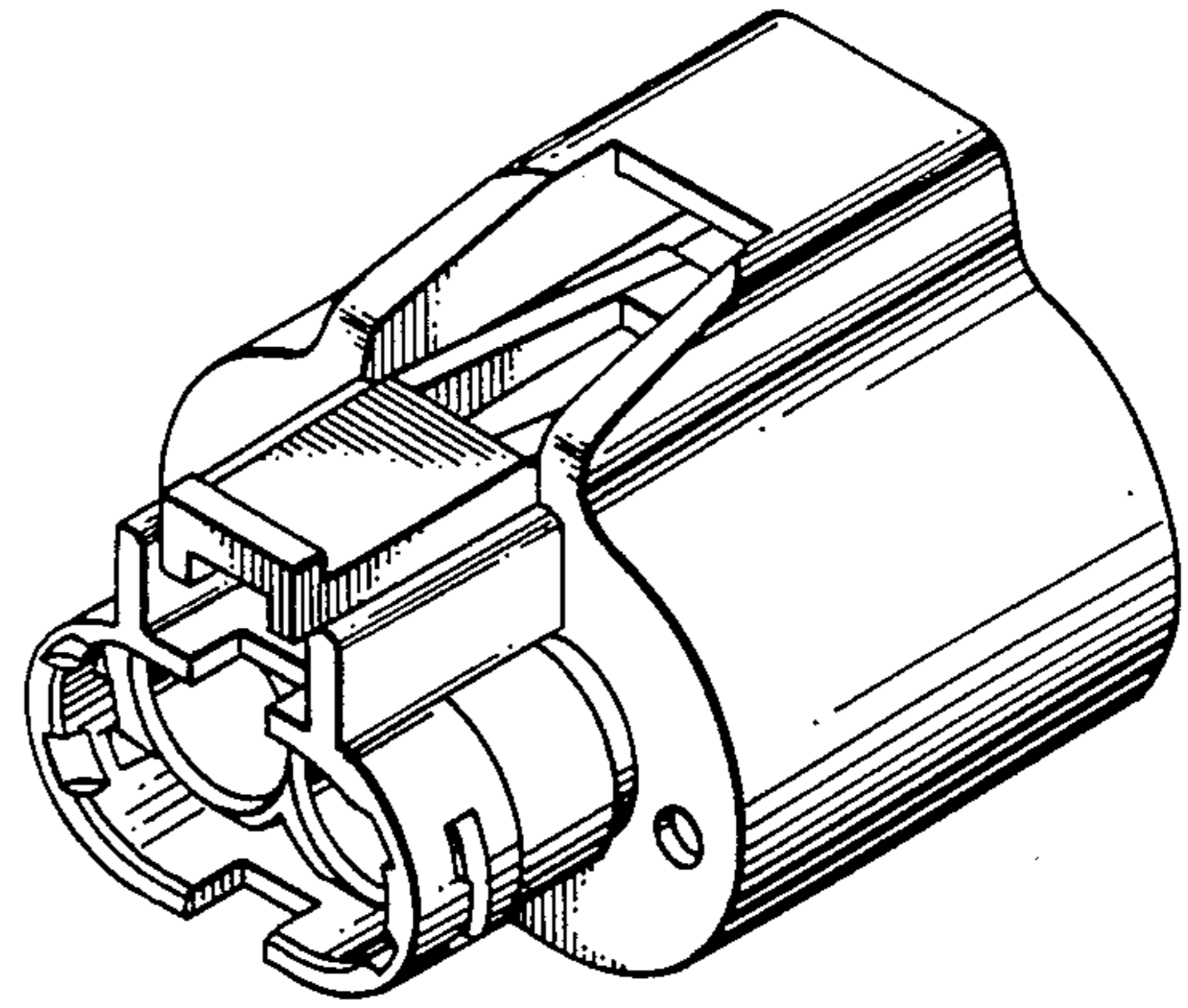


Fig. 2

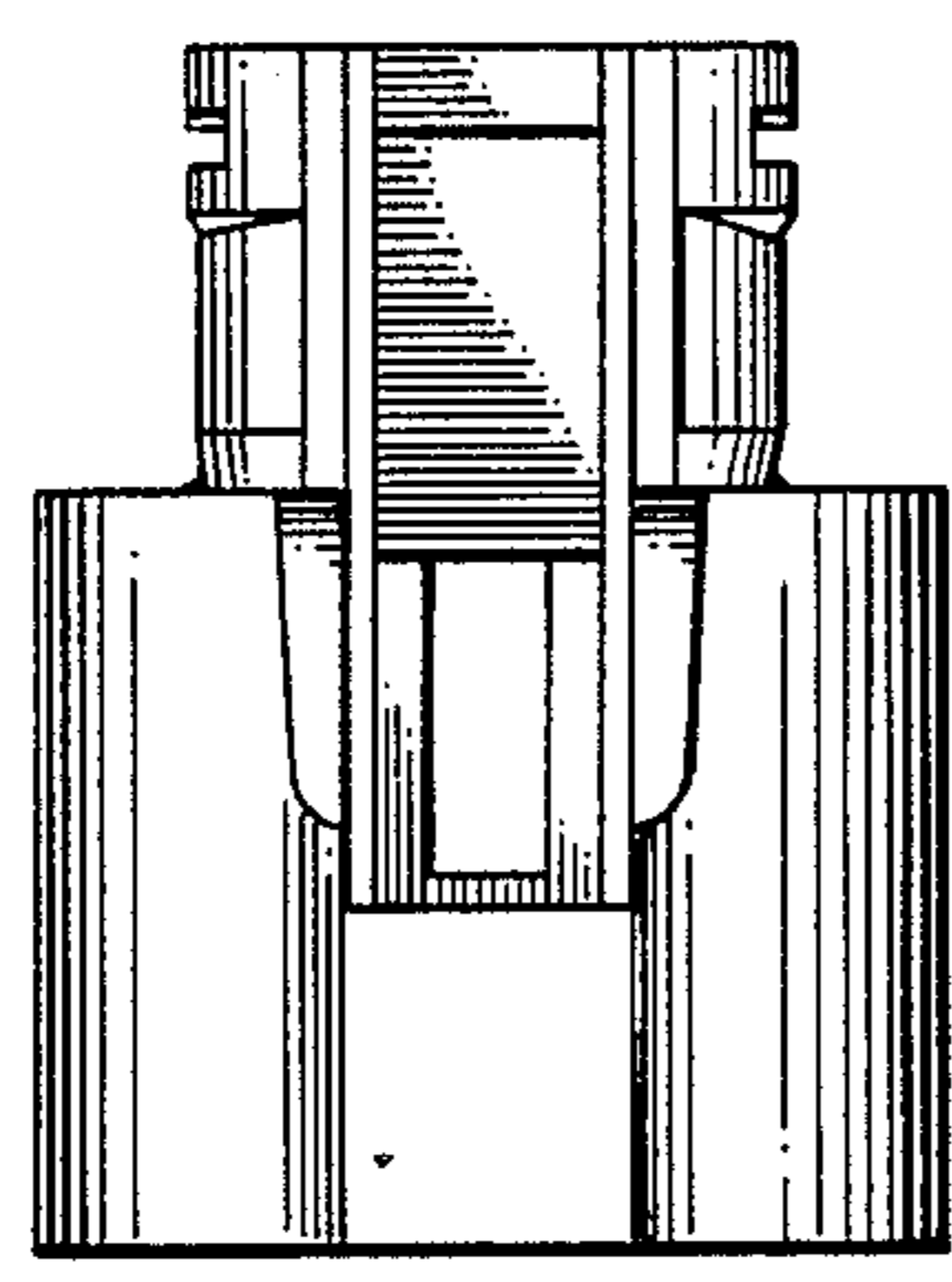


Fig. 1

Fig. 3

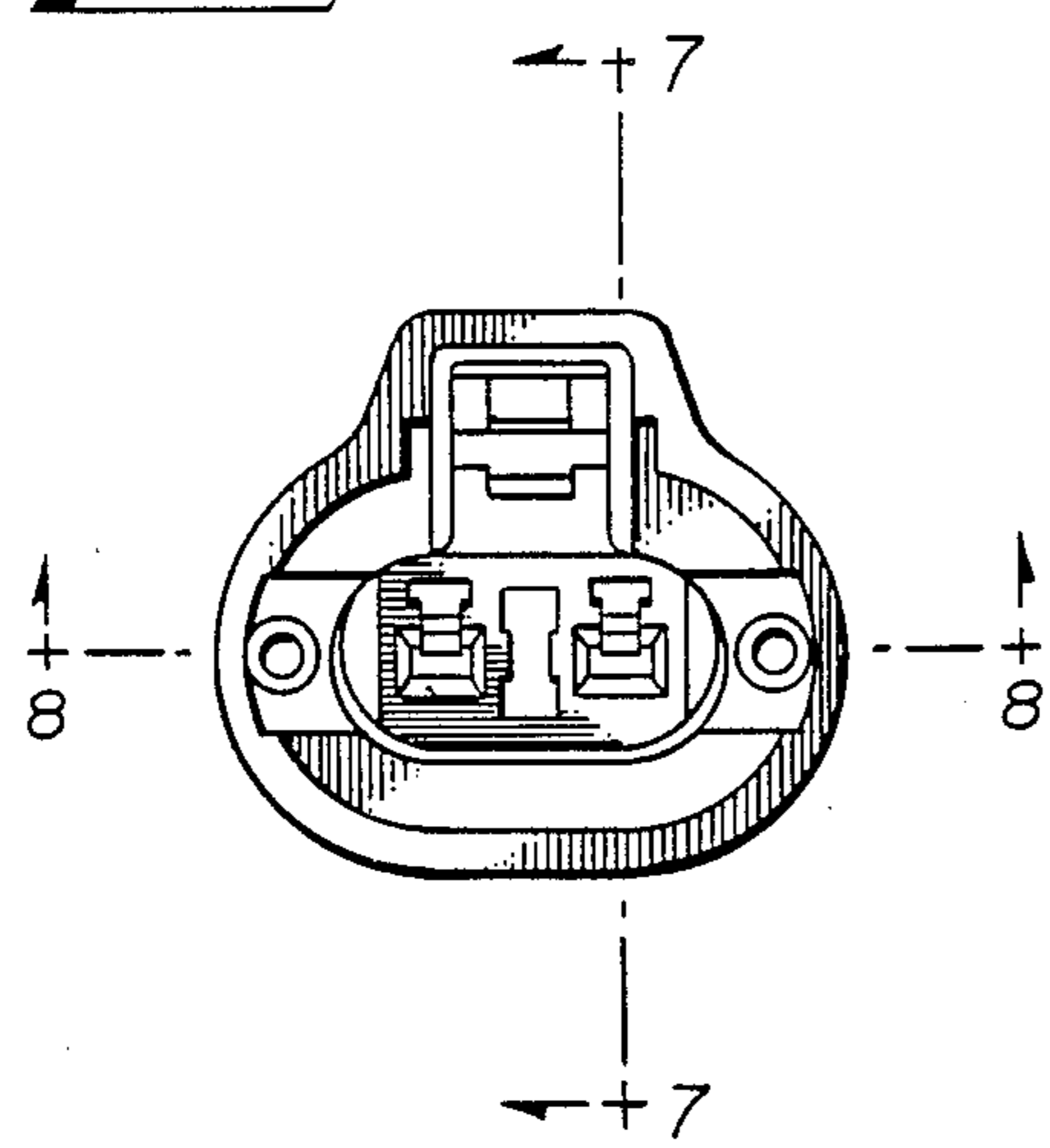
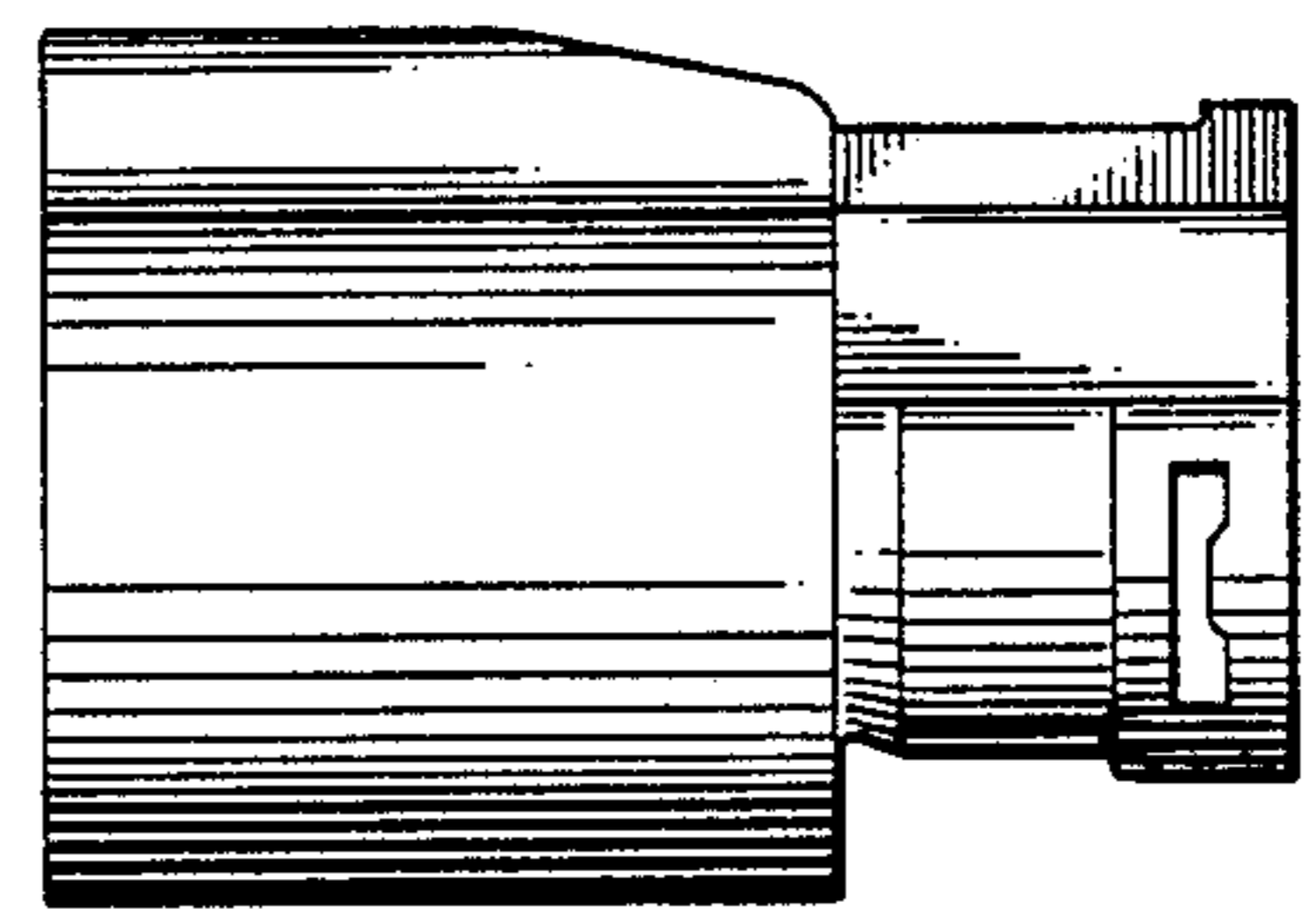


Fig. 4



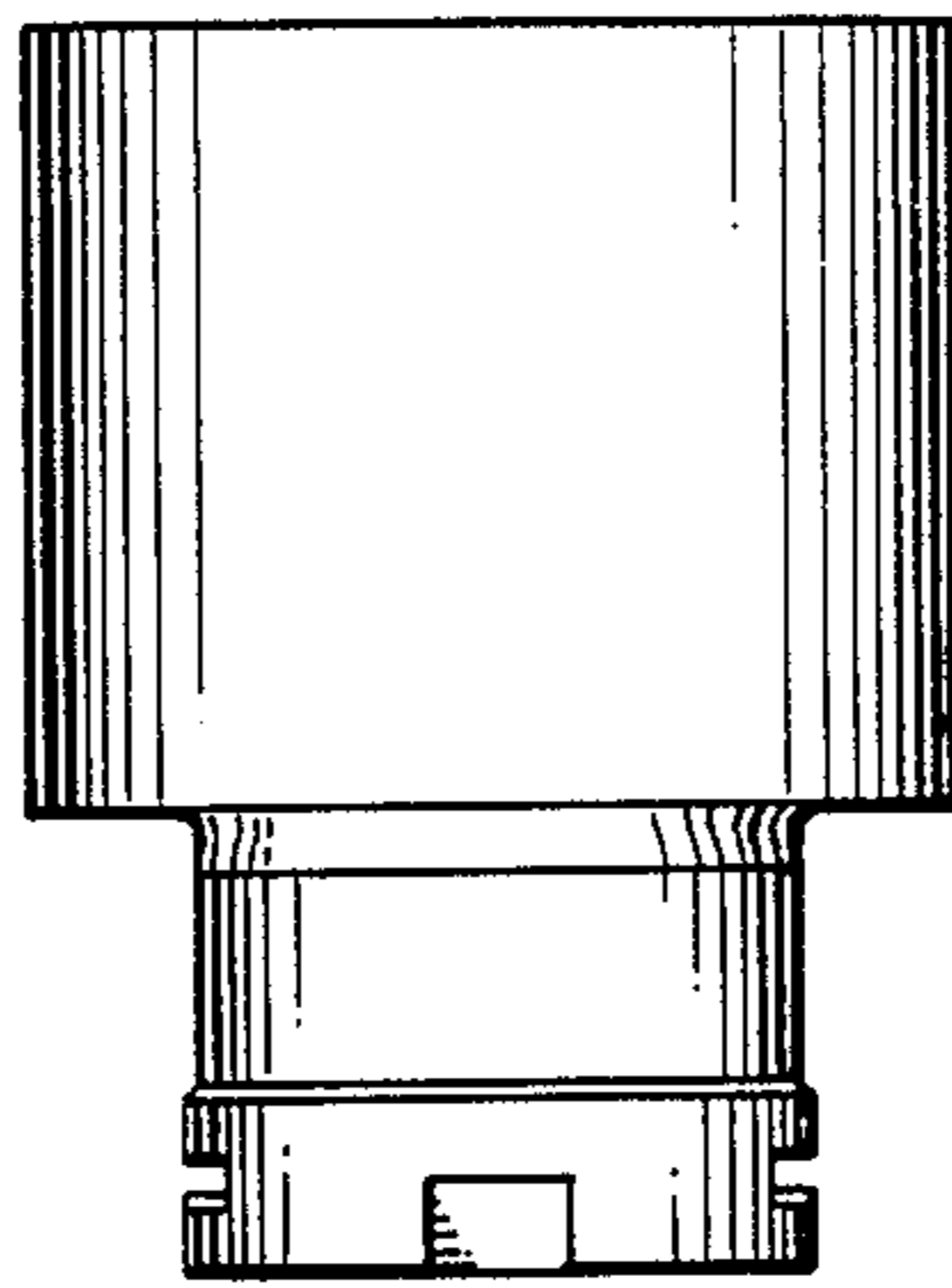


Fig. 5

Fig. 6

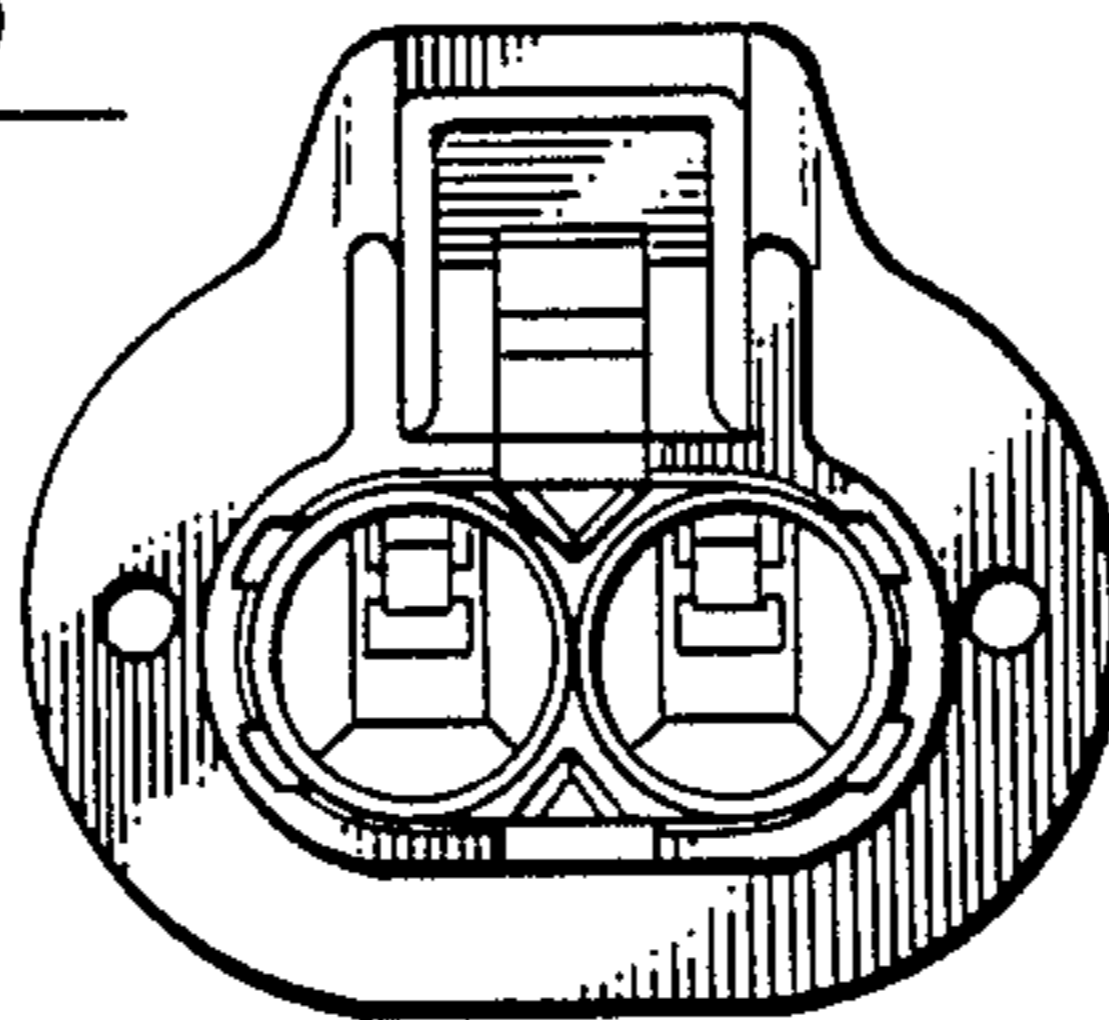


Fig. 7

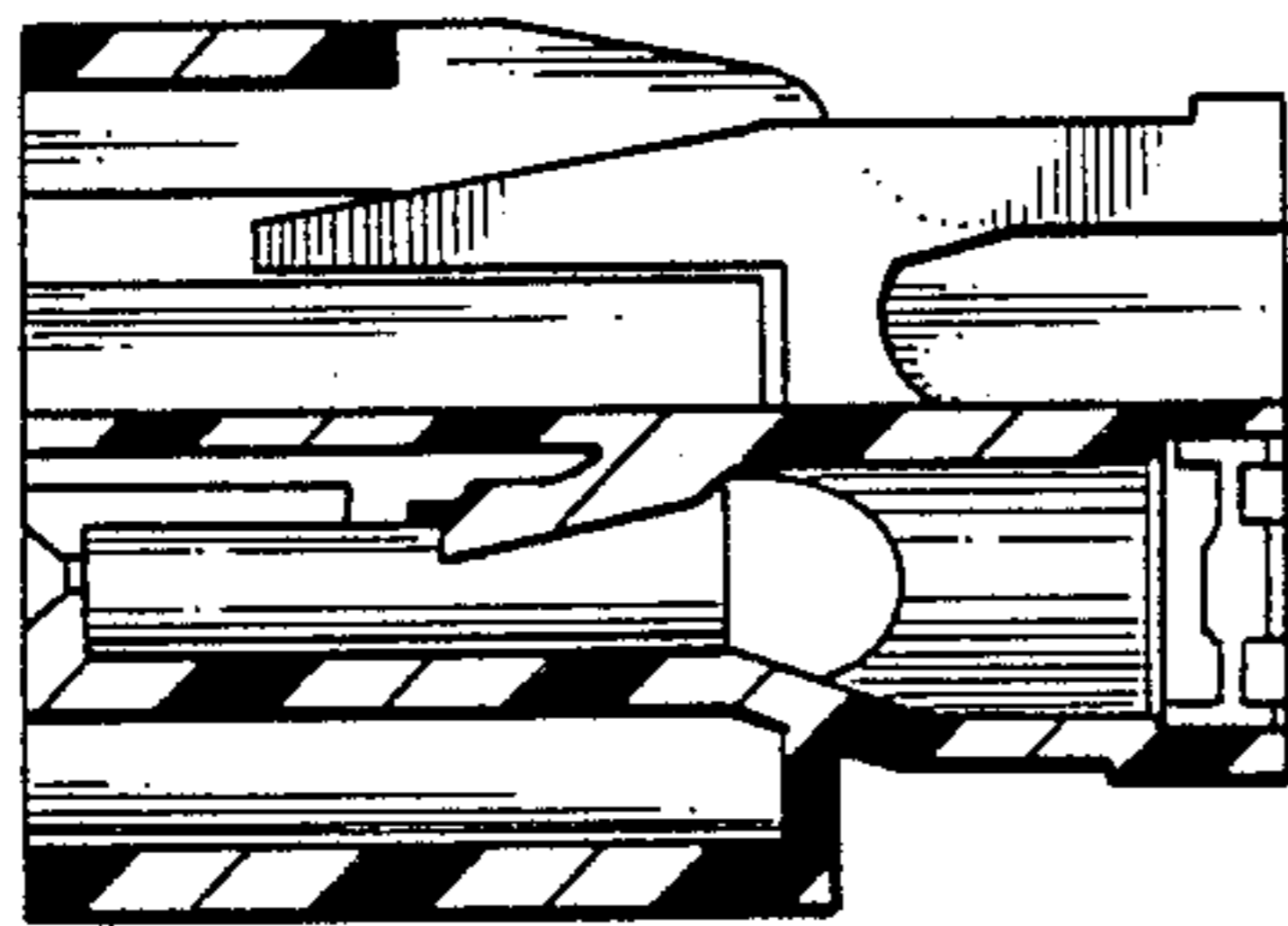
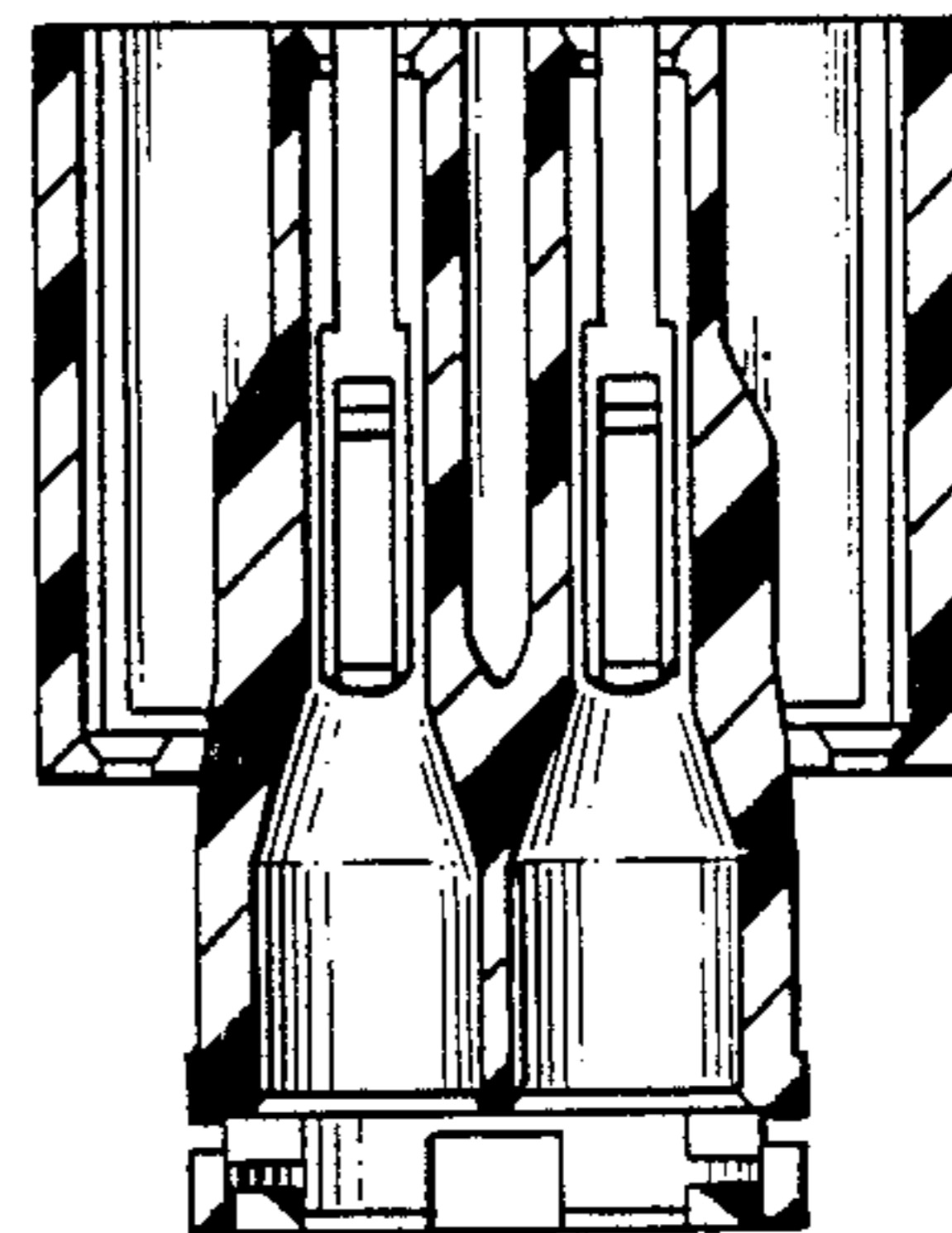


Fig. 8



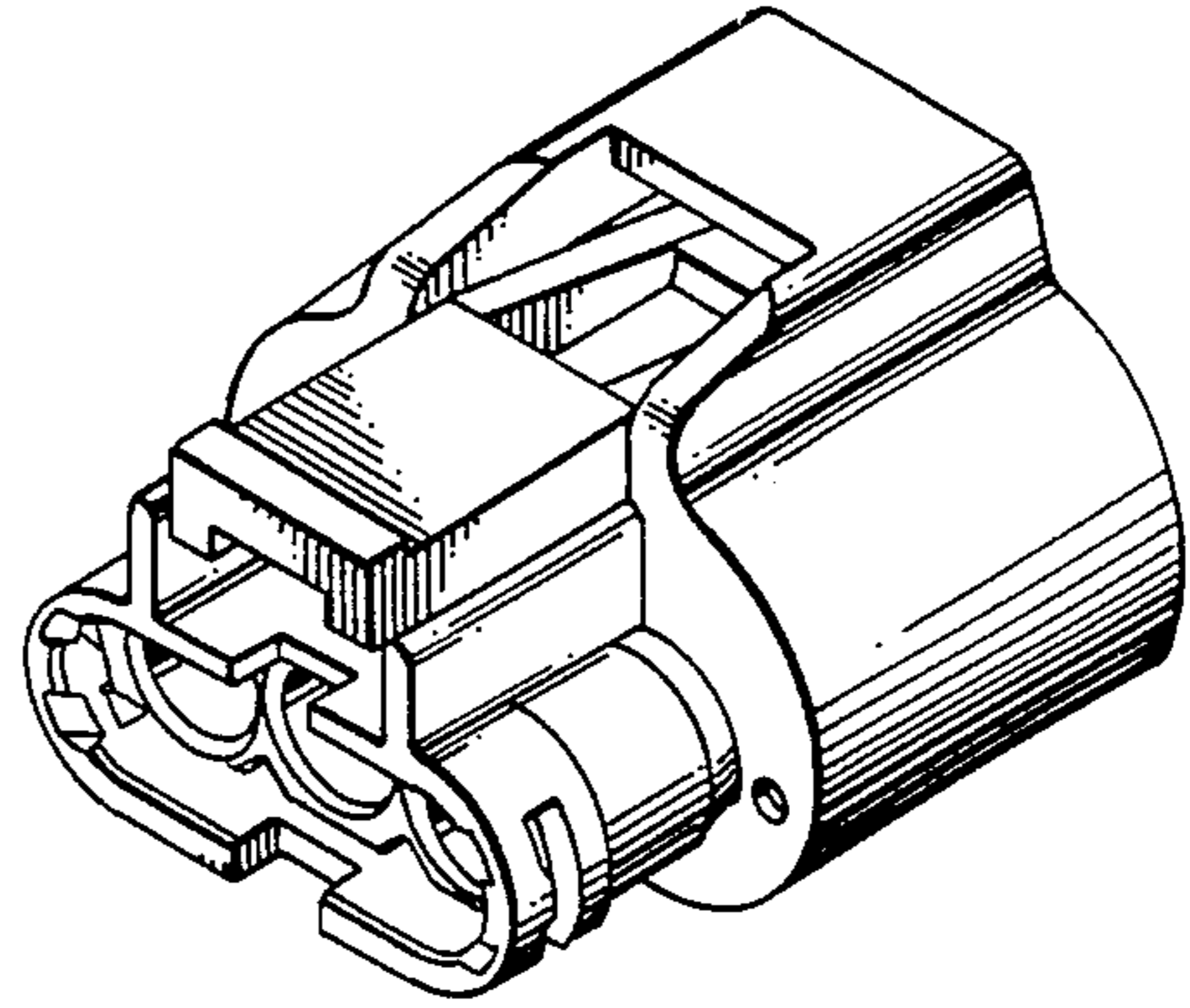


Fig. 9

Fig. 10

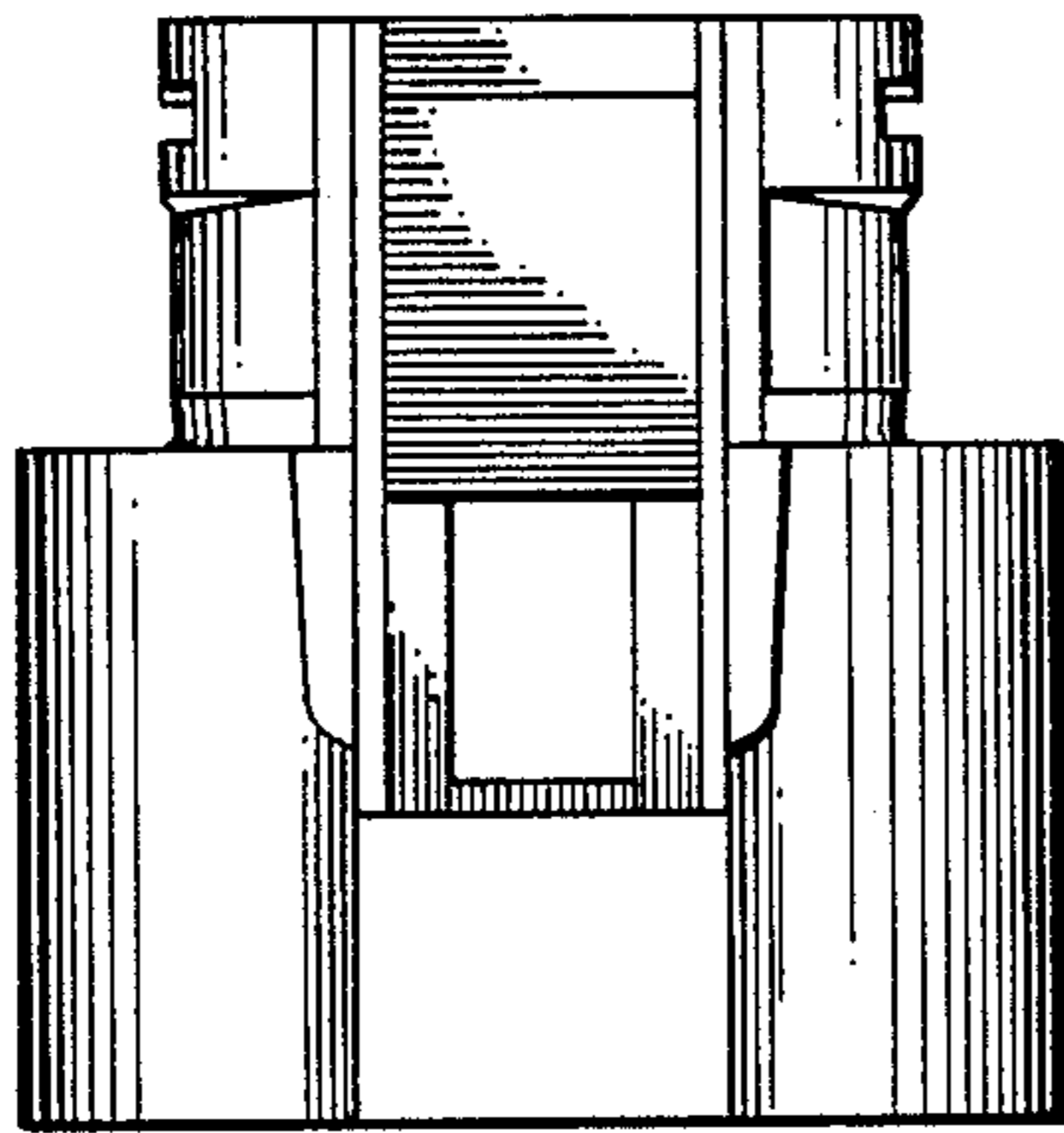


Fig. 11

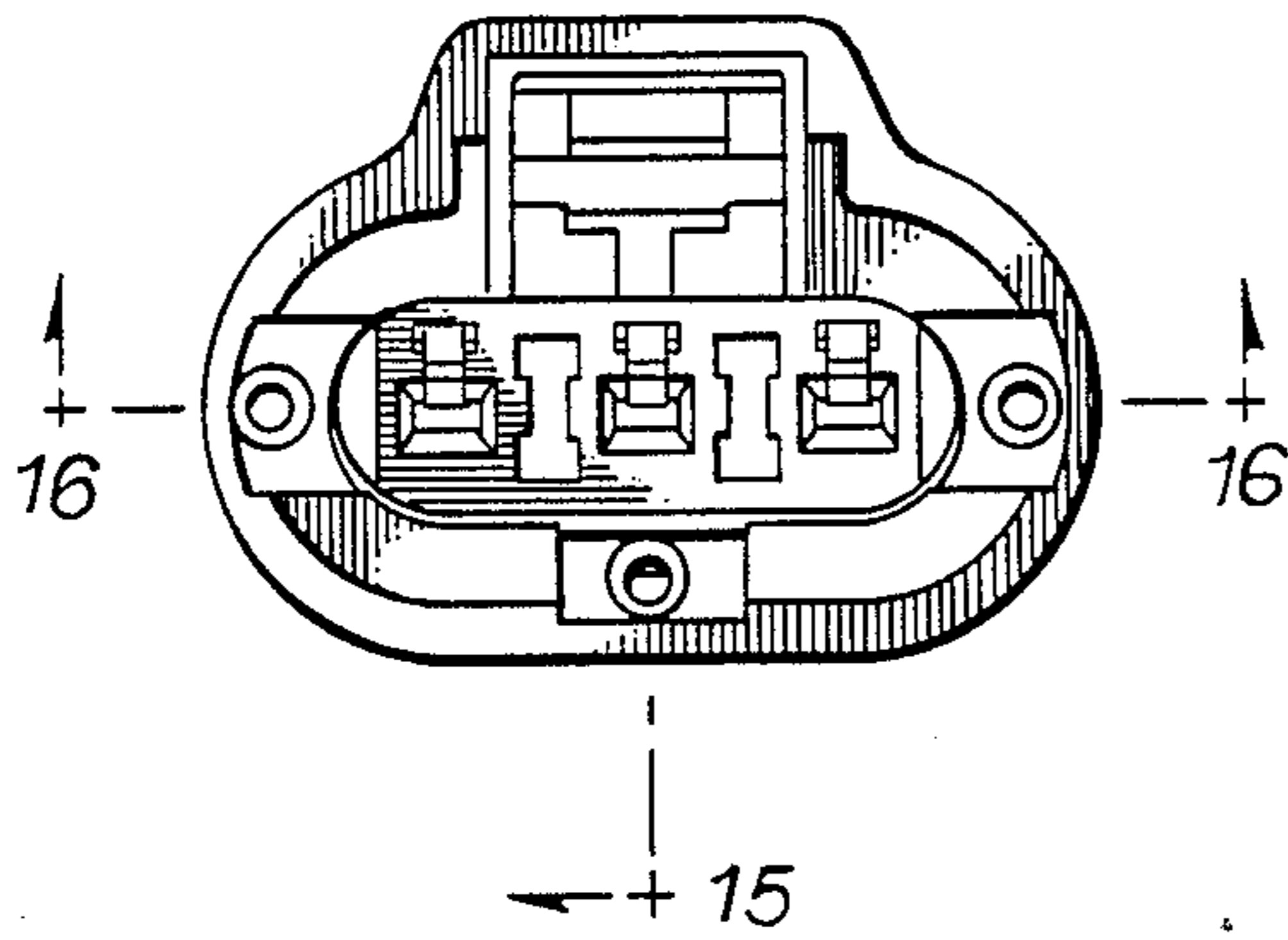
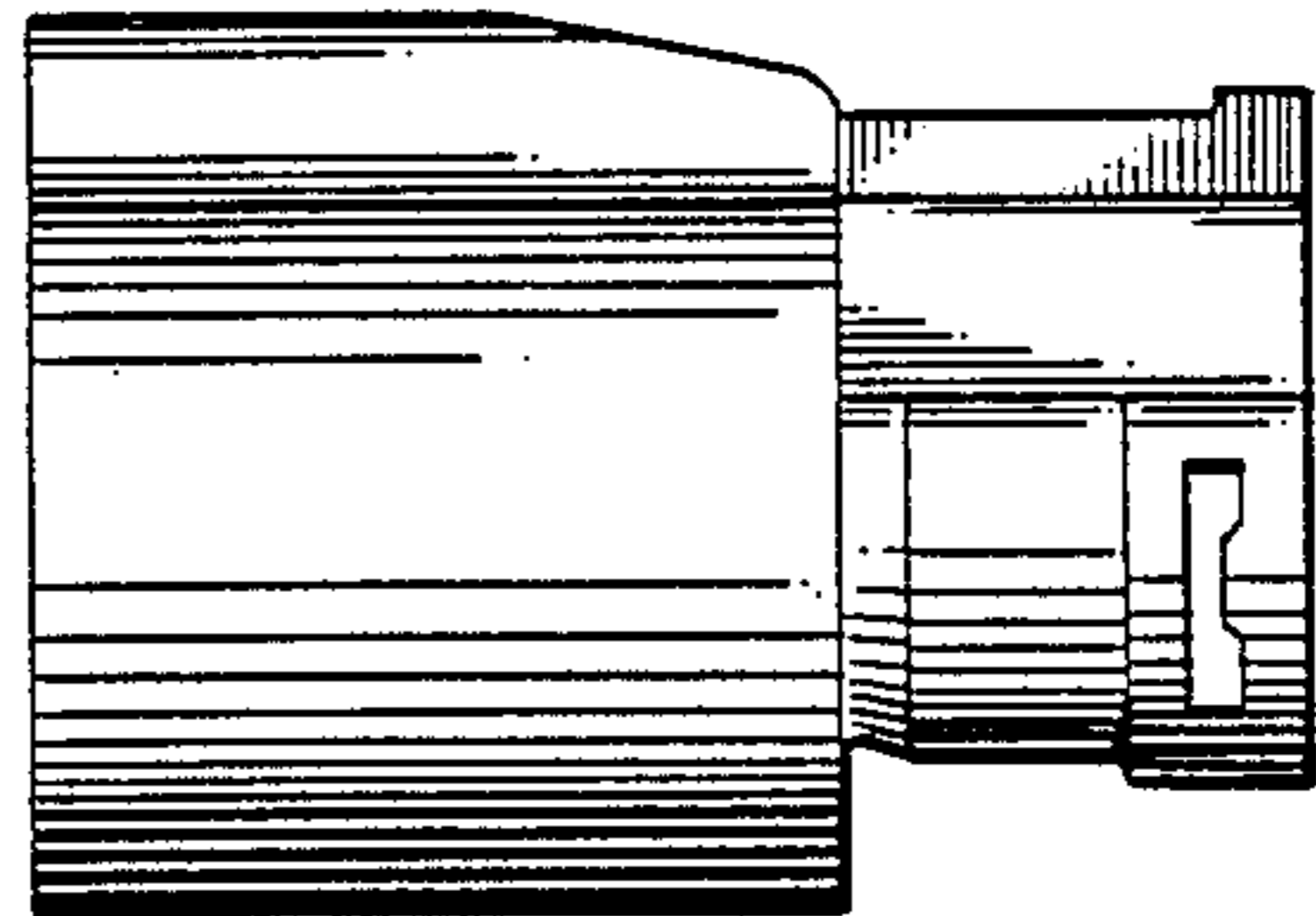


Fig. 12



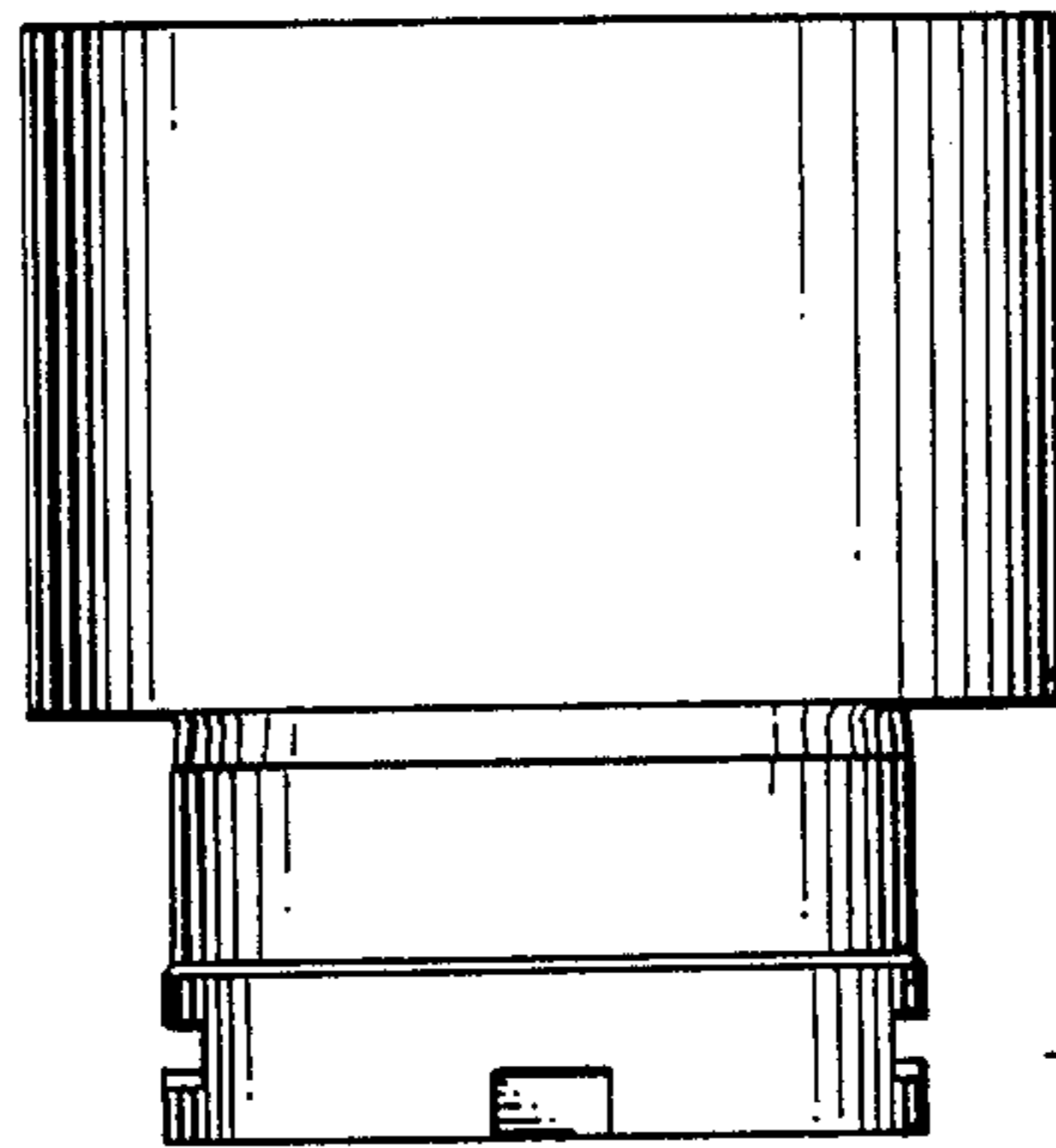


Fig. 13

Fig. 14

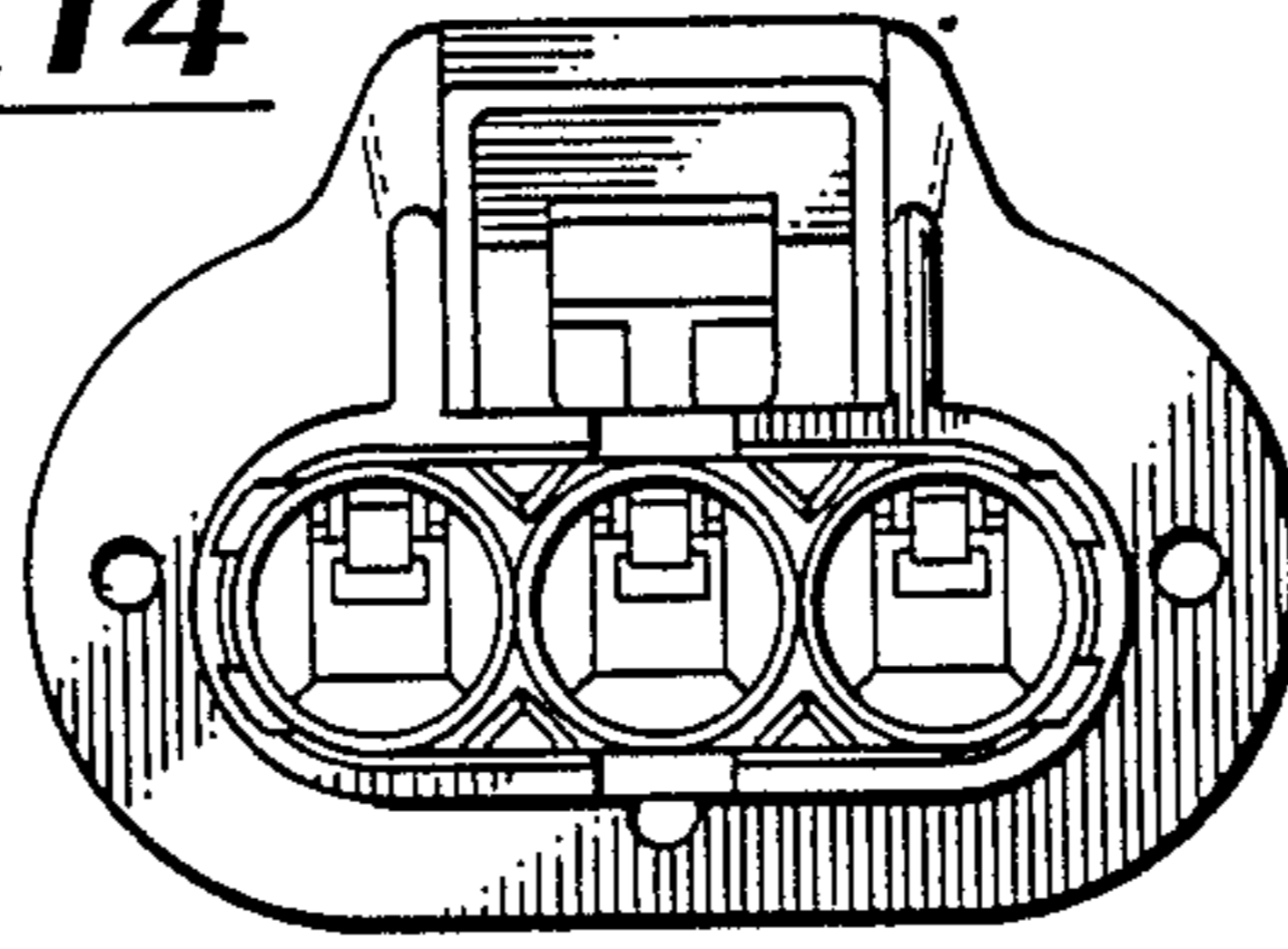


Fig. 15

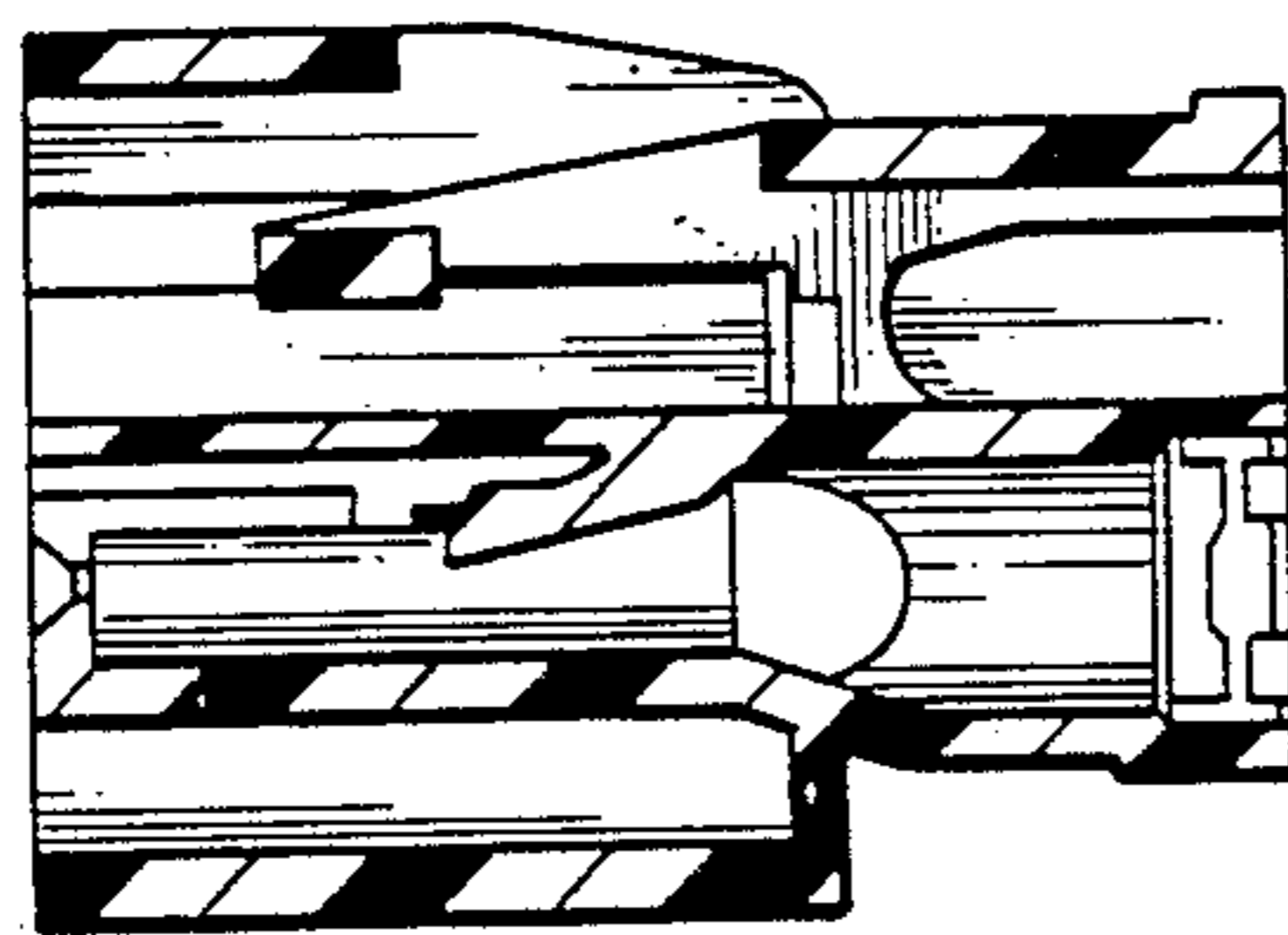


Fig. 16

