

[54] **SOLAR GENERATOR**

4,553,037 11/1985 Veazey ..... 290/44

[76] **Inventor: Herbert A. Geisler, Jr., Rte.  
#2—Box 27E, Decaturville, Tenn.  
38329**

**FOREIGN PATENT DOCUMENTS**

2585182 1/1987 France ..... 136/291

[\*\*] **Term: 14 Years**

*Primary Examiner*—Susan J. Lucas  
*Assistant Examiner*—Joel Sincavage  
*Attorney, Agent, or Firm*—Richard C. Litman

[21] **Appl. No.: 184,718**

[57] **CLAIM**

[22] **Filed: Apr. 22, 1988**

[52] **U.S. Cl. .... D13/102**

The ornamental design for a solar generator, as shown and described.

[58] **Field of Search ..... D13/3.1, 102; 136/243,  
136/246, 251, 291**

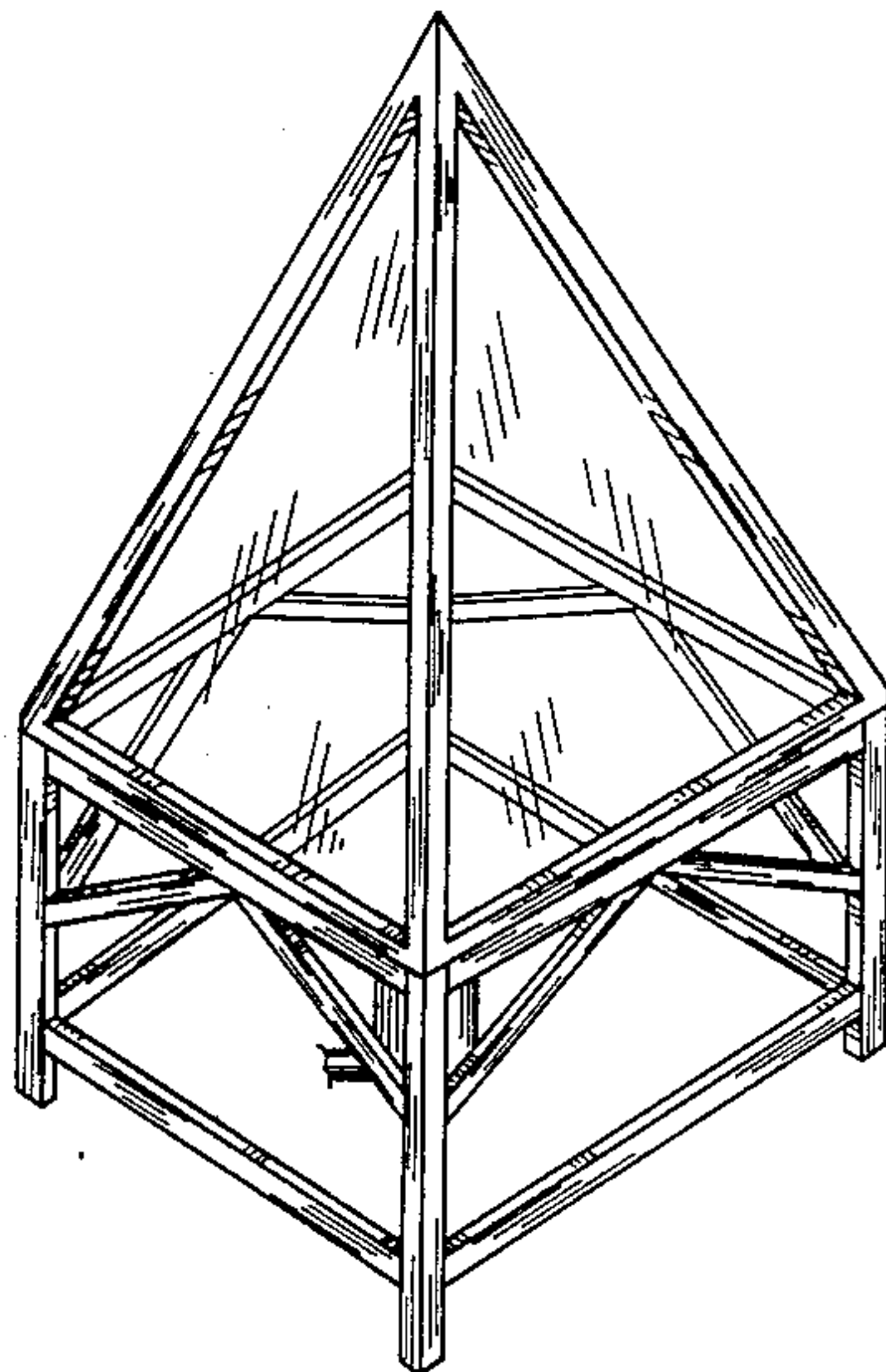
**DESCRIPTION**

[56] **References Cited**

**U.S. PATENT DOCUMENTS**

4,249,520	2/1981	Orillion	136/246
4,281,641	8/1981	Devore	126/417
4,398,053	8/1983	Orillion	136/248
4,499,347	6/1984	Rooney	126/417

FIG. 1 is a front elevational view of a solar generator showing my new design;  
FIG. 2 is a top plan view thereof; and  
FIG. 3 is a bottom plan view thereof;  
FIG. 4 is a top front perspective view thereof, other views from various sides being identical due to the symmetrical nature of the design.



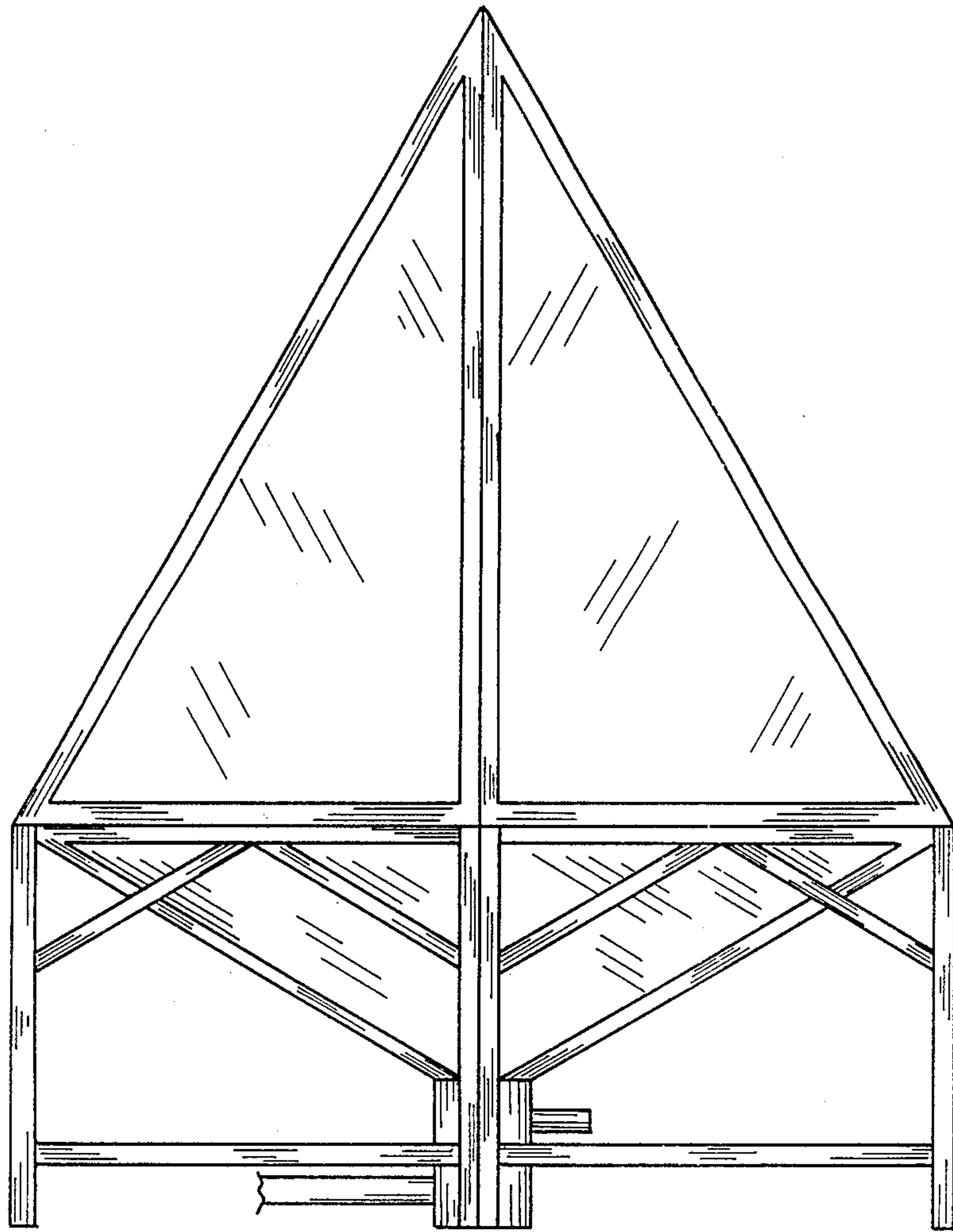


FIG. 1

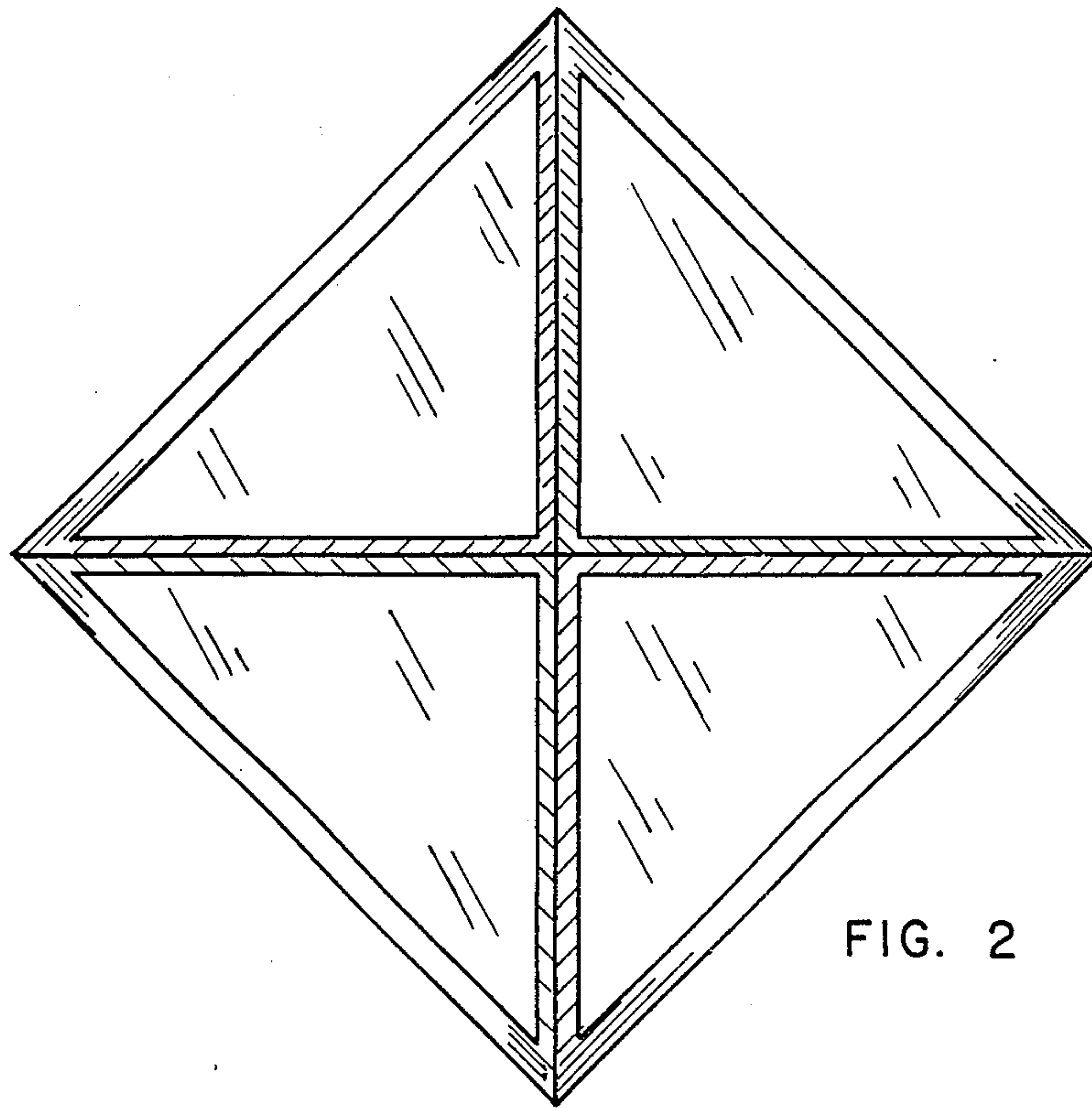


FIG. 2

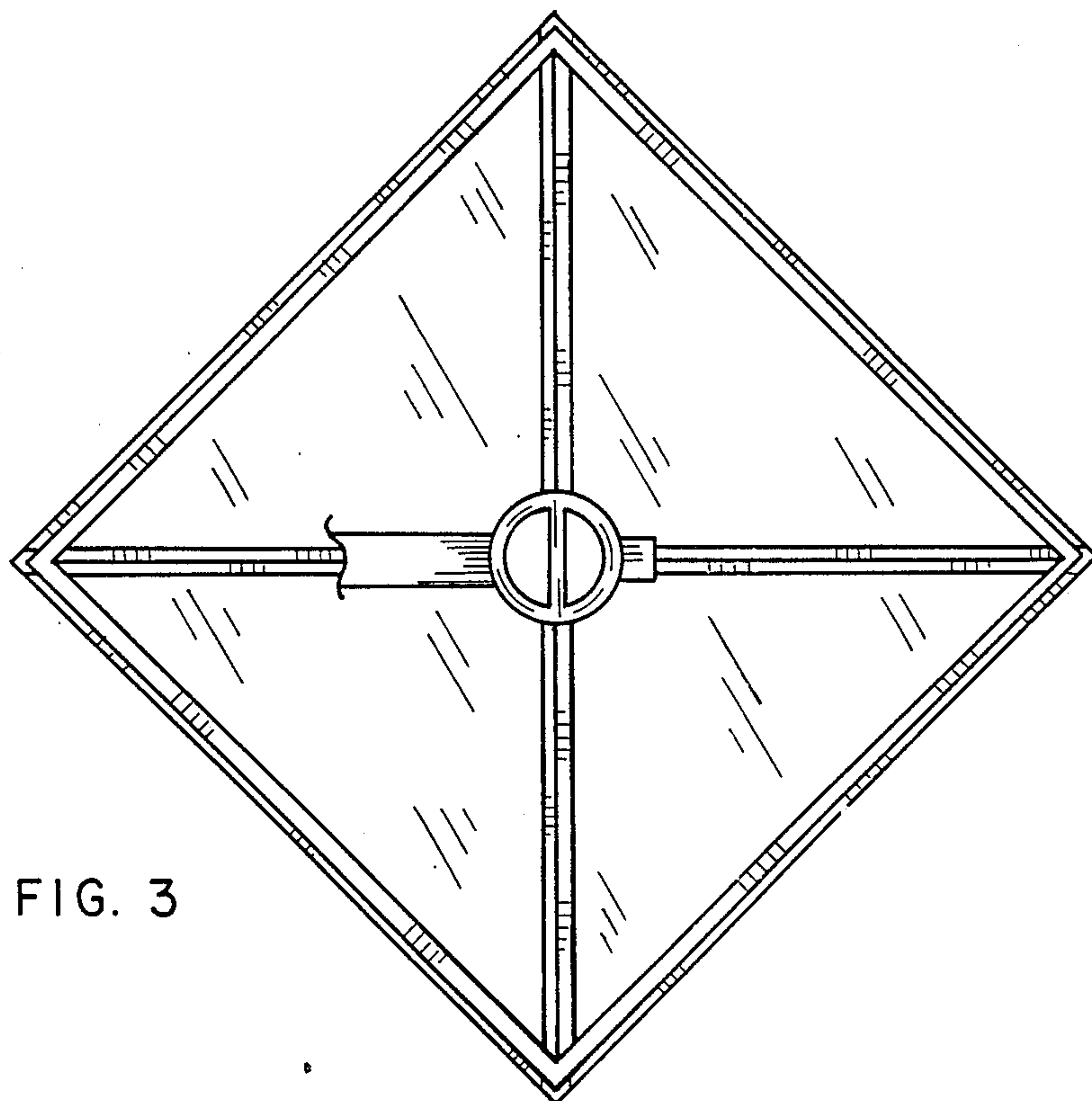


FIG. 3

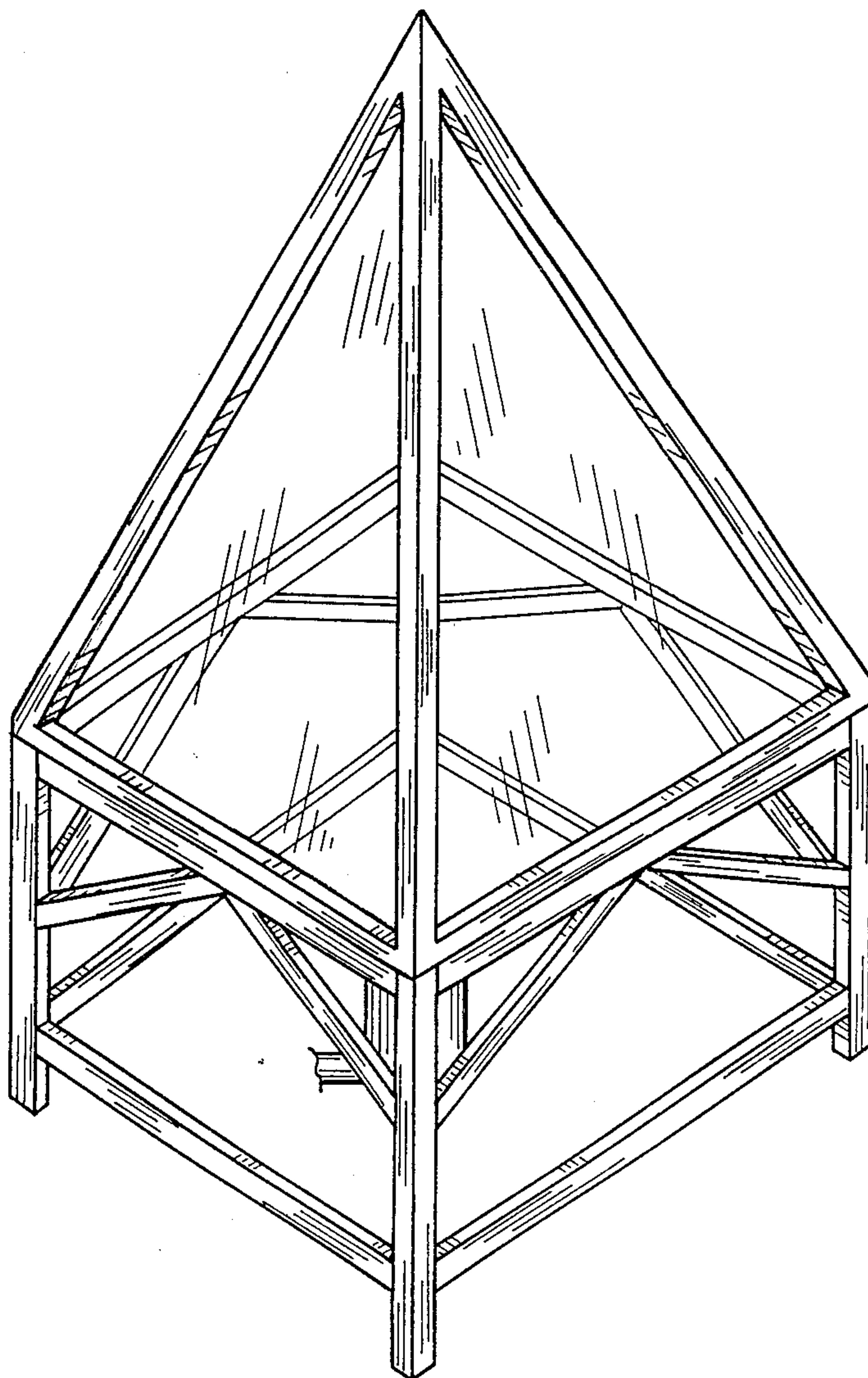


FIG. 4