

[54] CONVERTER HOUSING

[75] Inventors: Akio Itoh; Makoto Hirota; Atsushi Nagano, all of Osaka, Japan

[73] Assignee: Sharp Corporation, Osaka, Japan

[**] Term: 14 Years

[21] Appl. No.: 931,783

[22] Filed: Nov. 14, 1986

[30] Foreign Application Priority Data

May 15, 1986 [JP] Japan 61-18594

[52] U.S. Cl. D13/101

[58] Field of Search D13/4, 11, 28, 101, D13/110, 117; 200/52 R; 361/388; 363/126, 141, 146; 336/107

[56] References Cited

U.S. PATENT DOCUMENTS

2,283,732 9/1939 Hartzell et al. 336/107 X

2,416,148 5/1944 Borgerd et al. 336/107 X
3,145,384 8/1964 Nuttle 336/107 X
4,035,751 7/1977 Walthew 336/107 X

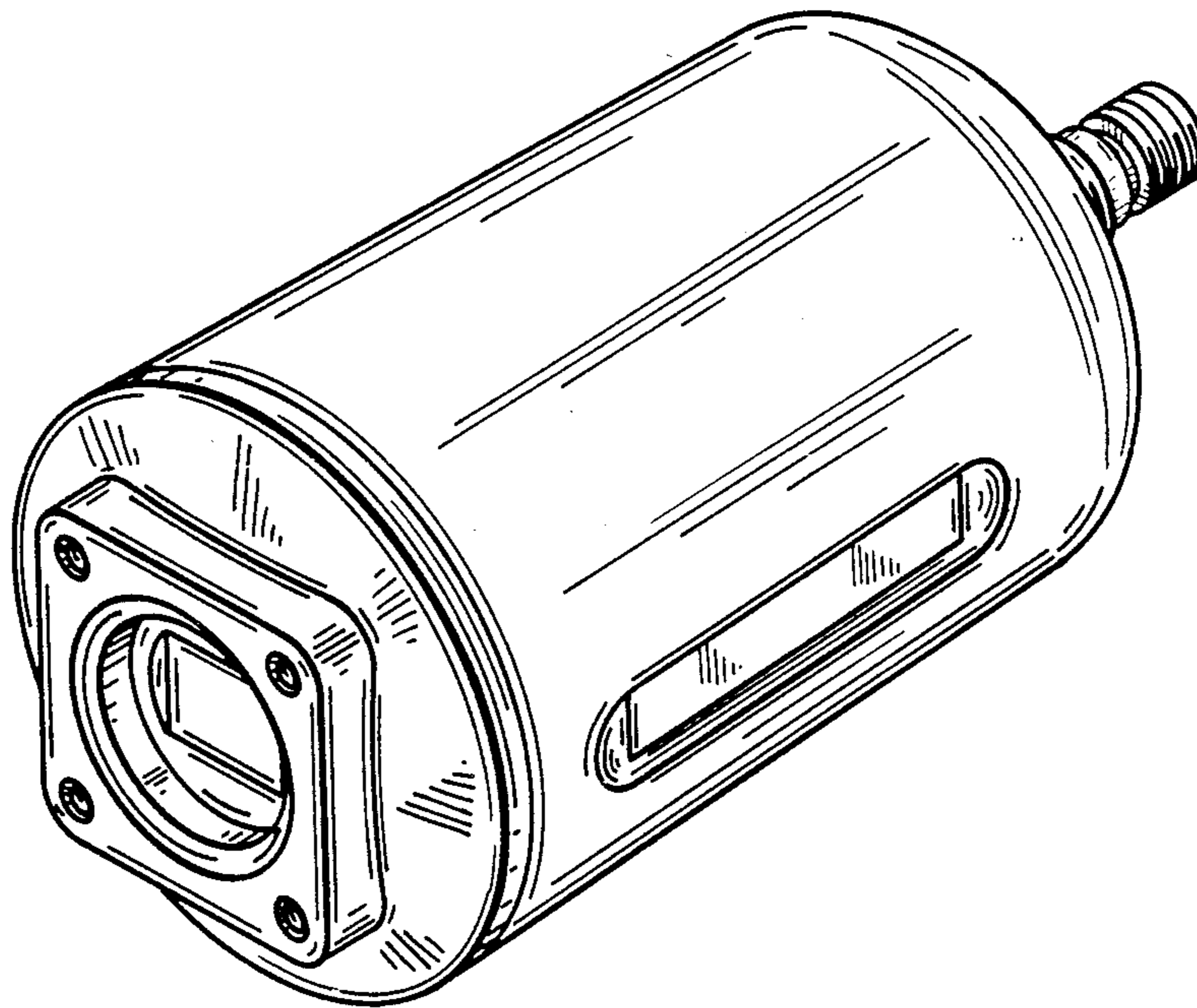
Primary Examiner—Susan J. Lucas
Assistant Examiner—Joel Sincavage
Attorney, Agent, or Firm—Flehr, Hohbach, Test, Albritton & Herbert

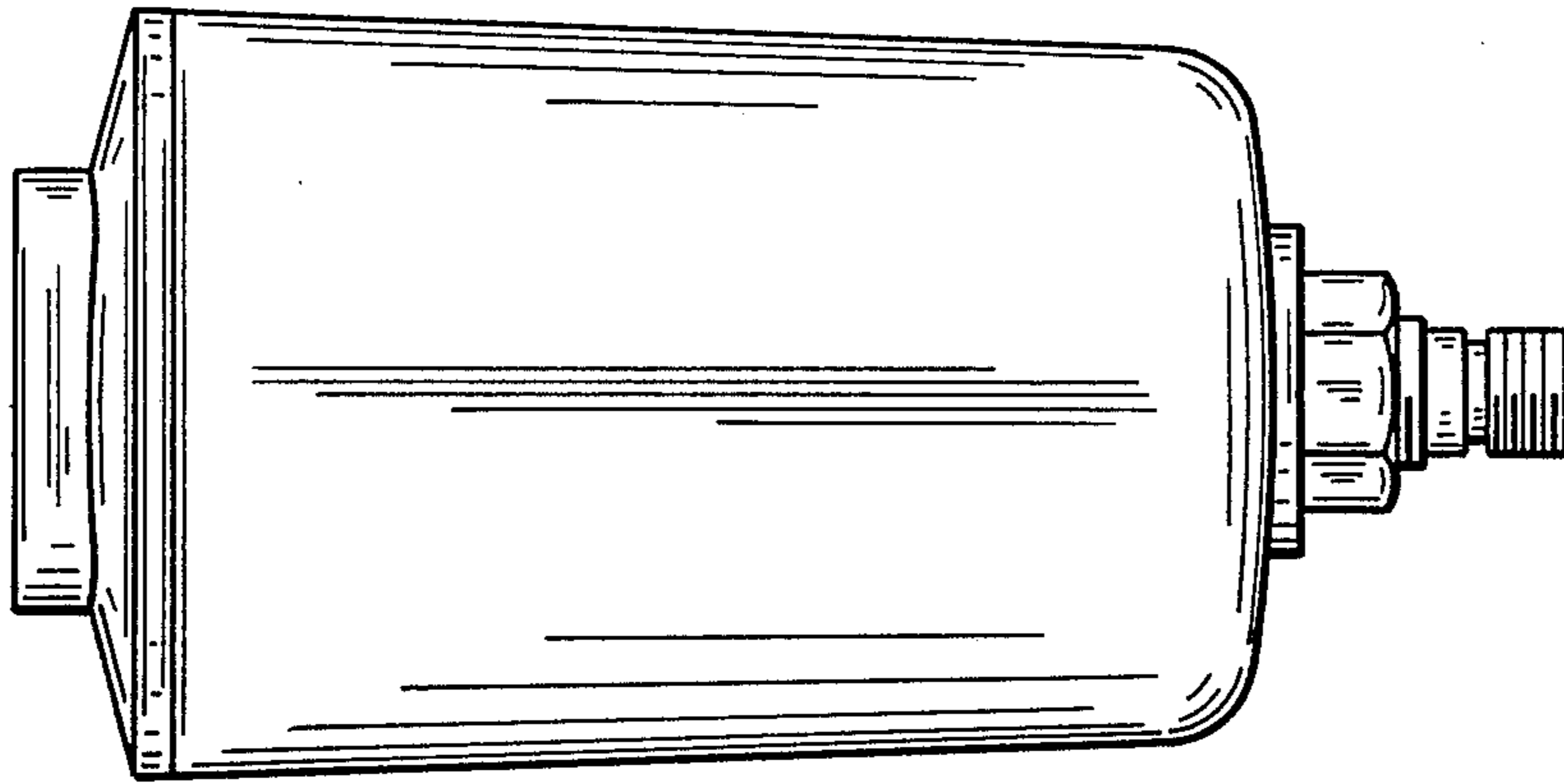
[57] CLAIM

The ornamental design for a converter housing, as shown and described.

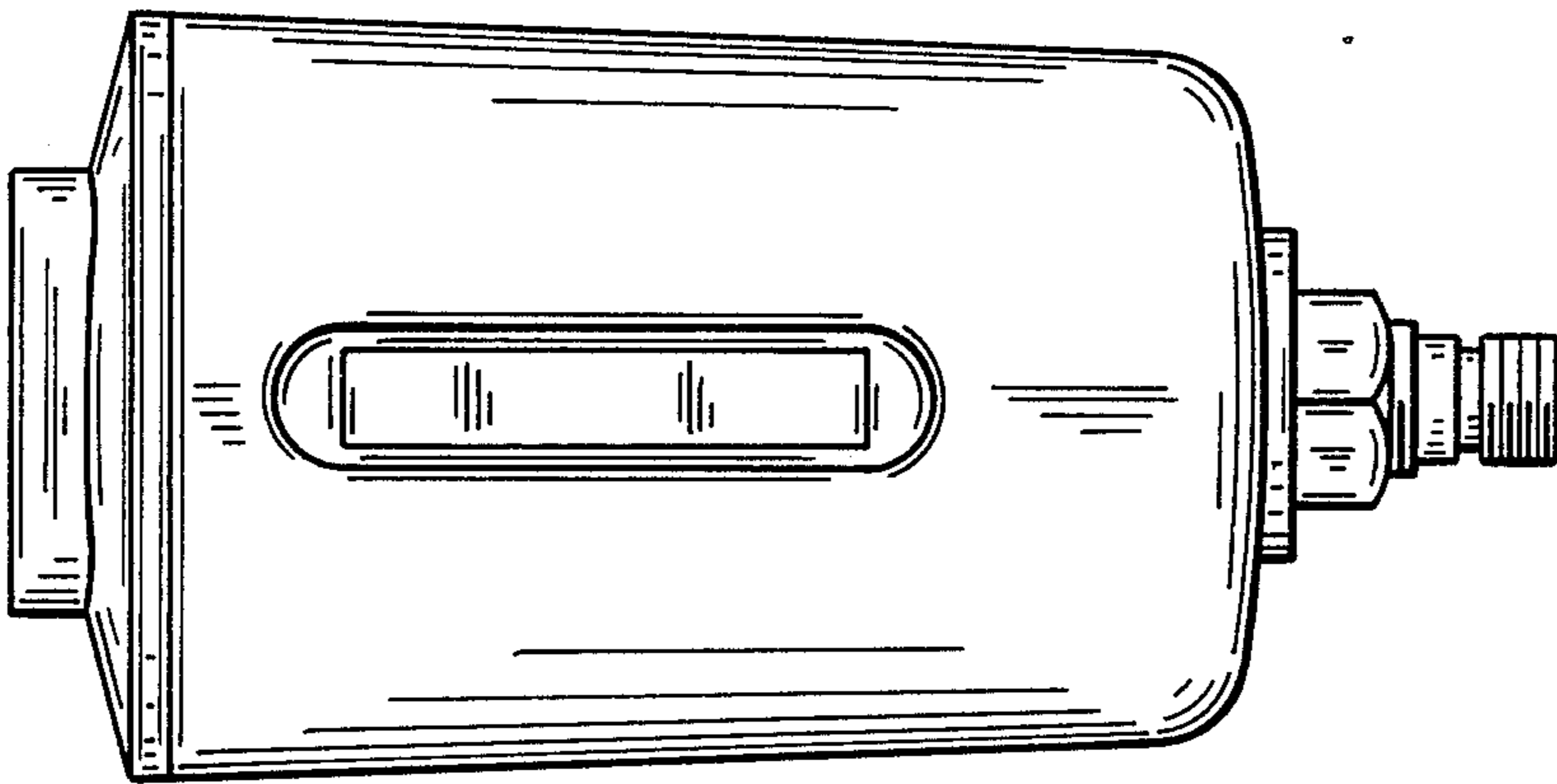
DESCRIPTION

FIG. 1 is a top plan view of the converter housing showing our new design, the bottom plan and rear elevational views being mirror images thereof; FIG. 2 is a front elevational view thereof; FIG. 3 is a right side elevational view thereof; FIG. 4 is a left side elevational view thereof; FIG. 5 is a perspective view of the converter housing as seen from the front upper left.

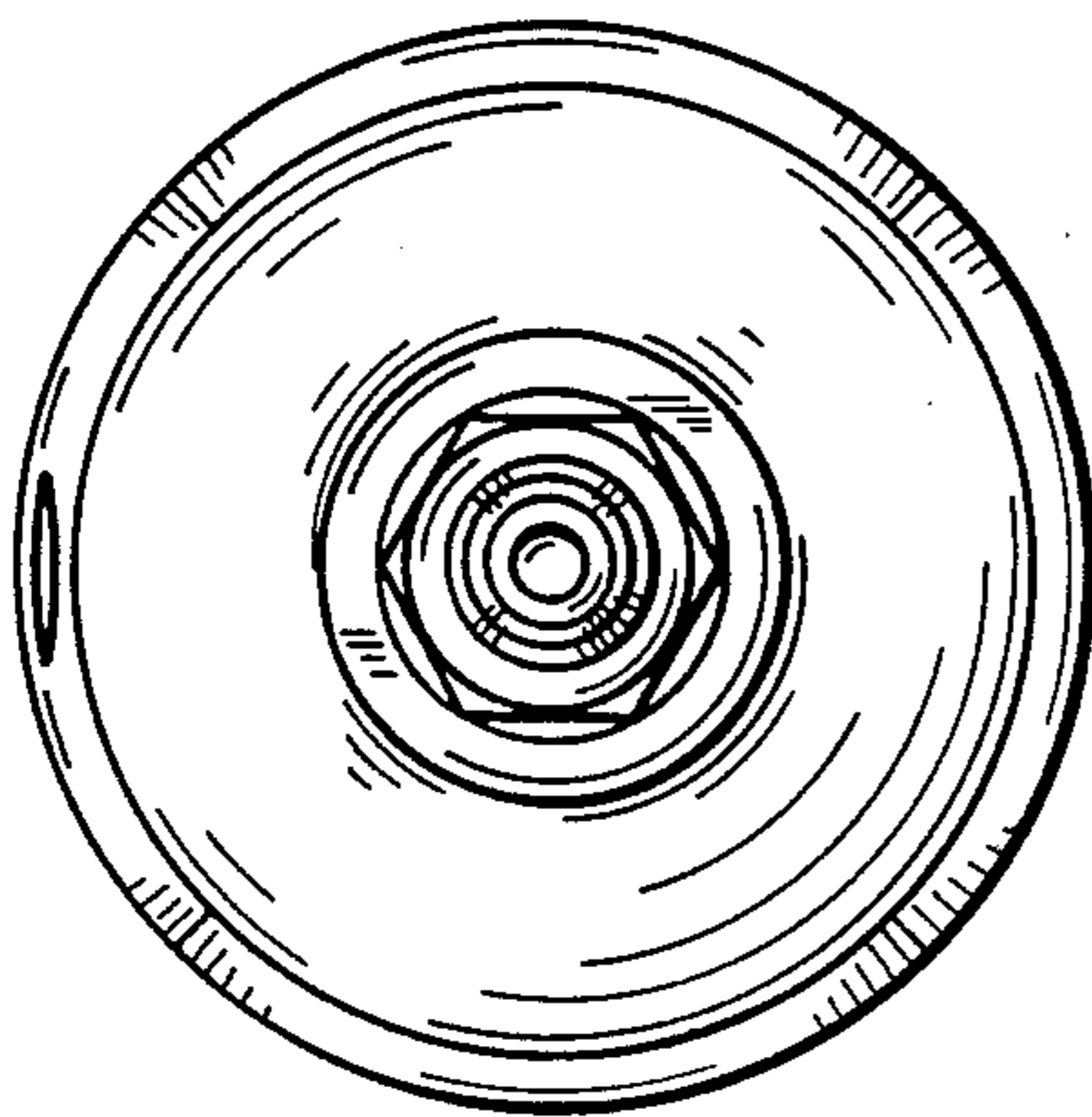




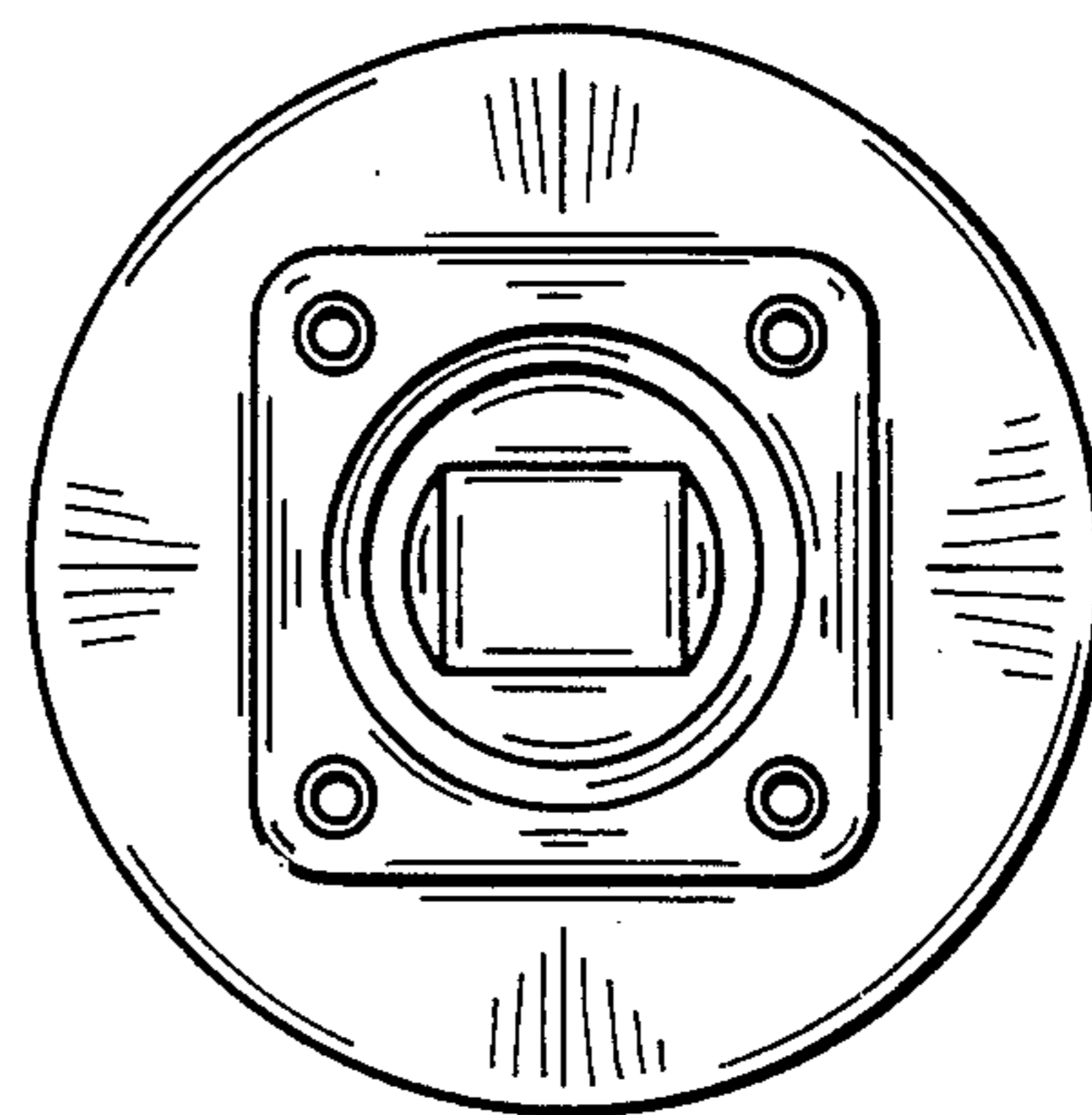
FIG_1



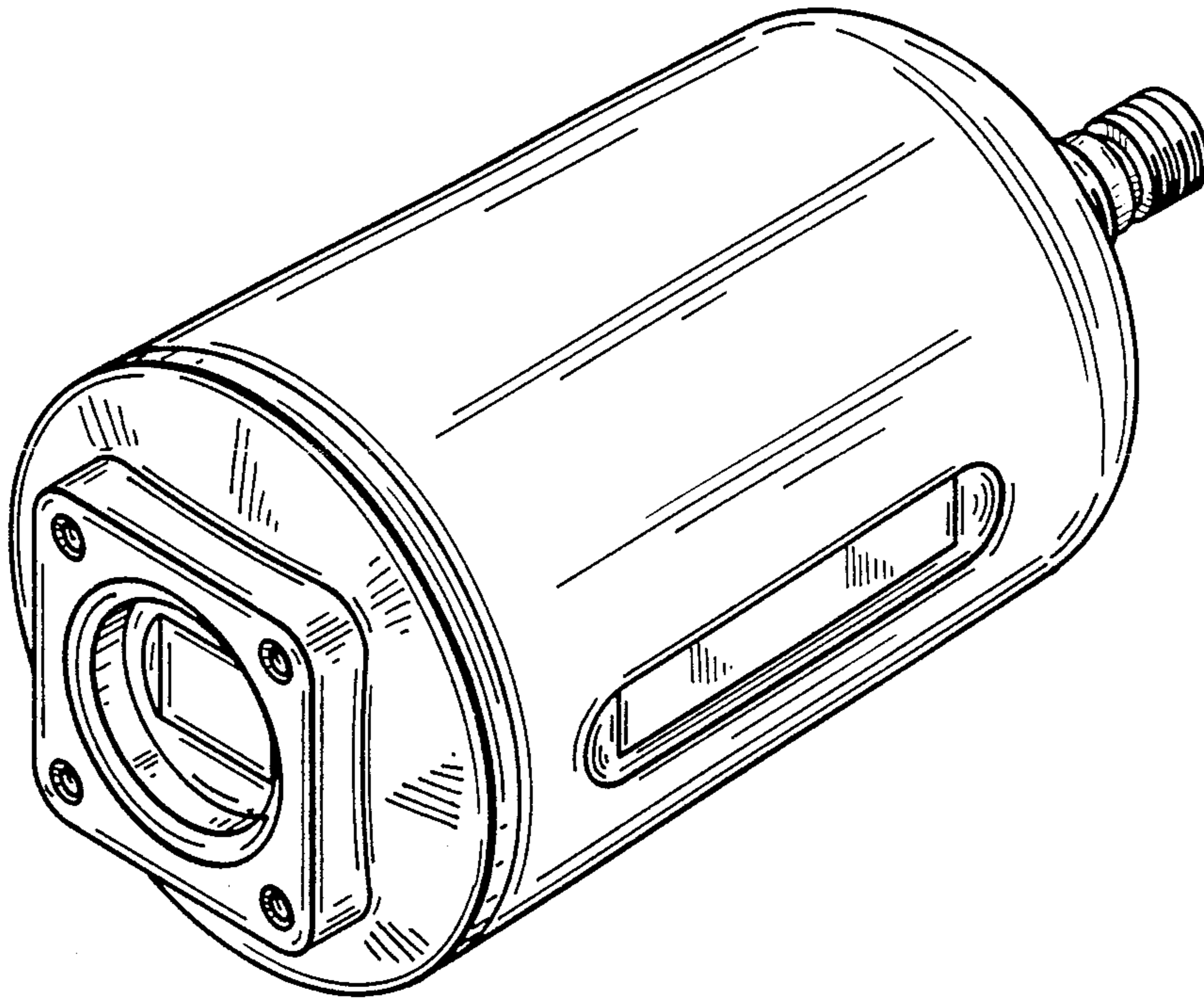
FIG_2



FIG_3



FIG_4



FIG_5