

[54] **TRAILER HITCH GUIDE**

[76] **Inventor: Carl E. Craig, 3036 Walnut Ave.,  
Grand Junction, Colo. 81504**

[\*\*] **Term: 14 Years**

[21] **Appl. No.: 205,797**

[22] **Filed: Jun. 13, 1988**

[52] **U.S. Cl. .... D12/162**

[58] **Field of Search ..... D12/162; 280/477**

[56] **References Cited**

**U.S. PATENT DOCUMENTS**

3,675,947	7/1972	Slagg .....	280/477
3,879,062	4/1975	Miller .....	280/477
4,226,438	10/1980	Collins .....	280/477
4,657,273	4/1987	Carroll .....	280/477
4,781,394	11/1988	Schwarz et al. ....	280/477
4,840,392	6/1989	Baskett .....	280/477

4,844,496 7/1989 Webb et al. .... 280/477

*Primary Examiner*—James M. Gandy  
*Assistant Examiner*—Melody Brown  
*Attorney, Agent, or Firm*—Donald W. Erickson

[57] **CLAIM**

The ornamental design for a trailer hitch guide, as shown and described.

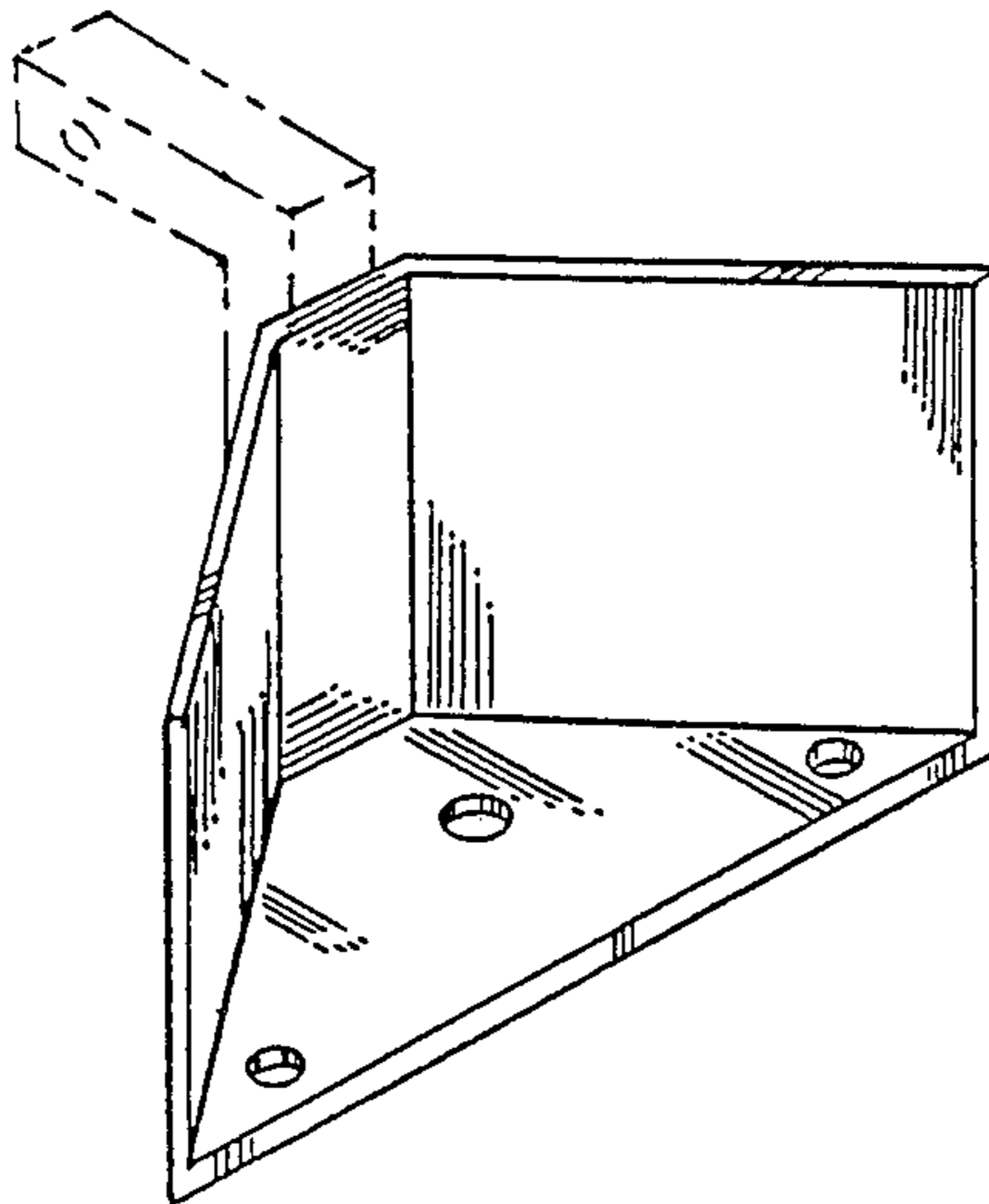
**DESCRIPTION**

FIG. 1 is a perspective view of a trailer hitch guide showing my new design, it being understood that the broken lines are for illustrative purposes only and form no part of the claimed design;

FIG. 2 is a top plan view thereof; and

FIG. 3 is a side elevation view thereof, the opposite side being a mirror image of that shown.

The bottom of the trailer hitch guide is understood to be substantially flat and unornamented.



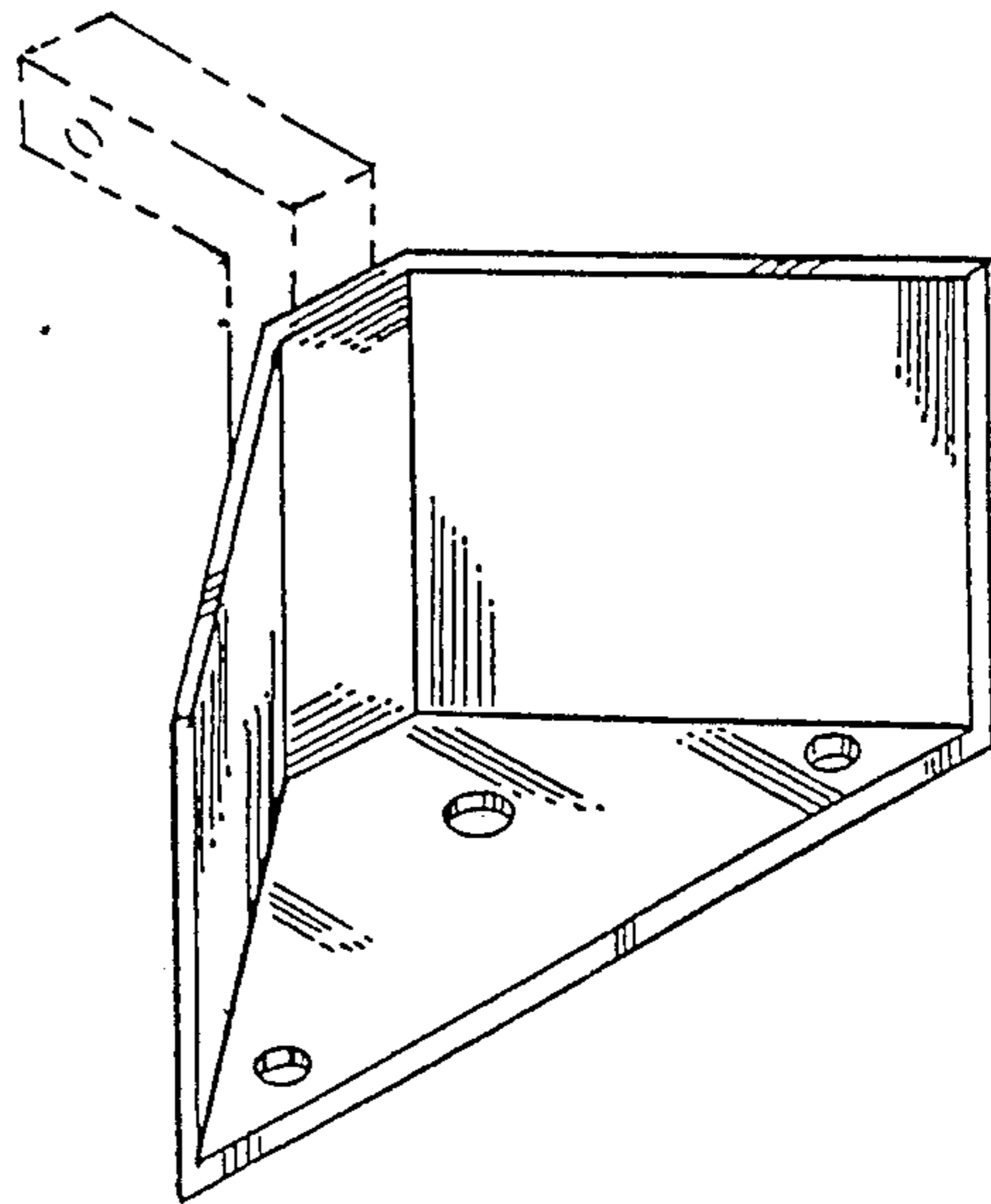


FIG. 1

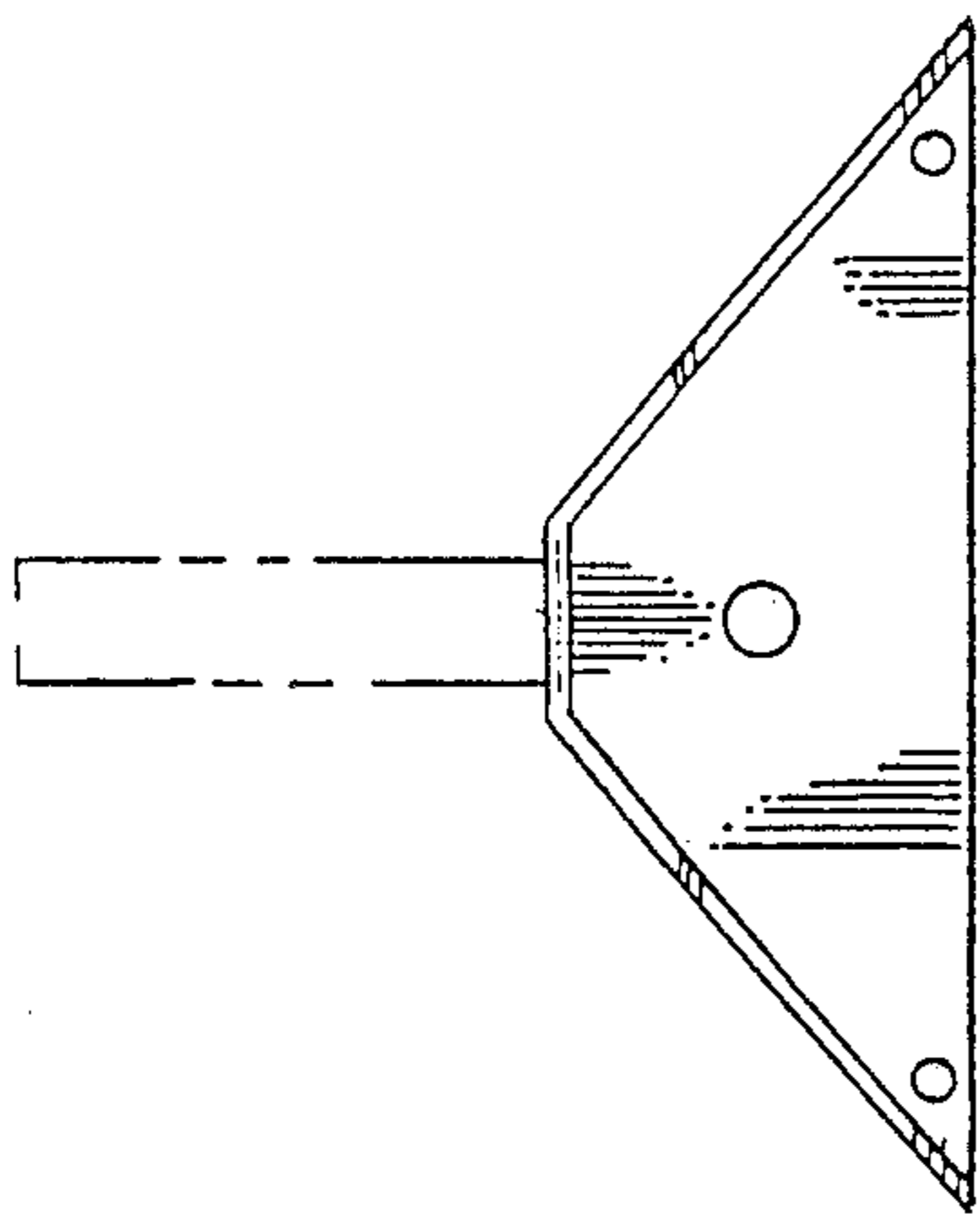


FIG. 2

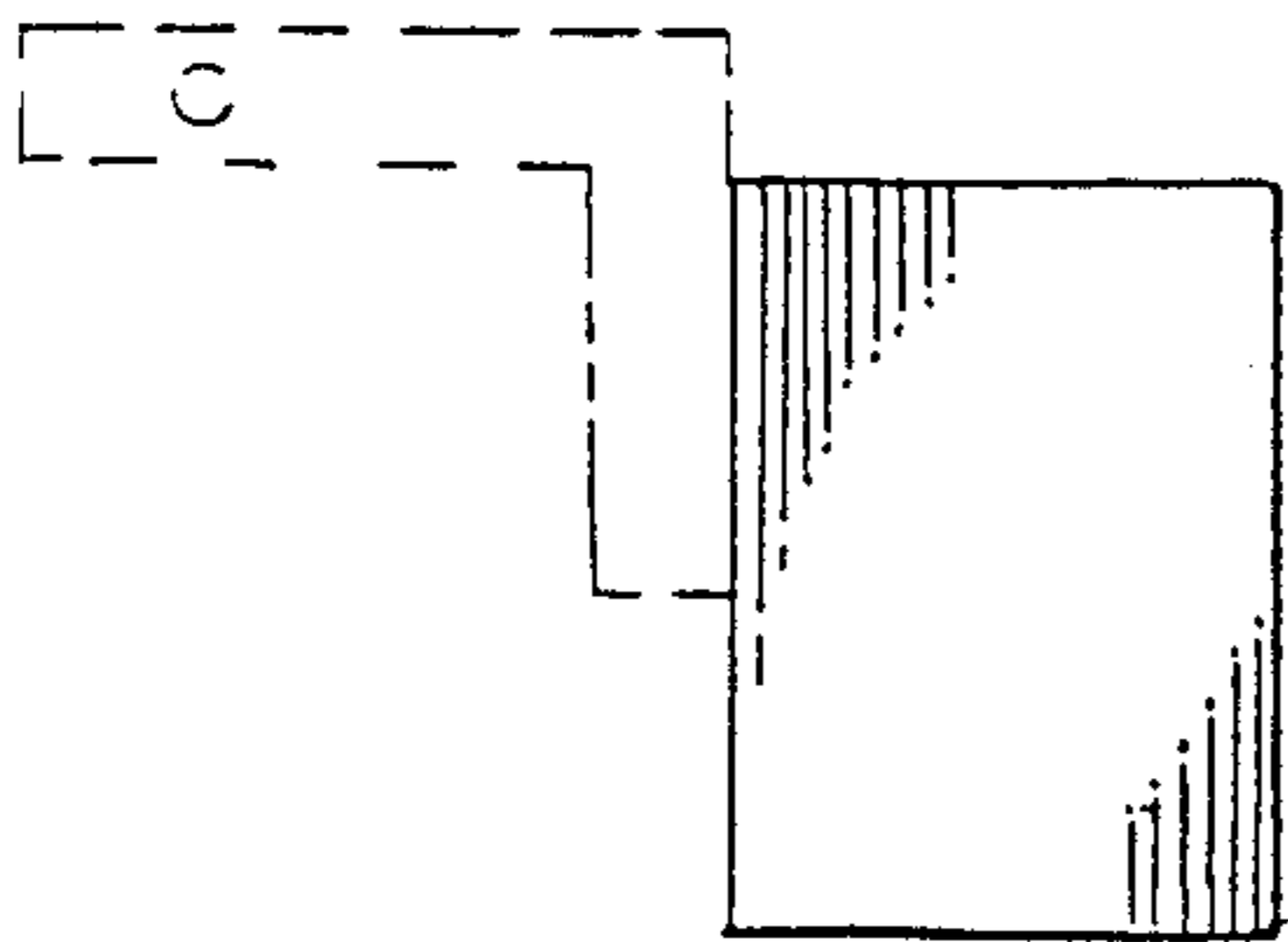


FIG. 3