

[54] PATIENT'S CHAIR

[75] Inventors: Raymond A. Failor, Seville; Eugene P. Hayton, Medina, both of Ohio

[73] Assignee: Hausted, Inc., Medina, Ohio

[**] Term: 14 Years

[21] Appl. No.: 93,896

[22] Filed: Sep. 4, 1987

[52] U.S. Cl. D12/131; D6/365

[58] Field of Search D6/334, 360, 361, 364, D6/365, 366; D24/1.1; D12/129, 128

[56] References Cited

U.S. PATENT DOCUMENTS

D. 153,735	5/1949	Staudt	D6/360
D. 168,524	12/1952	Thomas	D6/486
D. 177,765	5/1956	Romito	D6/360
D. 194,673	2/1963	Watlington	D6/360
D. 292,350	10/1987	Goldman	D6/361
D. 298,988	12/1988	Smith	D6/366

2,672,917	5/1950	Collura	297/70
2,770,289	8/1954	McKelidrey	297/70
4,637,652	1/1987	Bergenwall	297/90
4,745,647	5/1988	Goodwin	5/67
4,858,260	9/1989	Failor et al.	5/67

Primary Examiner—Bruce W. Dunkins
Assistant Examiner—J. H. Musgrove
Attorney, Agent, or Firm—Hoffmann & Baron

[57] CLAIM

The ornamental design for a patient's chair, as shown and described.

DESCRIPTION

FIG. 1 is a front perspective view of a patient's chair showing our new design on a reduced scale; FIG. 2 is a side elevation view thereof, the opposite side being a mirror image thereof; FIG. 3 is a front elevation view thereof; FIG. 4 is a rear elevation view thereof; FIG. 5 is a top plan view thereof; and FIG. 6 is a bottom plan view thereof;

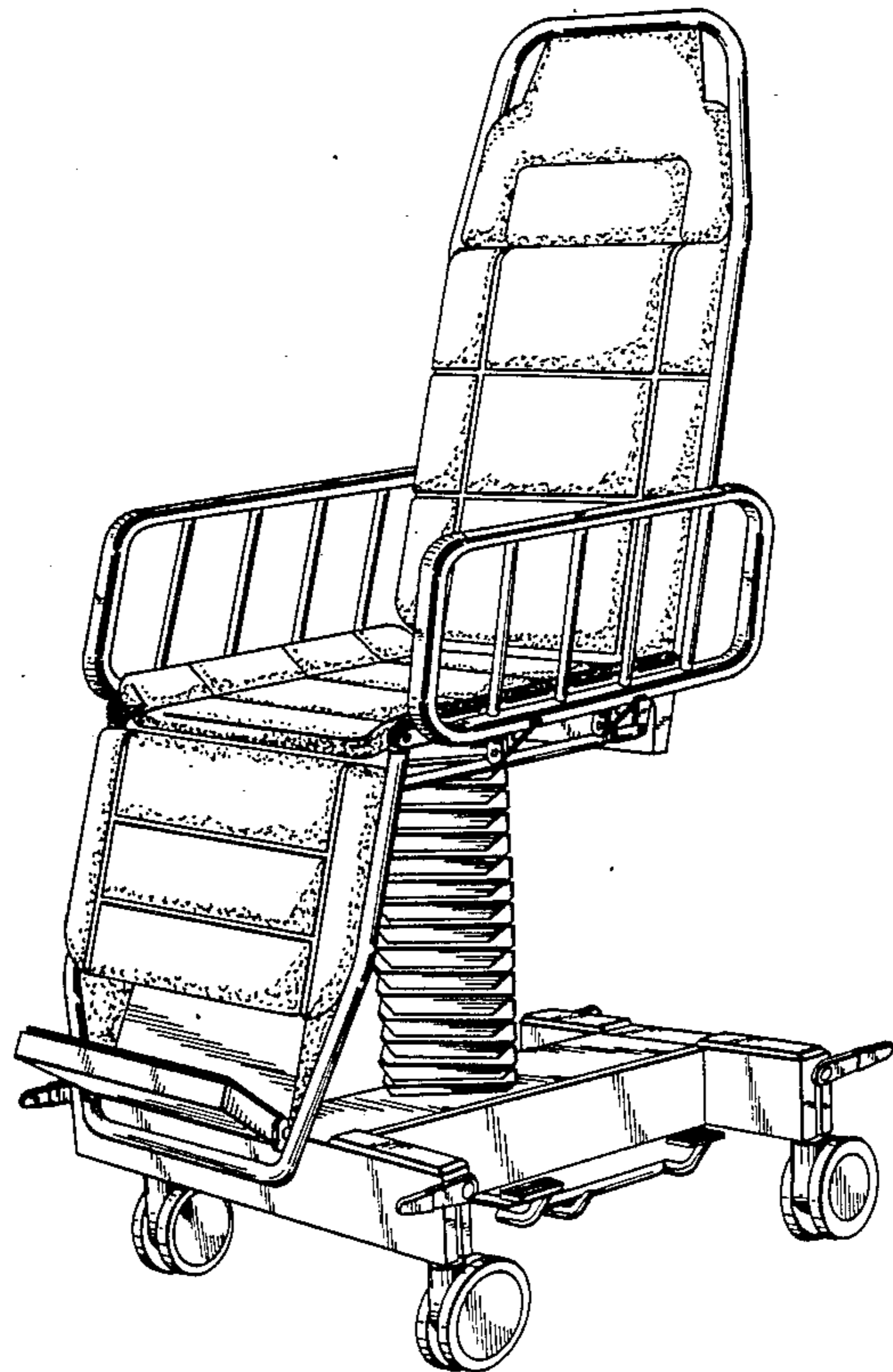


FIG. 1

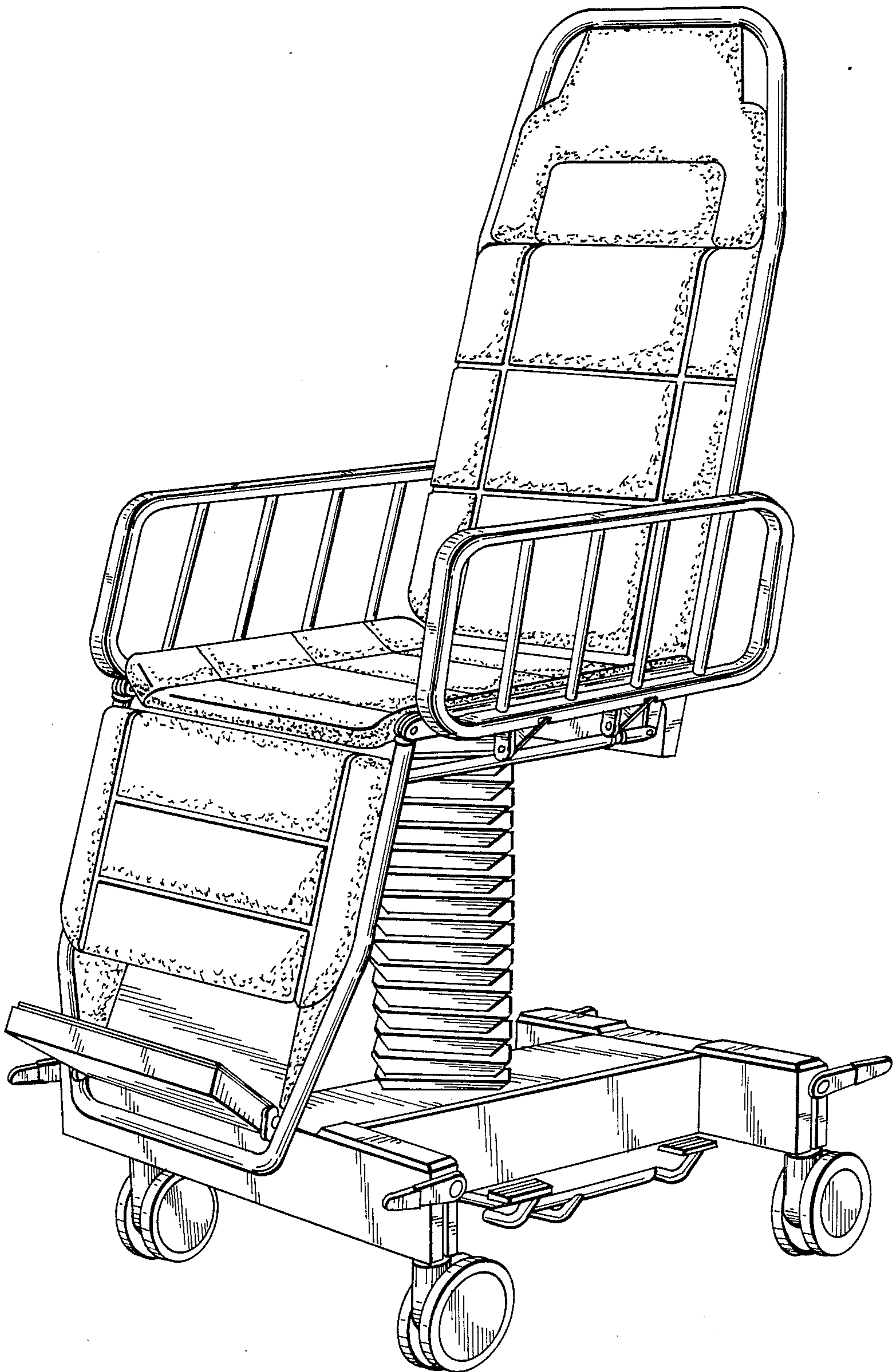


FIG. 2

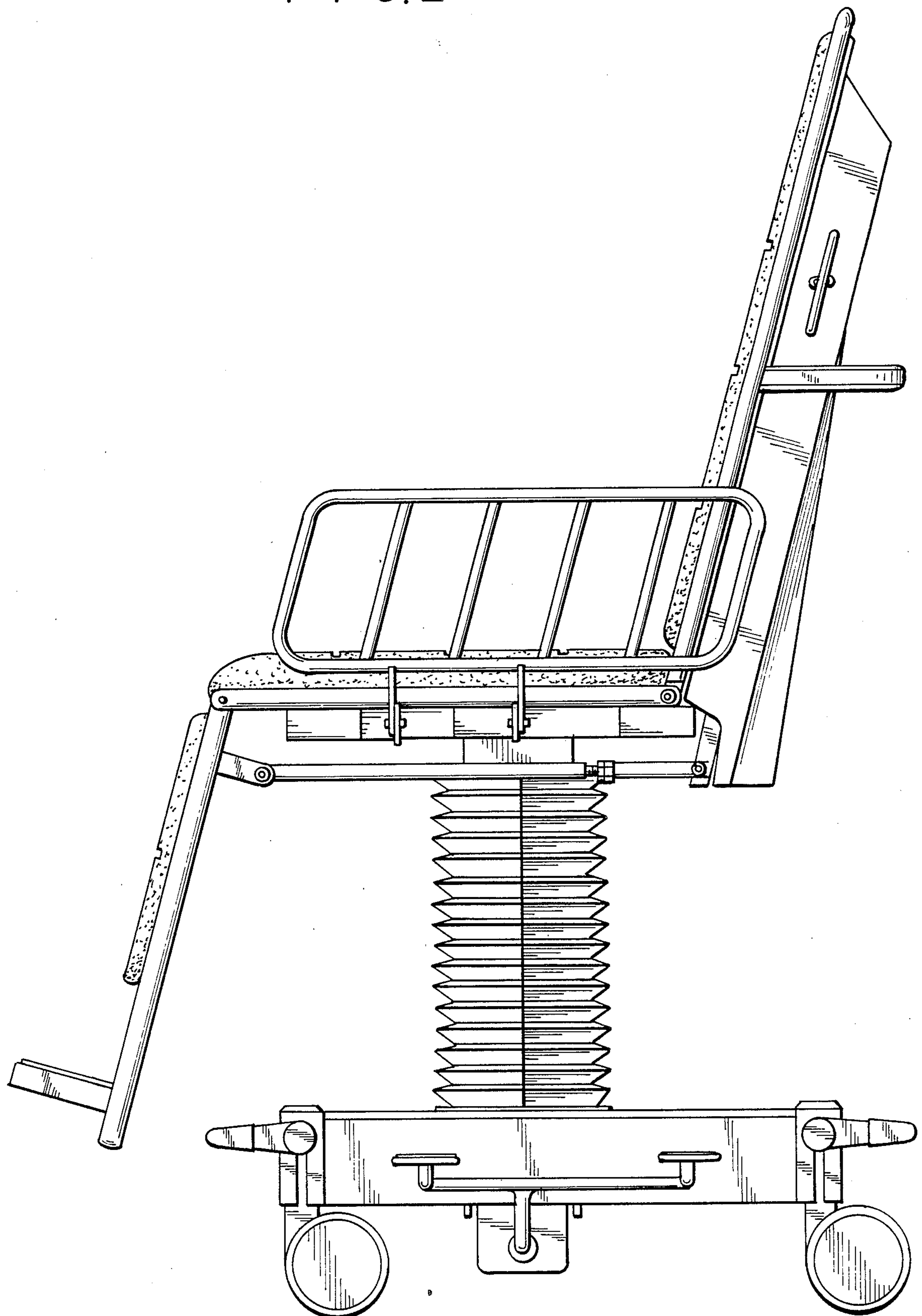


FIG. 3

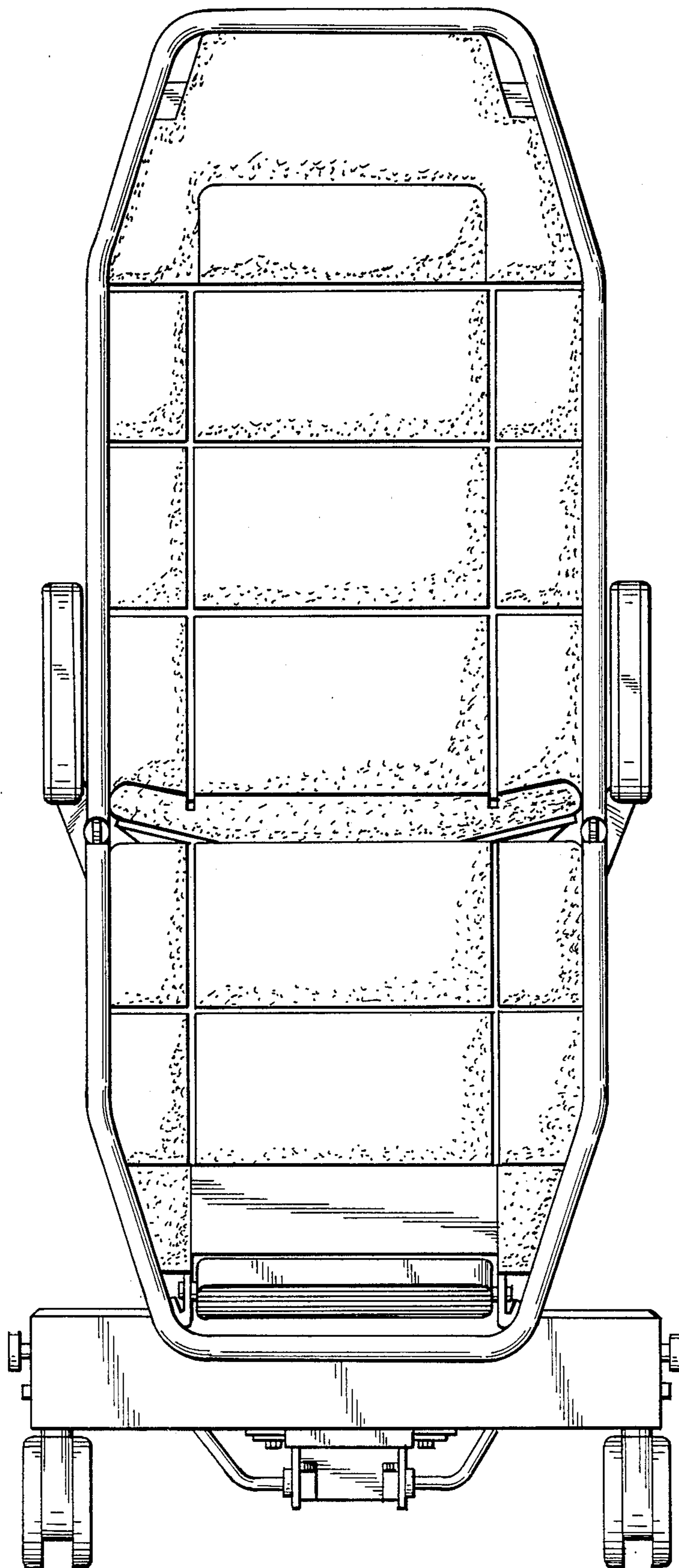


FIG. 4

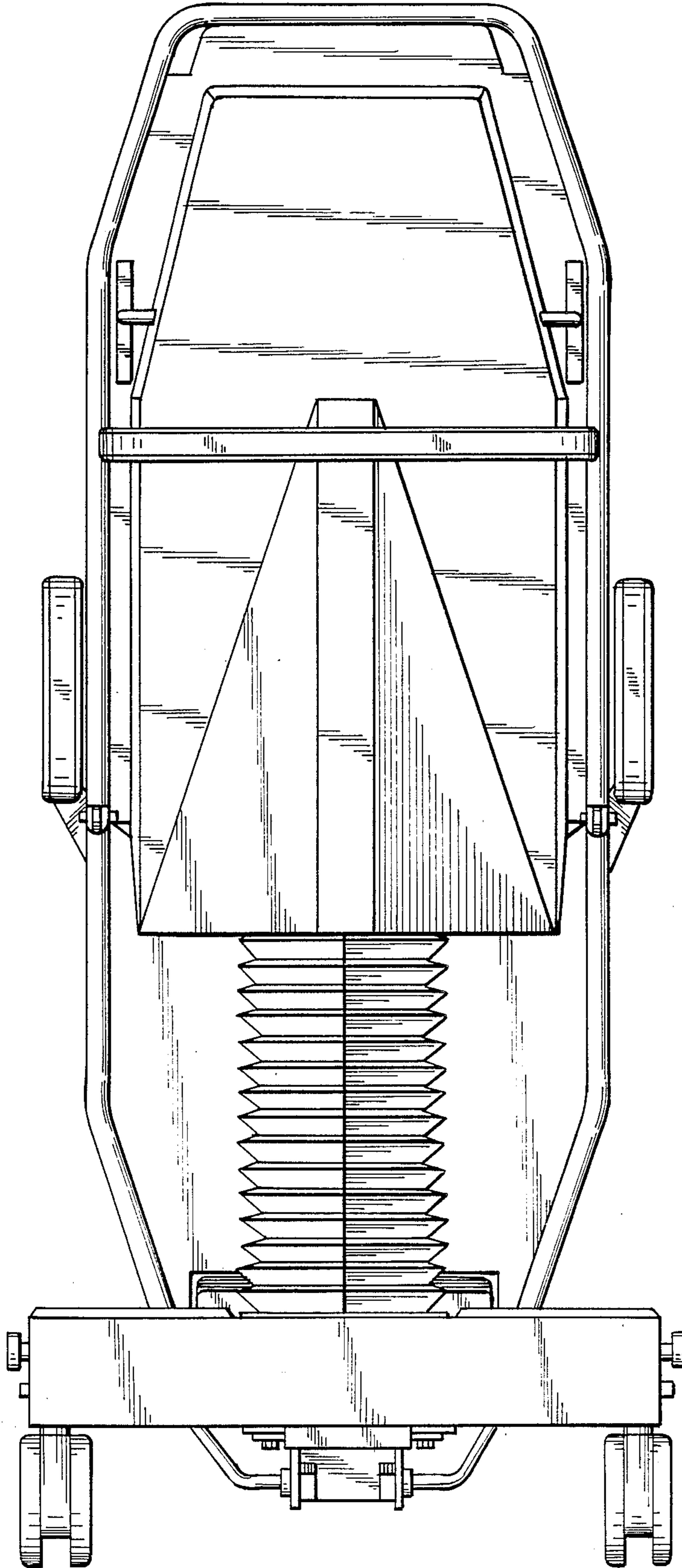


FIG. 5

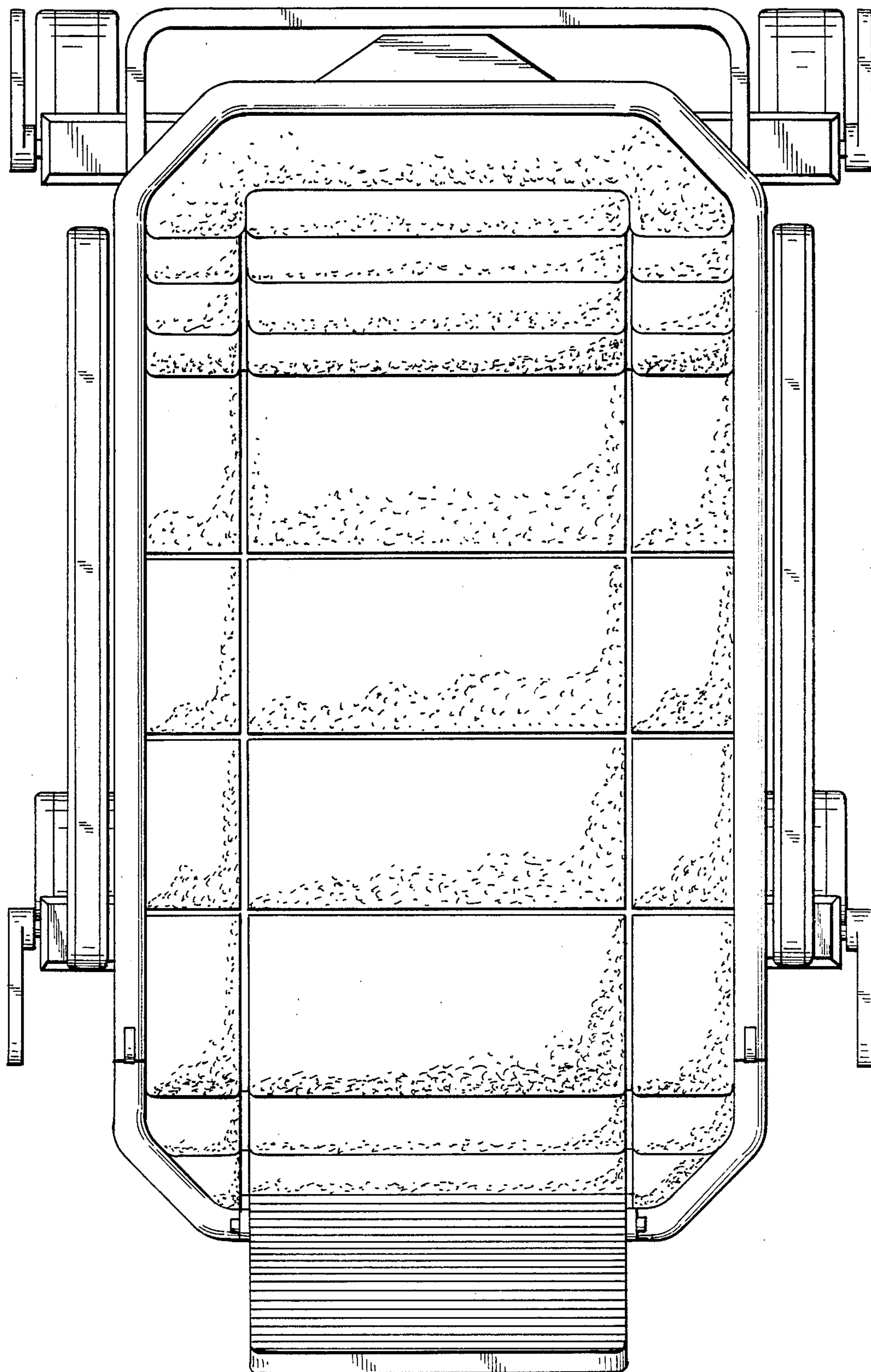


FIG. 6

