

[54] BICYCLE FRAME

[75] Inventors: William J. Rieger, Dayton; Joseph F. Skrivan, Middletown, both of Ohio

[73] Assignee: Huffy Corporation, Miamisburg, Ohio

[\*\*] Term: 14 Years

[21] Appl. No.: 210,957

[22] Filed: Jun. 24, 1988

[52] U.S. Cl. .... D12/111

[58] Field of Search ..... D12/111; 280/281.1, 280/288.1

[56] References Cited

U.S. PATENT DOCUMENTS

- D. 290,592 6/1987 Levine ..... D12/111
- D. 292,074 9/1987 Schilphin ..... D12/111

OTHER PUBLICATIONS

- American Bicyclist & Motorcyclist, Dec. 1987, pp. 11 & 42, AF-2601 Bicycle Frame, Seattle Bicycle Frame.
- American Bicyclist & Motorcyclist, Aug. 1987, p. 26, Asahi's Animal Design Bicycle Frame.
- American Bicyclist & Motorcyclist, Feb. 1987, p. 105, YF-26 Bicycle Frame (Yeong Fuh).
- American Bicyclist & Motorcyclist, May 1975, p. 10, Black Diamond Bicycle Frame.

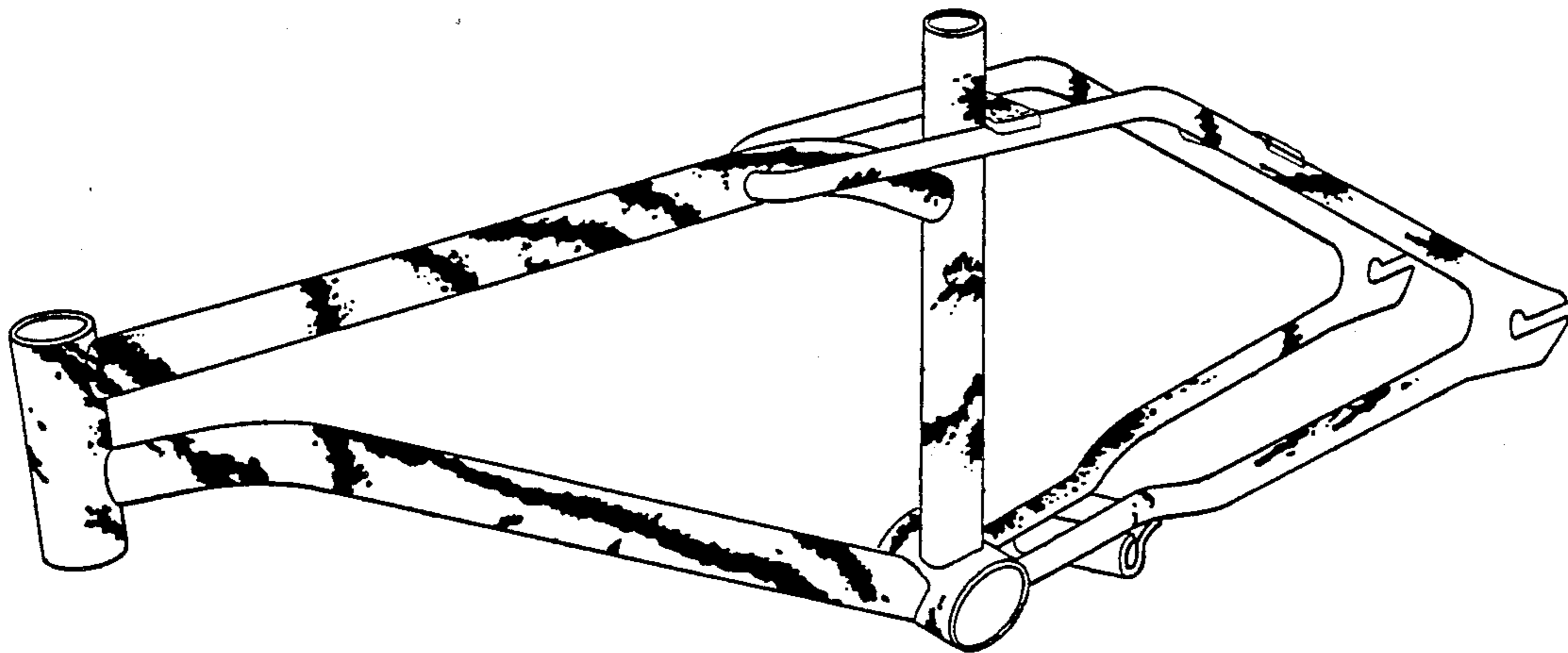
Primary Examiner—James M. Gandy  
 Assistant Examiner—Melody Brown  
 Attorney, Agent, or Firm—Biebel, French & Nauman

[57] CLAIM

The ornamental design for a bicycle frame, as shown.

DESCRIPTION

FIG. 1 is an upper left front perspective view of a bicycle frame incorporating our new design;  
 FIG. 2 is a bottom right rear perspective view thereof;  
 FIG. 3 is a top plan view thereof.



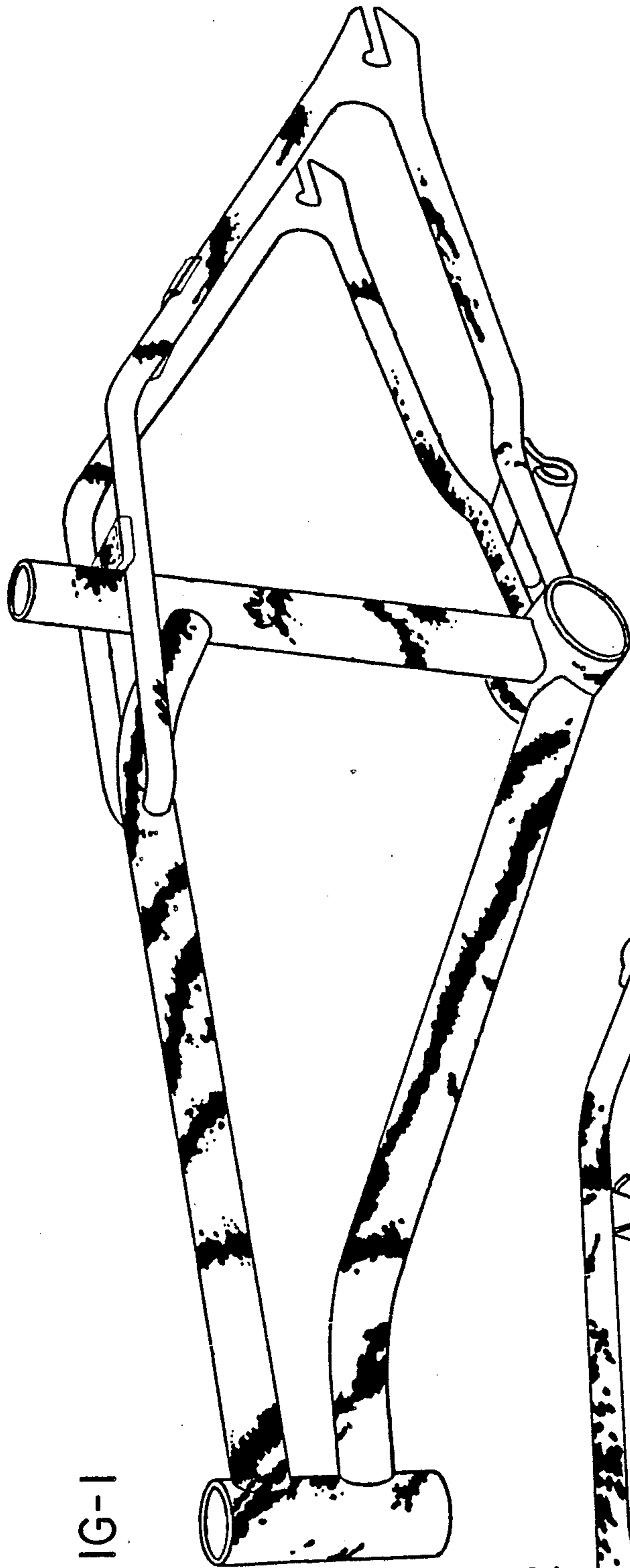


FIG-1

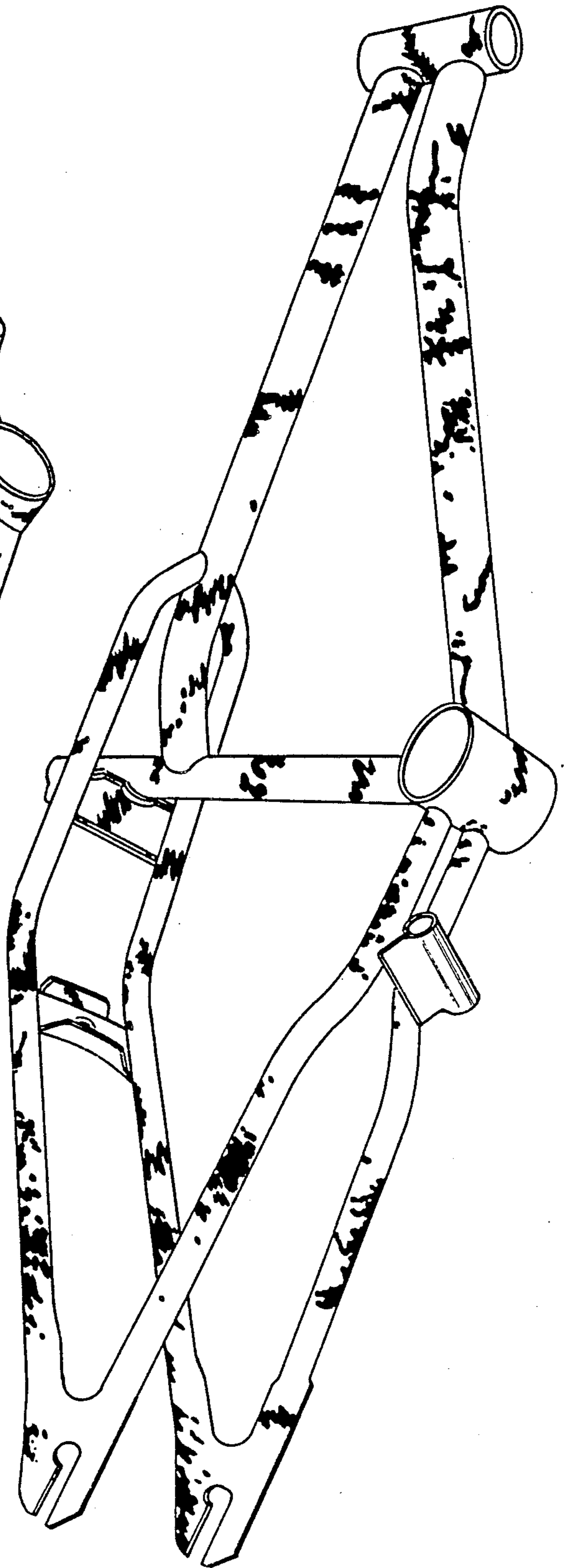


FIG-2

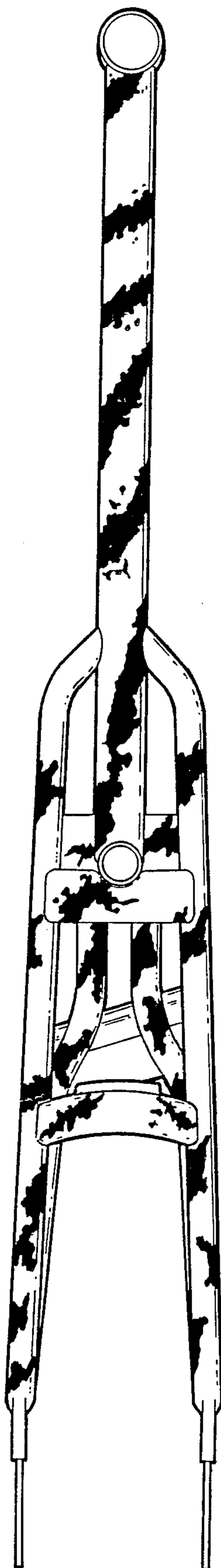


FIG-3