

[54] MOTORCYCLE

[75] Inventors: Chiharu Sasaki, Tokyo; Kazuya Kurita, Gyoda; Tomonori Mogi, Tsurugashima, all of Japan

[73] Assignee: Honda Giken Kogyo Kabushiki Kaisha, Tokyo, Japan

[\*\*] Term: 14 Years

[21] Appl. No.: 169,193

[22] Filed: Mar. 16, 1988

[30] Foreign Application Priority Data

Sep. 14, 1987 [JP] Japan ..... 62-38895

[52] U.S. Cl. .... D12/110

[58] Field of Search ..... D12/110; 180/219

[56] References Cited

U.S. PATENT DOCUMENTS

D. 299,708 2/1989 Yamuse et al. .... D12/110  
4,401,316 8/1983 Miyakoshi et al. .... D12/110

OTHER PUBLICATIONS

Cycle World, Mar. 1987, pp. 60 & 61, Kawasaki KX125, Honda CR 125R, Suzuki RM125, Yamaha YZ125, Cagiva VMX125 Motocycles.

Cycle World, Apr. 1985, p. 78, Uni-Trax Motorcycle. Cycle World, Oct. 1986, p. 11, Honda Motorcycle.

Primary Examiner—James M. Gandy  
Assistant Examiner—Melody N. Brown  
Attorney, Agent, or Firm—Armstrong, Nikaido, Marmelstein Kubovcik & Murray

[57] CLAIM

The ornamental design for a motorcycle, as shown.

DESCRIPTION

FIG. 1 is a left-front perspective view of a motorcycle showing our new design;

FIG. 2 is a left side elevational view thereof;

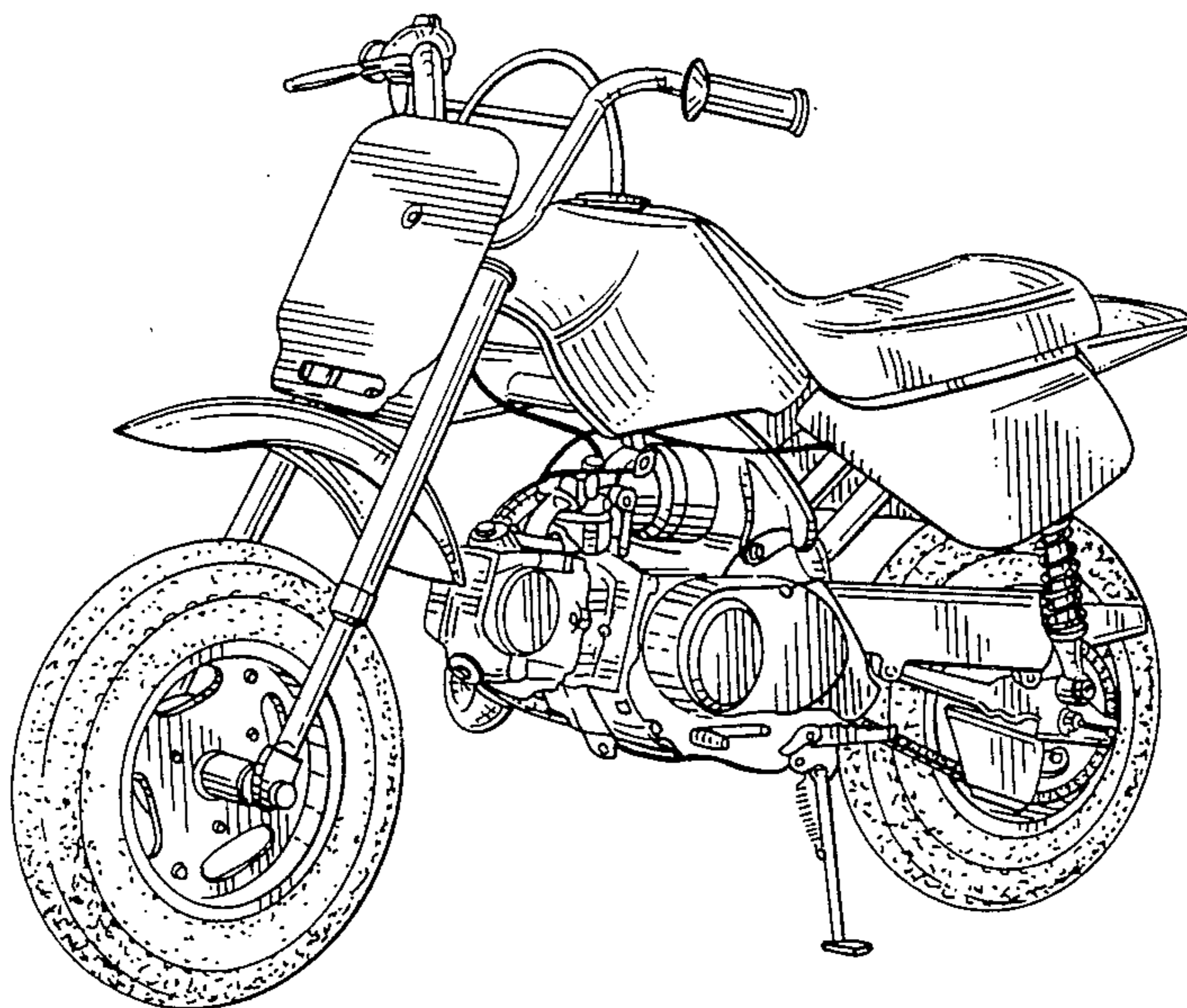
FIG. 3 is a right side elevational view thereof;

FIG. 4 is a front elevational view thereof;

FIG. 5 is a rear side elevational view thereof;

FIG. 6 is a top plan view thereof; and

FIG. 7 is a bottom plan view thereof.



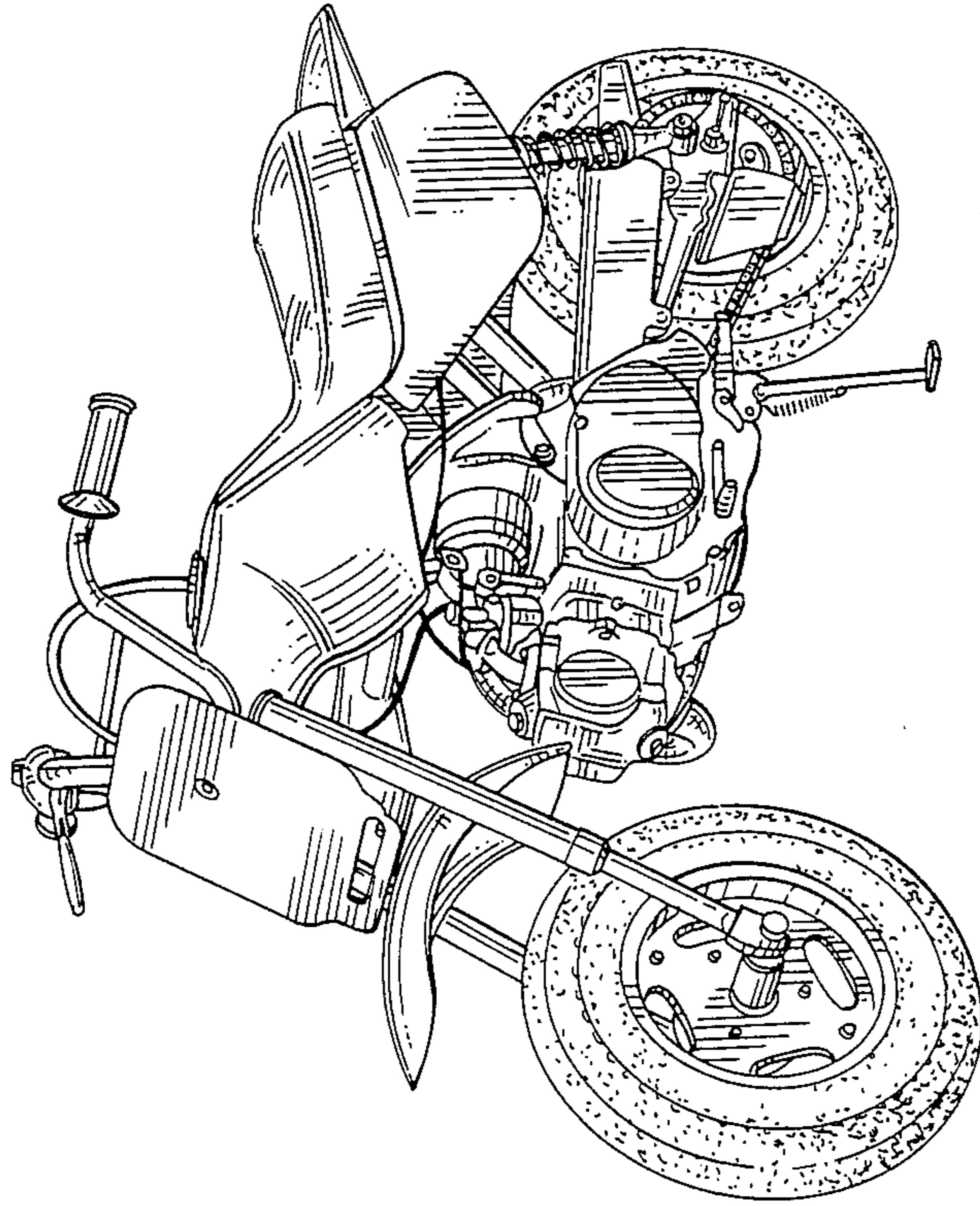


FIG. 1

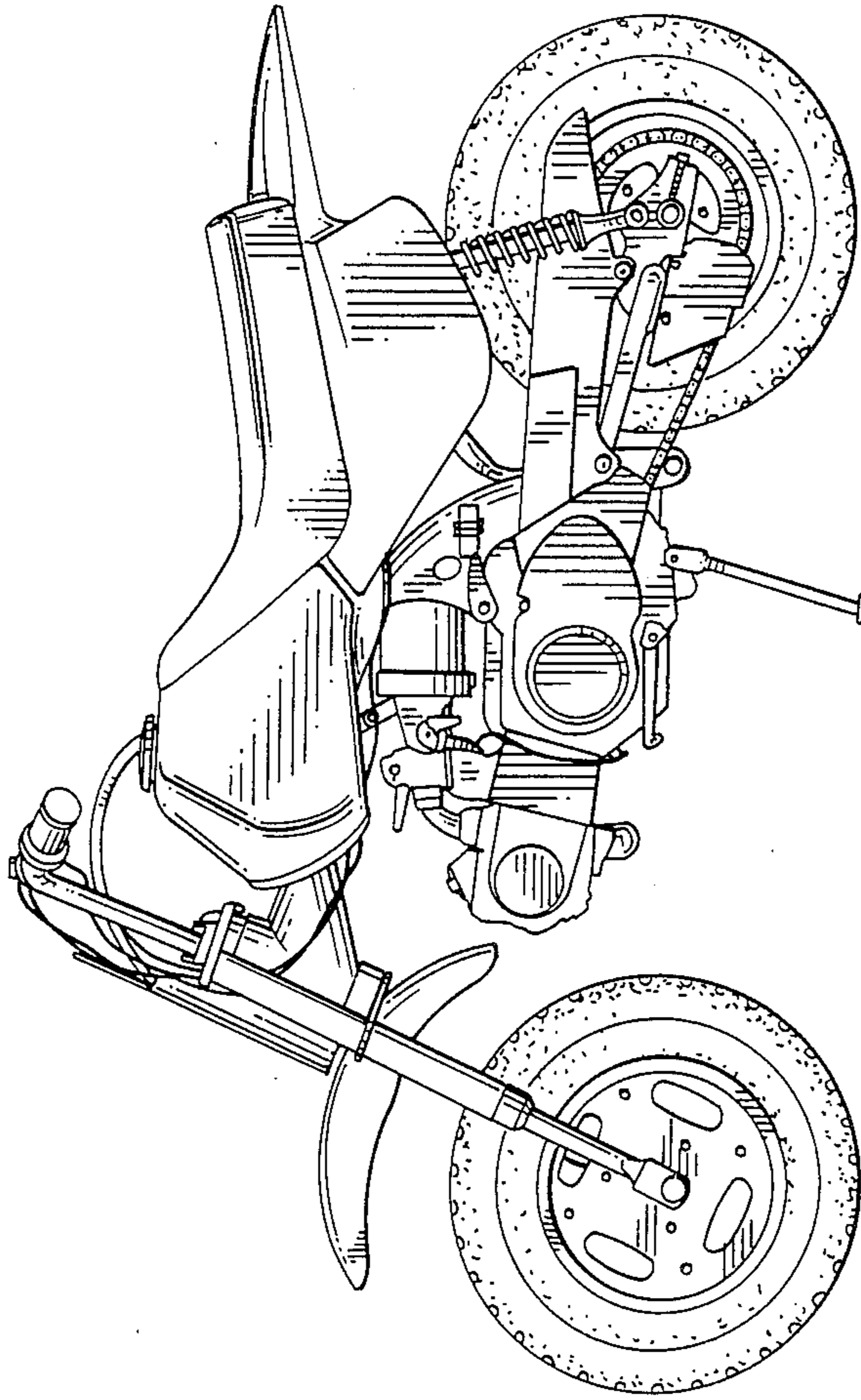


FIG. 2

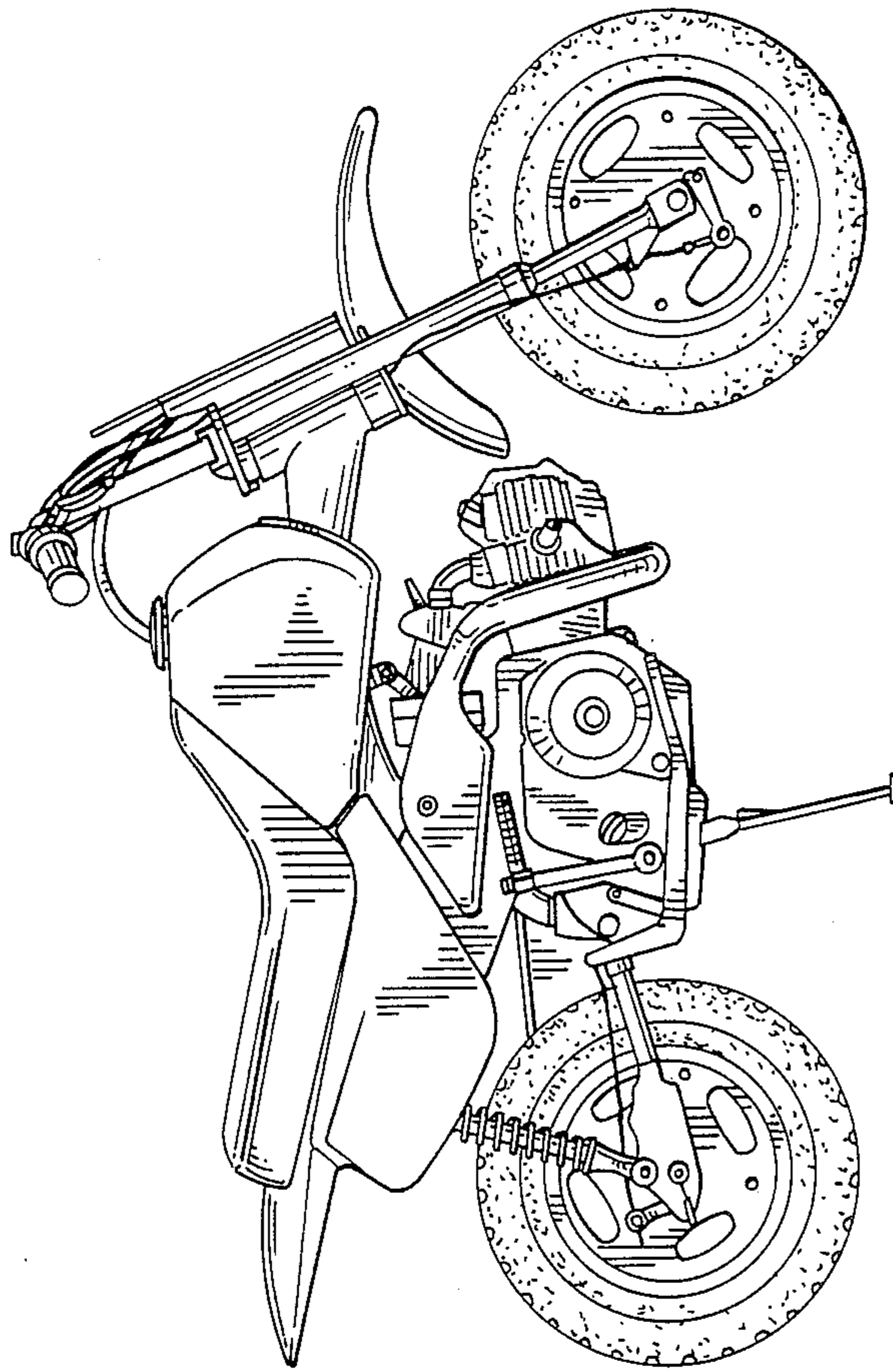
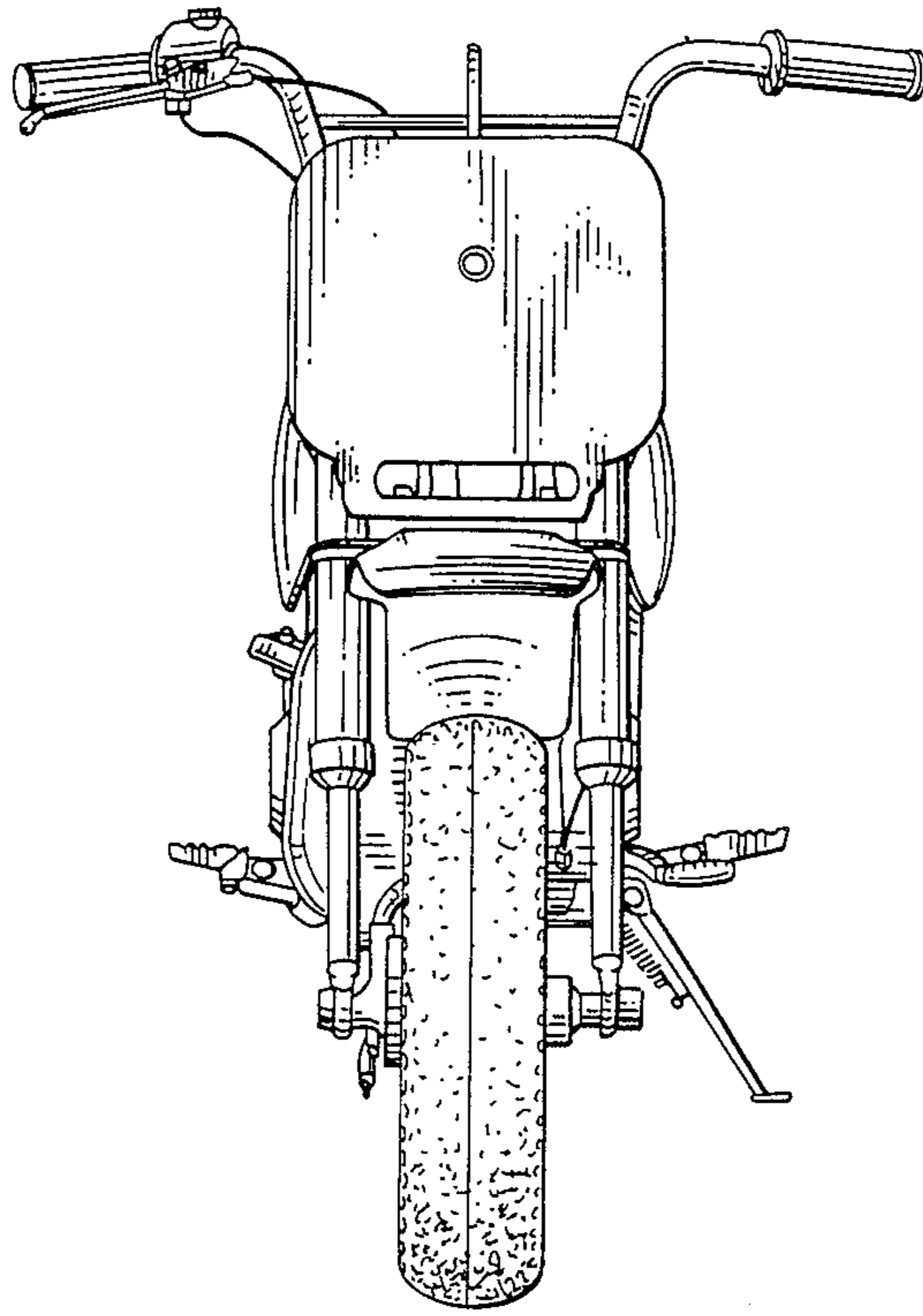
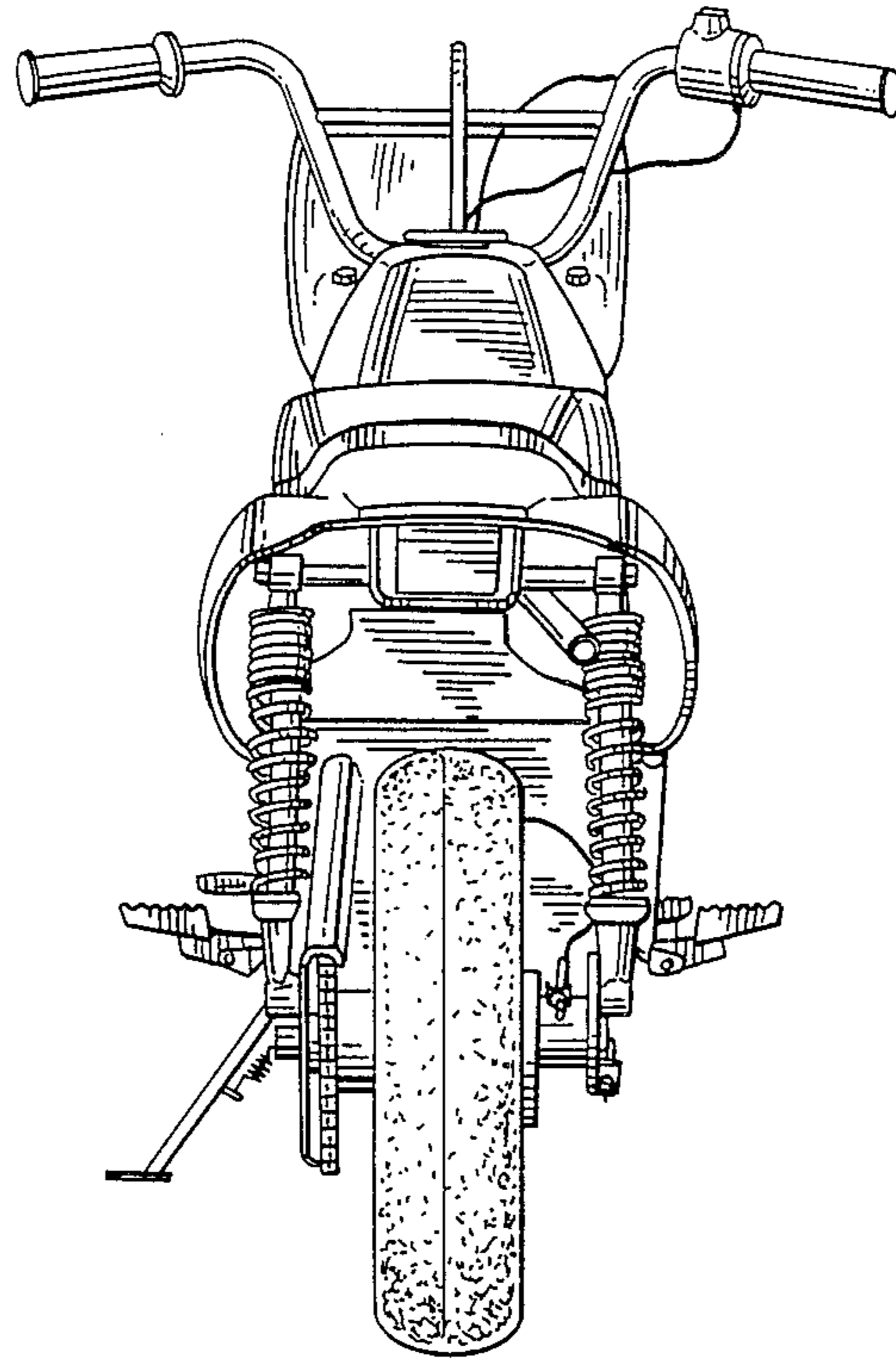


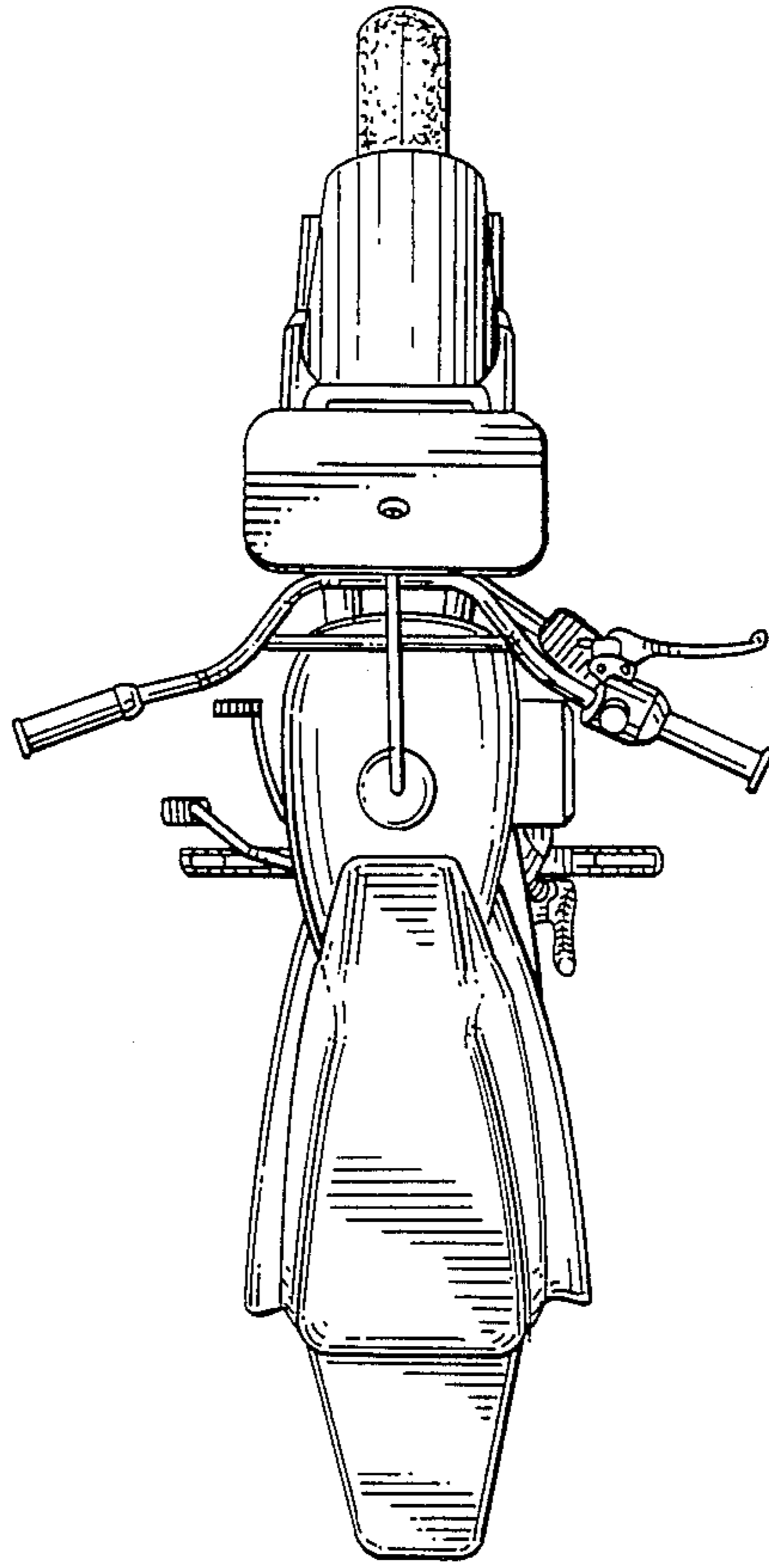
FIG. 3



*FIG. 4*



*FIG. 5*



*FIG. 6*

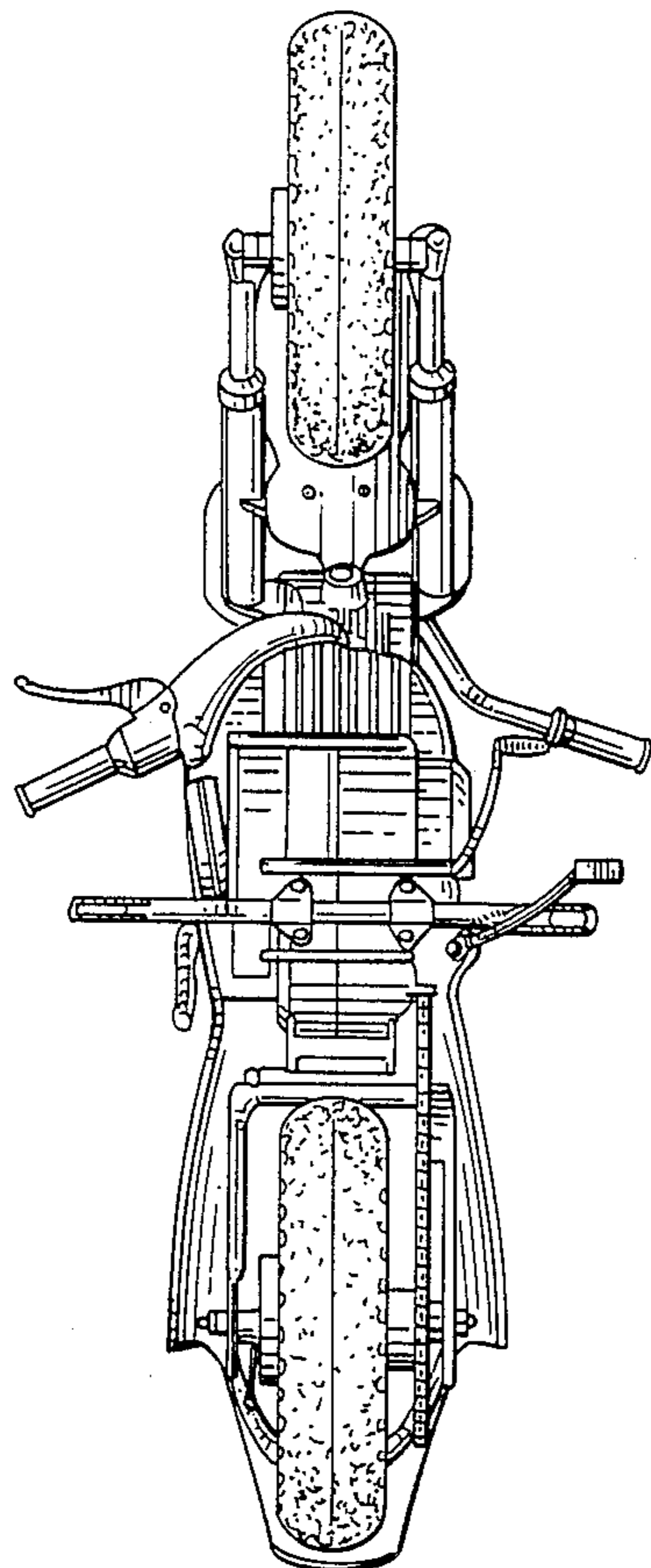


FIG. 7