

[54] **EARRING**

[75] **Inventor: Paolo Bulgari, Rome, Italy**

[73] **Assignee: Partecipazioni Bulgari S.p.A., Rome, Italy**

[**] **Term: 14 Years**

[21] **Appl. No.: 132,107**

[22] **Filed: Dec. 14, 1987**

[30] **Foreign Application Priority Data**

Jun. 22, 1987 [IT] Italy 35871/87[U]

[52] **U.S. Cl. D11/75**

[58] **Field of Search D11/1-3,
D11/40-45, 75-76, 78; 63/1.1, 2, 4, 12-14.8,
18-21, 23**

[56] **References Cited**

U.S. PATENT DOCUMENTS

D. 152,561	2/1949	Philippe	D11/45
D. 156,423	12/1949	Katz	D11/44
D. 282,829	3/1986	Bulgari	D11/40
D. 293,899	1/1988	Bulgari	D11/75

Primary Examiner—Louis S. Zarfes

Assistant Examiner—R. T. Seifert

Attorney, Agent, or Firm—Barnes, Kisselle, Raisch,
Choate, Whittemore & Hulbert

[57] **CLAIM**

The ornamental design for an earring, as shown.

DESCRIPTION

FIG. 1 is a front elevational view of an earring showing my new design;

FIG. 2 is a right side elevational view;

FIG. 3 is a rear elevational view;

FIG. 4 is a top plan view; and

FIG. 5 is a bottom plan view.

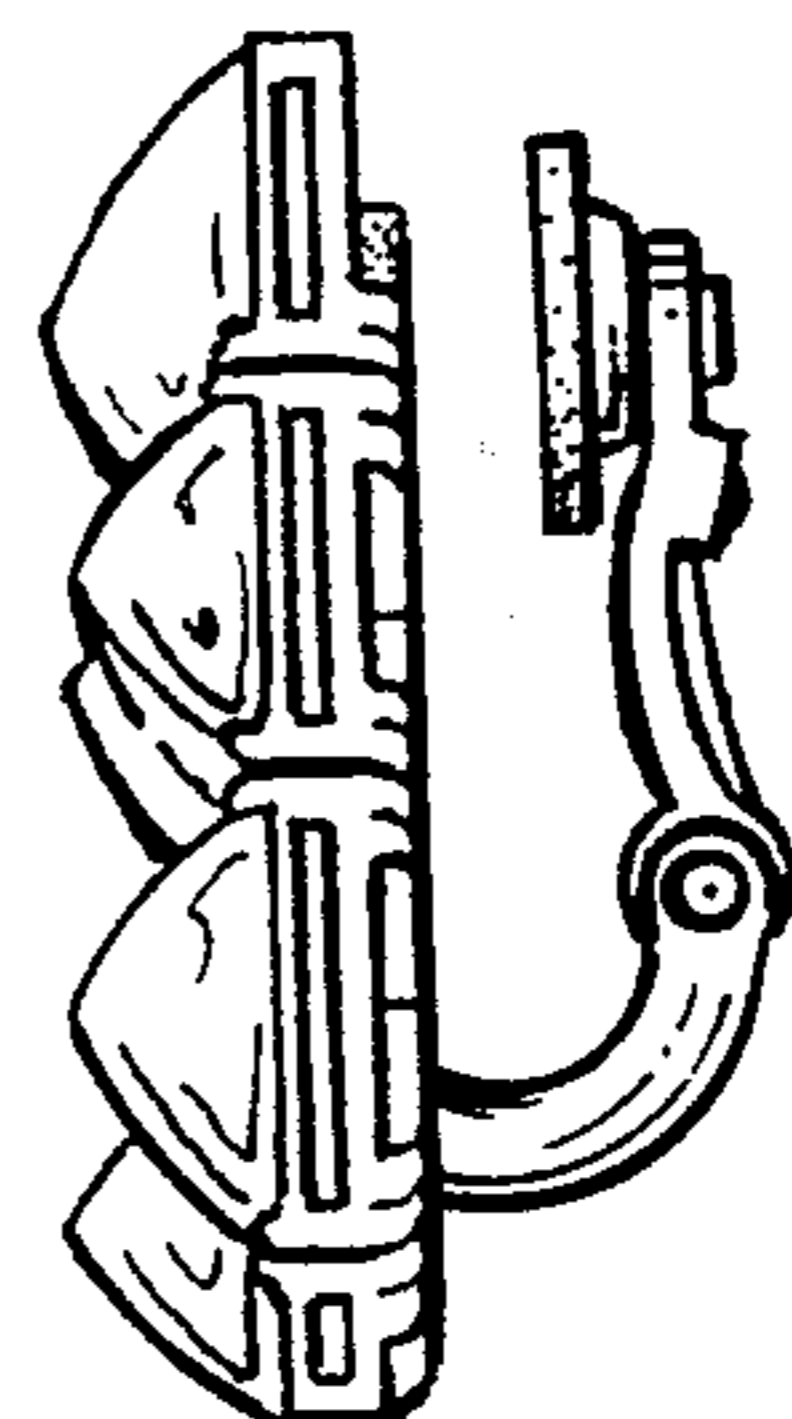
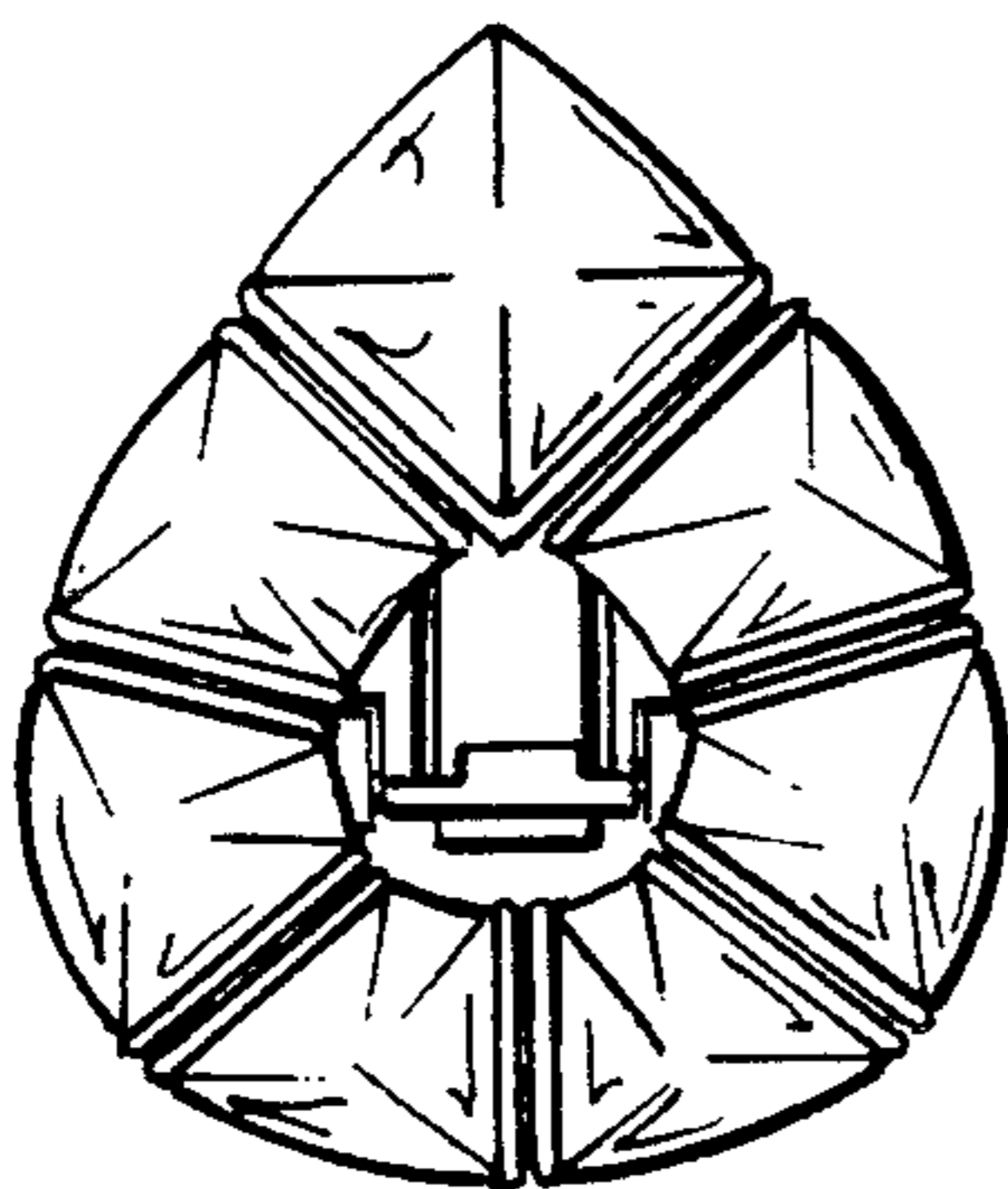


FIG.1

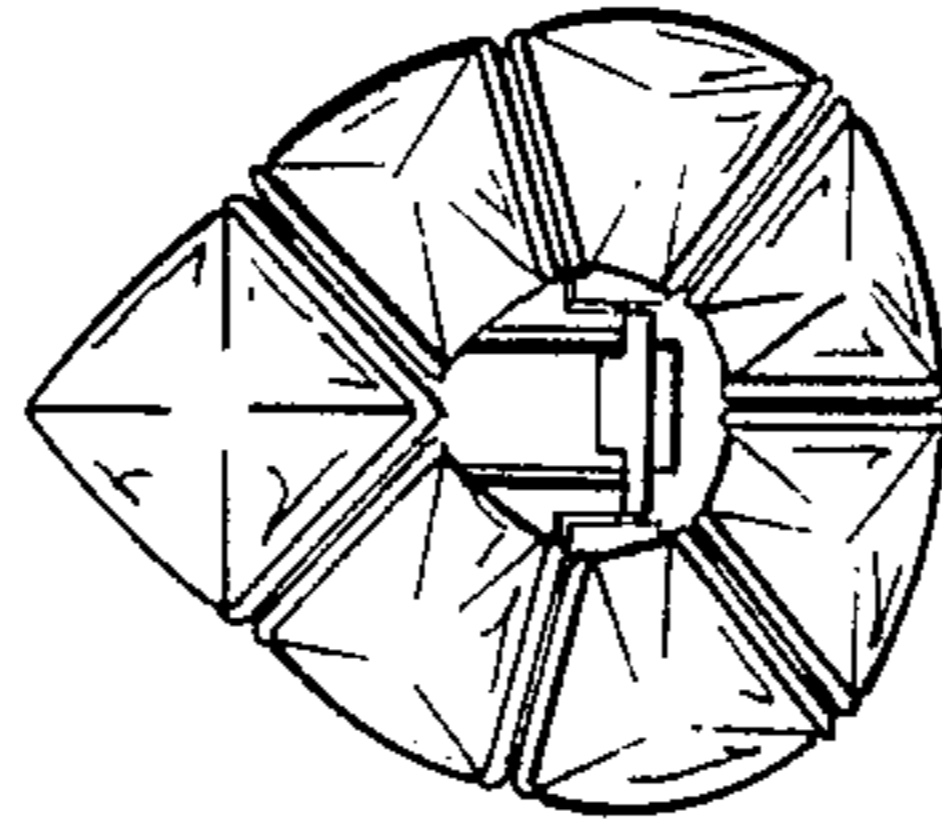


FIG.2

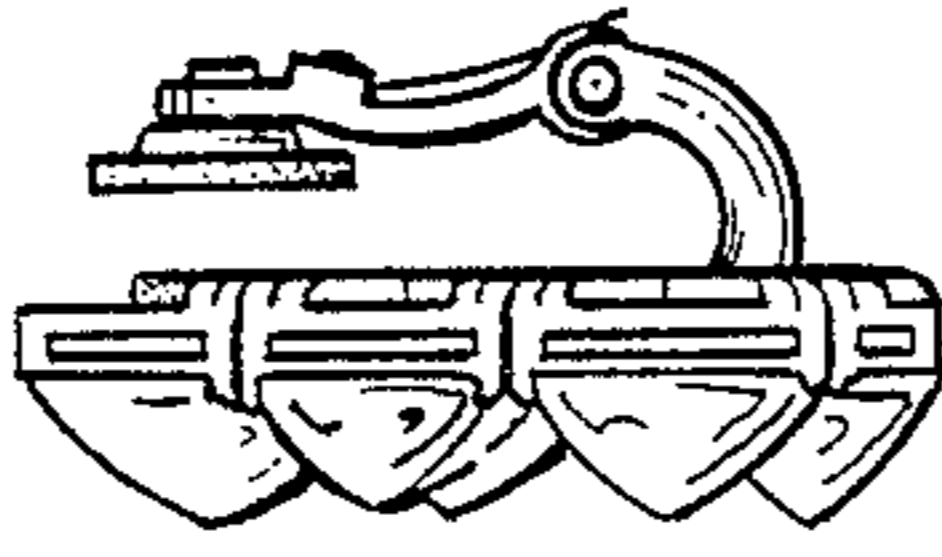


FIG.3

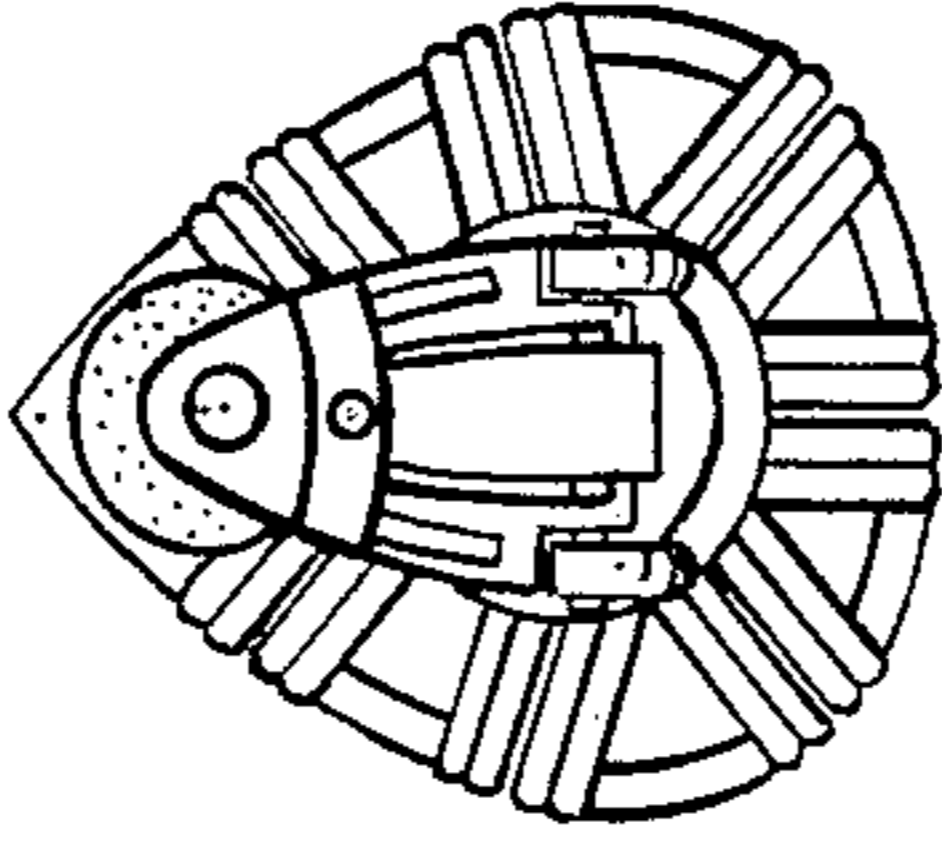


FIG.4

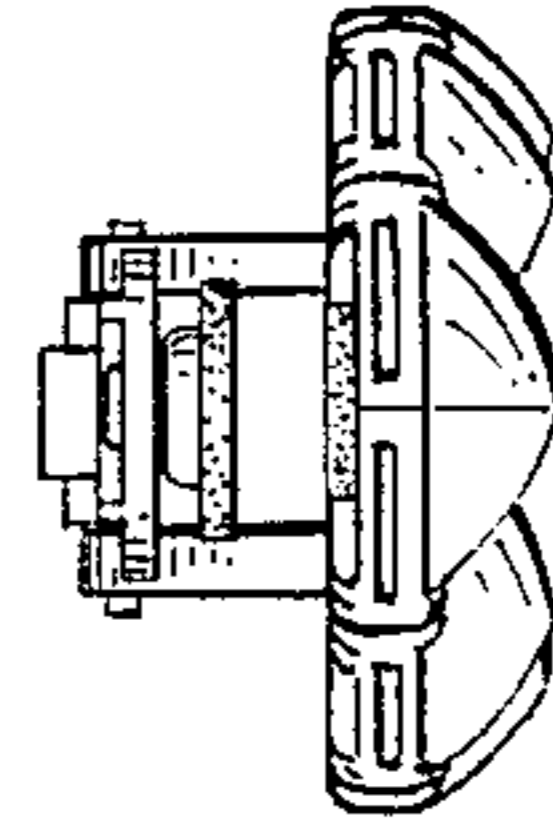


FIG.5

