

[54] **TIP-UP SIGNAL FOR FISHING**
 [76] **Inventor: Robert L. Mason, 2720 McDivitt Rd., Madison, Wis. 53713**
 [**] **Term: 14 Years**
 [21] **Appl. No.: 259,694**
 [22] **Filed: Oct. 19, 1988**
 [52] **U.S. Cl. D10/104; D22/148**
 [58] **Field of Search D10/109, 104; 40/299, 40/308, 448, 573, 545, 564, 571, 584; 43/4, 17, 16, 15.4, 4.5, 15; D22/148**

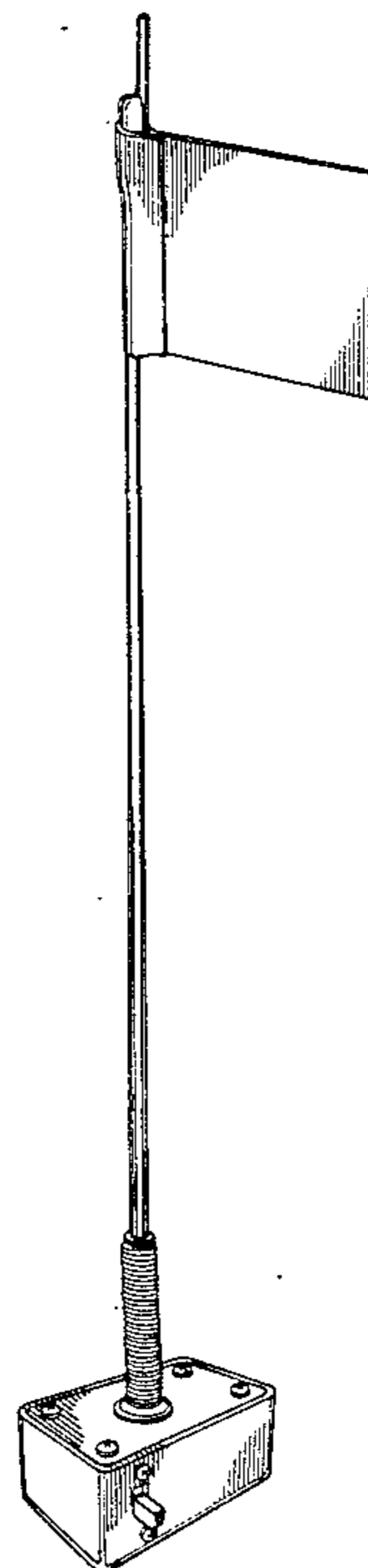
4,662,099 5/1987 Stewart 43/17
 4,718,190 1/1988 Ward et al. 43/17
 4,727,673 3/1988 Dumar .
 4,763,437 8/1988 Cuda 43/17
 4,821,446 4/1989 Beaulieu, Jr. 43/17
 4,823,494 4/1989 Waterman 43/17

Primary Examiner—Wallace R. Burke
Assistant Examiner—Marcus Jackson
Attorney, Agent, or Firm—Lathrop & Clark

[56] **References Cited**
U.S. PATENT DOCUMENTS
 3,134,187 5/1964 Blakely D22/148
 4,270,297 6/1981 Yates .
 4,285,154 8/1981 Grahl .
 4,373,287 2/1983 Grahl 43/17
 4,399,630 8/1983 Lawes .
 4,479,321 10/1984 Welstead .
 4,520,586 6/1985 Moisan .
 4,651,460 3/1987 Sykes 43/17

[57] **CLAIM**
 The ornamental design for a tip-up signal for fishing, as shown and described.

DESCRIPTION
 FIG. 1 is a top, front and left side perspective view of a tip-up signal for fishing showing my new design;
 FIG. 2 is a left side elevational view thereof, the right side elevational view being the identical mirror image thereof;
 FIG. 3 is a rear elevational view thereof;
 FIG. 4 is a top plan view thereof; and
 FIG. 5 is a bottom plan view thereof.



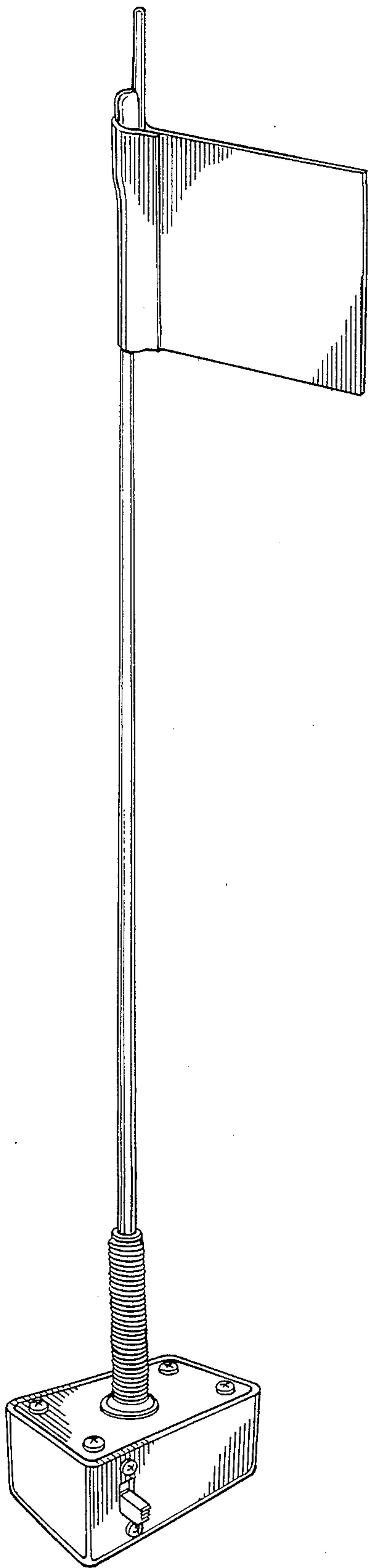


FIG. 1

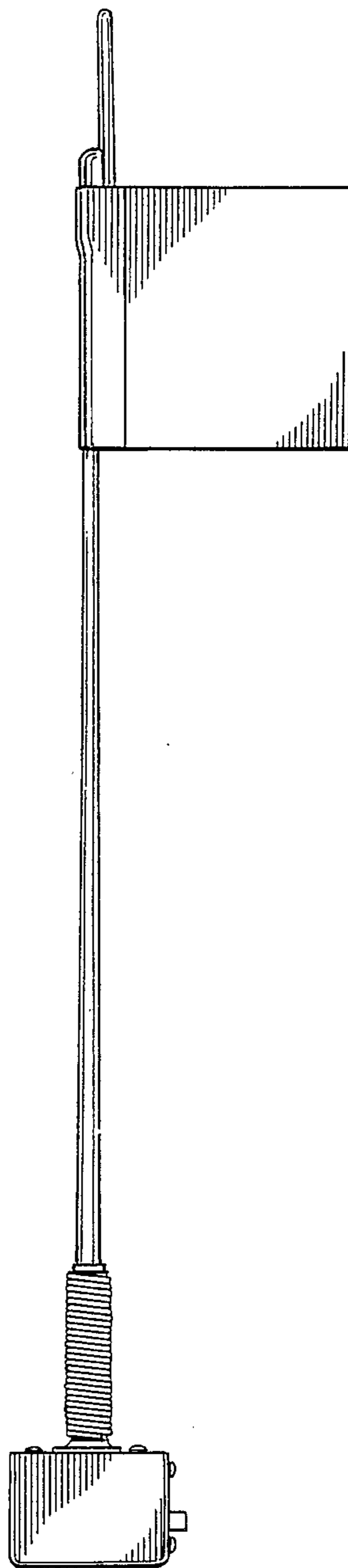


FIG. 2

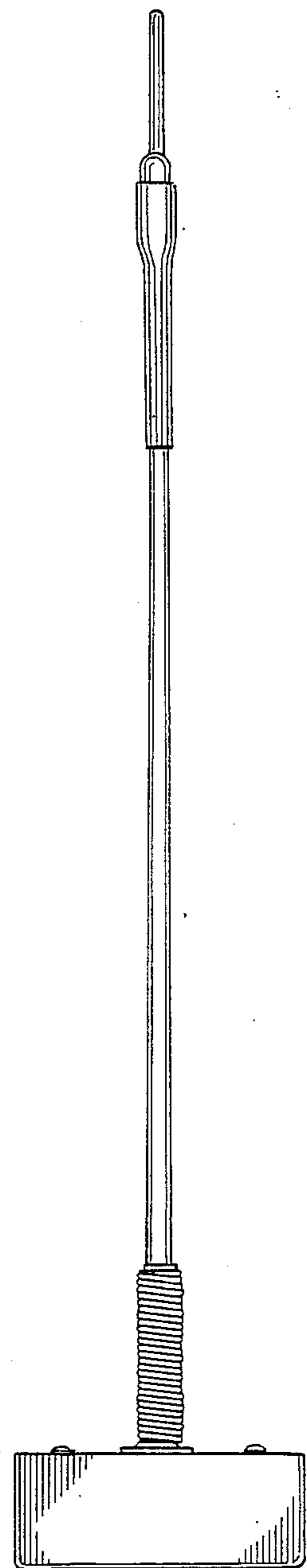


FIG. 3

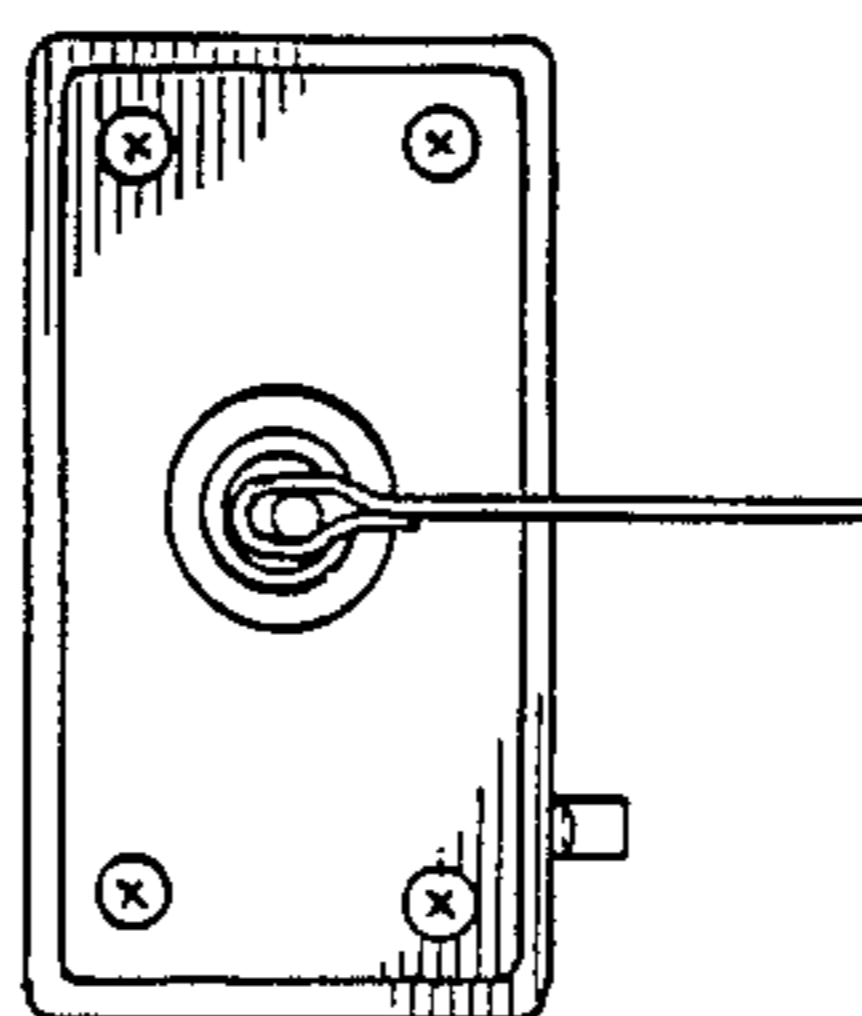


FIG. 4

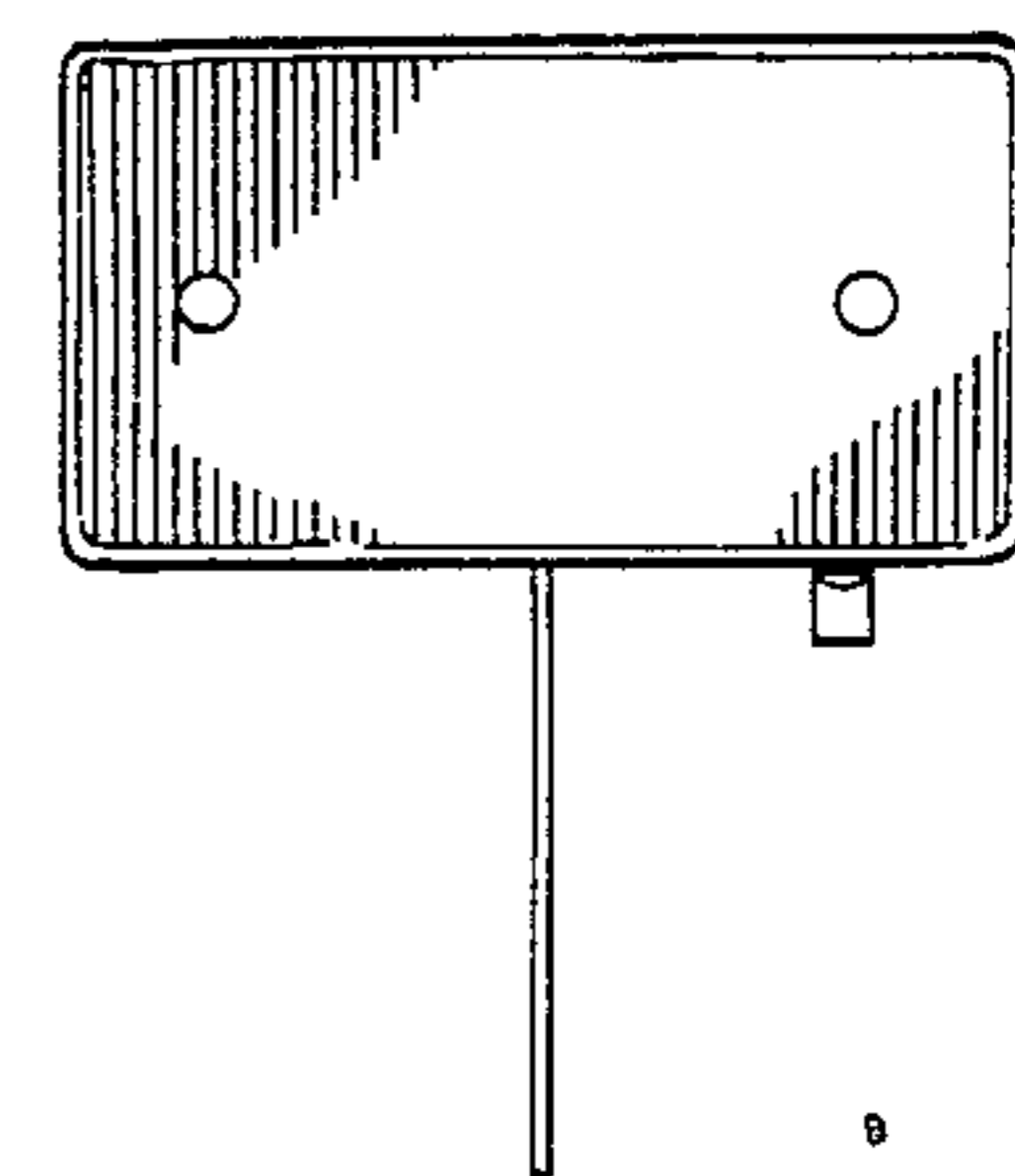


FIG. 5