

[54] **BALANCING MACHINE FOR VEHICLE WHEELS**

[76] **Inventor: Stanislaus J. B. Golüke, Pr.**
Beatrixstraat 66a, 4024 HN Eck en
Wiel, Netherlands

[**] **Term: 14 Years**

[21] **Appl. No.: 98,123**

[22] **Filed: Sep. 18, 1987**

[30] **Foreign Application Priority Data**

Mar. 20, 1987 [IB] Int'l Pat. Institute 61964-00

[52] **U.S. Cl. D10/82**

[58] **Field of Search D10/46, 82, 86; 73/66,**
73/462, 425, 469, 470, 471, 472, 473, 474, 475,
476, 477, 478, 479; 301/5 B, 5 BA, 5 R

[56] **References Cited**

U.S. PATENT DOCUMENTS

- D. 209,854 1/1968 Kincaid D10/82
- D. 255,015 5/1980 Hohara D10/82
- D. 287,945 1/1987 Park D10/82
- 2,754,684 7/1956 Peterson D10/82 X
- 3,623,208 11/1971 Hofmann 301/513 X

- 4,193,305 3/1980 Hunter 73/462
- 4,341,119 7/1982 Jackson et al. 73/462
- 4,352,291 10/1982 Curchod et al. 73/477 X
- 4,445,372 5/1984 Buzzi 73/473 X
- 4,489,607 12/1984 Park 73/462

OTHER PUBLICATIONS

Nortroa, Model 7200 Digital Wheel Balancer, Digital Wheel Balancer, 7100 Computer Wheel Balancer, 9/1/75, various cover pages.

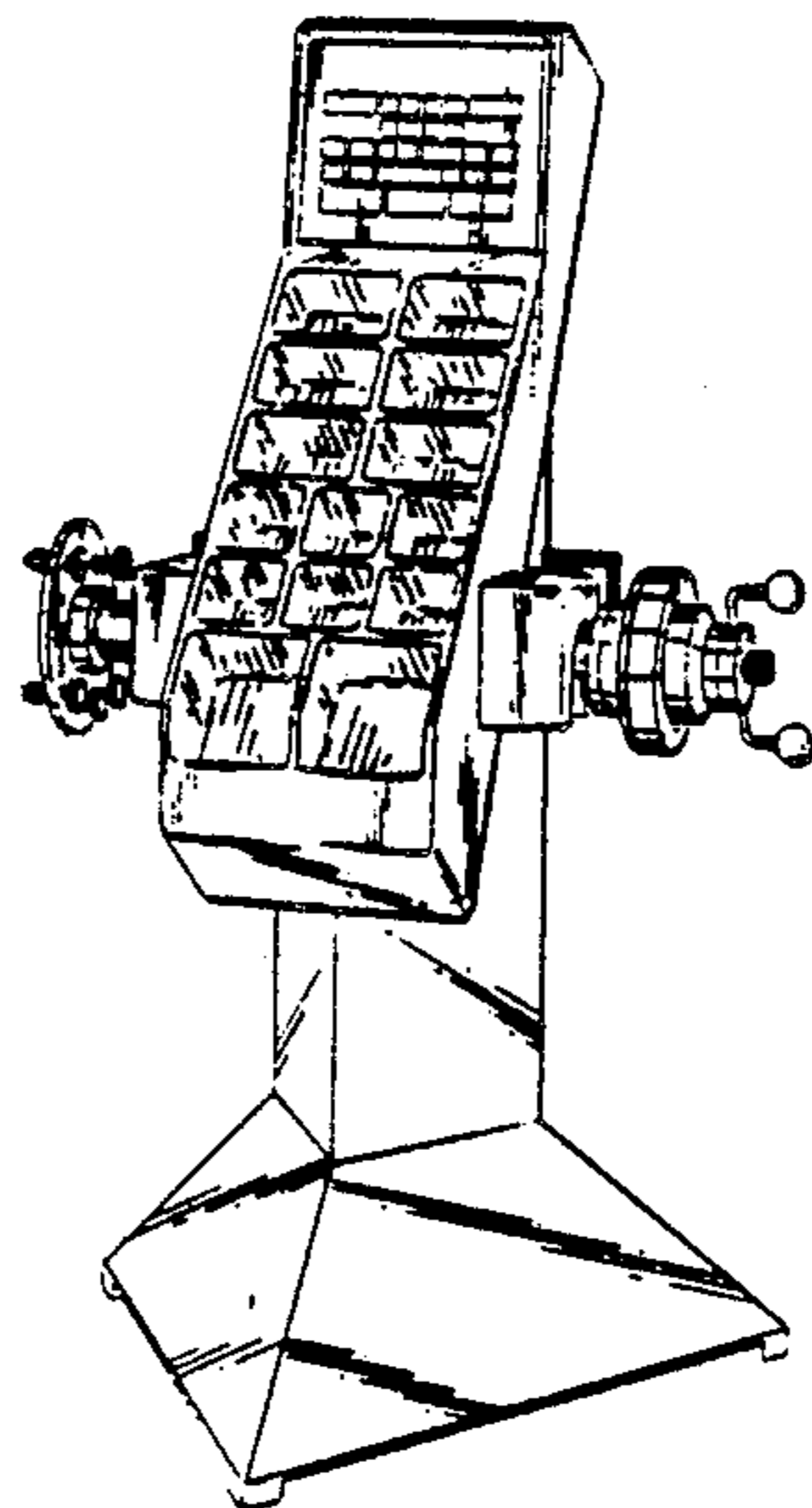
Primary Examiner—Nelson C. Holtje
Assistant Examiner—Antoine D. Davis

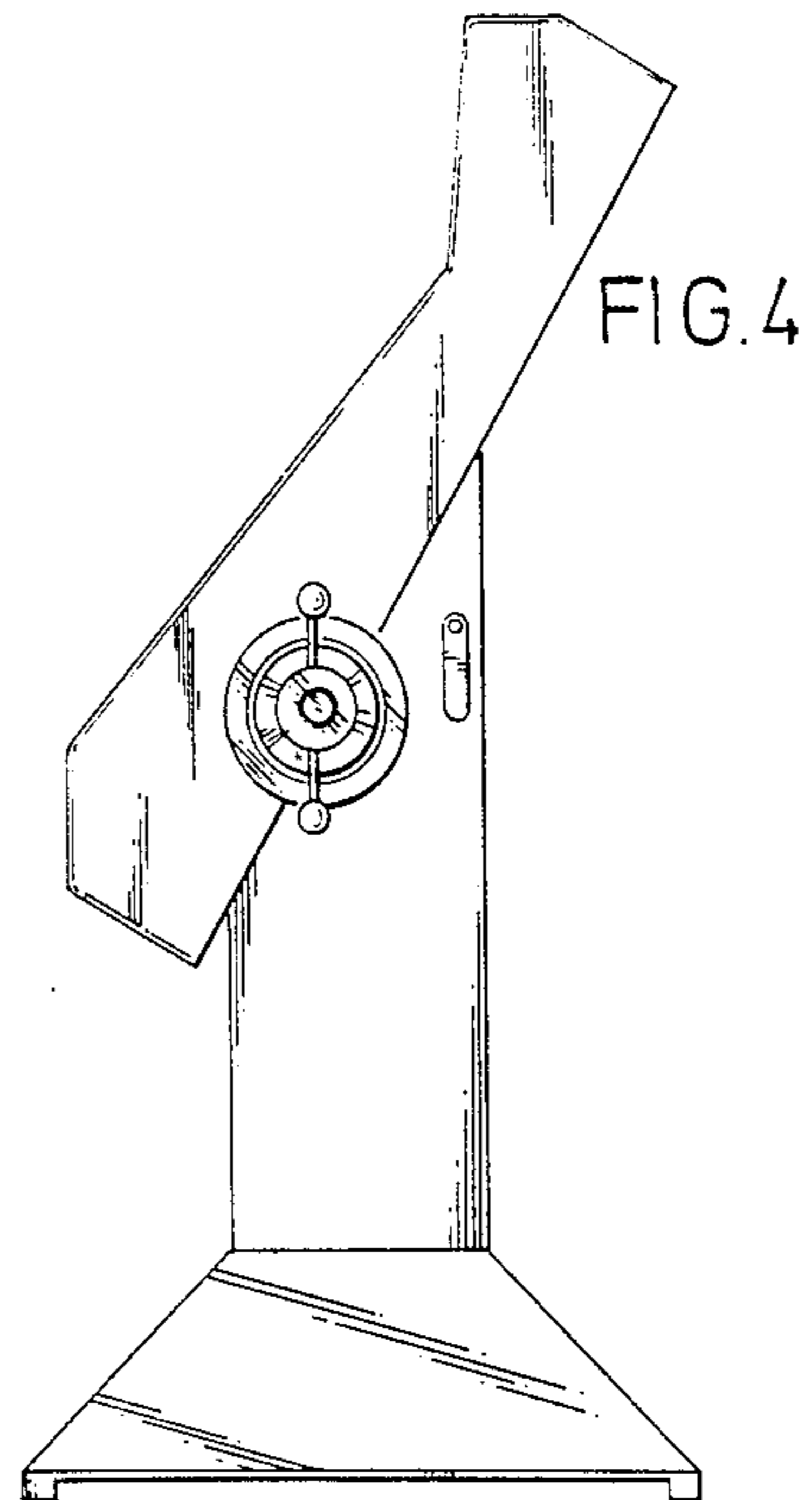
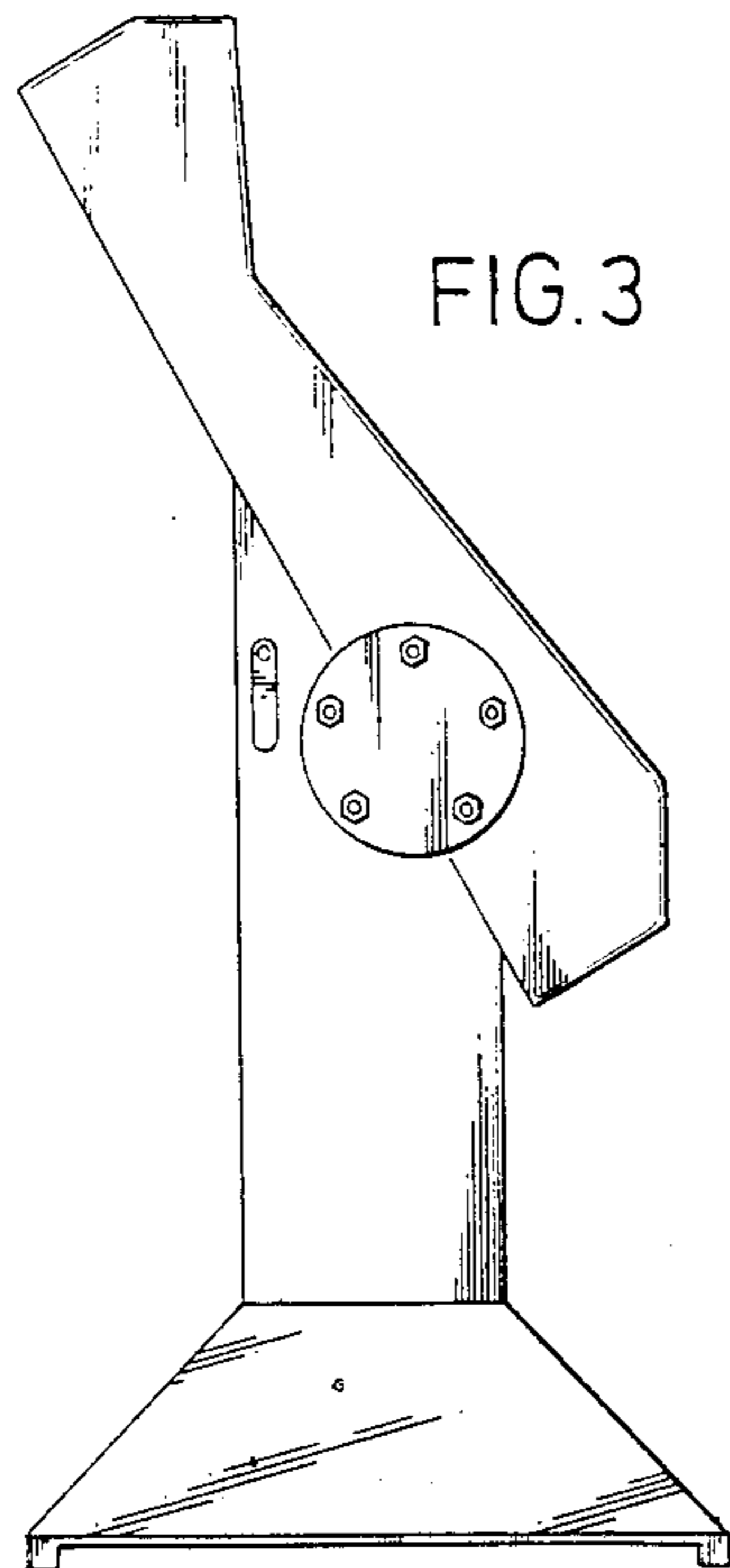
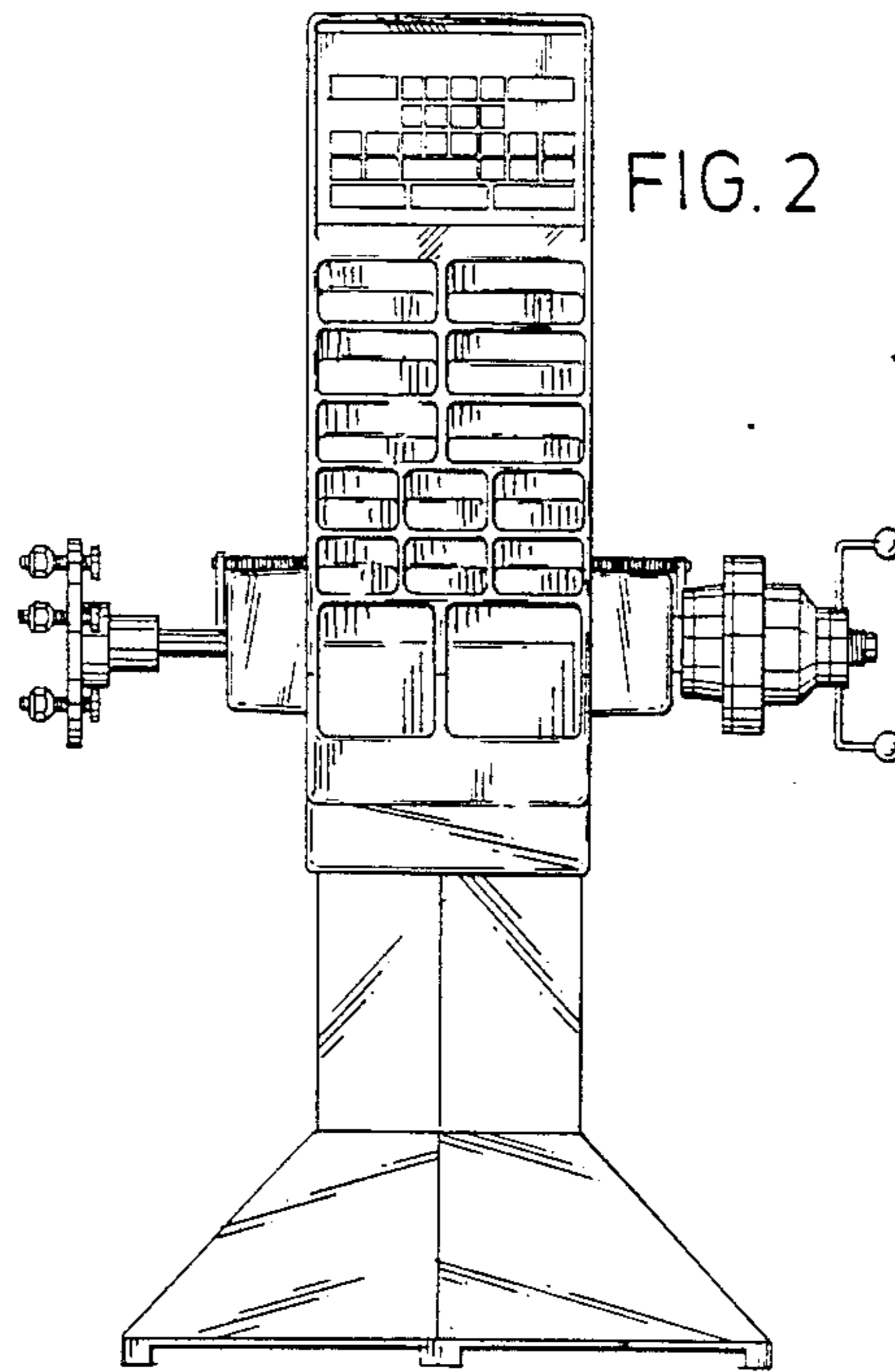
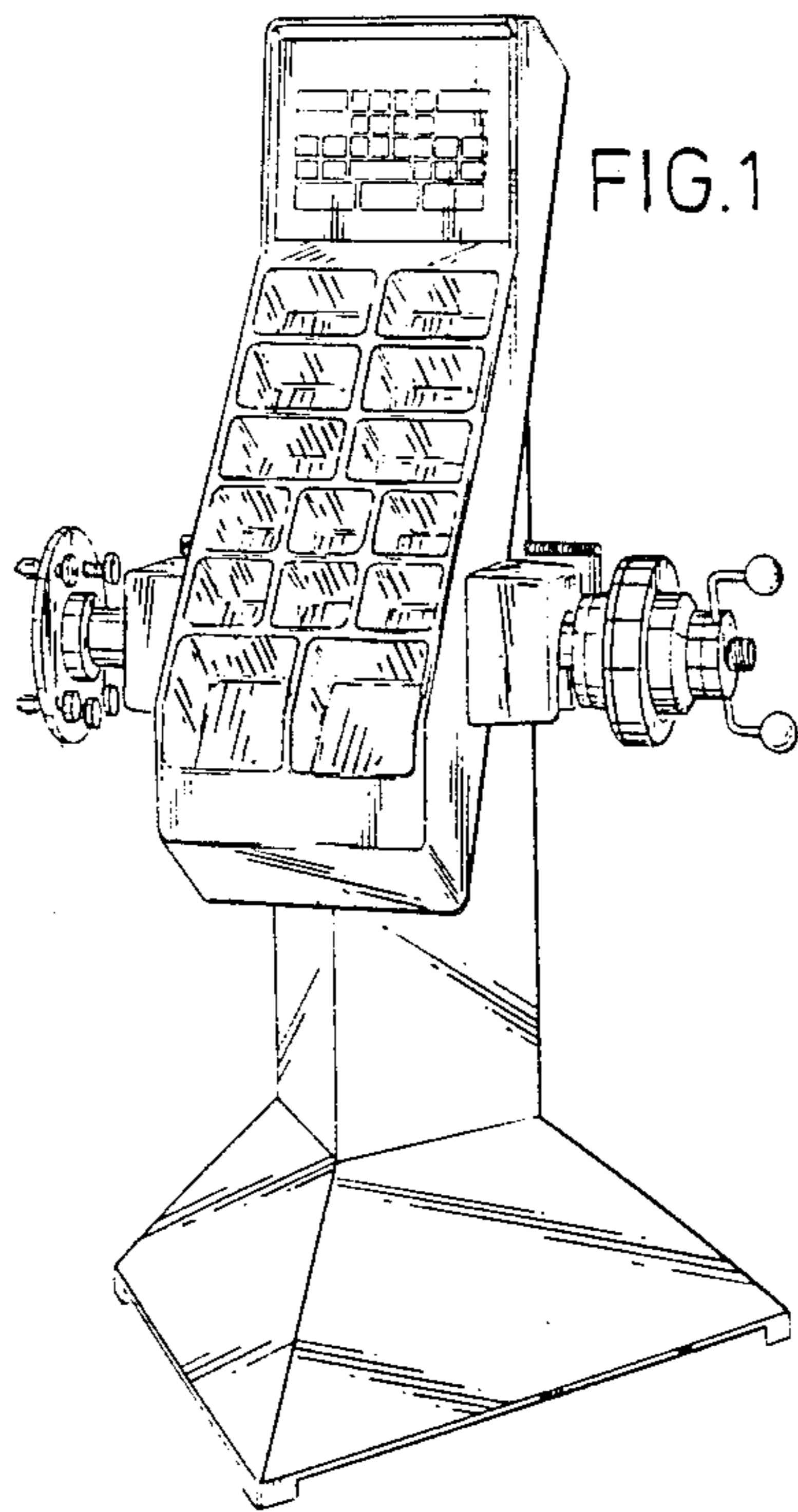
[57] **CLAIM**

The ornamental design for a balancing machine for vehicle wheels, as shown.

DESCRIPTION

FIG. 1 is a top, front, and right side perspective view of a wheel balancing machine for vehicle wheels showing my new design;
FIG. 2 is a front elevational view;
FIG. 3 is a left side elevational view;
FIG. 4 is a right side elevational view; and
FIG. 5 is a top plan view thereof.





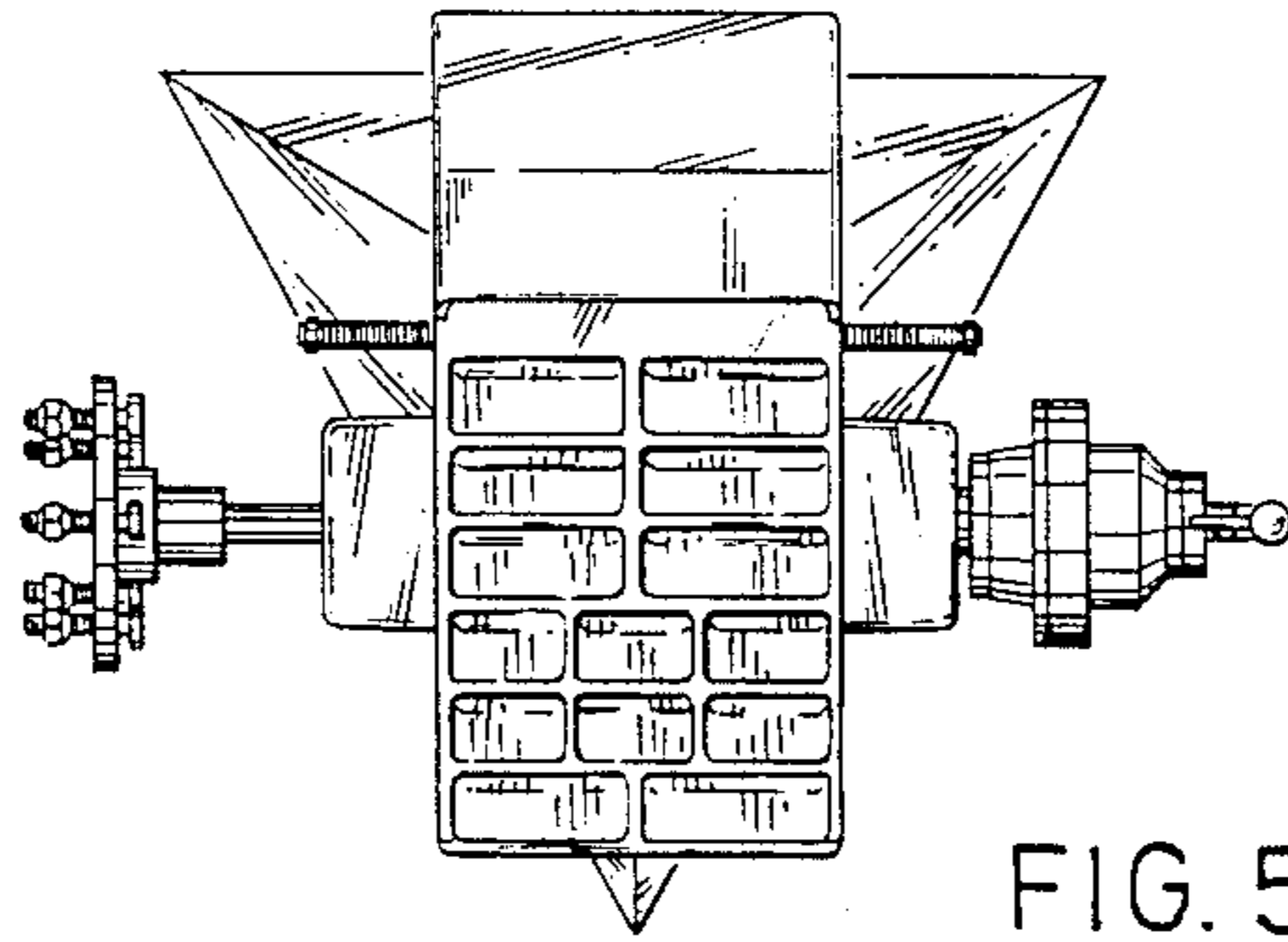


FIG. 5