

[54] CABLE CONFIGURATION ANALYZER AND TESTER

[76] Inventor: Thomas E. Vincent, Sr., 5232 Skiles St., Kansas City, Mo. 64129

[**] Term: 14 Years

[21] Appl. No.: 939,767

[22] Filed: Dec. 8, 1986

[52] U.S. Cl. D10/75

[58] Field of Search D10/46, 75, 78; 324/66, 324/308, 540, 500, 508, 512, 522, 537, 539, 555

[56] References Cited

U.S. PATENT DOCUMENTS

- D. 207,261 3/1967 Netland D10/75
- D. 237,596 11/1975 Jack D10/75
- D. 239,934 5/1976 Jack D10/75 X
- D. 239,935 5/1976 Jack D10/75 X
- D. 261,870 11/1981 Litt D10/75
- D. 275,659 9/1984 Hackamack D10/75
- 934,874 9/1909 Anderson 324/522

- 2,962,659 11/1960 Neill 324/66
- 3,252,087 5/1966 Parke 324/66
- 3,428,888 2/1969 Nolte 324/51
- 3,867,692 2/1975 Esch 324/66
- 4,160,947 7/1979 Tanno 324/51
- 4,257,002 3/1981 Helms 324/66
- 4,326,162 4/1982 Hankey 324/51
- 4,620,282 10/1986 Shelley 324/489

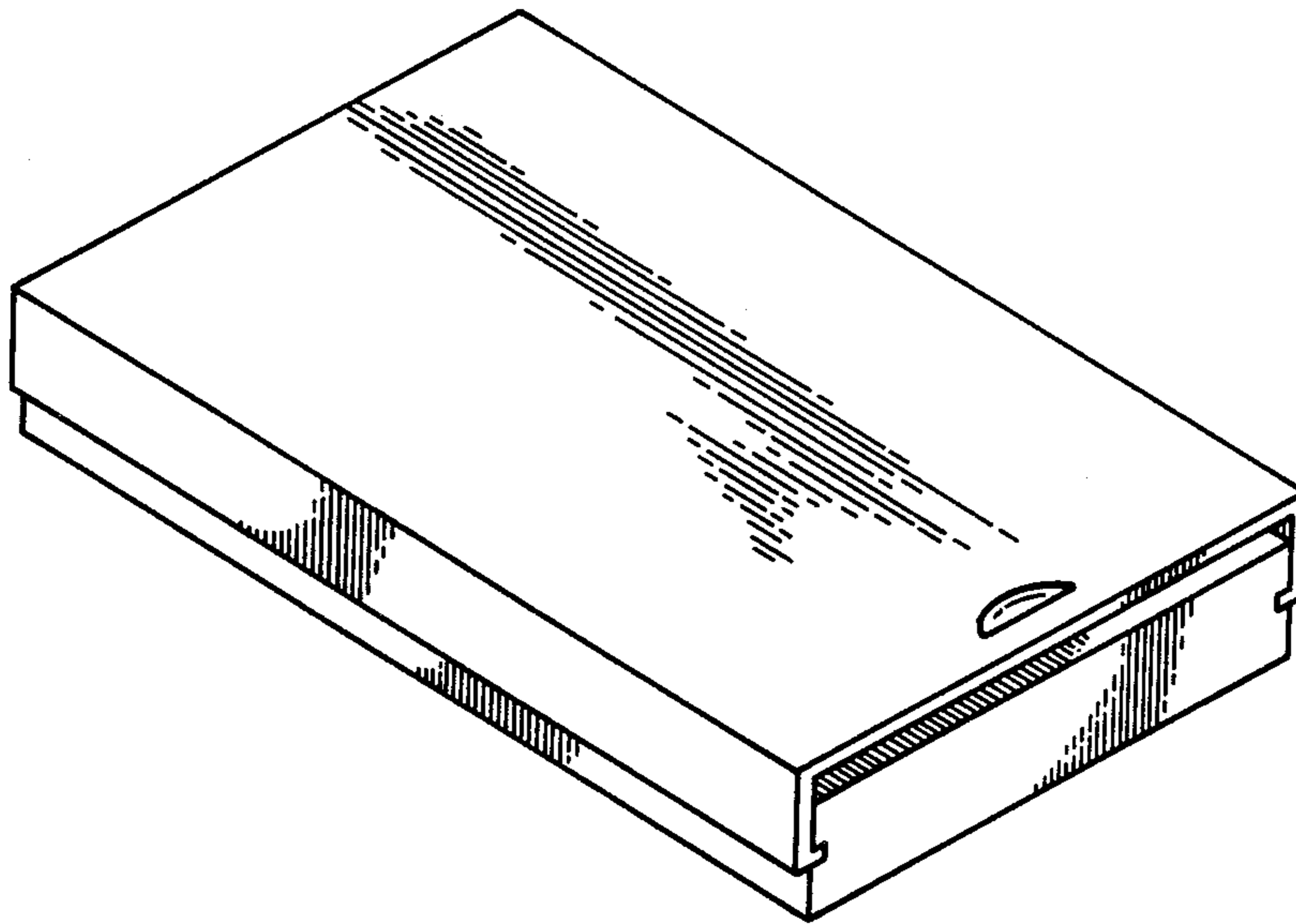
Primary Examiner—Nelson C. Holtje
Assistant Examiner—Antoine D. Davis
Attorney, Agent, or Firm—W. C. Tupman

[57] CLAIM

The ornamental design for a cable configuration analyzer and tester, as shown and described.

DESCRIPTION

FIG. 1 is a top, front, and left side perspective view of a cable configuration analyzer and tester showing my new design;
FIG. 2 is a top, rear, and right side perspective view with the top cover removed; and
FIG. 3 is a bottom plan view thereof.



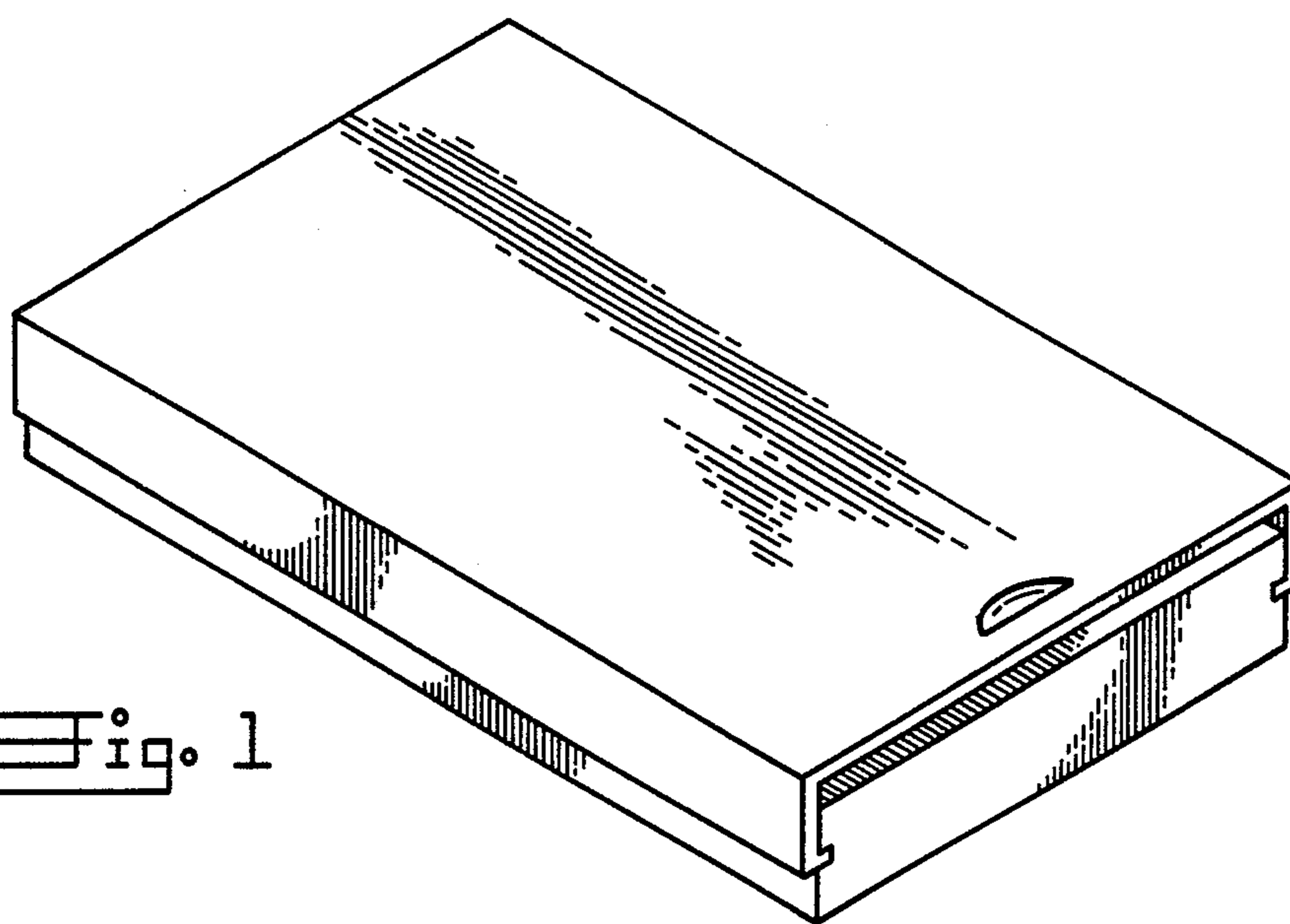


Fig. 1

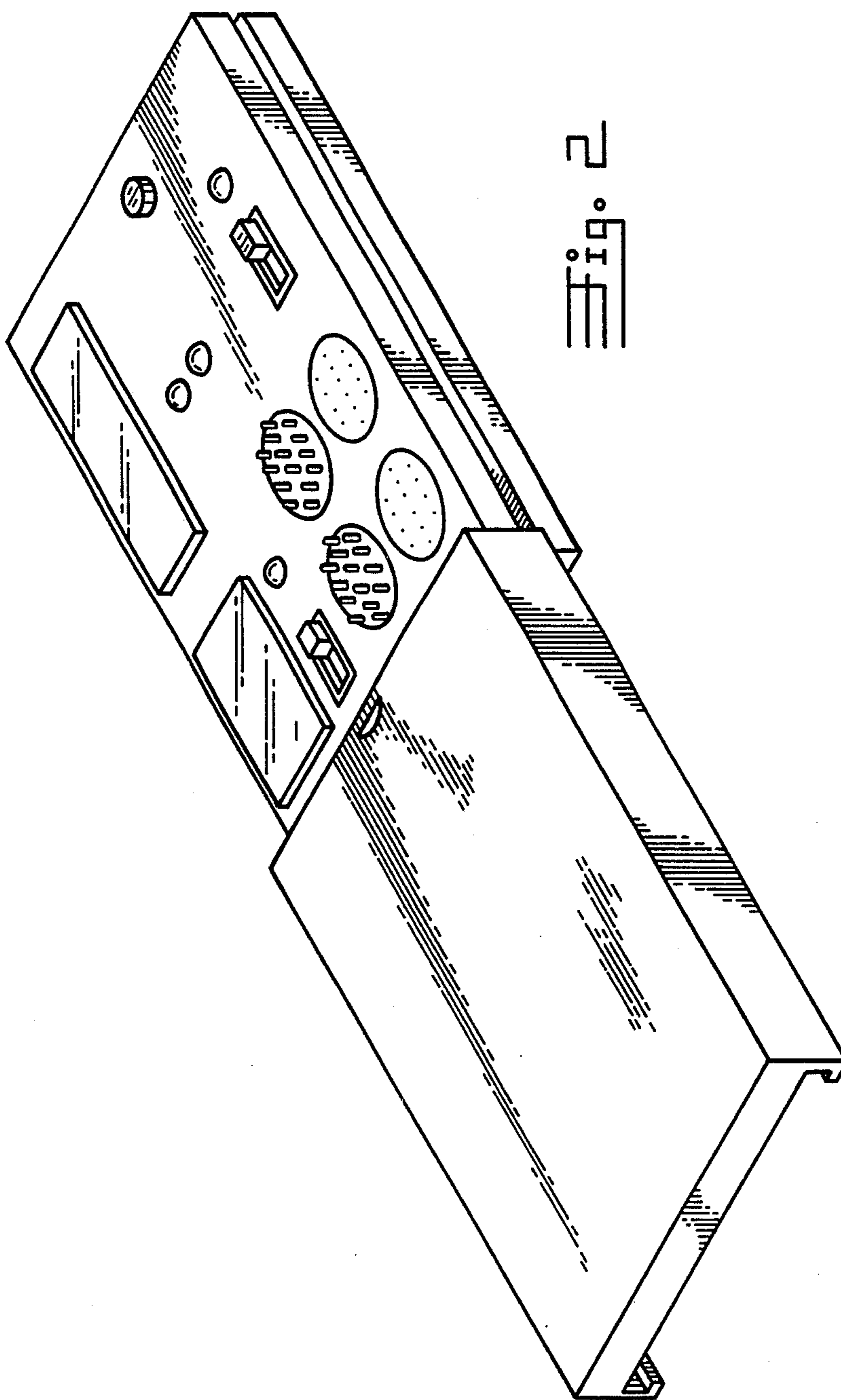


Fig. 2

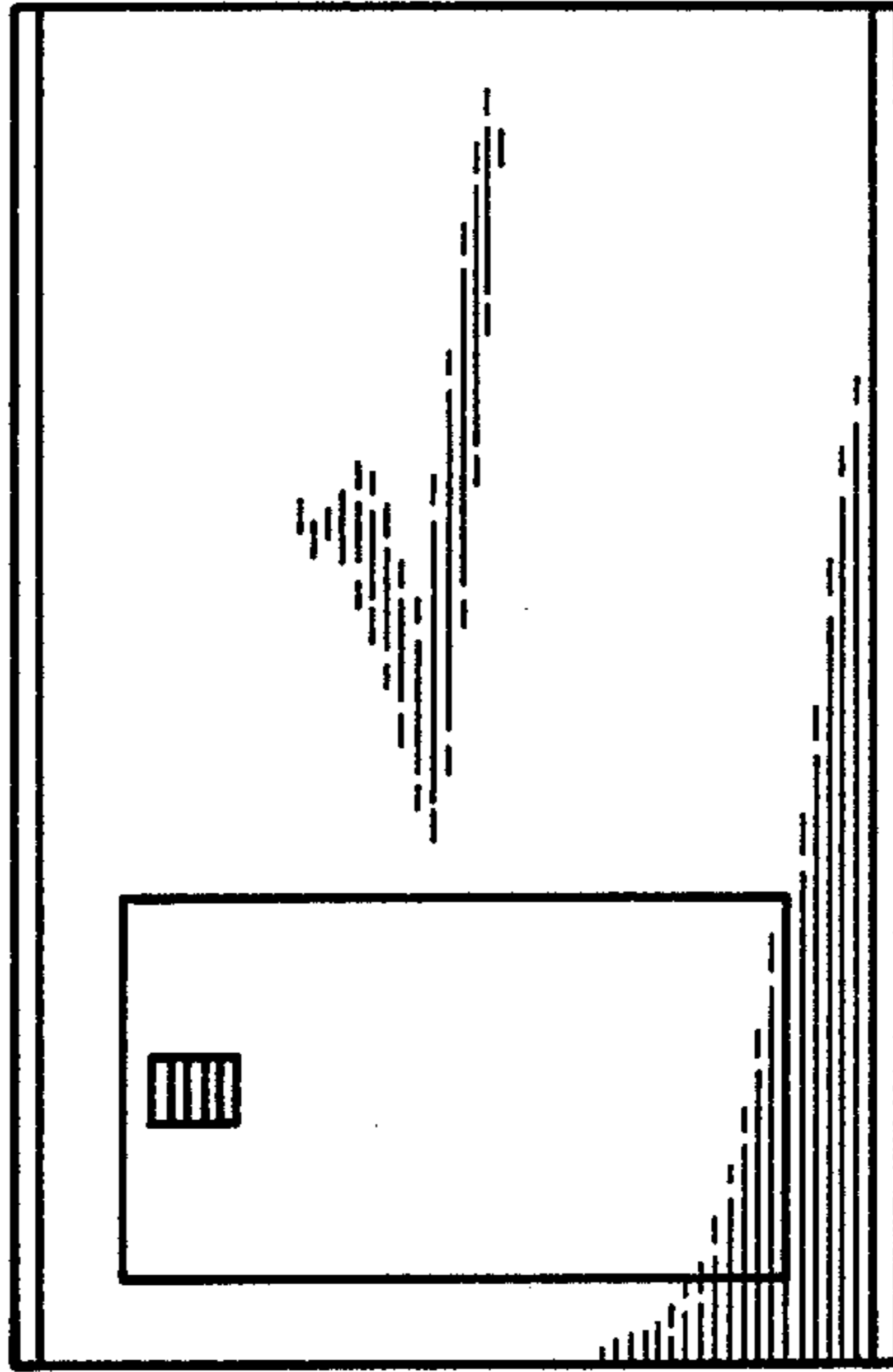


Fig. 3