

[54] COMBINED TIMER AND CLIP FOR PILOTS

[76] Inventor: Cyrus Khavari, P.O. Box 24908, Denver, Colo. 80224

[**] Term: 14 Years

[21] Appl. No.: 109,611

[22] Filed: Oct. 19, 1987

[52] U.S. Cl. D10/31; D10/2; D10/30; D19/88

[58] Field of Search D10/1-39, D10/122-132; D2/624; D11/201, 216; D19/86, 88; 368/316-317, 285, 107-121

[56] References Cited

U.S. PATENT DOCUMENTS

D. 86,684	4/1932	Palmer	D19/86	X
D, 284,976	8/1986	Hung	D19/88	X
1,738,643	12/1929	Dann	368/316	X
2,881,009	4/1959	Delaney	D19/88	X

4,087,679	5/1978	Maymarev	368/250	X
4,362,402	12/1982	Kallinke	368/317	

OTHER PUBLICATIONS

Hong Kong Enterprise-7/85-p. 120-stopwatch at top.

Primary Examiner—Nelson C. Holtje

Attorney, Agent, or Firm—Fields, Lewis, Pittenger & Rost

[57] CLAIM

The ornamental design for a combined timer and clip for pilots, as shown.

DESCRIPTION

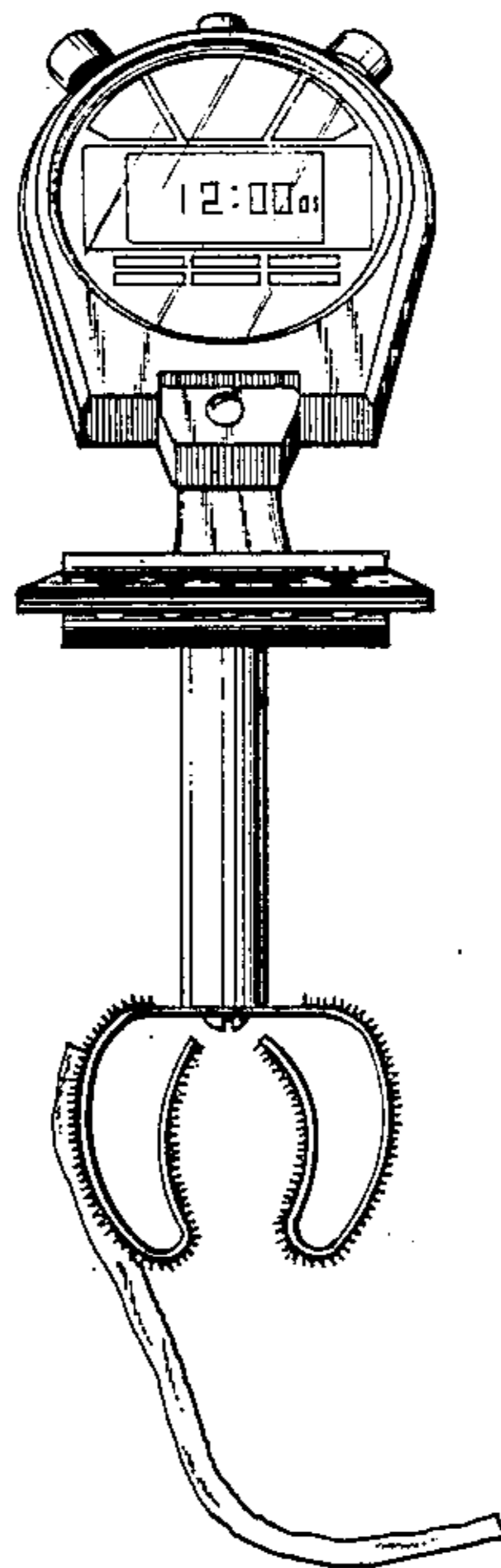
FIG. 1 is a front elevational of the combined timer and clip for pilots showing my new design;

FIG. 2 is a rear elevational thereof;

FIG. 3 is a right side elevational thereof;

FIG. 4 is a top plan view thereof; and,

FIG. 5 is a bottom plan view thereof.



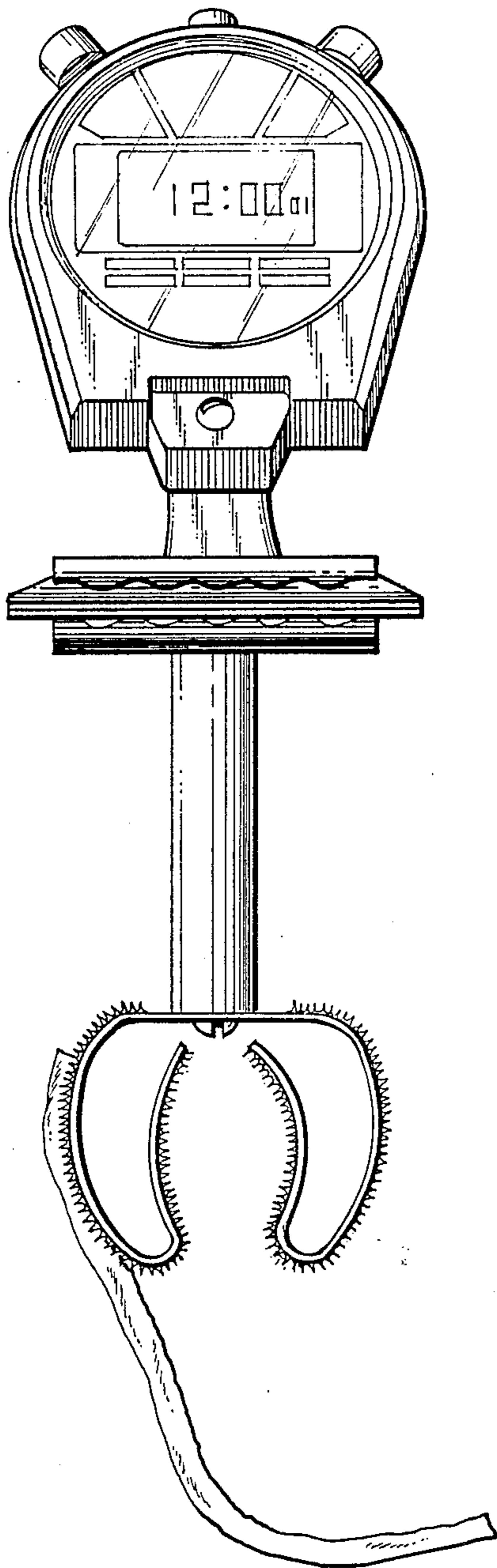


Fig. 1

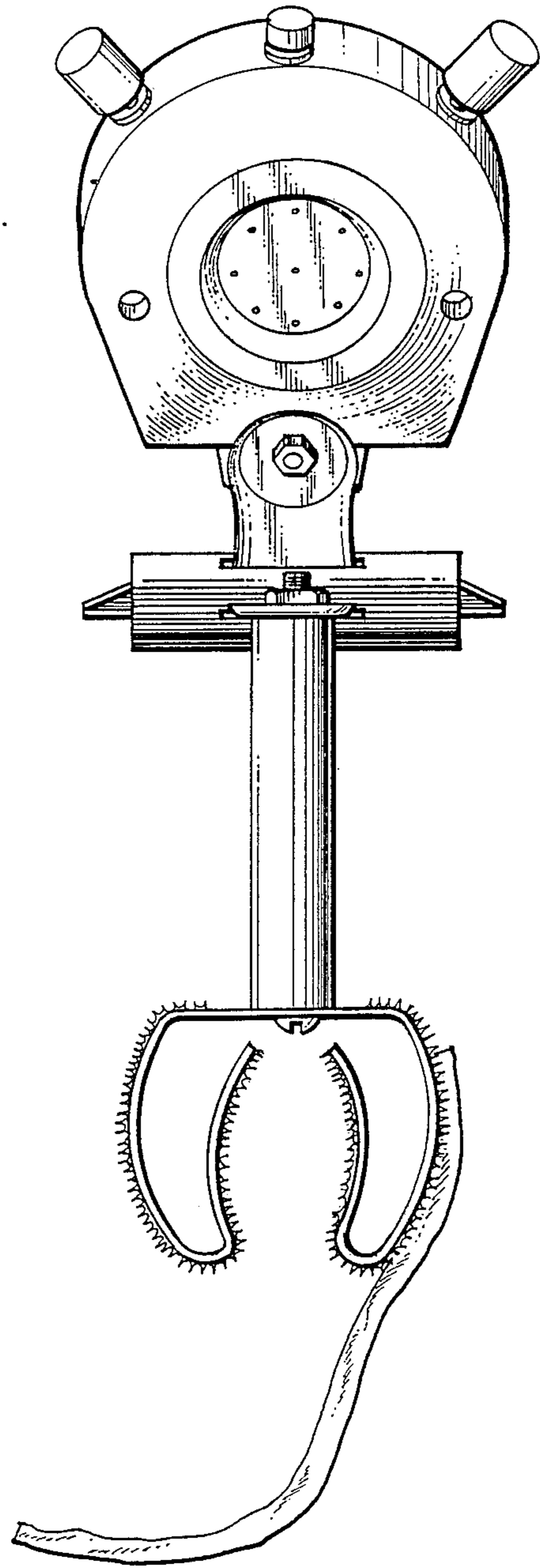


Fig. 2

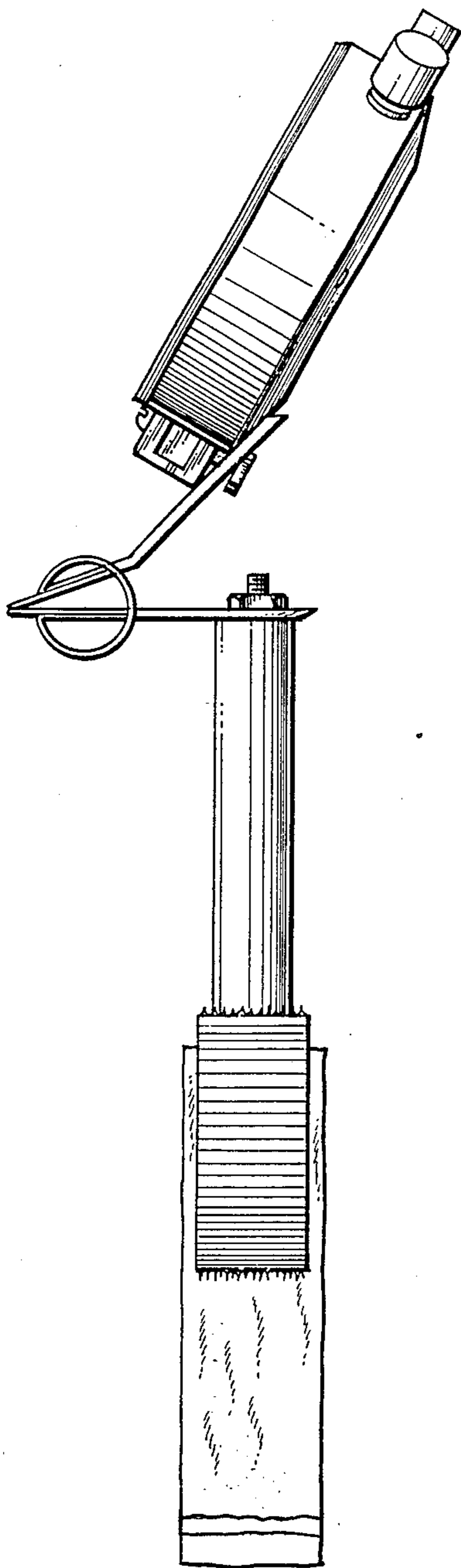


fig. 3

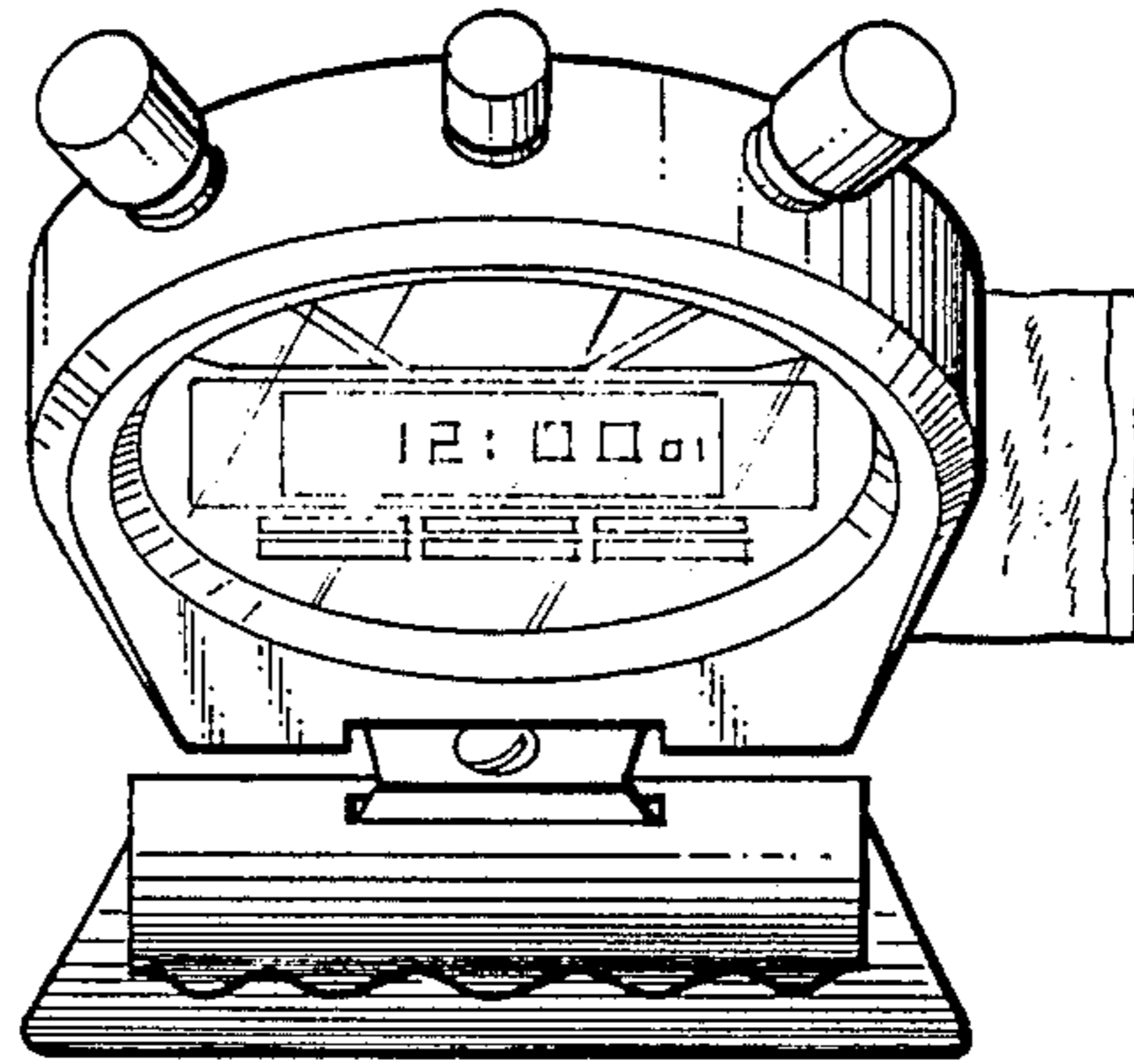


fig. 4

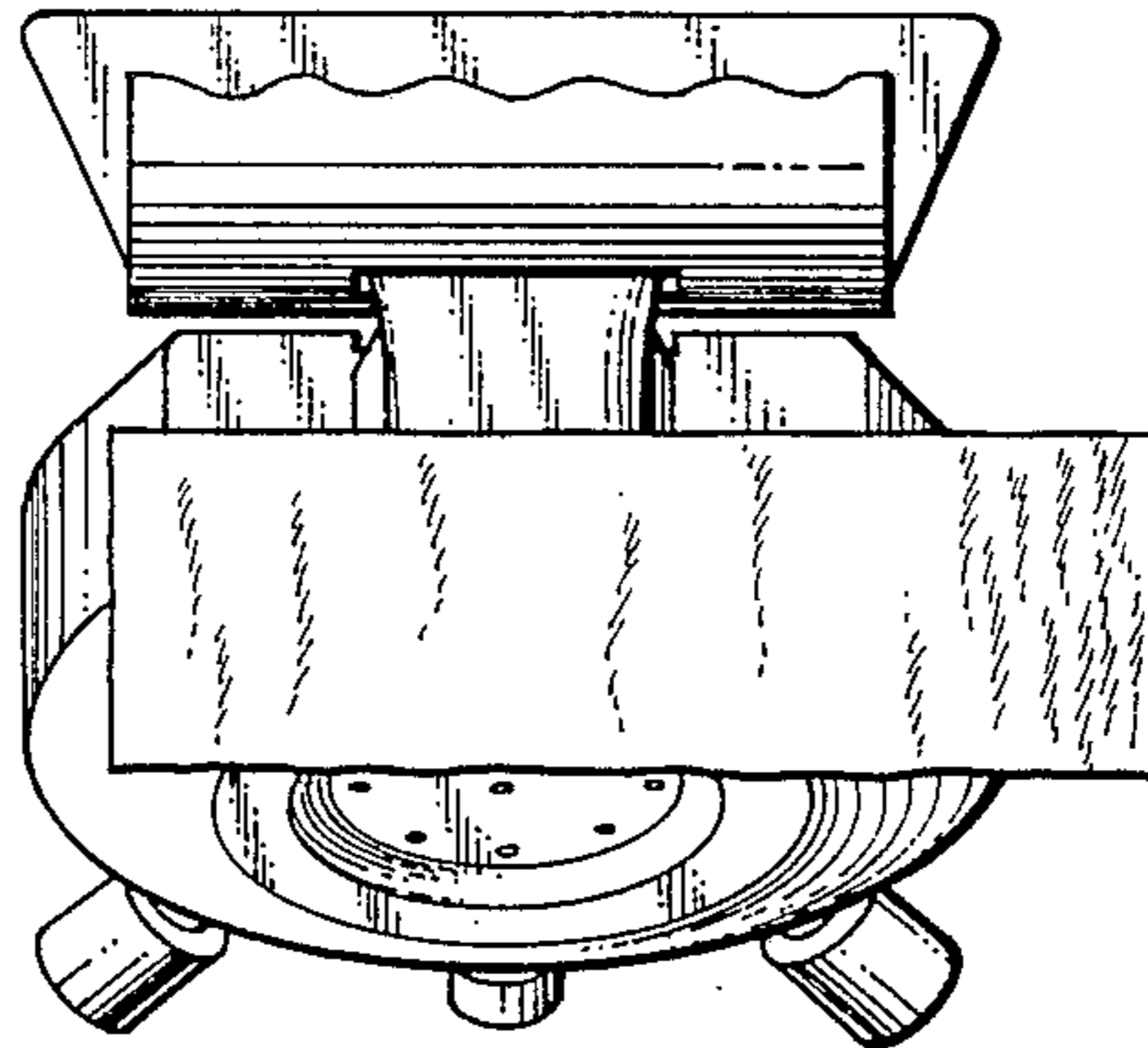


fig. 5