

[54] MICROWAVEABLE FOOD PACKAGE

[75] Inventor: Duane M. Regenscheid, Austin, Minn.

[73] Assignee: Geo. A. Hormel & Co., Austin, Minn.

[**] Term: 14 Years

[21] Appl. No.: 254,885

[22] Filed: Oct. 7, 1988

[52] U.S. Cl. D9/345; D9/415

[58] Field of Search D9/415, 414, 418, 345, D9/305, 337; 206/439, 497; 229/120, DIG. 14; 220/DIG. 27; 426/107, 108

[56] References Cited

U.S. PATENT DOCUMENTS

D. 250,249	11/1978	Flecken	D9/345	X
D. 285,412	9/1986	Harwell, Jr.	D9/345	
3,185,372	5/1965	Ferraro	426/107	X
3,392,033	7/1968	Thulin	426/107	
3,873,735	3/1975	Chalin et al.	426/118	X
4,210,674	7/1980	Mitchell	426/107	

4,404,241	9/1983	Mueller et al.	428/35	
4,834,247	5/1989	Oshima et al.	426/118	X
4,873,101	10/1989	Larson et al.	426/118	X

FOREIGN PATENT DOCUMENTS

2188520 9/1987 United Kingdom .

Primary Examiner—Bernard Ansher
Assistant Examiner—Prabhakar Deshmukh
Attorney, Agent, or Firm—Merchant, Gould, Smith, Edell, Welter & Schmidt

[57] CLAIM

The ornamental design for microwaveable food package, as shown and described.

DESCRIPTION

FIG. 1 is a front perspective view of a microwaveable food package showing my new design.
FIG. 2 is a top plan view;
FIG. 3 is a left side elevational view, the right side elevation view being a mirror image thereof;
FIG. 4 is a bottom plan view; and
FIG. 5 is a front elevational view, the rear elevational view being a mirror image thereof.

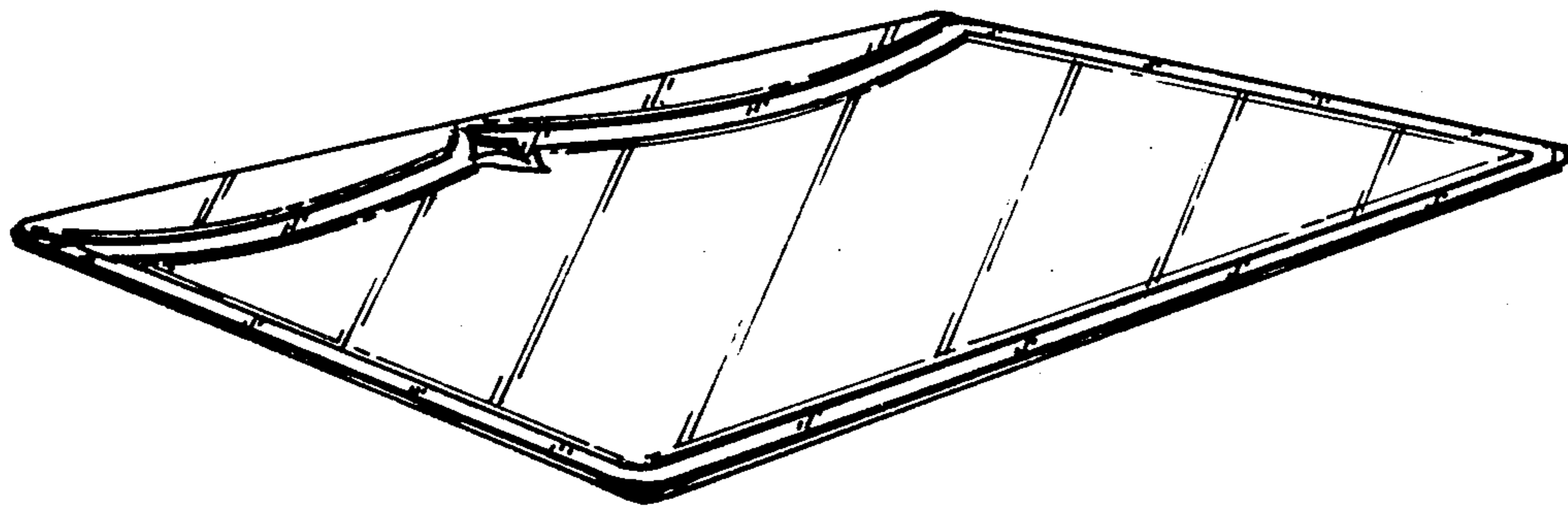


FIG. 1

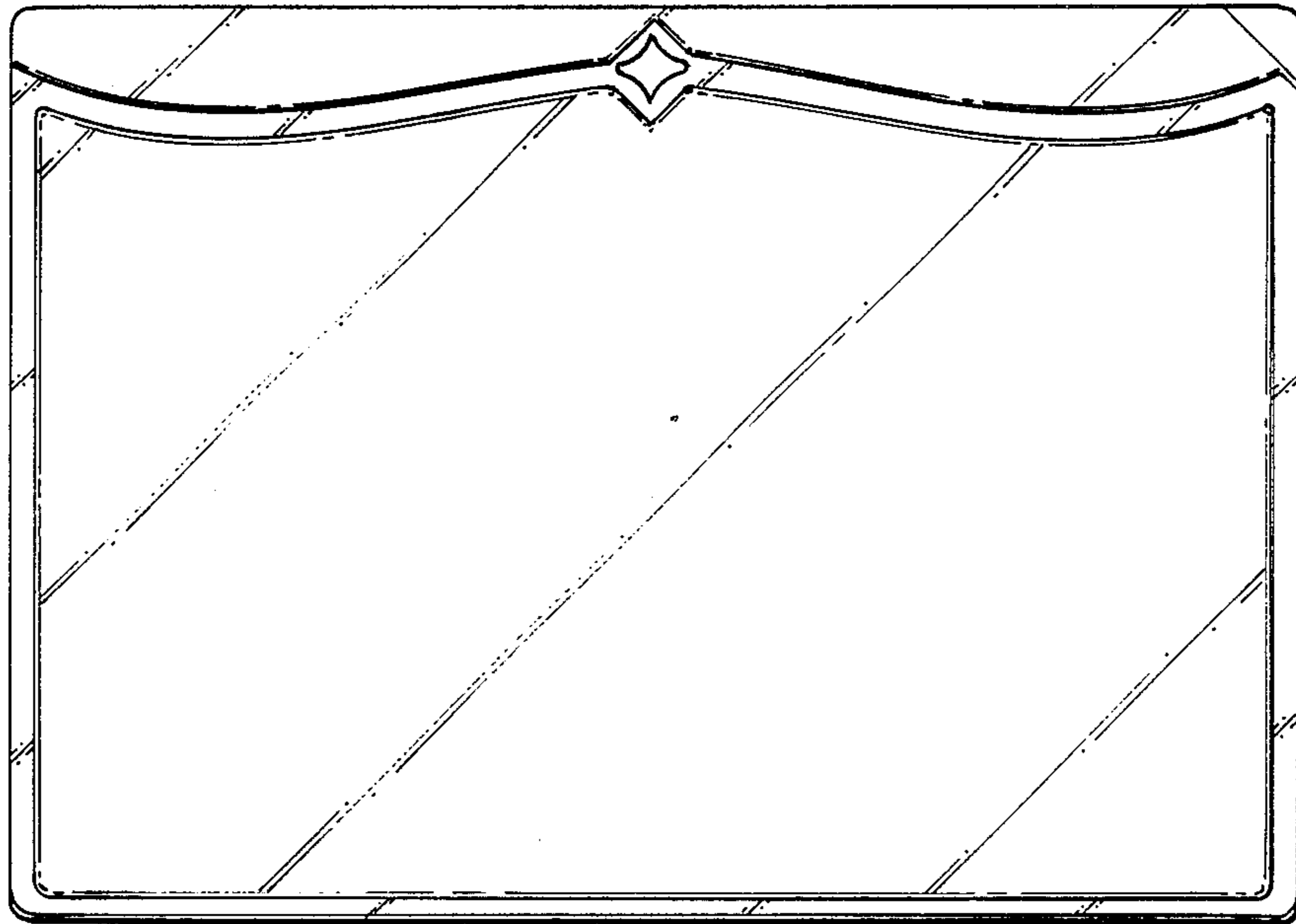
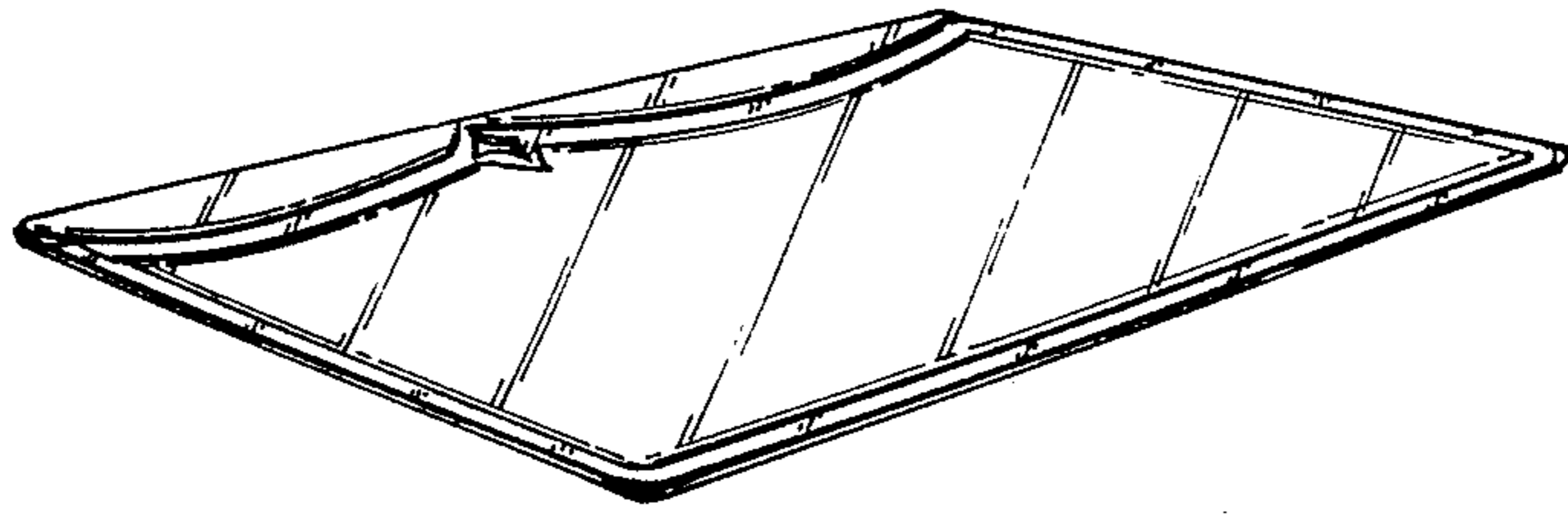


FIG. 2

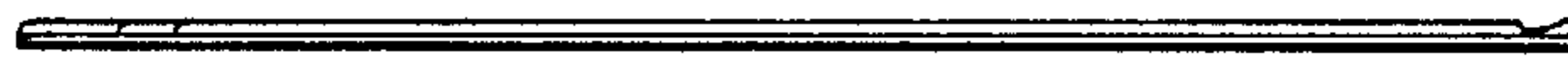


FIG. 3

FIG. 4

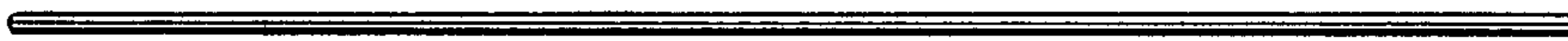
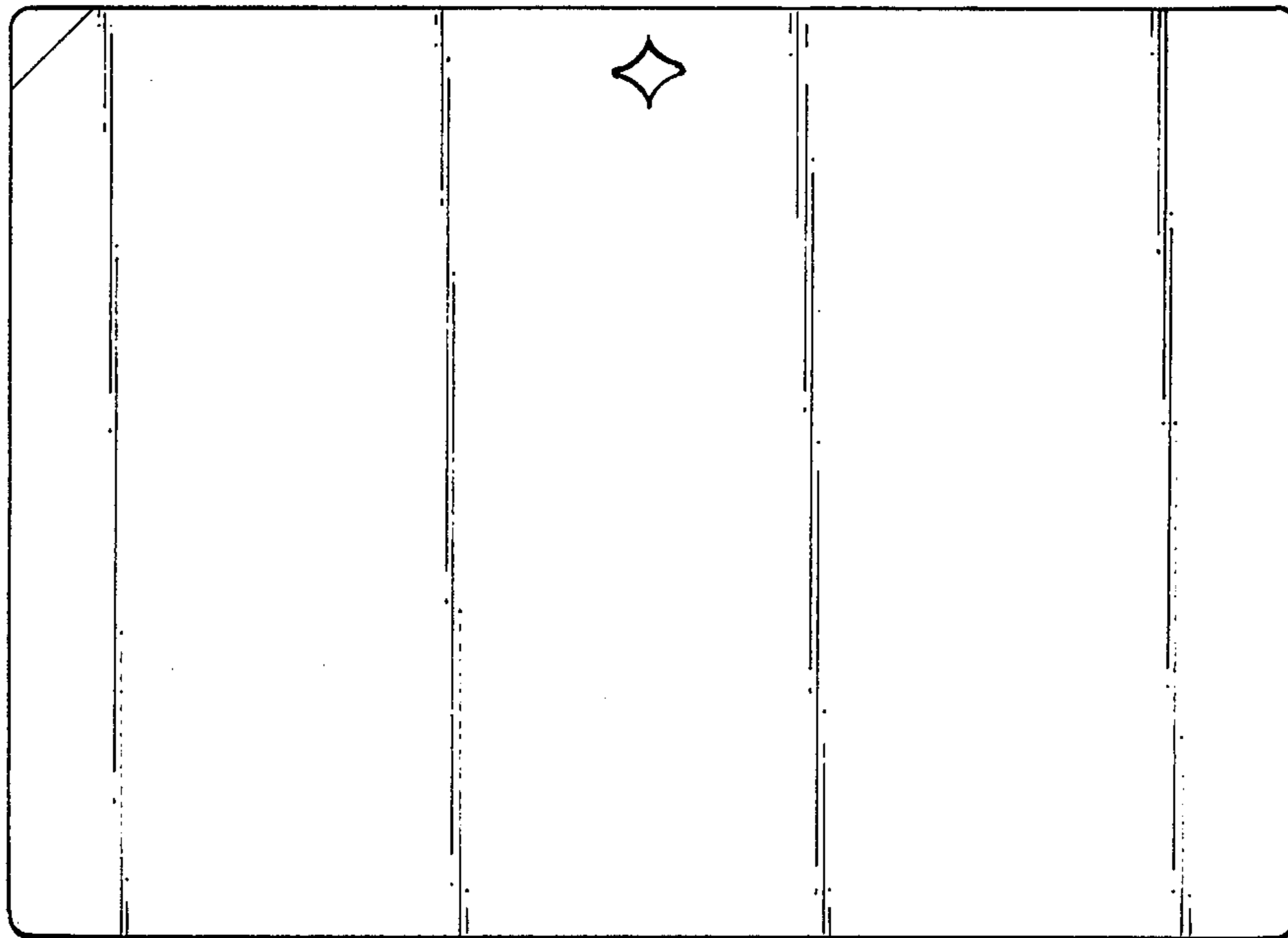


FIG. 5