

[54] **SCREW DRIVER BIT**  
[75] **Inventor: Mario W. Espin, Charlotte, N.C.**  
[73] **Assignee: Helen P. Espin, Charlotte, N.C.**  
[\*\*] **Term: 14 Years**  
[21] **Appl. No.: 930,868**  
[22] **Filed: Nov. 14, 1986**  
[52] **U.S. Cl. .... D8/86; D8/70;  
D15/139**  
[58] **Field of Search .... D8/82-87;  
81/436, 441, 901; D15/139**

3,913,647 10/1975 Arnn ..... 81/441

**FOREIGN PATENT DOCUMENTS**

747810 4/1933 France ..... 81/436  
84698 10/1935 Sweden ..... 81/436  
1277117 6/1972 United Kingdom ..... 81/436

*Primary Examiner*—Bruce W. Dunkins  
*Assistant Examiner*—Clare E. Heflin  
*Attorney, Agent, or Firm*—Shefte, Pinckney & Sawyer

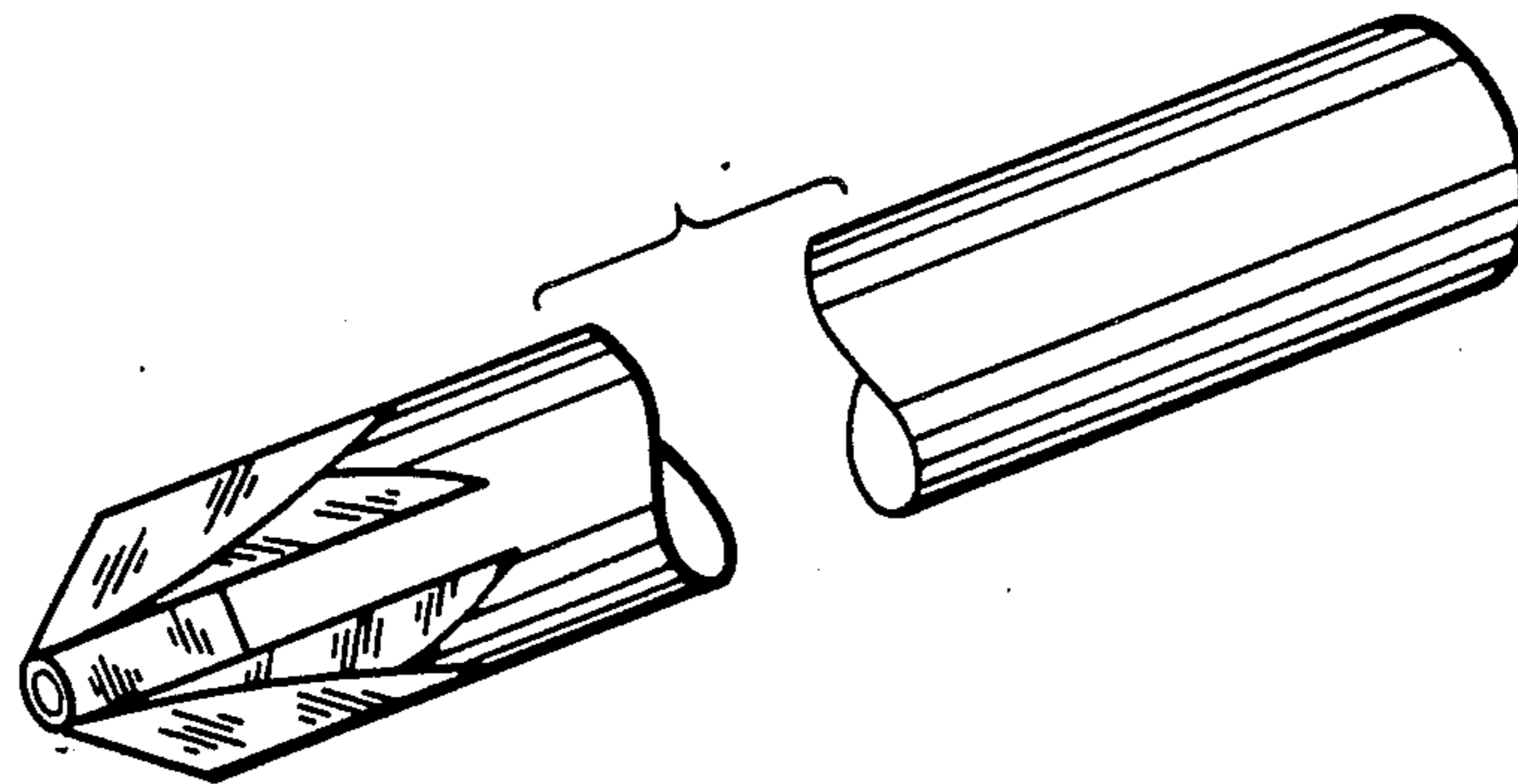
[57] **CLAIM**

The ornamental design for a screw driver bit, as shown and described.

**DESCRIPTION**

FIG. 1 is a perspective view of a screw driver bit, showing my new design;  
FIG. 2 is a front end elevational view thereof;  
FIG. 3 is a rear end elevational view thereof; and  
FIG. 4 is a side elevational view thereof, all other sides being identical.

[56] **References Cited**  
**U.S. PATENT DOCUMENTS**  
2,673,359 3/1954 Stellan ..... 81/436  
2,815,054 12/1957 Cummaro ..... 81/436  
2,936,010 5/1960 Ansingh ..... 81/436  
3,122,963 3/1964 Borgeson ..... 81/436



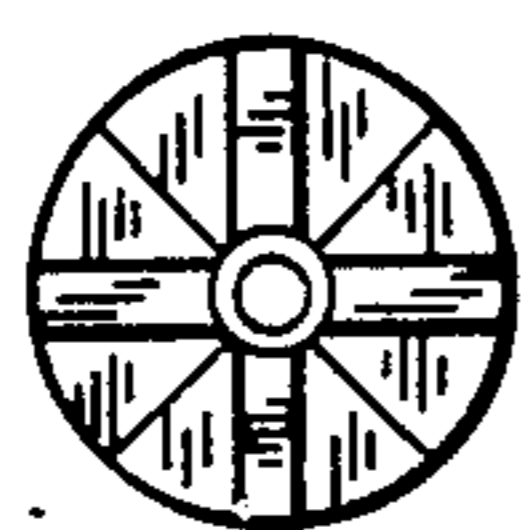
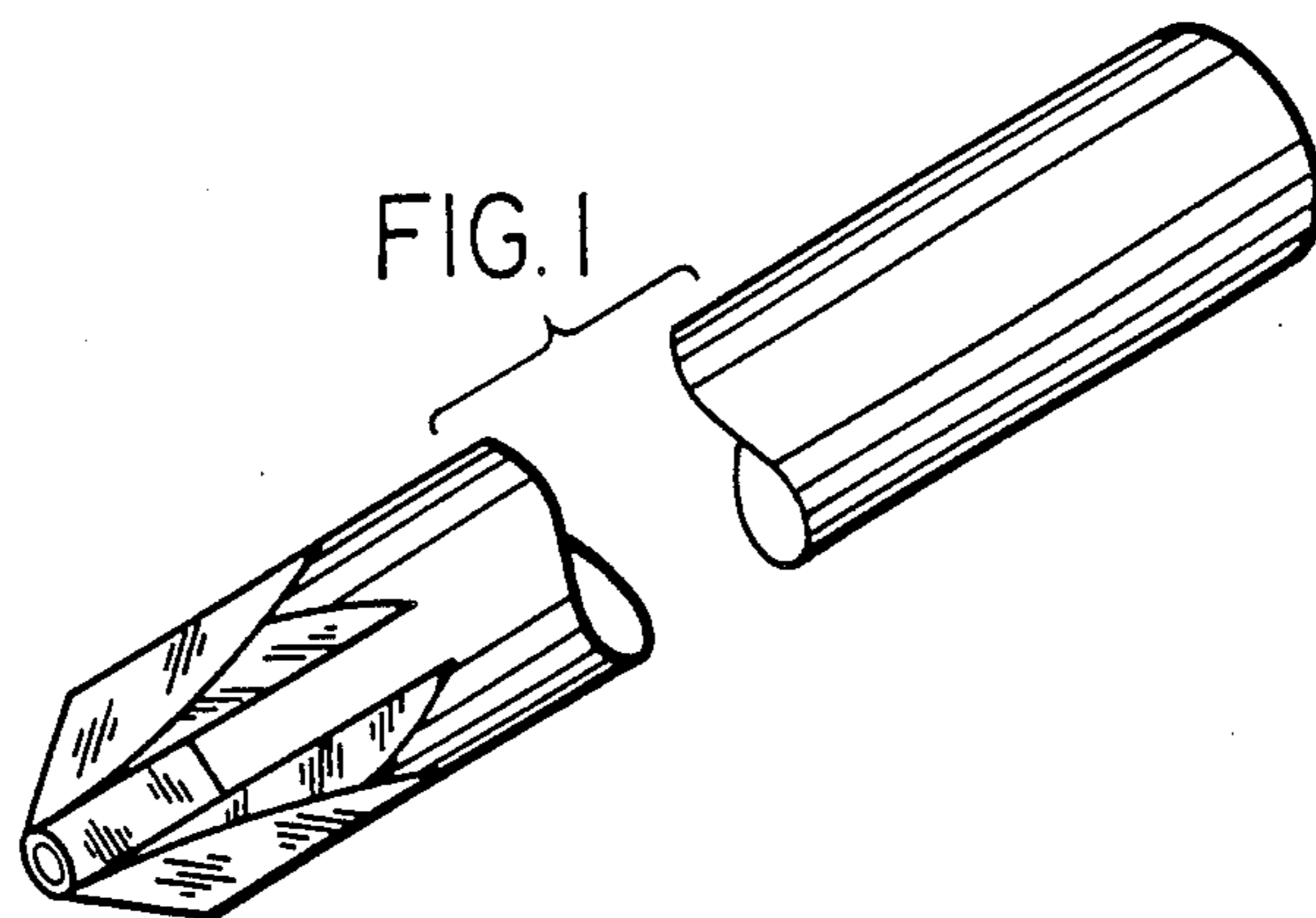


FIG. 2

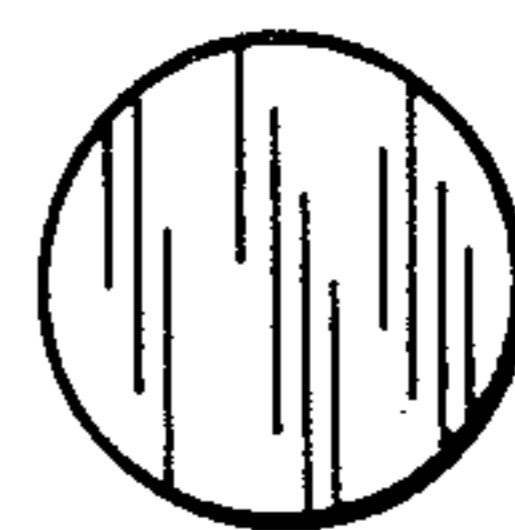


FIG. 3

