

United States Patent [19]

Van Asten

[11] Patent Number: **Des. 311,481**

[45] Date of Patent: **** Oct. 23, 1990**

[54] **CAN-OPENER**

[75] Inventor: **Jan F. Van Asten, Klagenfurt, Austria**

[73] Assignee: **U.S. Philips Corporation, New York, N.Y.**

[**] Term: **14 Years**

[21] Appl. No.: **194,776**

[22] Filed: **May 17, 1988**

[30] **Foreign Application Priority Data**

Nov. 23, 1987 [GB] United Kingdom 1046549

[52] U.S. Cl. **D8/36**

[58] Field of Search **D8/33-36, D8/39, 40; 30/400, 409-410, 416, 421-426**

[56] **References Cited**

U.S. PATENT DOCUMENTS

D. 280,970 10/1985 Van Asten et al. D8/36

Primary Examiner—Bernard Ansher
Assistant Examiner—Terry A. Pfeffer

[57] **CLAIM**

The ornamental design for a can-opener, as shown.

DESCRIPTION

FIG. 1 is a front, top and left side perspective view showing our new design;

FIG. 2 is a front elevational view thereof;

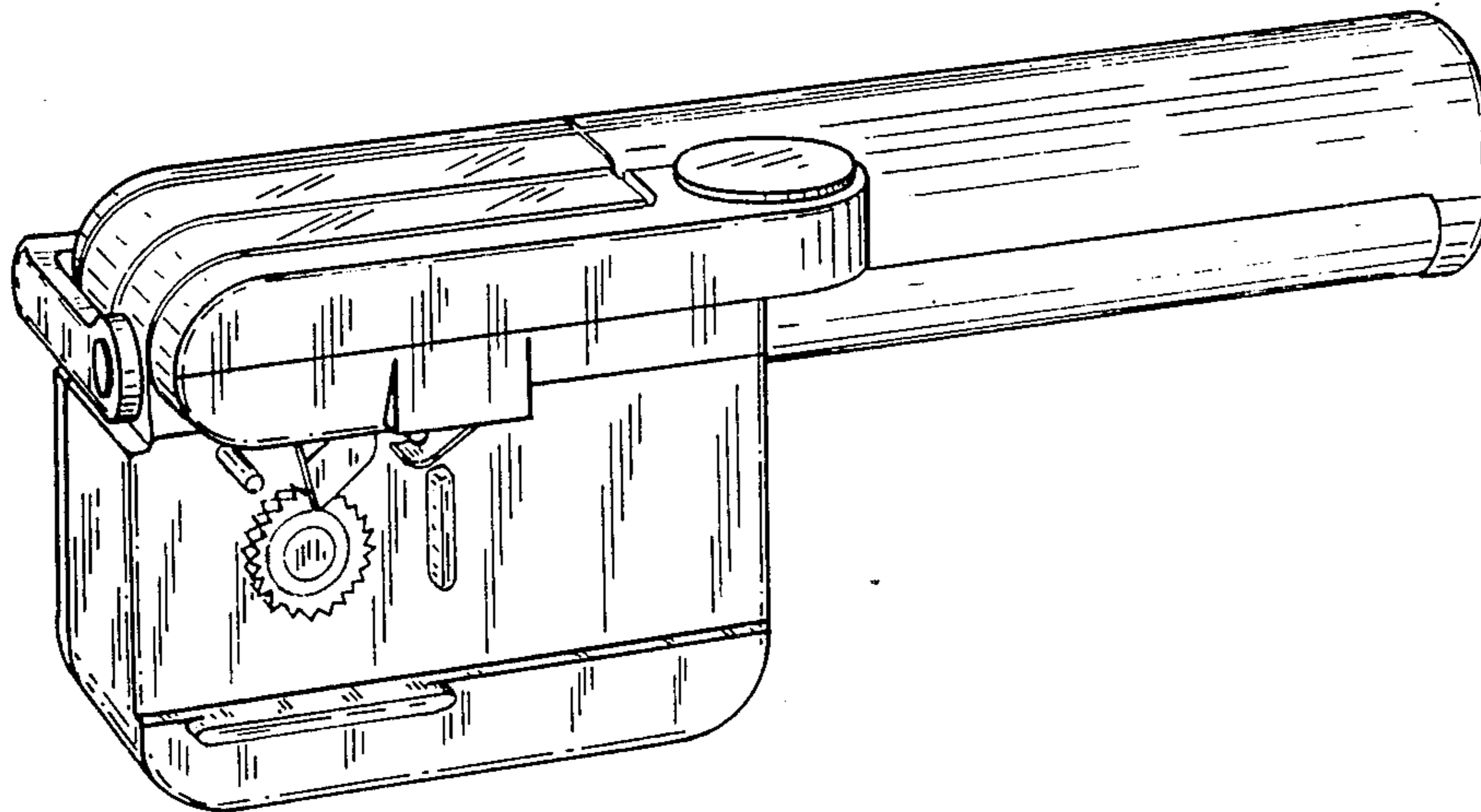
FIG. 3 is a rear elevational view thereof;

FIG. 4 is a left side elevational view thereof;

FIG. 5 is a right side elevational view thereof;

FIG. 6 is a top plan view thereof;

FIG. 7 is a bottom plan view thereof.



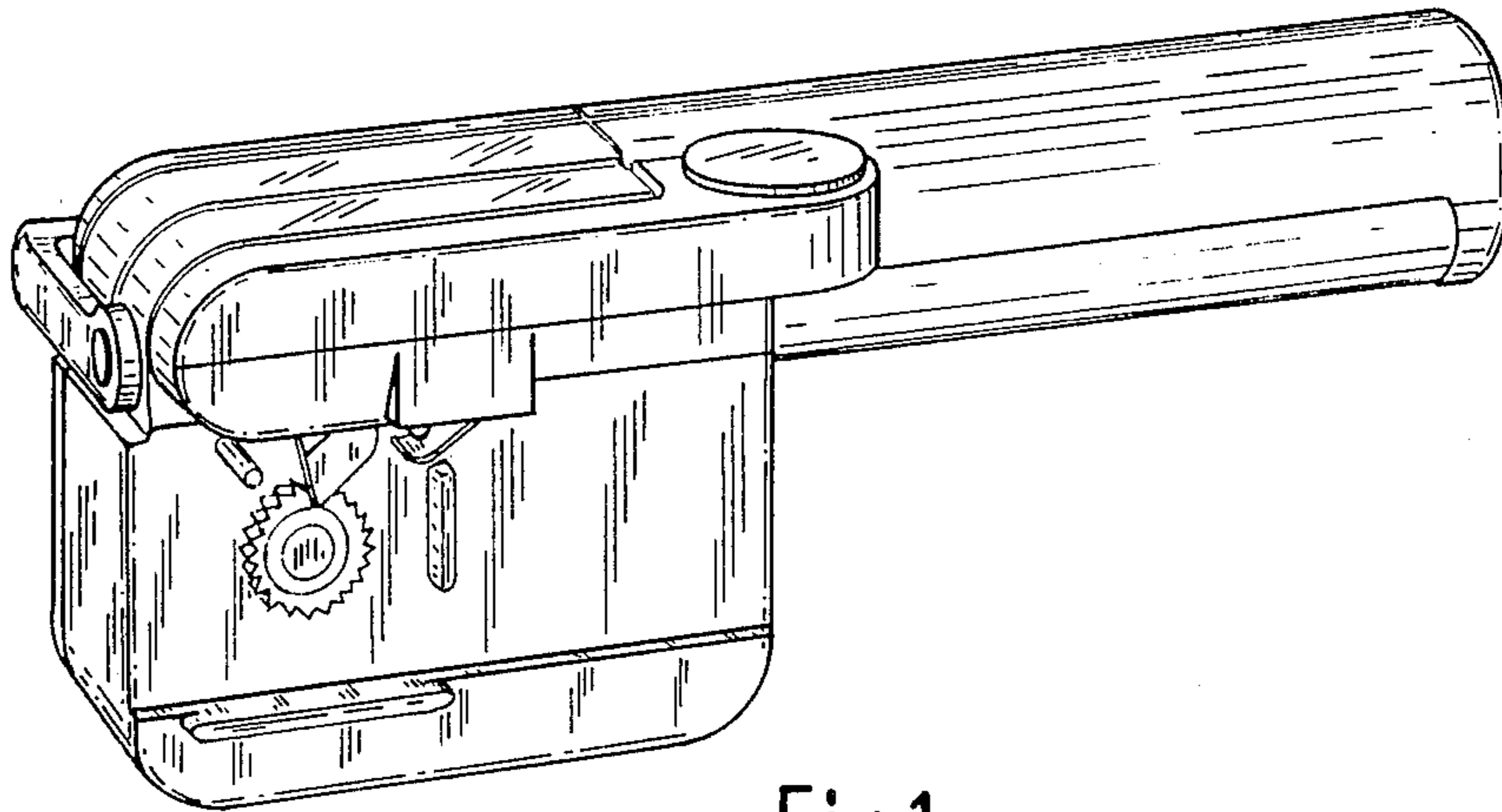


Fig.1

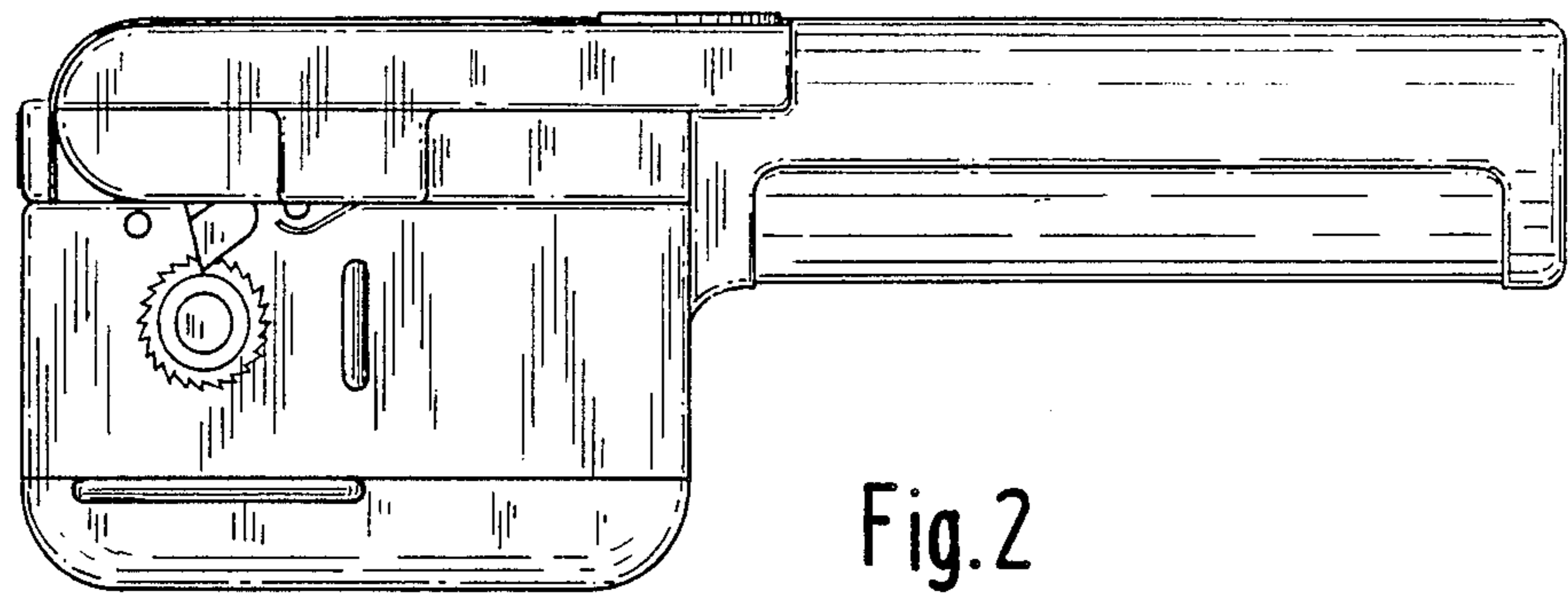


Fig. 2

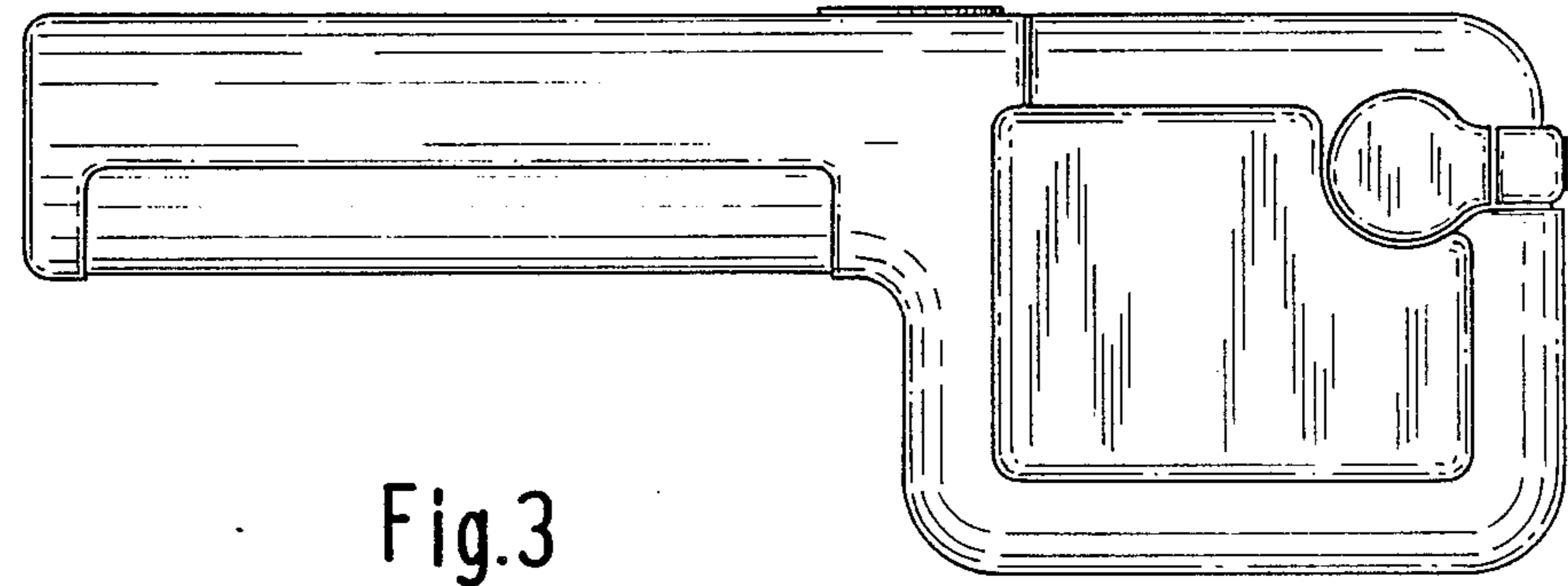


Fig. 3

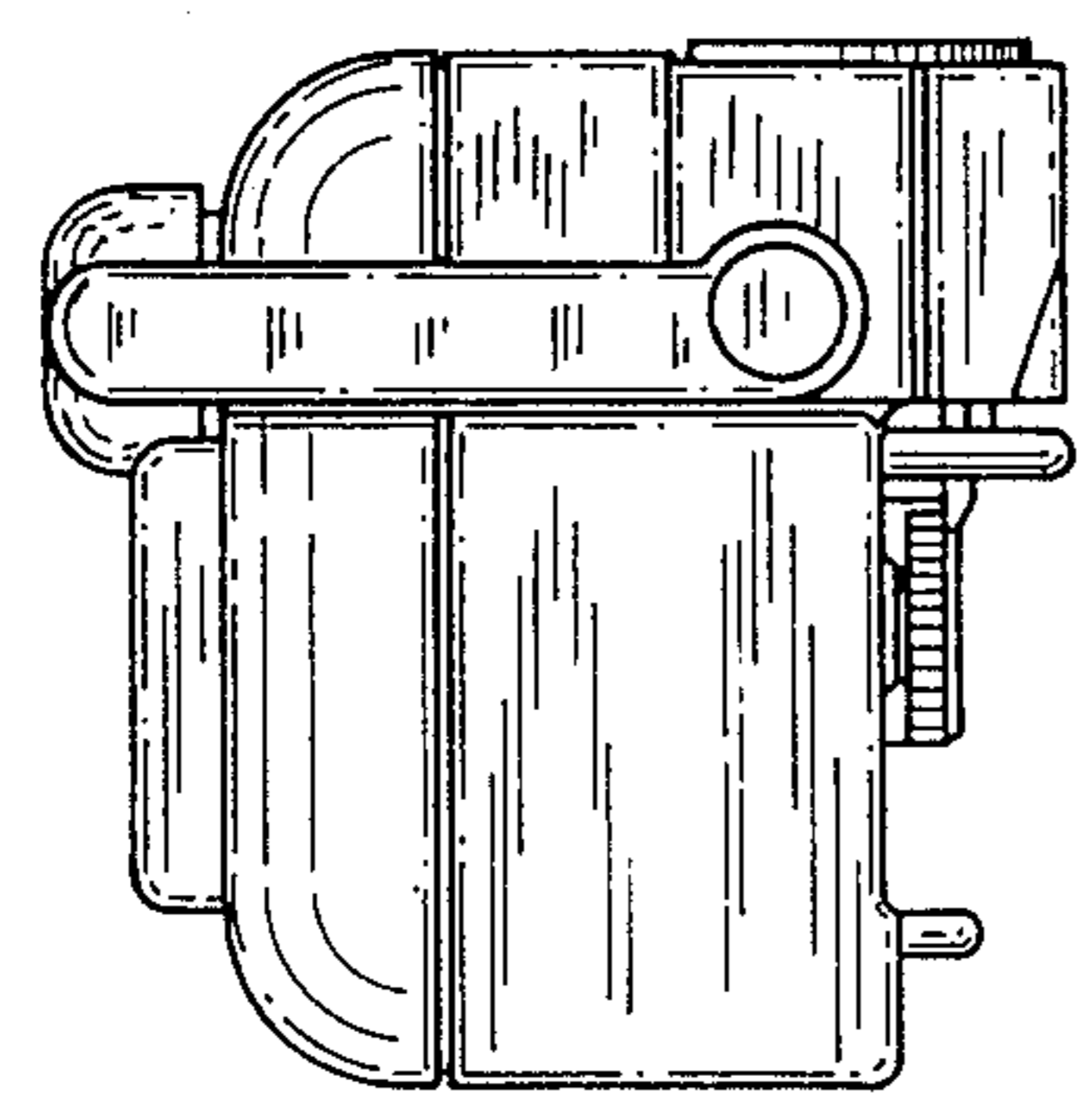


Fig. 4

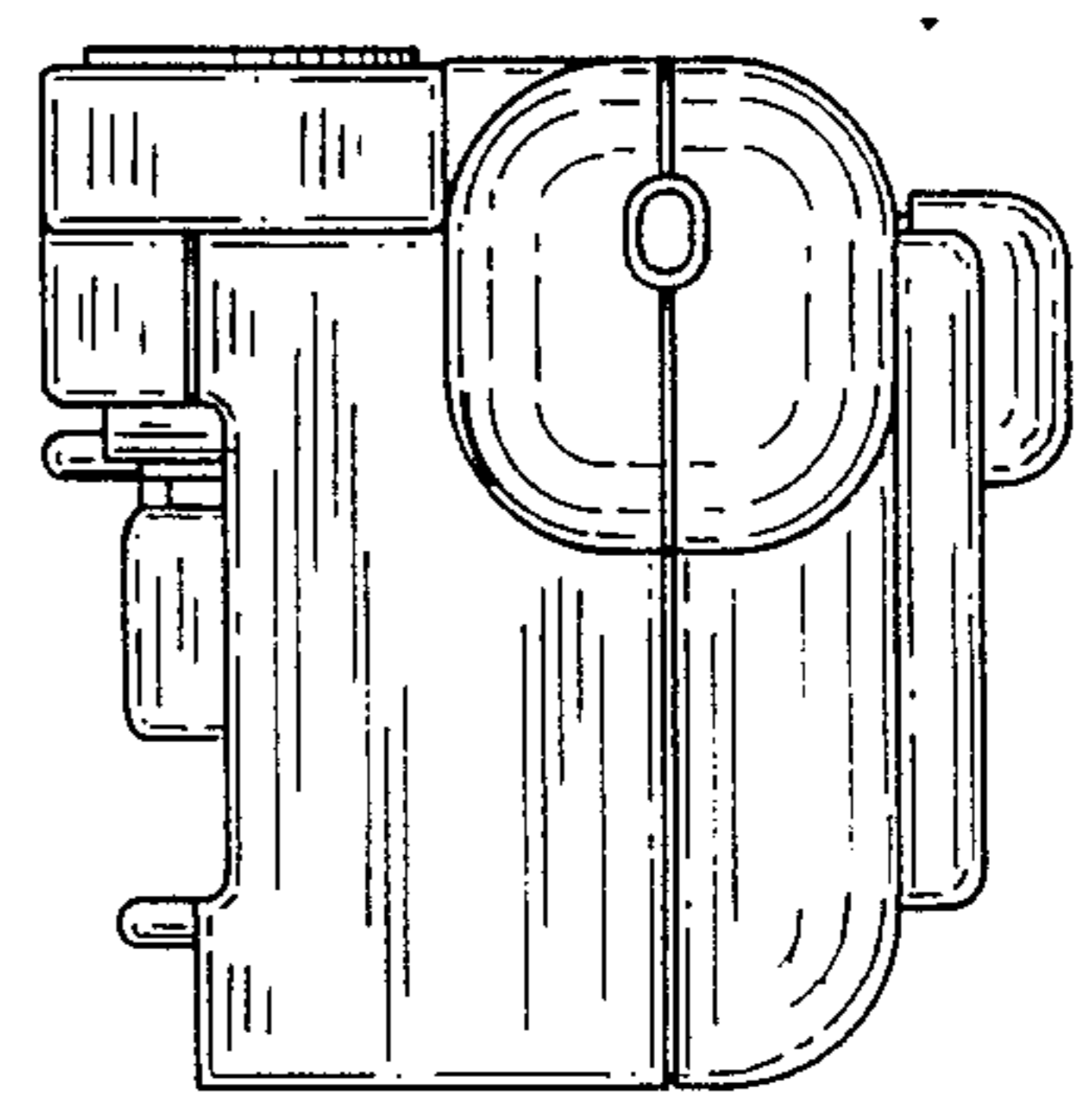


Fig. 5

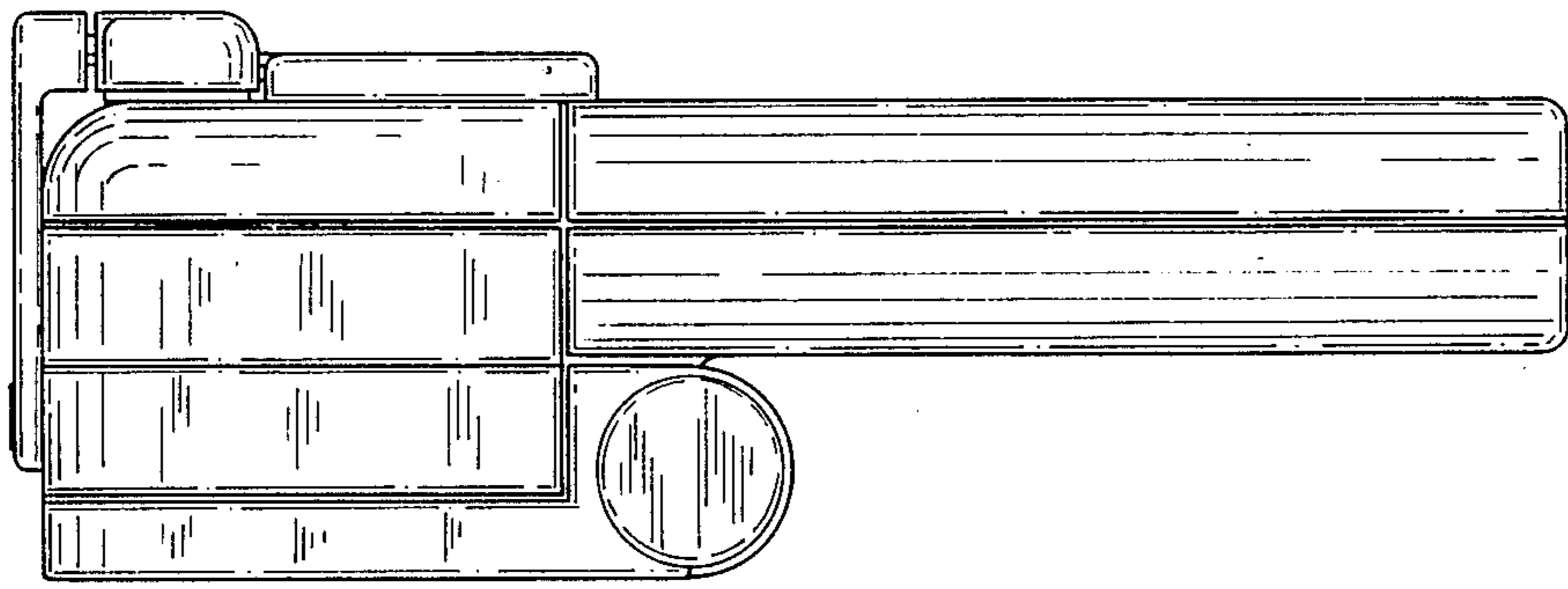


Fig.6

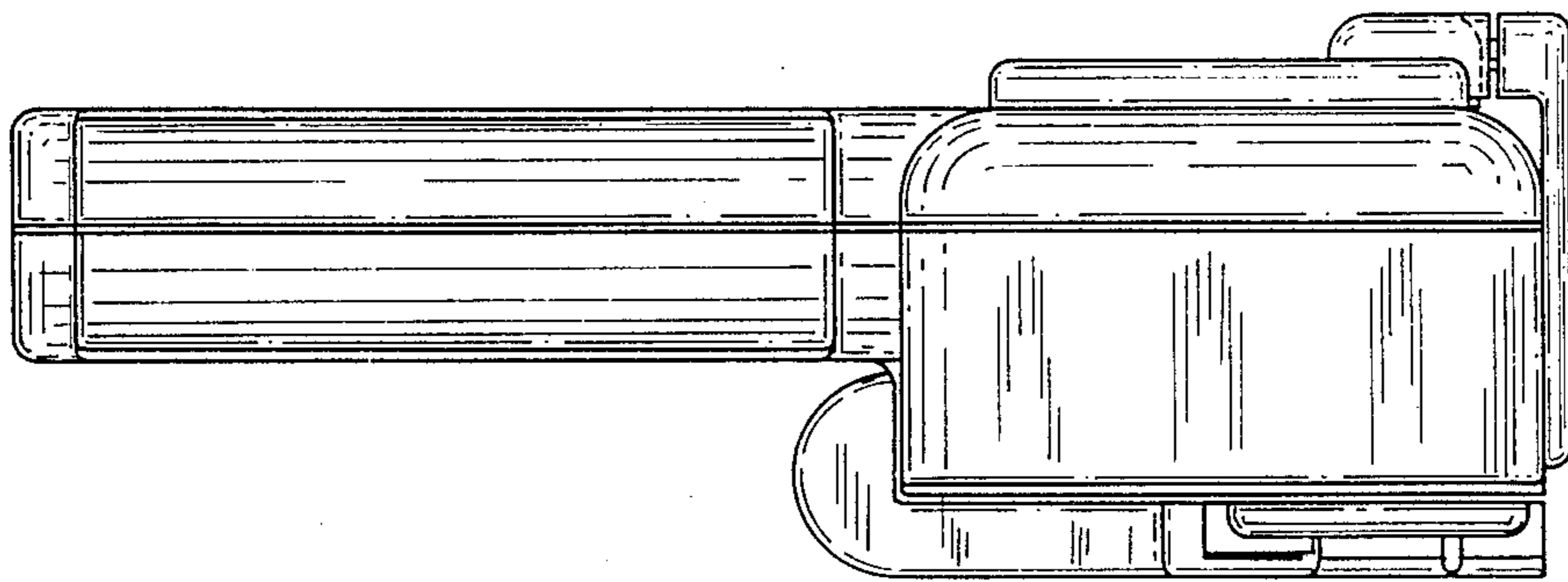


Fig.7