

[54] VACUUM PITCHER

[76] Inventor: Jean-Jacques Durand, LaBute, 62510, Arques, France

[\*\*] Term: 14 Years

[21] Appl. No.: 164,718

[22] Filed: Mar. 7, 1988

[52] U.S. Cl. .... D7/317; D7/318

[58] Field of Search ..... D7/316, 317-319

[56] References Cited

U.S. PATENT DOCUMENTS

- D. 157,795 3/1950 Schwarz ..... D7/317
- D. 286,732 11/1986 Darnell ..... D7/319
- D. 303,905 10/1989 Gibert ..... D7/317
- 3,078,785 2/1963 Antonelli ..... D7/317 X

OTHER PUBLICATIONS

*Retailing Home Furnishings-Supplement to HFD*, Nov.

15, 1982, p. 2, section one, Concept 2-Hammarplast, top row covered jug.

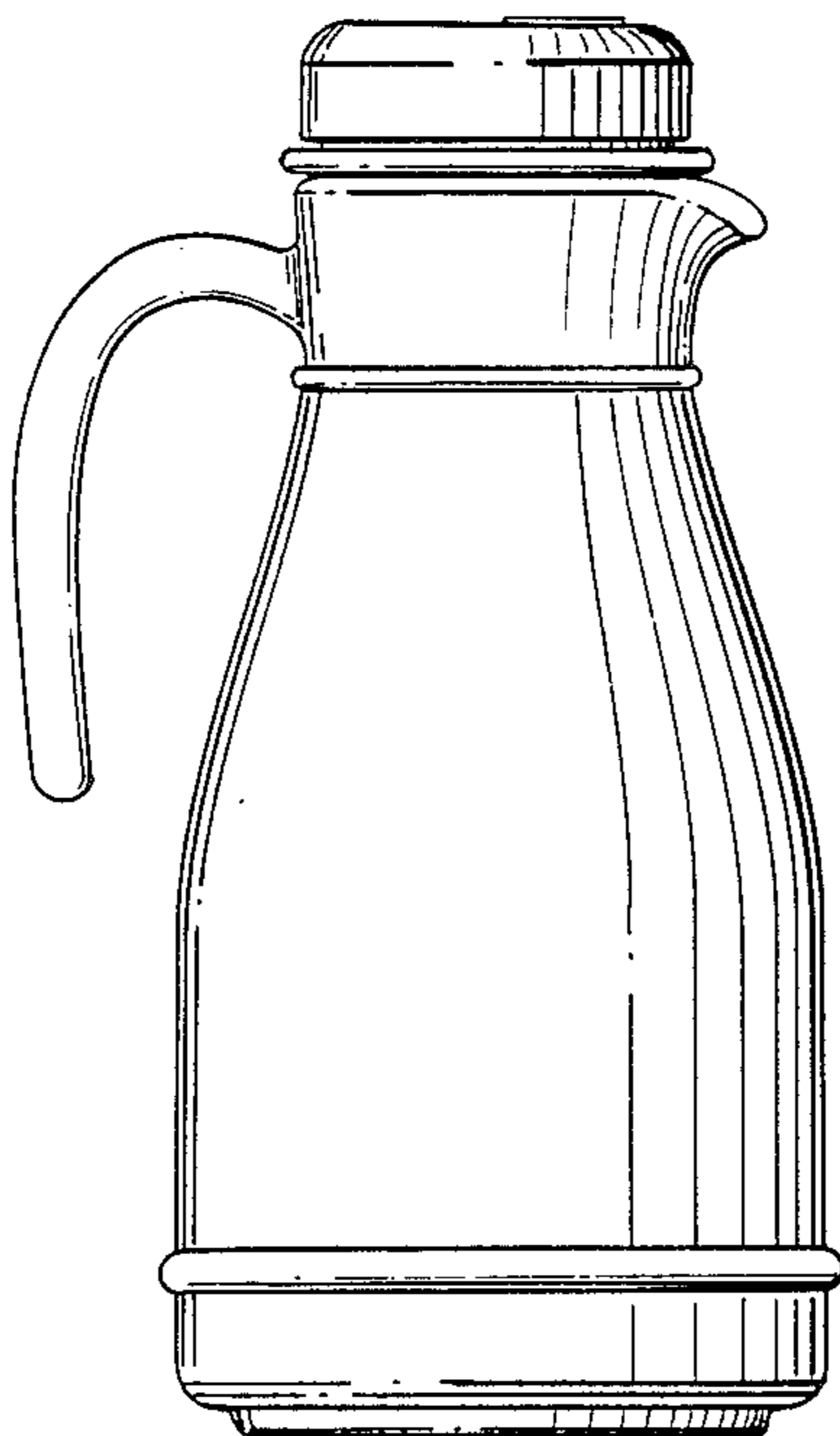
*Primary Examiner*—Winifred E. Herrmann  
*Attorney, Agent, or Firm*—Thomas A. Lennox

[57] CLAIM

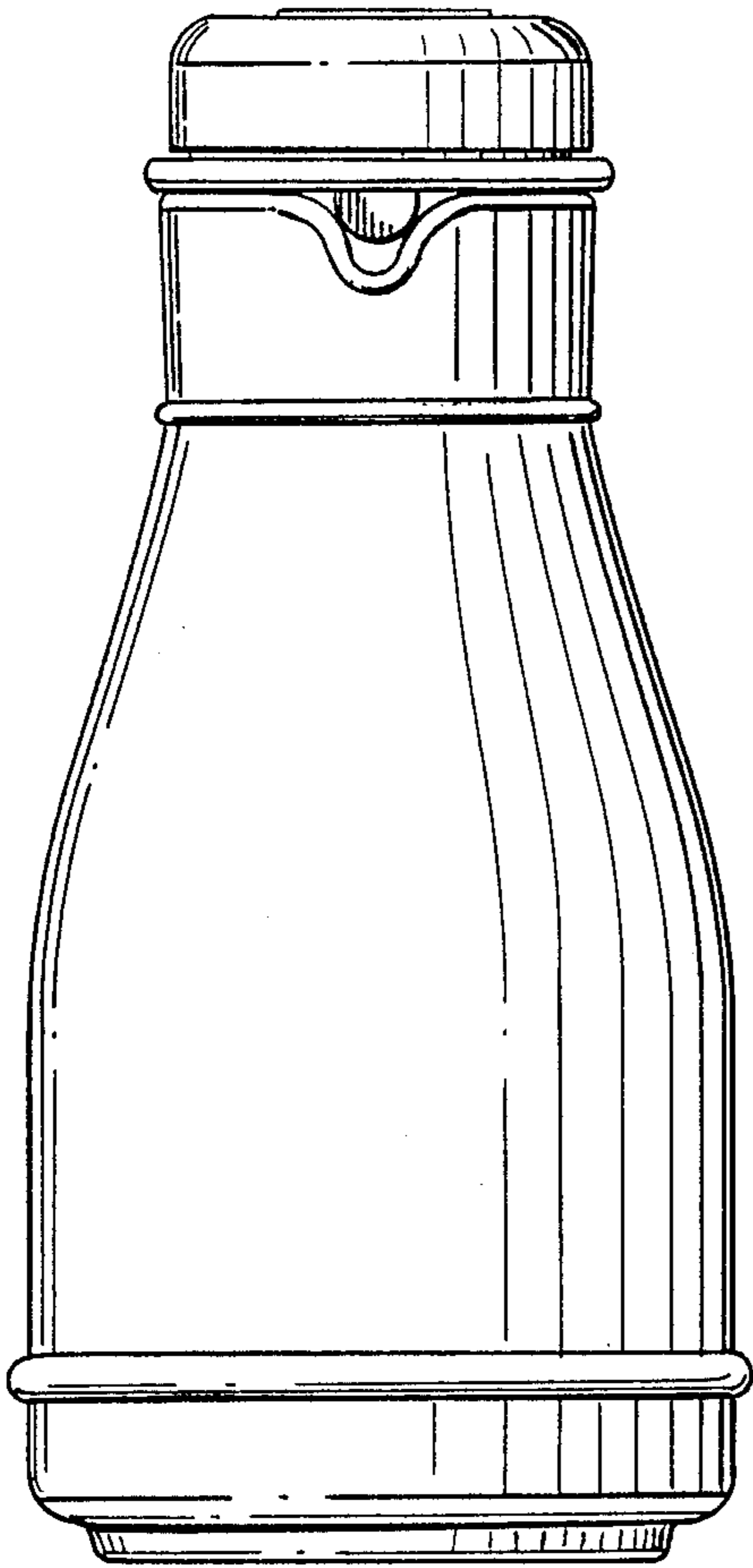
The ornamental design for a vacuum pitcher, as shown and described.

DESCRIPTION

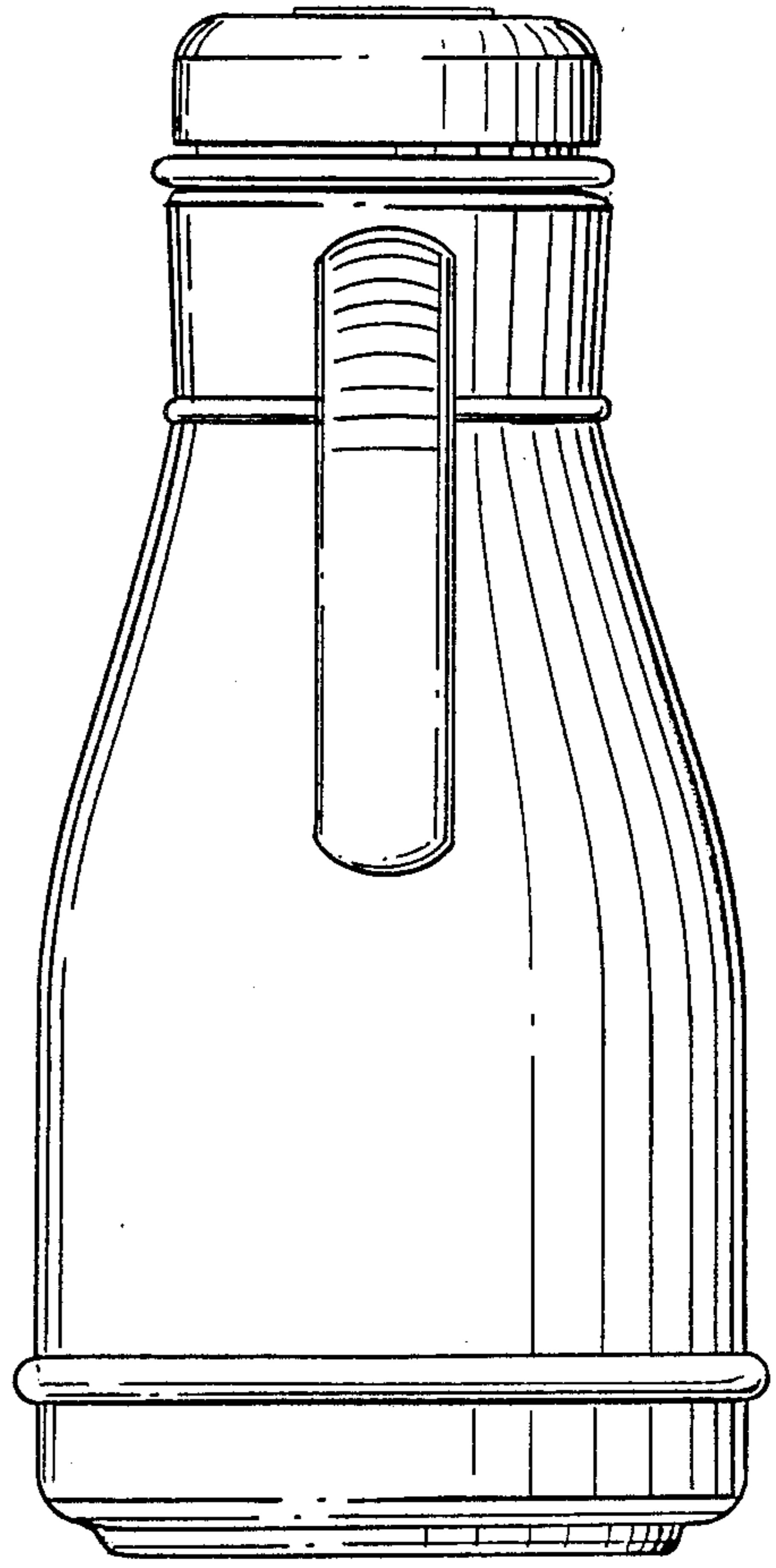
FIG. 1 is a front elevational view of a vacuum pitcher showing my new design;  
FIG. 2 is a rear elevational view thereof;  
FIG. 3 is a bottom plan view thereof;  
FIG. 4 is a left side elevational view thereof, the side opposite being a mirror image; and  
FIG. 5 is a top plan view thereof.



*FIG. 1.*



*FIG. 2.*



*FIG. 3.*

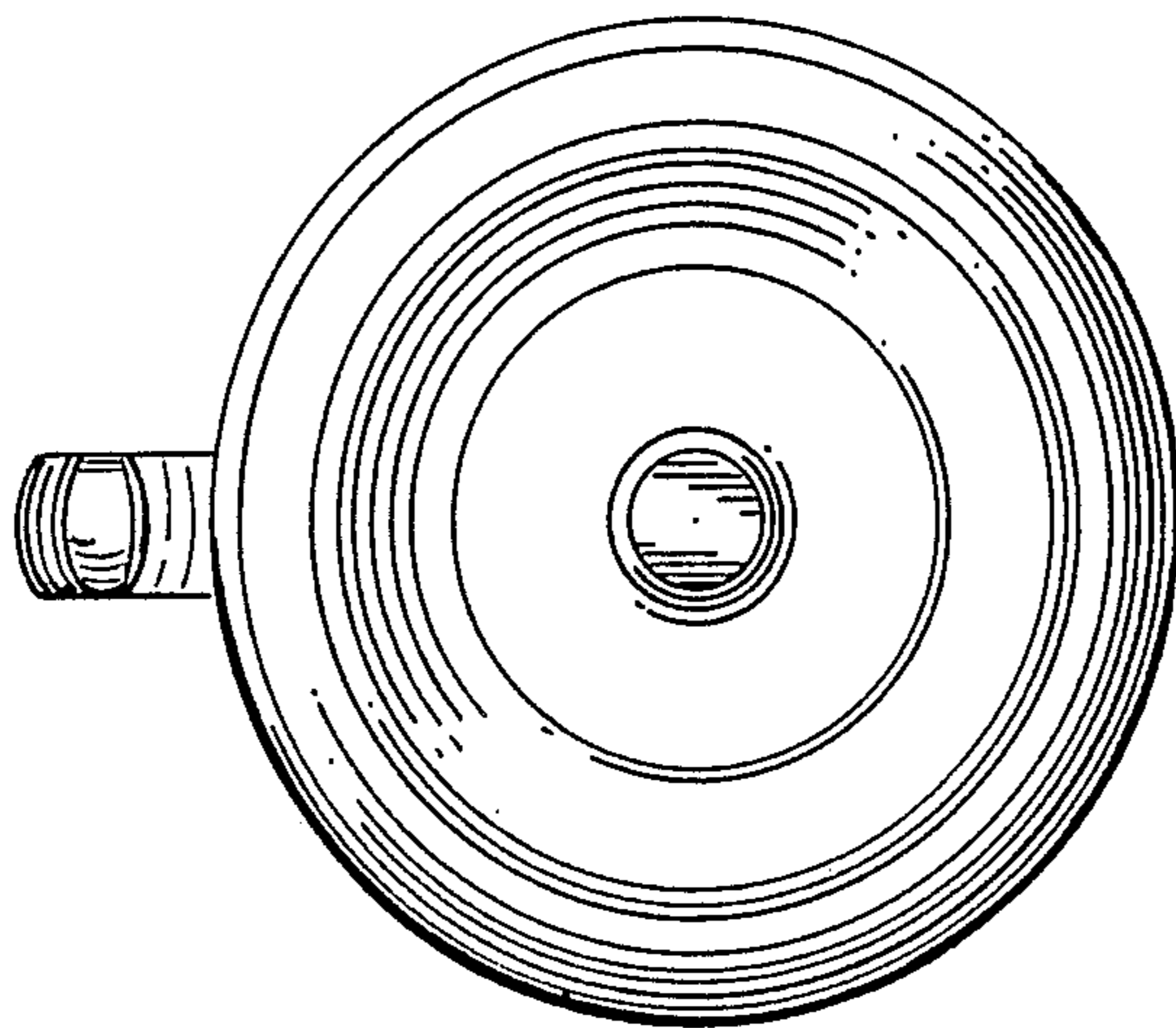


FIG. 4.

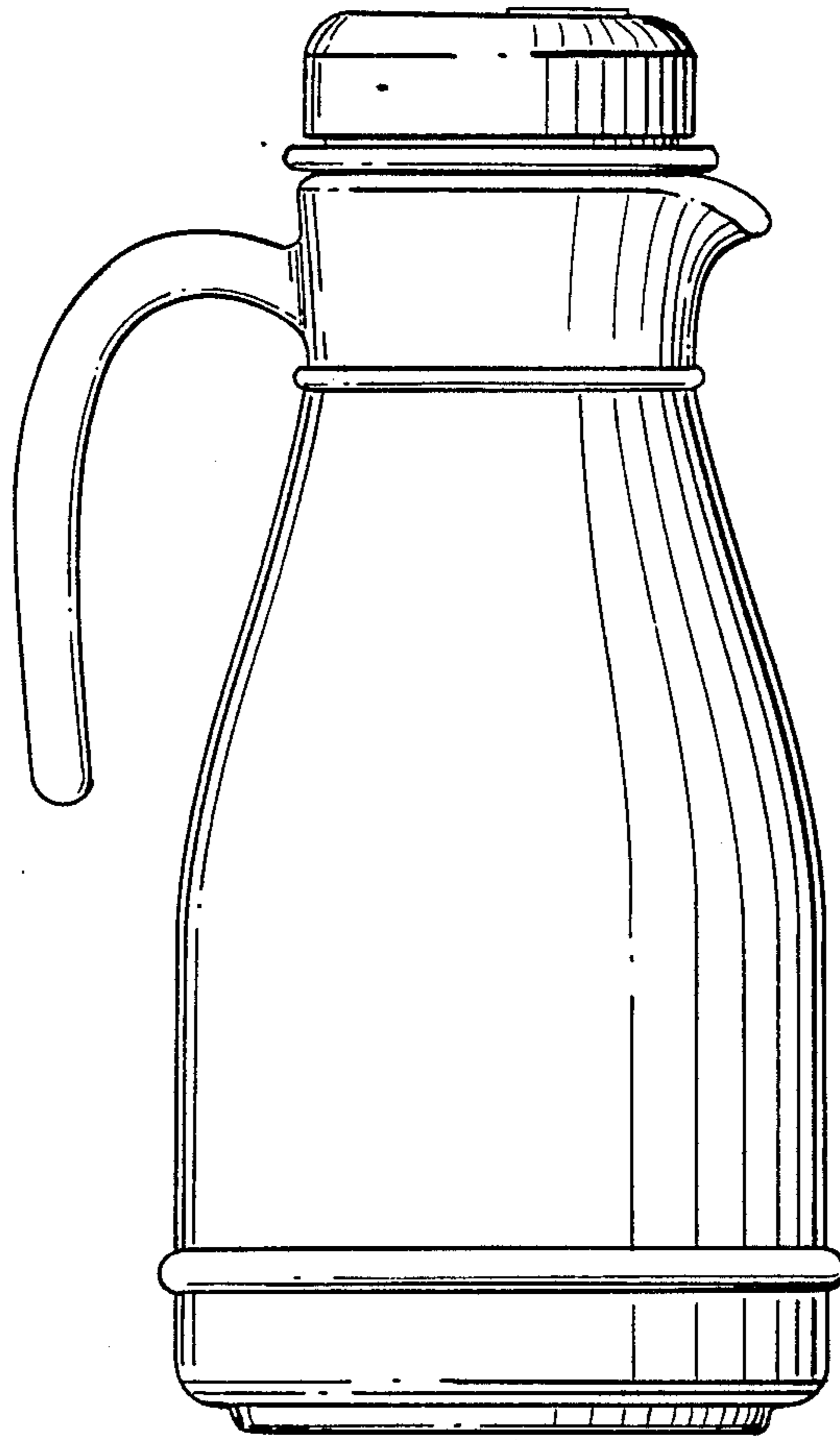


FIG. 5.

